



US00D964086S

(12) **United States Design Patent**
Zhou

(10) **Patent No.:** **US D964,086 S**
(45) **Date of Patent:** **** Sep. 20, 2022**

(54) **OVEN**

(71) Applicant: **FOSHAN HANSHI HEATING EQUIPMENT MANUFACTURE CO., LTD.**, Foshan (CN)

(72) Inventor: **Ming Zhou**, Foshan (CN)

(**) Term: **15 Years**

(21) Appl. No.: **29/839,934**

(22) Filed: **May 25, 2022**

(51) **LOC (13) Cl.** **07-02**

(52) **U.S. Cl.**
USPC **D7/337; D7/339; D7/348**

(58) **Field of Classification Search**
USPC D7/323, 327, 332, 334–337, 338, 339, D7/347–348, 350.1, 350.2, 367; D23/342, 343, 348–350
CPC . A47J 37/0623; A47J 37/0664; A47J 37/0658
See application file for complete search history.

(56) **References Cited**

U.S. PATENT DOCUMENTS

D862,969 S *	10/2019	Tapaninaho	D7/339
D880,217 S *	4/2020	Tseng	D7/348
D887,767 S *	6/2020	Huang	D7/323
D897,142 S *	9/2020	Huang	D7/323
D909,551 S *	2/2021	Wu	D23/342
D925,962 S *	7/2021	Tapaninaho	D7/332
D929,170 S *	8/2021	Wu	D7/348
D931,029 S *	9/2021	Gozney	D7/332
D931,030 S	9/2021	Shao		
D931,673 S	9/2021	Shao		
D939,883 S	1/2022	Bonfiglioli		
D947,591 S *	4/2022	Gozney	D7/332
2020/0345176 A1 *	11/2020	Bert	A47J 37/0658

OTHER PUBLICATIONS

Future Gadgets, 6 Best Pizza Ovens in 2021, Apr. 4, 2020, Youtube, <https://www.youtube.com/watch?v=yEbCRpM3PnQ> (Year: 2020).*
Pellethead, Smokin' PoBoy Portable Outdoor Wood Fired Pizza Oven, Apr. 12, 2021, Amazon, <https://www.amazon.com/Pellethead-Smokin-Charcoal-Pellet-Pizza/dp/B0929CWM7T> (Year: 2021).*
Bertello, Outdoor Pizza Oven, Jun. 14, 2020, Amazon, <https://www.amazon.com/Bertello-Outdoor-Pizza-Black-Combo/dp/B08B5HZ3CN> (Year: 2020).*
Big Horn Outdoors, Pizza Ovens Wood Pellet, 2021, Amazon, <https://www.amazon.com/BIG-HORN-OUTDOORS-Portable-Stainless/dp/B08T9HMMWC> (Year: 2021).*
Bakebros, Outdoor Pizza Oven, Jun. 30, 2021, Amazon, <https://www.amazon.com/Food-Party-Portable-Gas-Fired-Thermometer/dp/B0989VK3X1> (Year: 2021).*

(Continued)

Primary Examiner — Brett Miller

(74) *Attorney, Agent, or Firm* — Runit Ranjit Kanakia

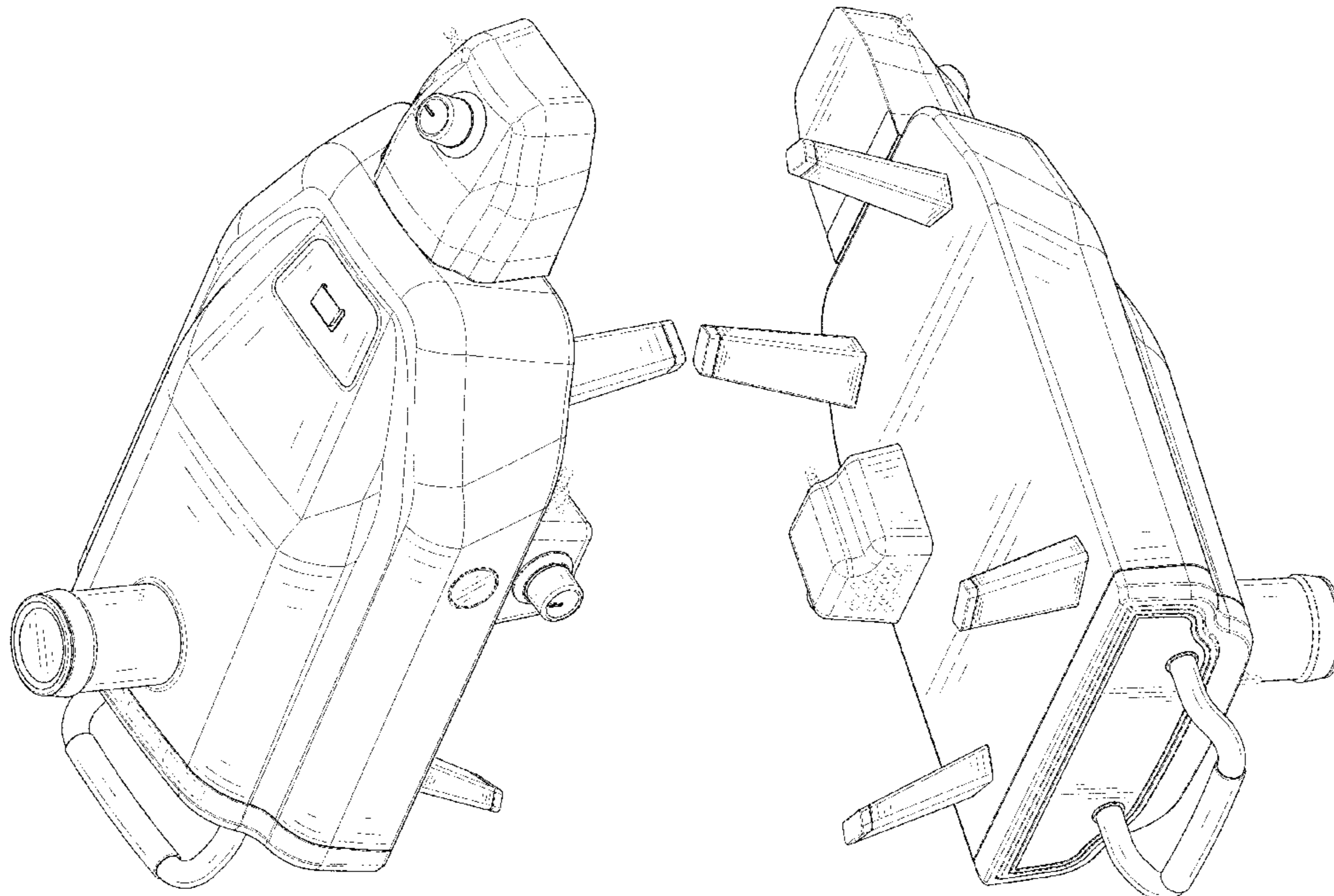
(57) **CLAIM**

The ornamental design for an oven, as shown and described.

DESCRIPTION

FIG. 1 is a first perspective view of an oven showing my new design;
FIG. 2 is a second perspective view thereof;
FIG. 3 is a front view thereof;
FIG. 4 is a back view thereof;
FIG. 5 is a left side view thereof;
FIG. 6 is a right side view thereof;
FIG. 7 is a top view thereof; and,
FIG. 8 is a bottom view thereof.
The broken lines shown in the drawings depict portions of the oven that form no part of the claimed design.

1 Claim, 8 Drawing Sheets



(56)

References Cited

OTHER PUBLICATIONS

Mimiuo, Outdoor Gas Pizza Ovens, Nov. 21, 2020, Amazon, <https://www.amazon.com/only-fire-Mimiuo-Portable-Foldable/dp/B08CDHLG3Q> (Year: 2020).*

Deco Chef, Outdoor Pizza Oven, May 12, 2021, Amazon, https://www.amazon.com/dp/B08GGP7KN6?pd_rd_i=B08GGP7KN6 (Year: 2021).*

Examiner Prepared, Foreign Registrations and Patents for Pizza Ovens, Apr. 18, 2022 and earlier, Questel Orbit, <https://www.orbit.com/export/QPTUJ458/pdf2/4af9d295-b97b-4e32-8c8a-a23990b2cfe8-190234.pdf> (Year: 2022).*

* cited by examiner

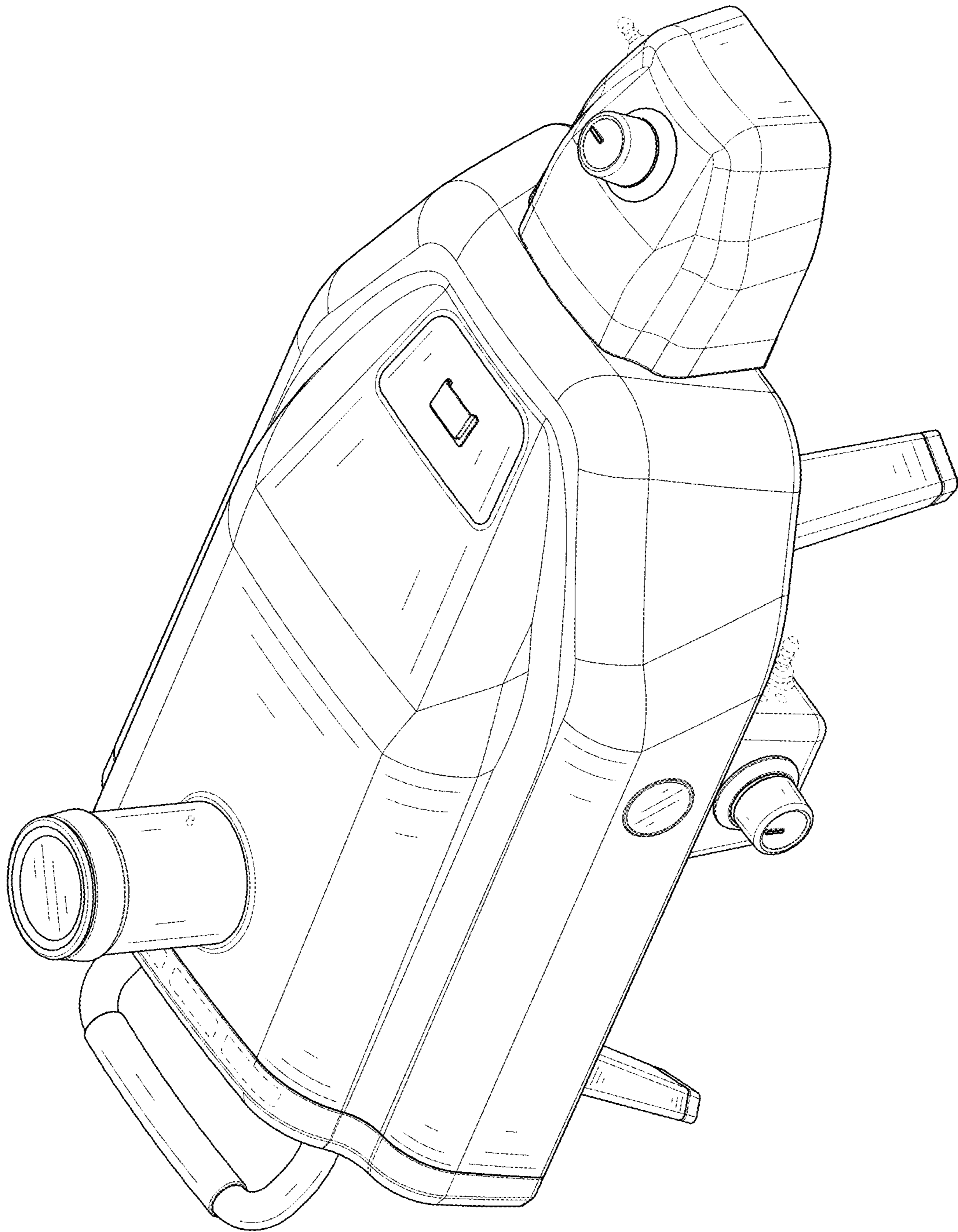


FIG. 1

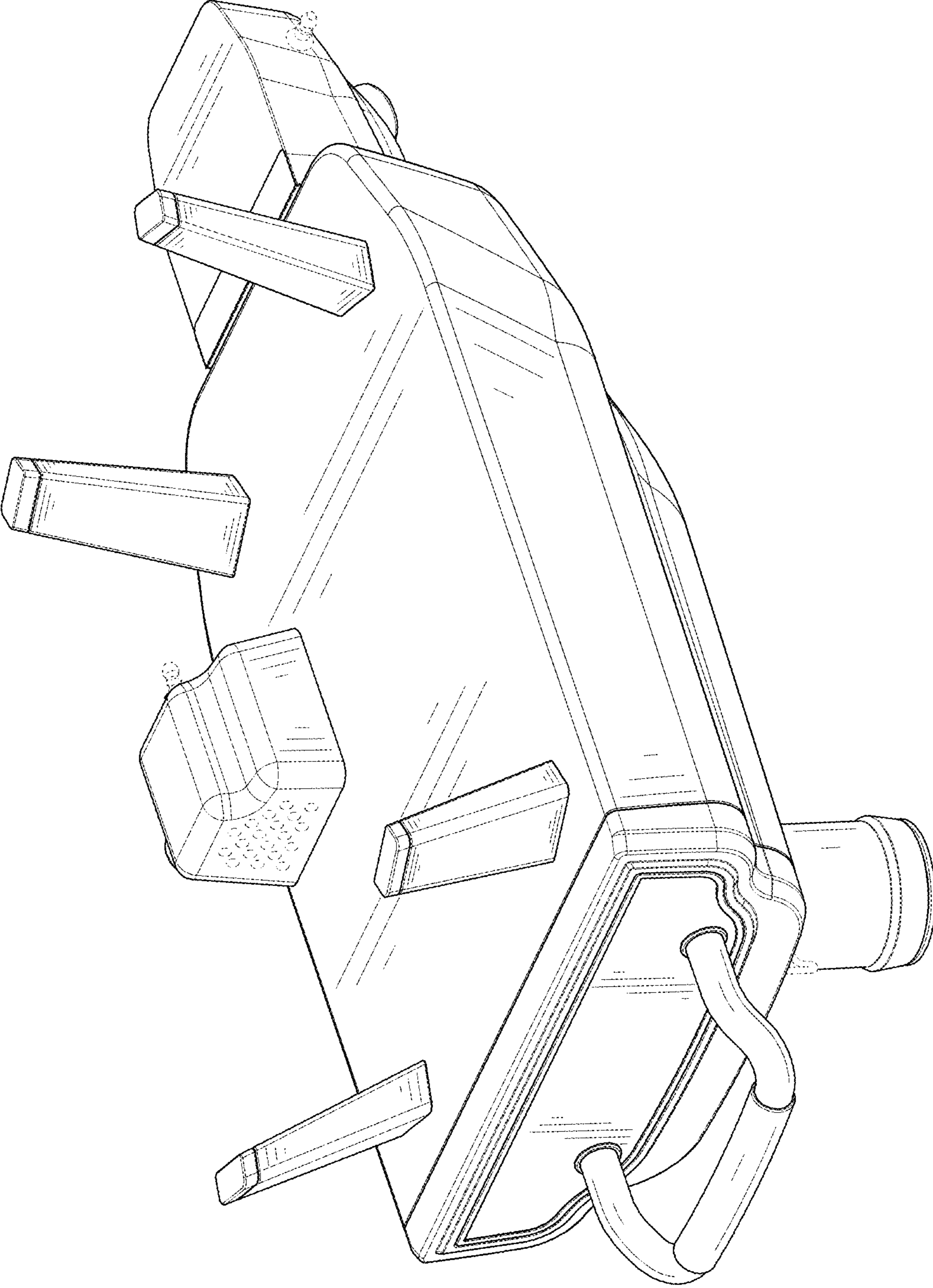


FIG. 2

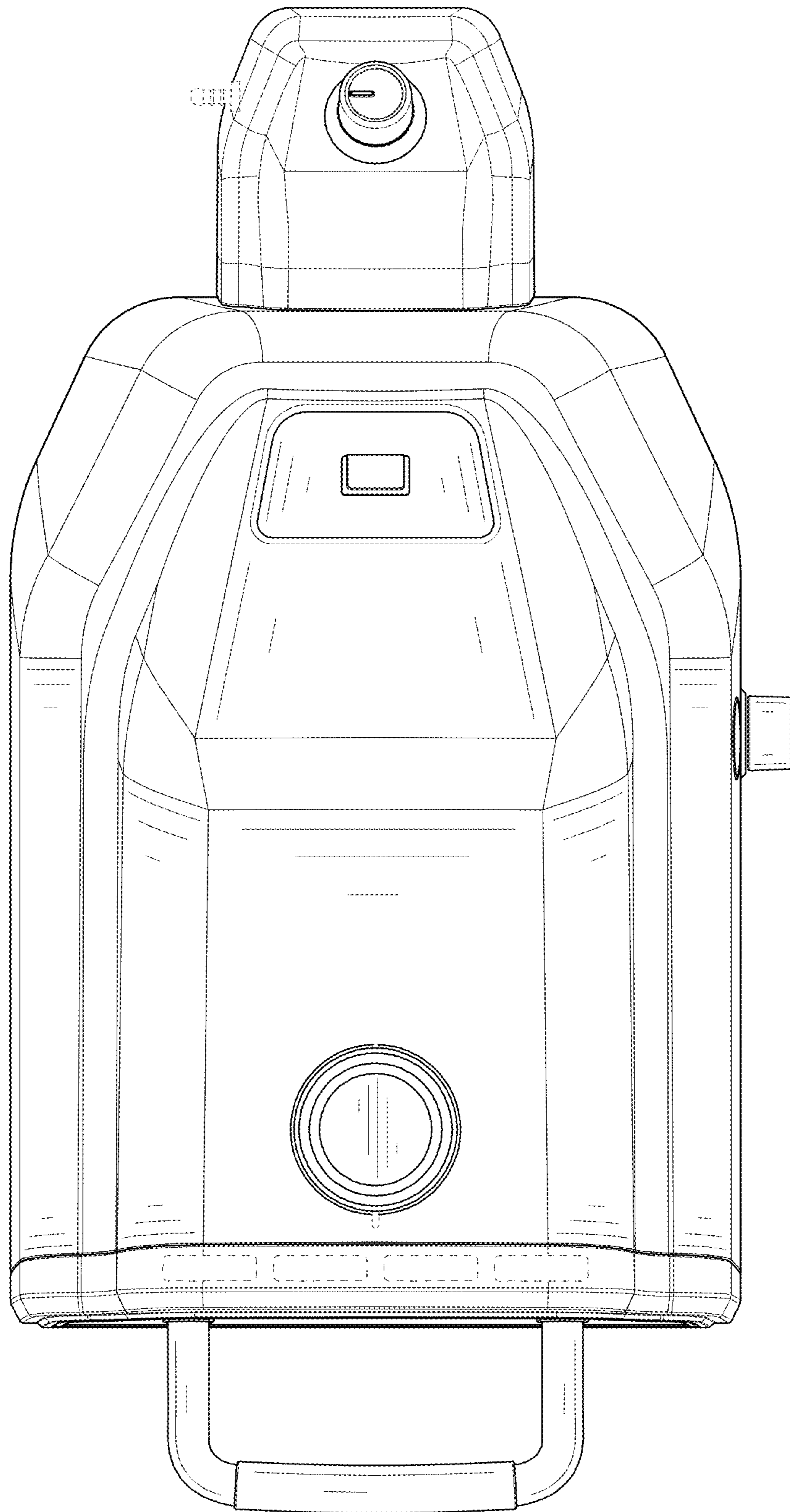


FIG. 3

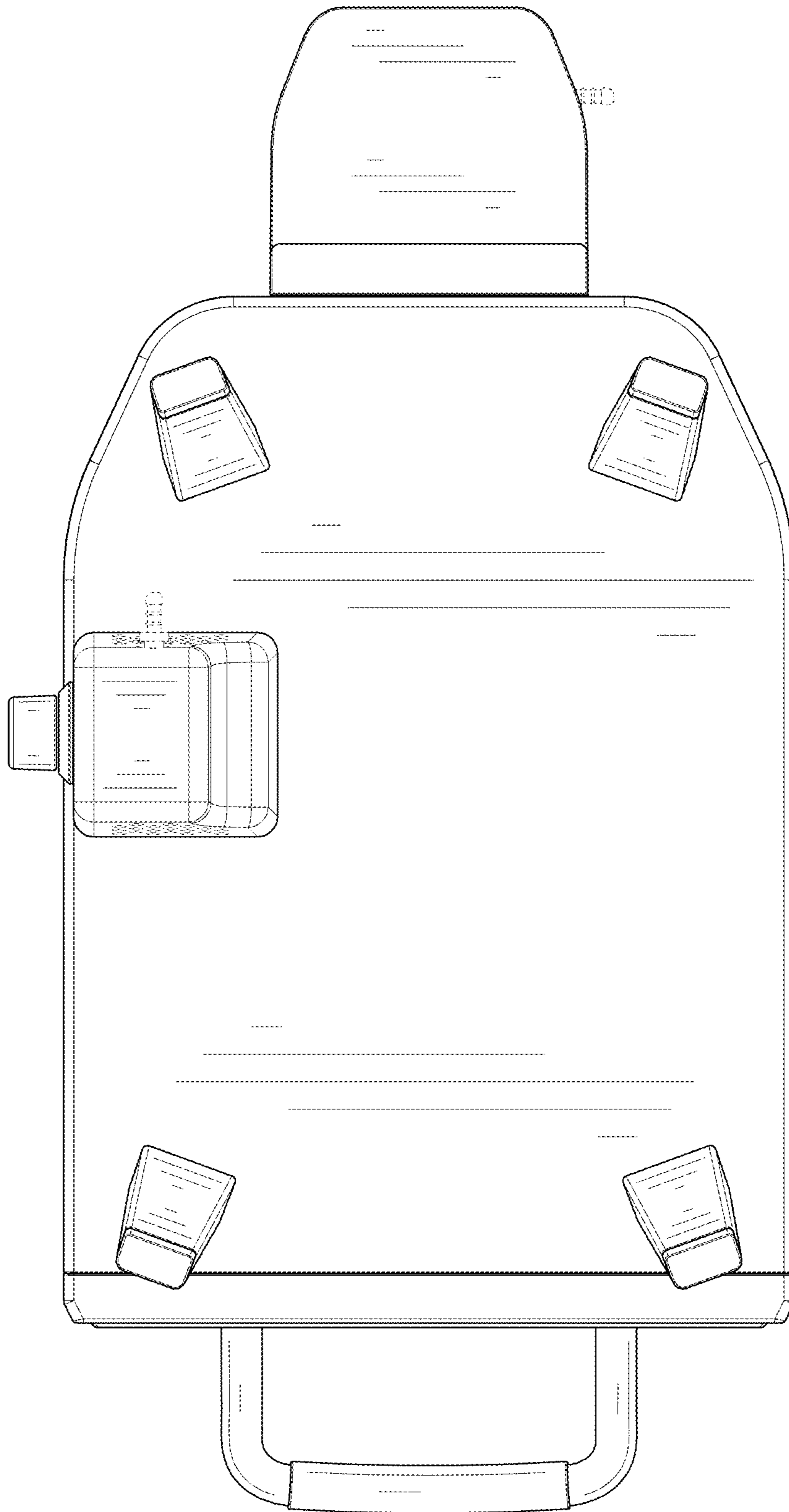


FIG. 4

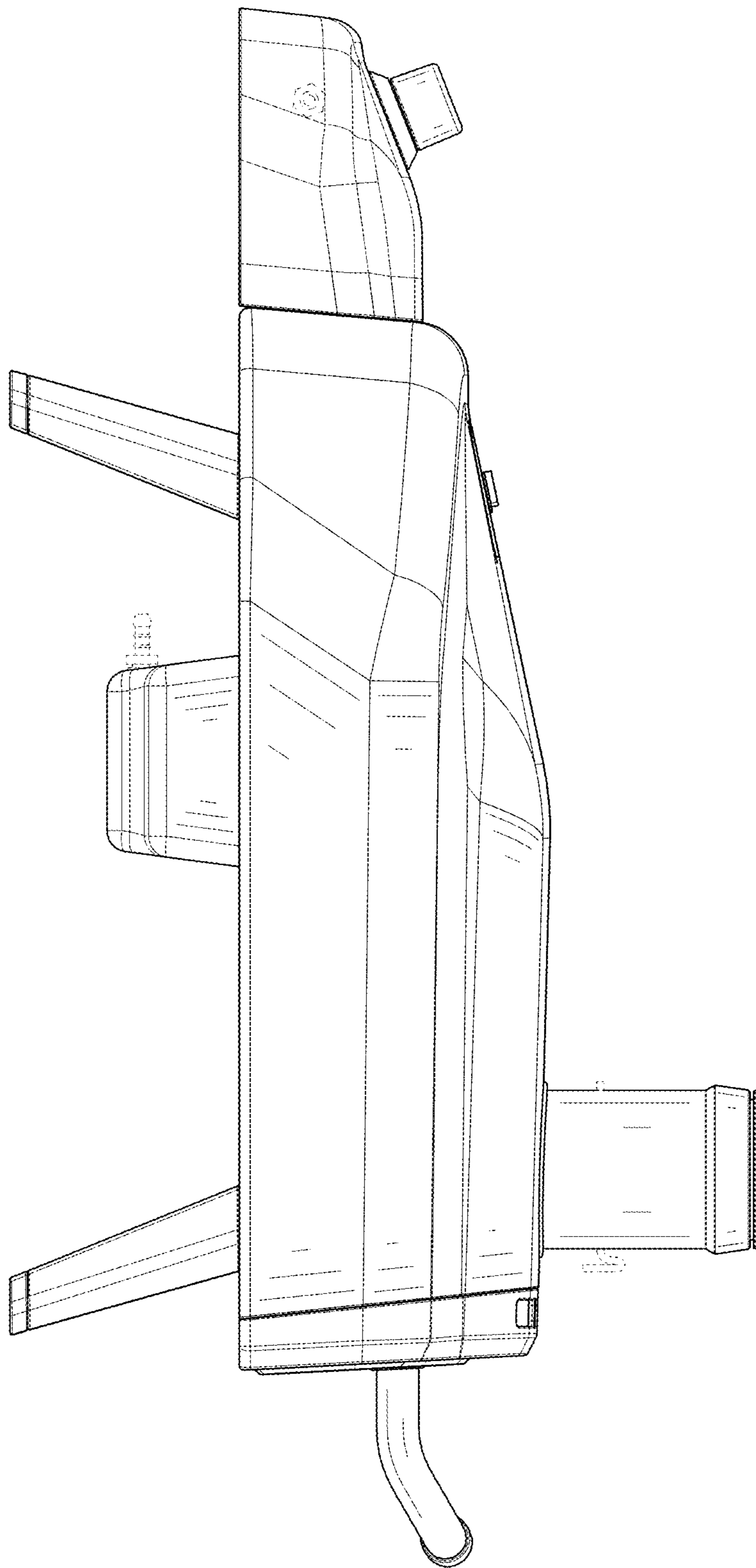


FIG. 5

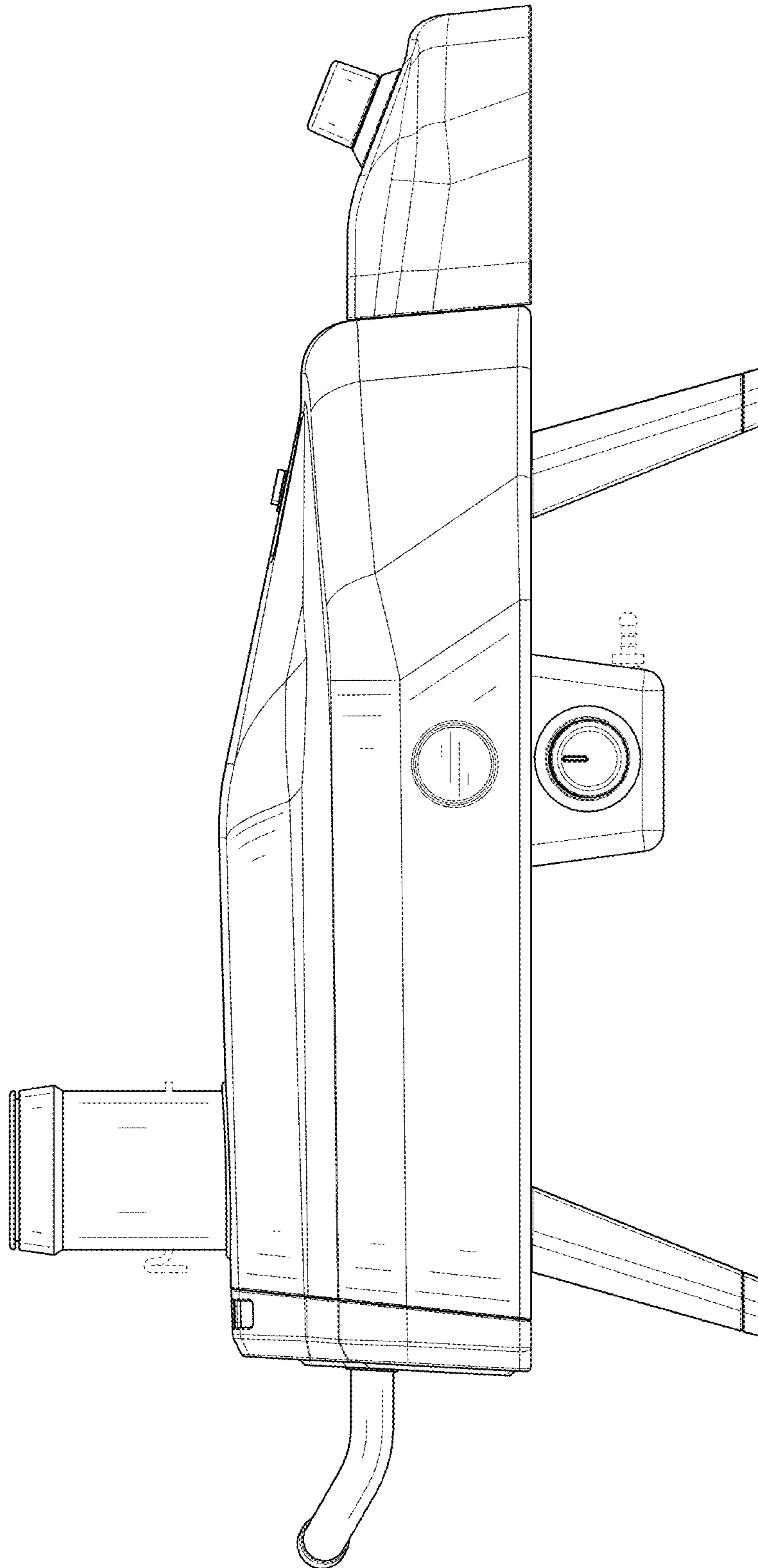


FIG. 6

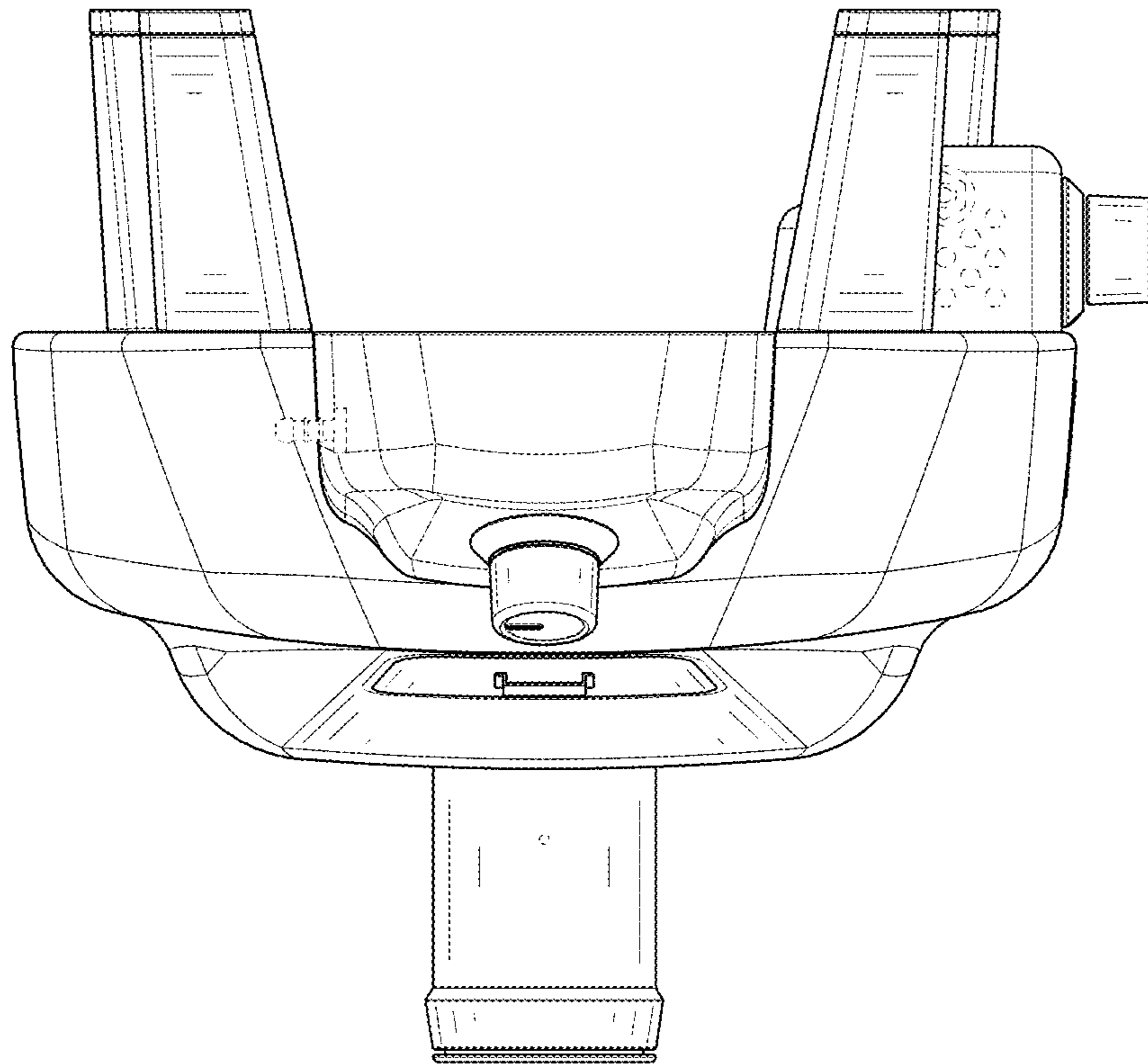


FIG. 7

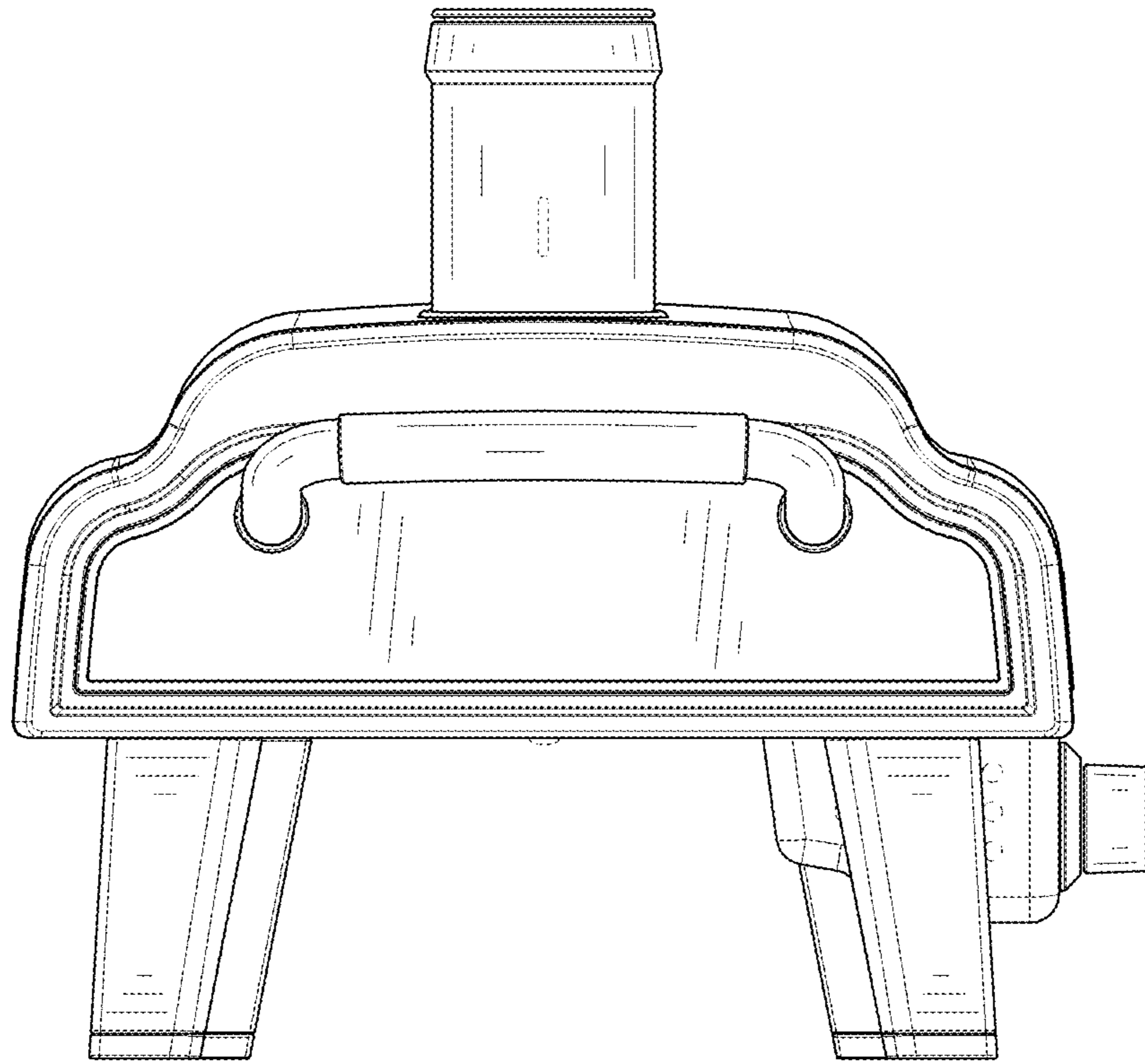


FIG. 8