

US00D964084S

(12) **United States Design Patent**  
**Hoskin**

(10) **Patent No.:** **US D964,084 S**

(45) **Date of Patent:** **\*\* Sep. 20, 2022**

(54) **COOKSTOVE**

(71) Applicant: **Brice J. Hoskin**, Crested Butte, CO  
(US)

(72) Inventor: **Brice J. Hoskin**, Crested Butte, CO  
(US)

(\*\*) Term: **15 Years**

(21) Appl. No.: **29/754,658**

(22) Filed: **Nov. 12, 2020**

(51) **LOC (13) Cl.** ..... **07-02**

(52) **U.S. Cl.**  
USPC ..... **D7/332**

(58) **Field of Classification Search**

USPC ..... D7/323, 328-330, 332-351, 354, 358,  
D7/360, 361, 372, 373, 378, 386, 387,  
D7/393, 400, 402, 405-409, 509, 511,  
D7/533, 534, 536, 601, 602, 629, 679,  
D7/700; D23/332, 343

CPC ..... A47J 27/00; A47J 27/004; A47J 27/08;  
A47J 27/086; A47J 27/09; A47J 27/21;  
A47J 33/00; A47J 36/26; A47J 37/06;  
A47J 37/0623; A47J 37/0647; A47J  
37/0652; A47J 37/0658; A47J 37/07;  
A47J 37/0704; A47J 37/0713; A47J  
37/0763; A47J 37/101; A47J 37/108;  
A47J 43/00; A47J 47/00; F24C 1/16;  
F24C 3/00; F24C 3/002; F24C 3/008;  
F24C 3/022; F24C 3/027; F24C 3/08;  
F24C 3/082; F24C 3/085; F24C 3/14;  
F24C 15/10; F24C 15/12; F24C 15/36;  
F24B 1/00; F24B 1/003; F24B 1/18;  
F24B 1/182; Y02A 40/928

See application file for complete search history.

(56) **References Cited**

**U.S. PATENT DOCUMENTS**

1,780,068 A \* 10/1930 Dorman ..... F24B 1/205  
126/29  
D98,885 S \* 3/1936 Pearson ..... F24C 1/16  
D7/332

D100,012 S \* 6/1936 Ford ..... D7/337  
3,103,160 A \* 9/1963 Forniti ..... A47J 37/074  
126/41 R  
D220,150 S \* 3/1971 Roestenburg ..... D7/332  
D253,683 S \* 12/1979 Goetz ..... F24B 1/205  
D7/332  
D254,165 S \* 2/1980 Woodward ..... D7/337

(Continued)

**OTHER PUBLICATIONS**

Lixada Camping Stove, first available Feb. 13, 2017, Amazon UK, [online], [site visited Mar. 11, 2022], Available from internet URL: <https://www.amazon.co.uk/Lixada-Portable-Lightweight-Backpacking-Stainless/dp/B01GFUSIX4> (Year: 2017).\*

(Continued)

*Primary Examiner* — Mary Ann Calabrese

*Assistant Examiner* — Natalya M Rapundalo

(74) *Attorney, Agent, or Firm* — Bradley T Fox

(57) **CLAIM**

The ornamental design for a cookstove, as shown and described.

**DESCRIPTION**

FIG. 1 is a front isometric view of a cookstove, showing my new design;

FIG. 2 is a front elevation view thereof;

FIG. 3 is a rear elevation view thereof;

FIG. 4 is a left side elevation view thereof;

FIG. 5 is a right side elevation view thereof;

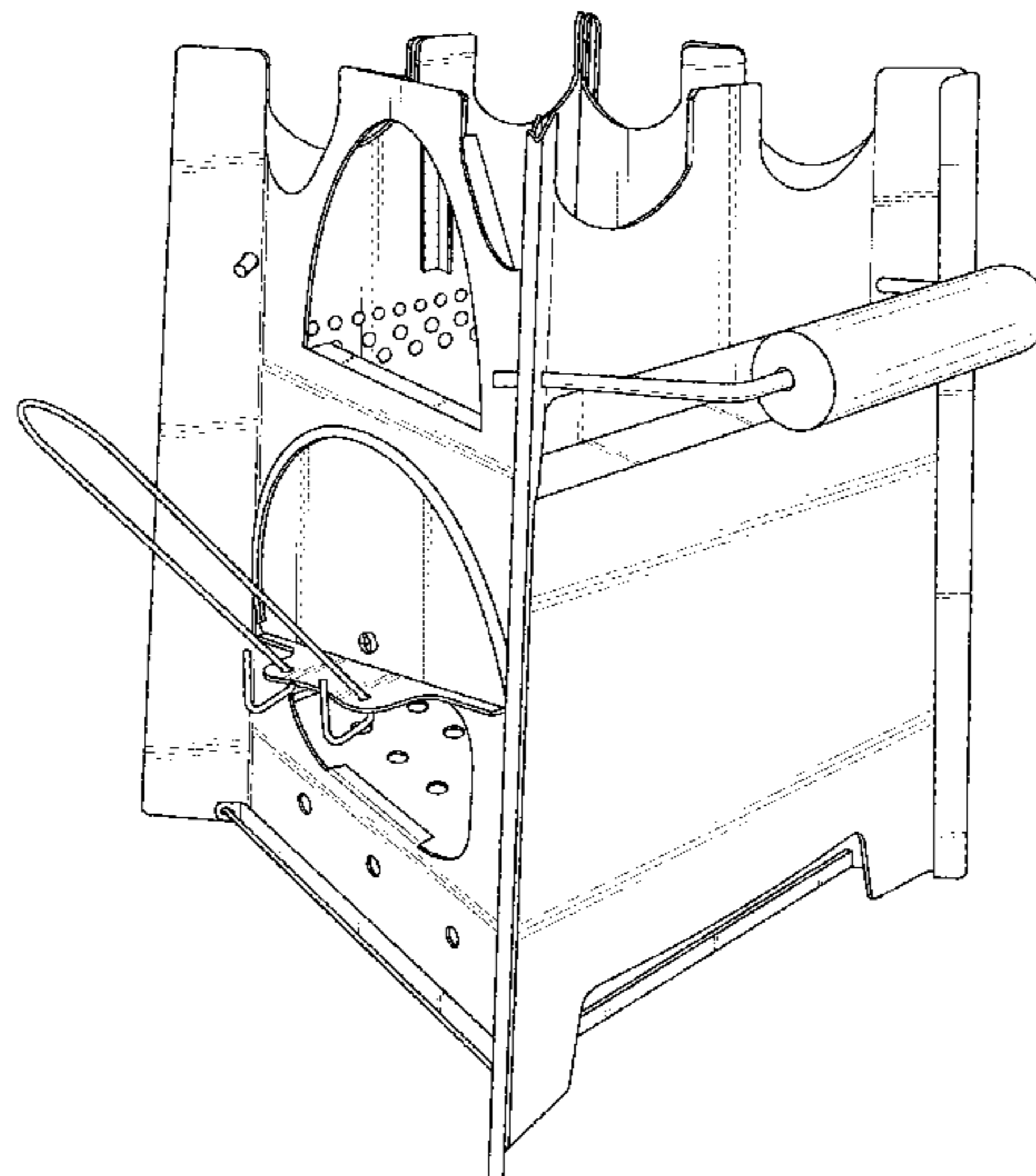
FIG. 6 is a top plan view thereof;

FIG. 7 is a bottom plan view thereof; and,

FIG. 8 is an exploded perspective view thereof.

The broken lines in the drawings are for the purpose of illustrating environmental elements of the cookstove which form no part of the claimed design.

**1 Claim, 8 Drawing Sheets**



(56)

**References Cited**

U.S. PATENT DOCUMENTS

4,971,045 A \* 11/1990 Probst ..... F24B 1/205  
126/29  
D340,613 S \* 10/1993 Kesling ..... D7/337  
D546,114 S \* 7/2007 Reiner ..... F24C 1/16  
D7/332  
D682,006 S \* 5/2013 Merkurieff ..... D7/332  
D701,721 S \* 4/2014 Jan ..... F24B 1/205  
D7/332  
D807,103 S \* 1/2018 Lorenz ..... D7/332  
D843,781 S \* 3/2019 Jaggard ..... D7/402  
D932,229 S \* 10/2021 Raubenheimer ..... D7/337  
D942,202 S \* 2/2022 Kim ..... F24B 1/182  
D7/337  
2009/0020109 A1\* 1/2009 Rheault ..... F24C 1/16  
165/185  
2014/0069418 A1\* 3/2014 Merkurieff ..... A47J 33/00  
126/9 R

2017/0234545 A1\* 8/2017 Barford ..... F24B 1/205  
126/29  
2017/0328571 A1\* 11/2017 Despain ..... F24B 1/182

OTHER PUBLICATIONS

Ganesha Cookstove Assembly Instructions—Nepali, first available Mar. 5, 2018, YouTube, [online], [site visited Mar. 8, 2022], Available from internet URL: <https://www.youtube.com/watch?v=5c92GKN0StY> (Year: 2018).\*

Design No. 306357056, Jul. 29, 2020—China National Intellectual Property Administration (CNIPA) Publication Date—Mar. 2, 2021 Owner—Guo Zhouyin WIPO, available at <https://www3.wipo.int/designdb/en/index.jsp> (Year: 2021).\*

Ganesha Cookstove Project, Ganesha Cookstove Project, [online], [site visited Mar. 8, 2022], Available from internet URL: <https://www.ganeshacookstoveproject.com/> (Year: 2022).\*

\* cited by examiner

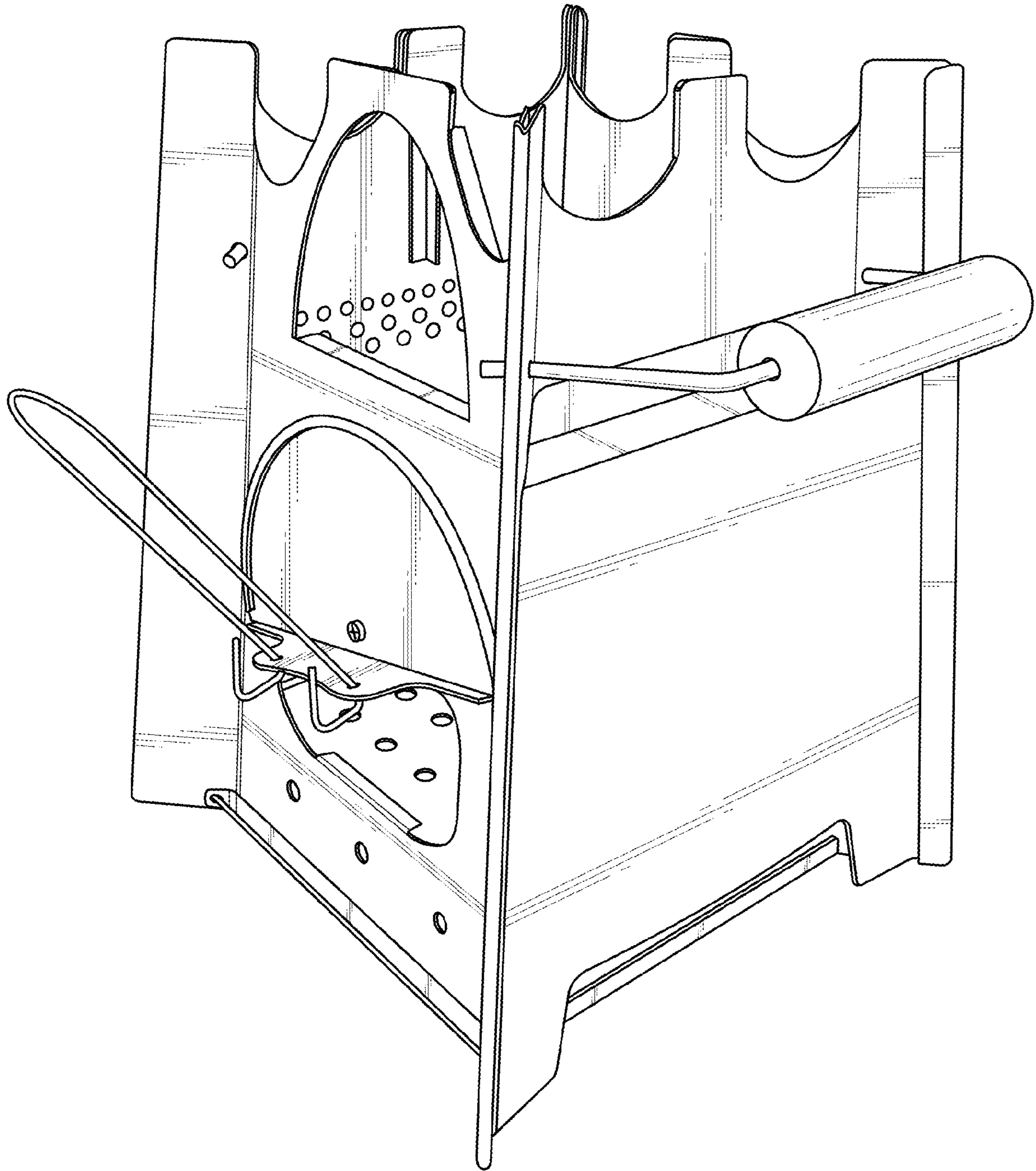


FIG. 1

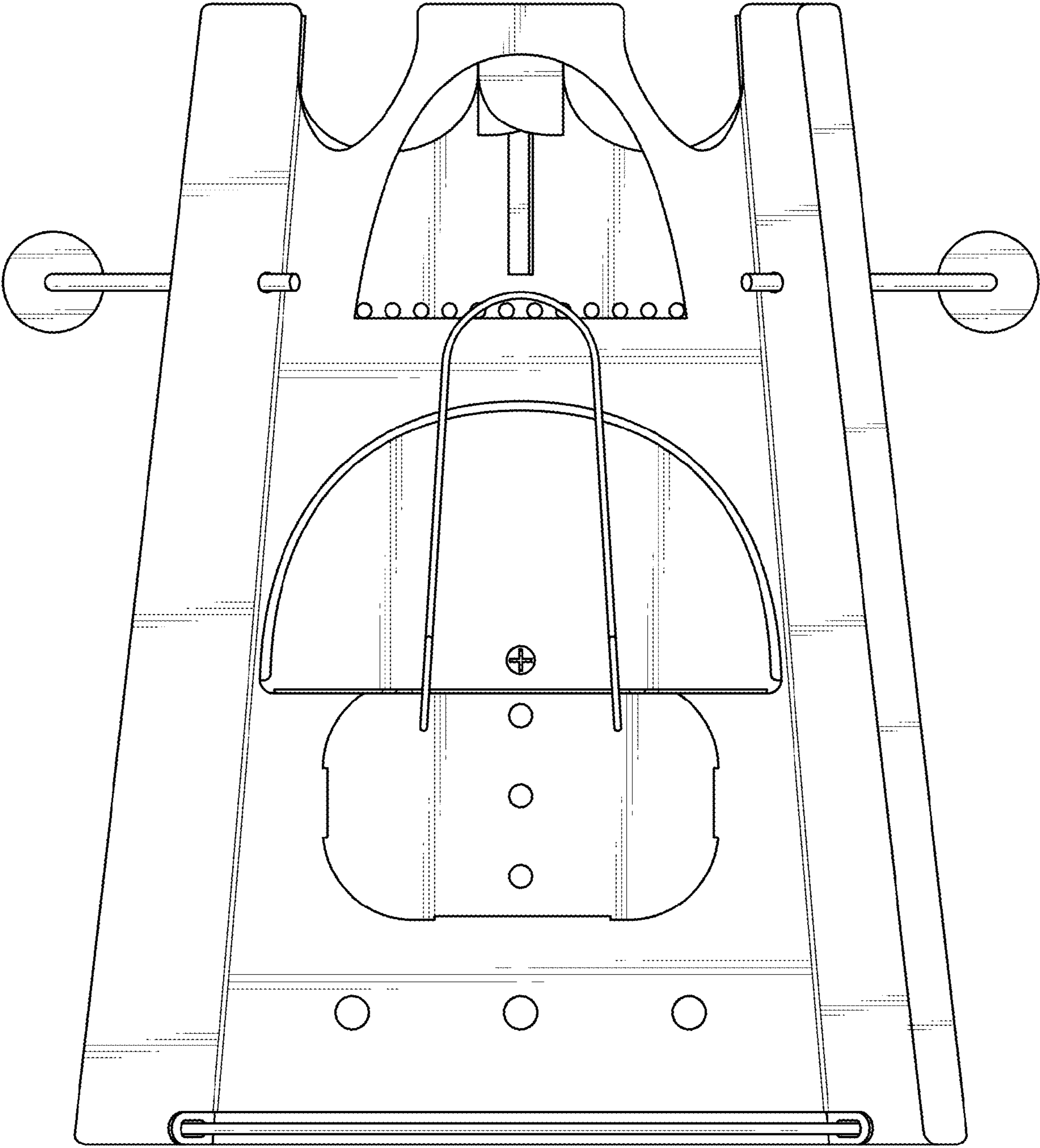


FIG. 2

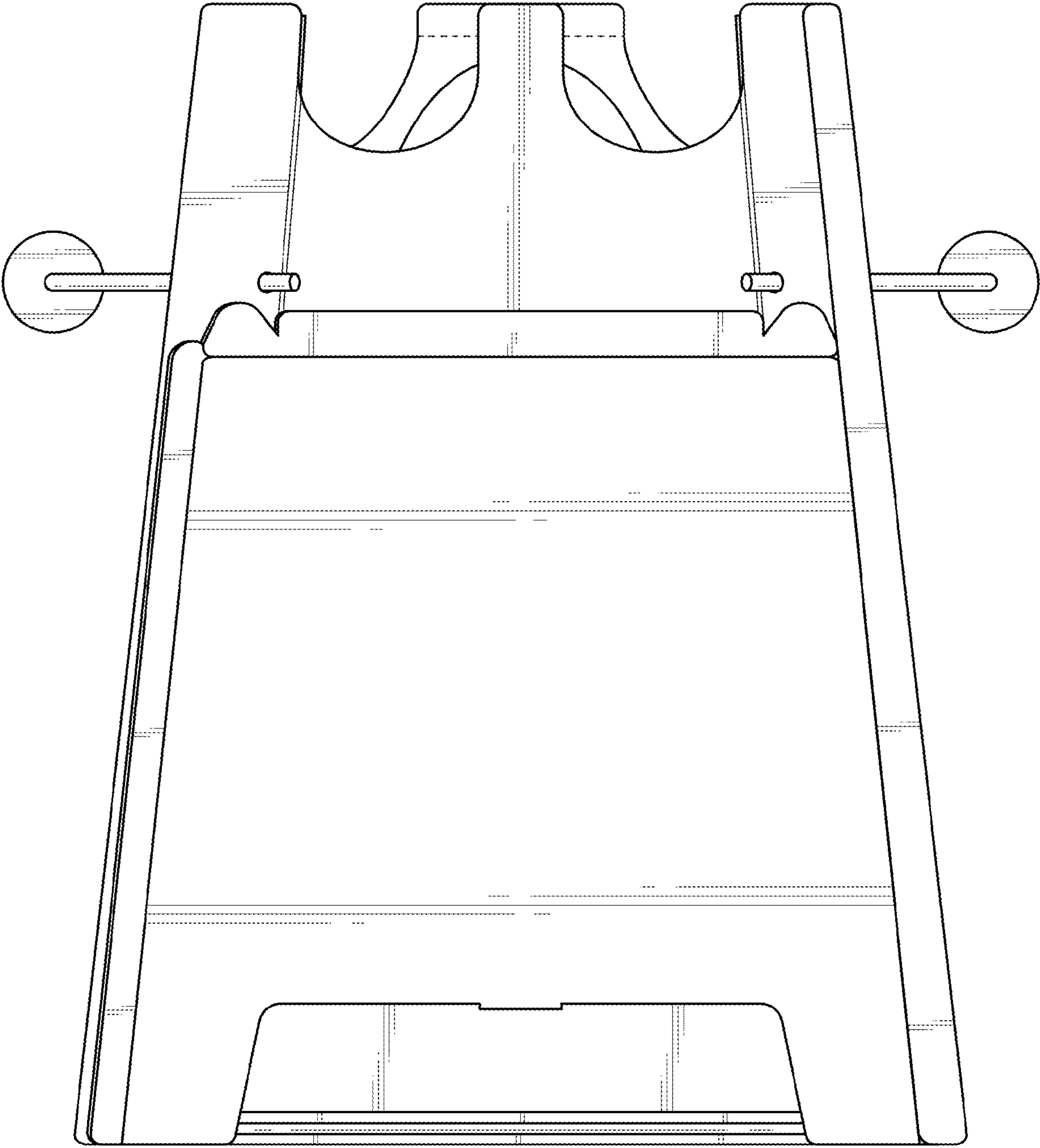


FIG. 3

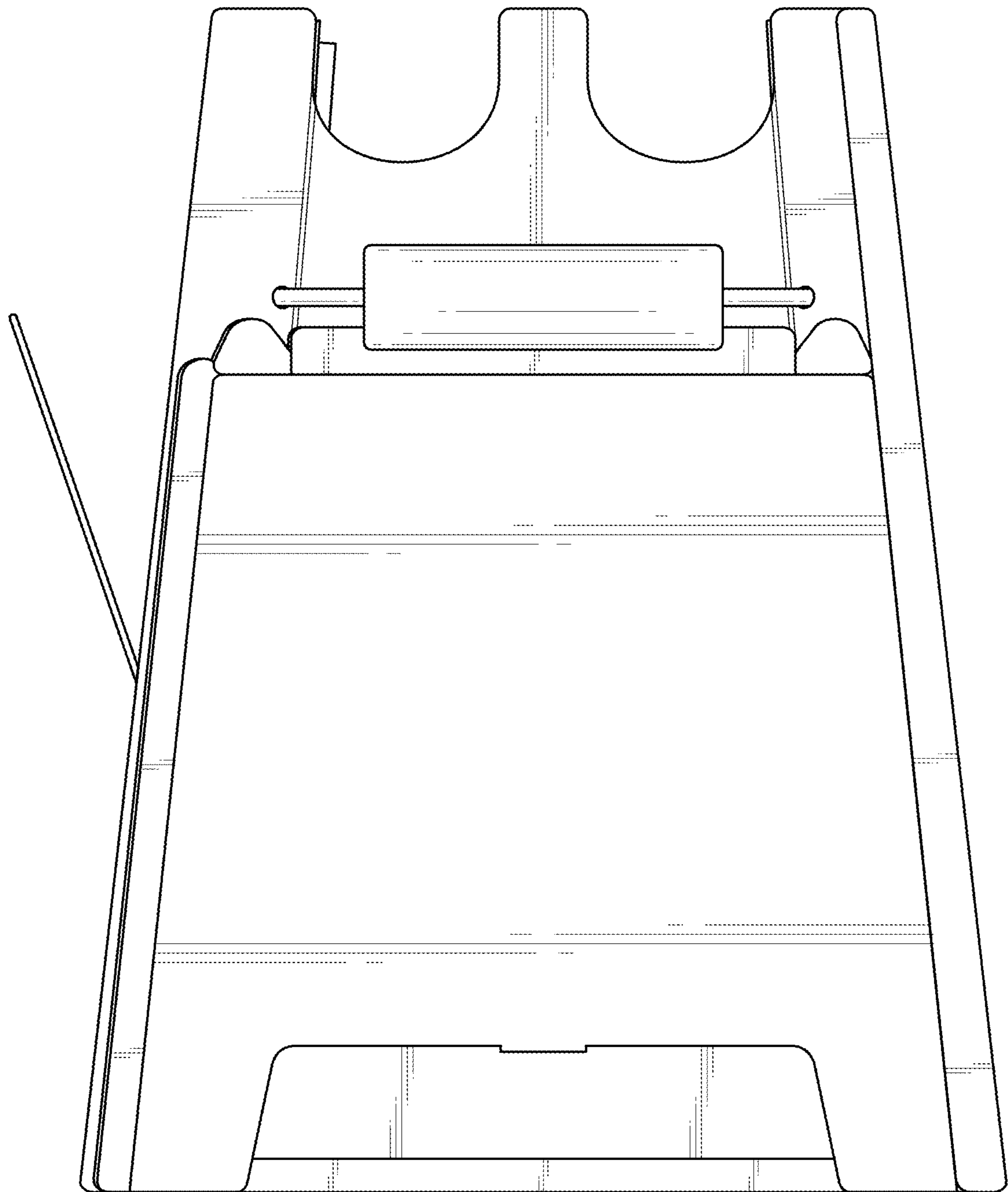


FIG. 4

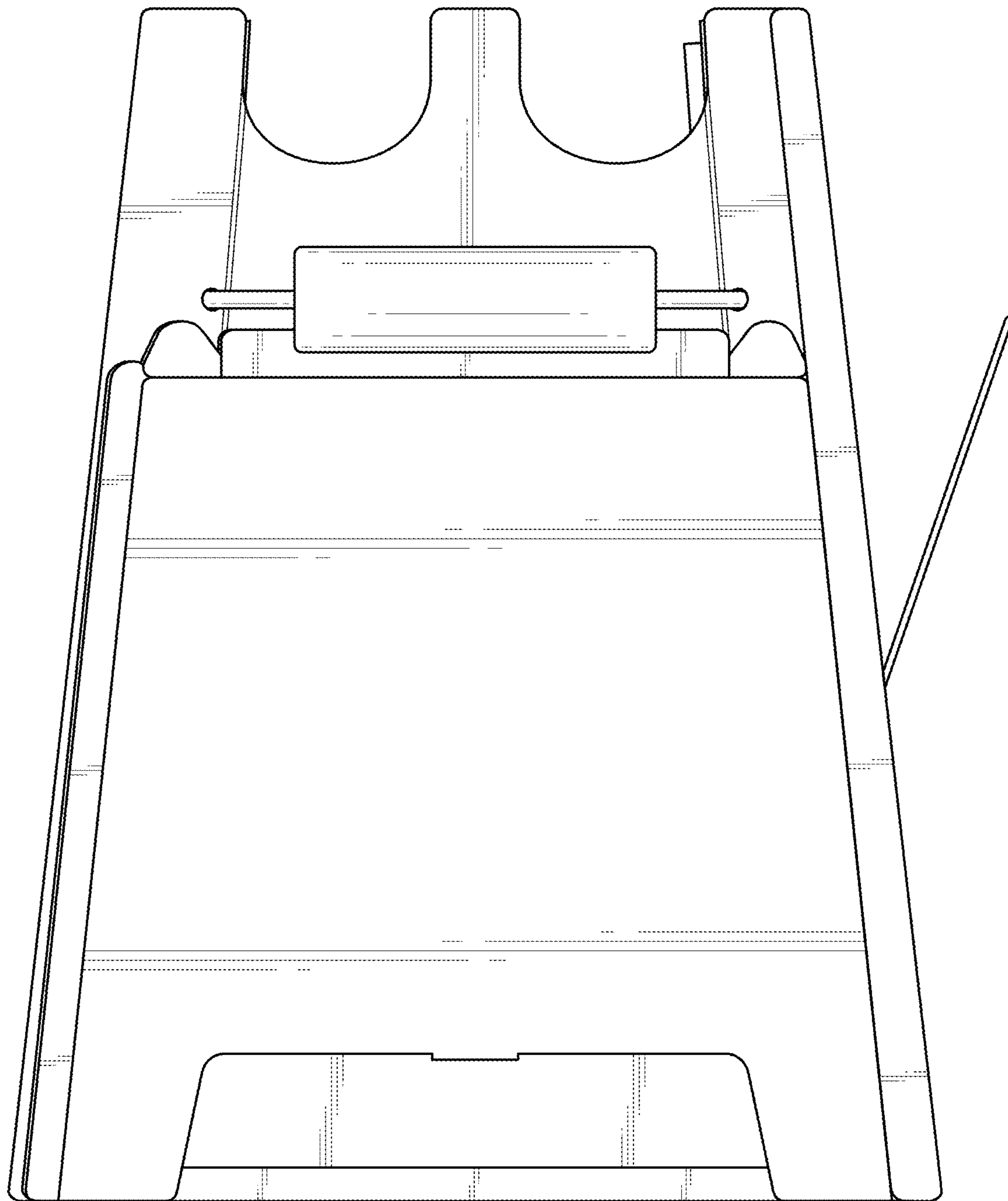


FIG. 5

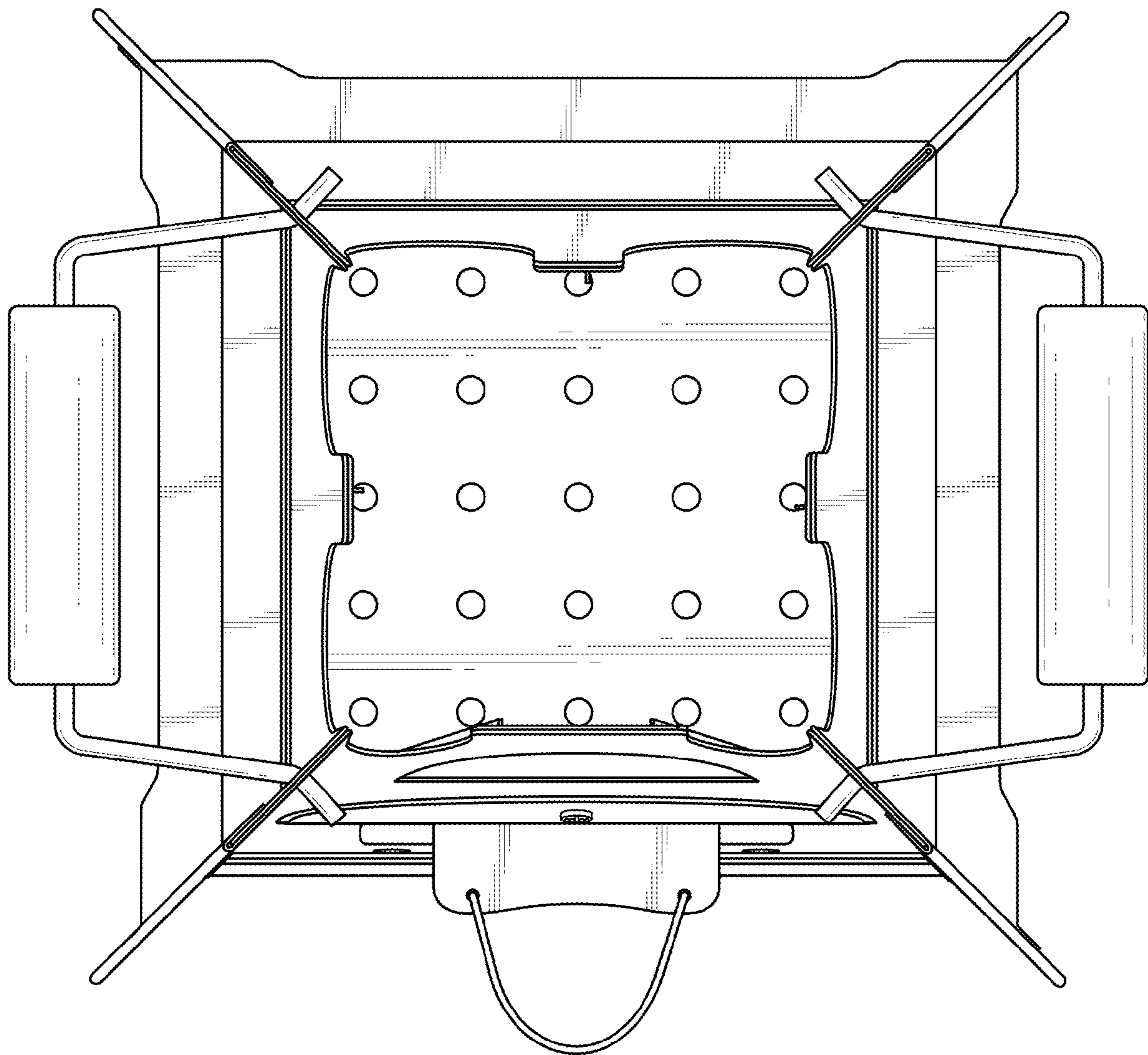


FIG. 6



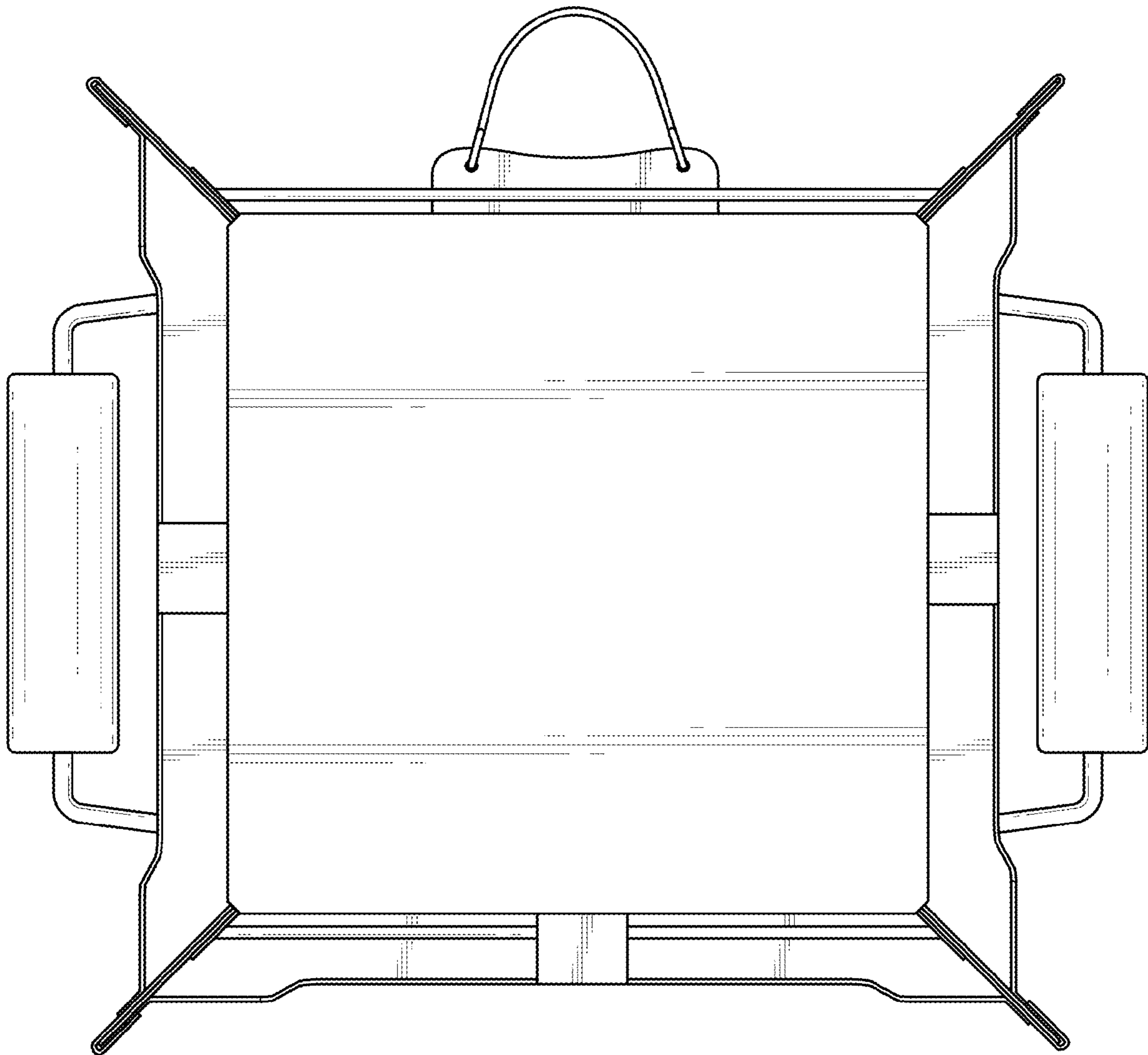


FIG. 7

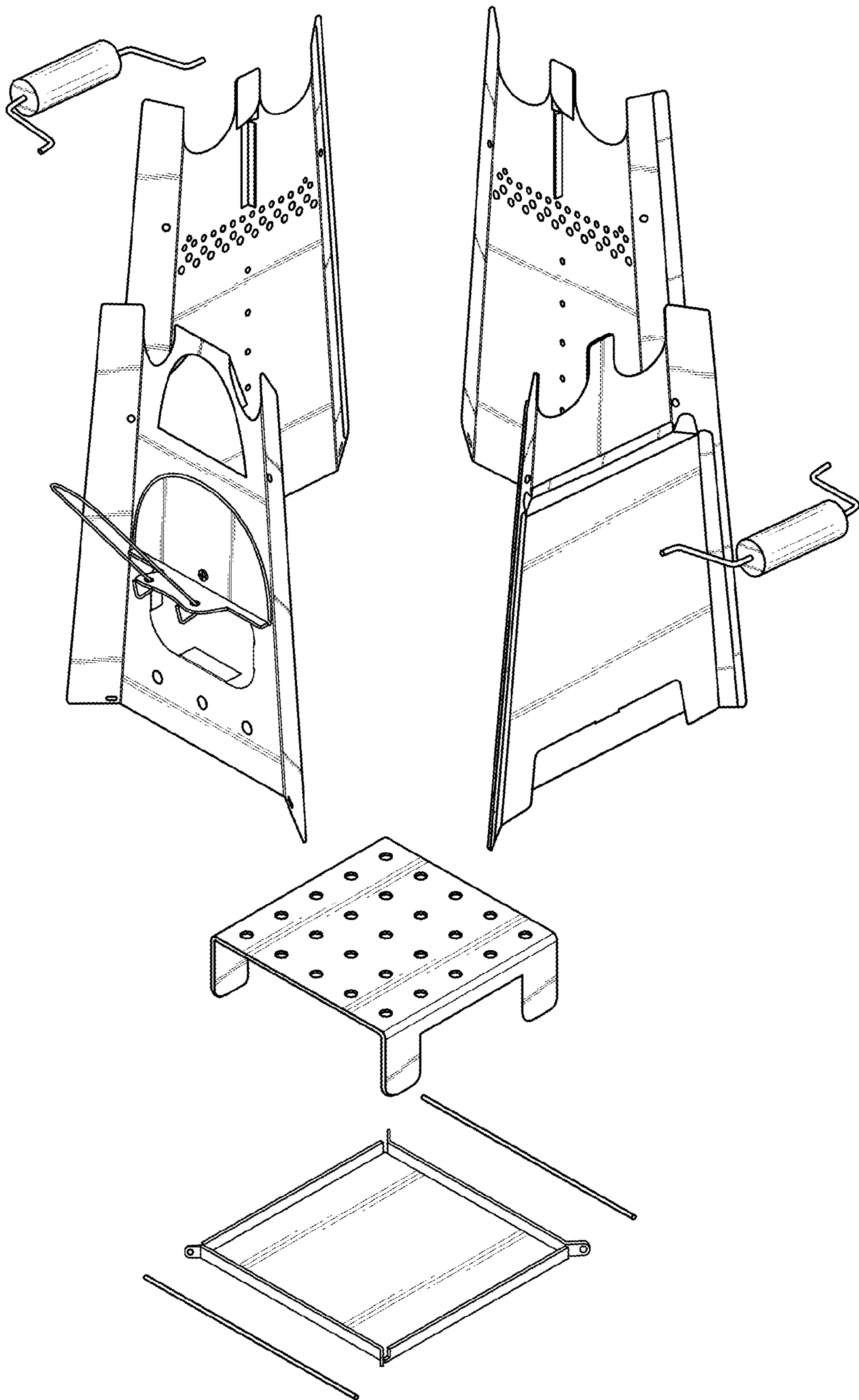


FIG. 8