



US00D964083S

(12) **United States Design Patent**
Chen

(10) **Patent No.:** **US D964,083 S**

(45) **Date of Patent:** **** Sep. 20, 2022**

(54) **JUG**

FOREIGN PATENT DOCUMENTS

(71) Applicant: **Shenzhen Xinyuecheng Technology Co., Ltd.**, Shenzhen (CN)

CN 305932138 * 7/2020
EM 008353759-0001 * 12/2020
EM 008353759-0002 * 12/2020

(72) Inventor: **Jianrong Chen**, Hunan (CN)

OTHER PUBLICATIONS

(**) Term: **15 Years**

(21) Appl. No.: **29/765,783**

Charish, "Mid Century Danish Style Enameled Pitcher After Dansk," 1960s, Accessed May 29, 2022, Charish, www.charish.com/product/2764152/mid-century-danish-style-enameled-pitcher-after-dansk (Year: 1969).*

(22) Filed: **Jan. 12, 2021**

(Continued)

(30) **Foreign Application Priority Data**

Dec. 21, 2020 (EM) 008353759-0001
Dec. 21, 2020 (EM) 008353759-0002

Primary Examiner — Joseph Kukella
Assistant Examiner — Arva P Adams

(51) **LOC (13) Cl.** **07-01**

(57) **CLAIM**

(52) **U.S. Cl.**

The ornamental design for a jug, as shown and described.

USPC **D7/322**; D7/319

DESCRIPTION

(58) **Field of Classification Search**

USPC D7/300, 302, 305, 316–319, 321, 322,
D7/376–378, 392, 392.1, 396.2, 608,
D7/619.1, 622, 629; D9/443

CPC A47J 27/21; A47J 27/21008; A47J
27/21166; A47J 31/00; A47J 31/005;
A47J 31/50; A47J 41/00; A47J 41/0015;
A47J 41/0022; A47J 41/0027; A47J
41/005; A47J 43/04; A47J 43/042; A47J
43/044; A47G 19/12; A47G 19/14; A47G
2019/122

See application file for complete search history.

FIG. 1 is a front and top perspective view of a first embodiment of a jug, showing my new design;
FIG. 2 is a rear, and bottom perspective view thereof;
FIG. 3 is a front elevation view thereof;
FIG. 4 is a rear elevation view thereof;
FIG. 5 is a left side elevation view thereof;
FIG. 6 is a right side elevation view thereof;
FIG. 7 is a top plan view thereof;
FIG. 8 is a bottom plan view thereof;
FIG. 9 is a front and top perspective view of a second embodiment of a jug.
FIG. 10 is a rear and bottom perspective view thereof;
FIG. 11 is a front elevation view thereof;
FIG. 12 is a rear elevation view thereof;
FIG. 13 is a left side elevation view thereof;
FIG. 14 is a right side elevation view thereof;
FIG. 15 is a top plan view thereof; and,
FIG. 16 is a bottom plan view thereof.
The broken lines in the figures illustrate portions of the article that form no part of the claimed design.

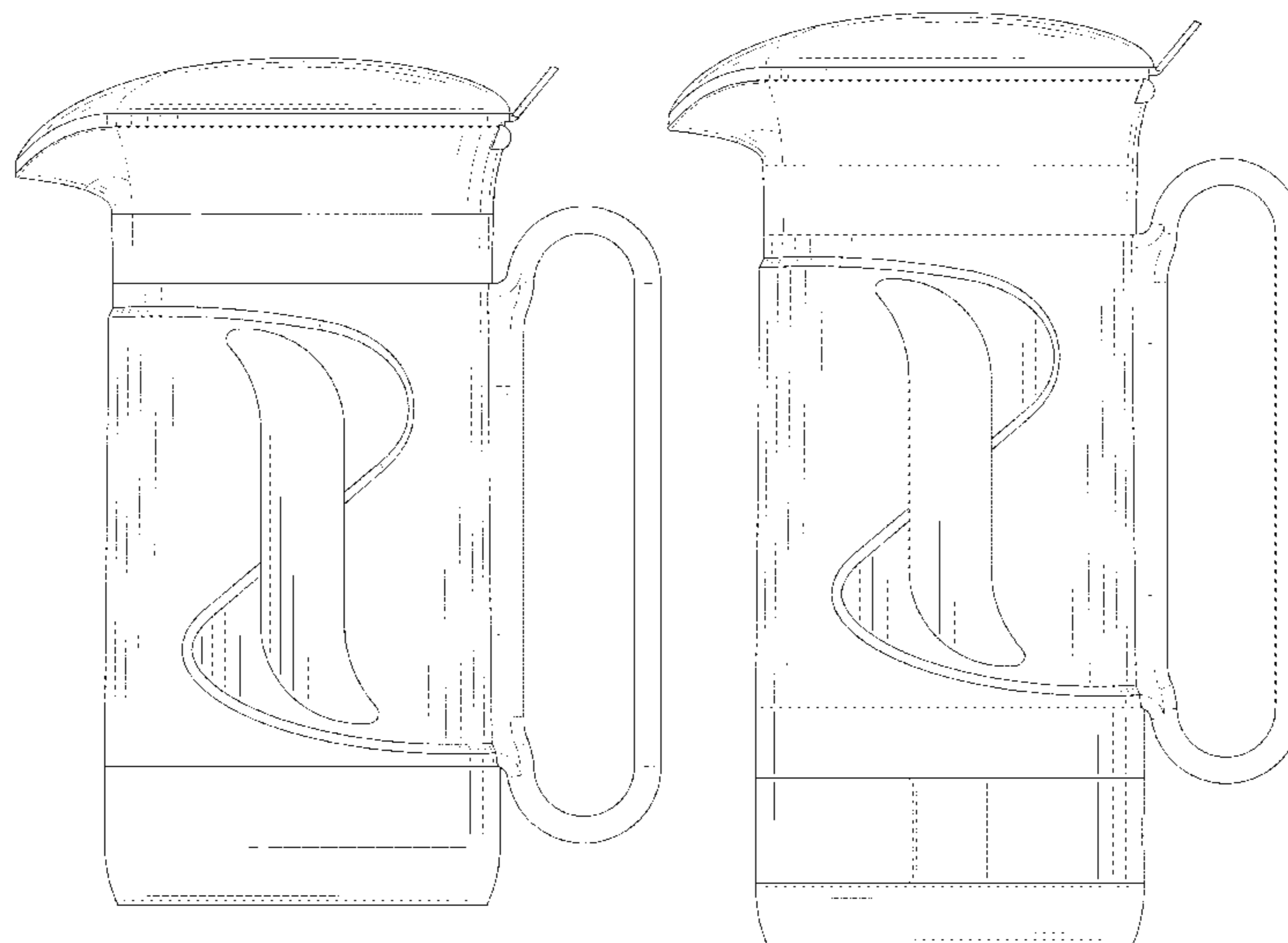
(56) **References Cited**

U.S. PATENT DOCUMENTS

D221,980 S * 9/1971 Armstrong D7/321
D257,524 S * 11/1980 Heinrich D7/536
D295,941 S * 5/1988 Wiinblad D7/319
4,768,664 A * 9/1988 Zimmermann A47J 41/0016
215/352

(Continued)

1 Claim, 16 Drawing Sheets



(56)

References Cited

U.S. PATENT DOCUMENTS

D319,944 S * 9/1991 Adams D7/319
D337,236 S * 7/1993 Sambinelli D7/316
D376,065 S * 12/1996 Ito D7/319
D380,344 S * 7/1997 Laib D7/393
D393,175 S * 4/1998 Chang A47J 41/0016
D7/319
6,123,196 A * 9/2000 Chiu A47J 41/00
206/508
D436,790 S * 1/2001 Saltet D7/319
D439,466 S * 3/2001 Bouhuys D7/319
D450,531 S * 11/2001 McGrath D7/392.1
D461,676 S * 8/2002 Daenen D7/319
D473,092 S * 4/2003 Heiberg D7/319
D498,968 S * 11/2004 Huang D7/319
D666,865 S * 9/2012 Spivey D7/319
D679,537 S * 4/2013 Muspratt-Williams D7/322
D728,318 S * 5/2015 Ma D7/319
D816,384 S * 5/2018 Naden D7/317

OTHER PUBLICATIONS

Gosoit, "Gosoit Hydrogen Water Flask Generator Bottle Maker Machine Hydrogen Water Pitcher," Accessed May 29, 2022, Ubuy, www.ubuy.com.tr/en/catalog/product/view/id/22950740/s/dp-gosoit-hydrogen-alkaline-water-maker-machine-gener (Year: 2022).*

* cited by examiner

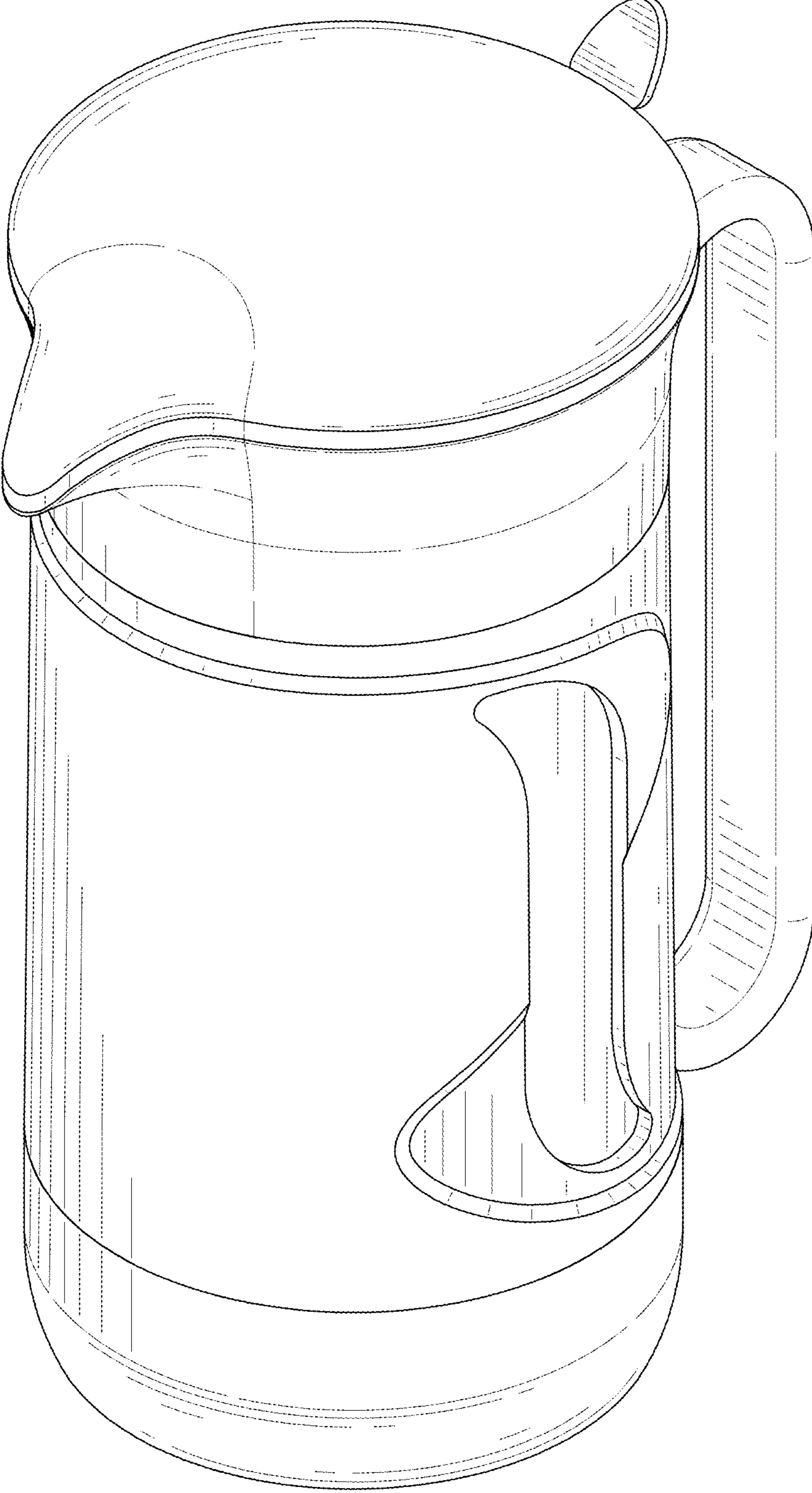


FIG. 1

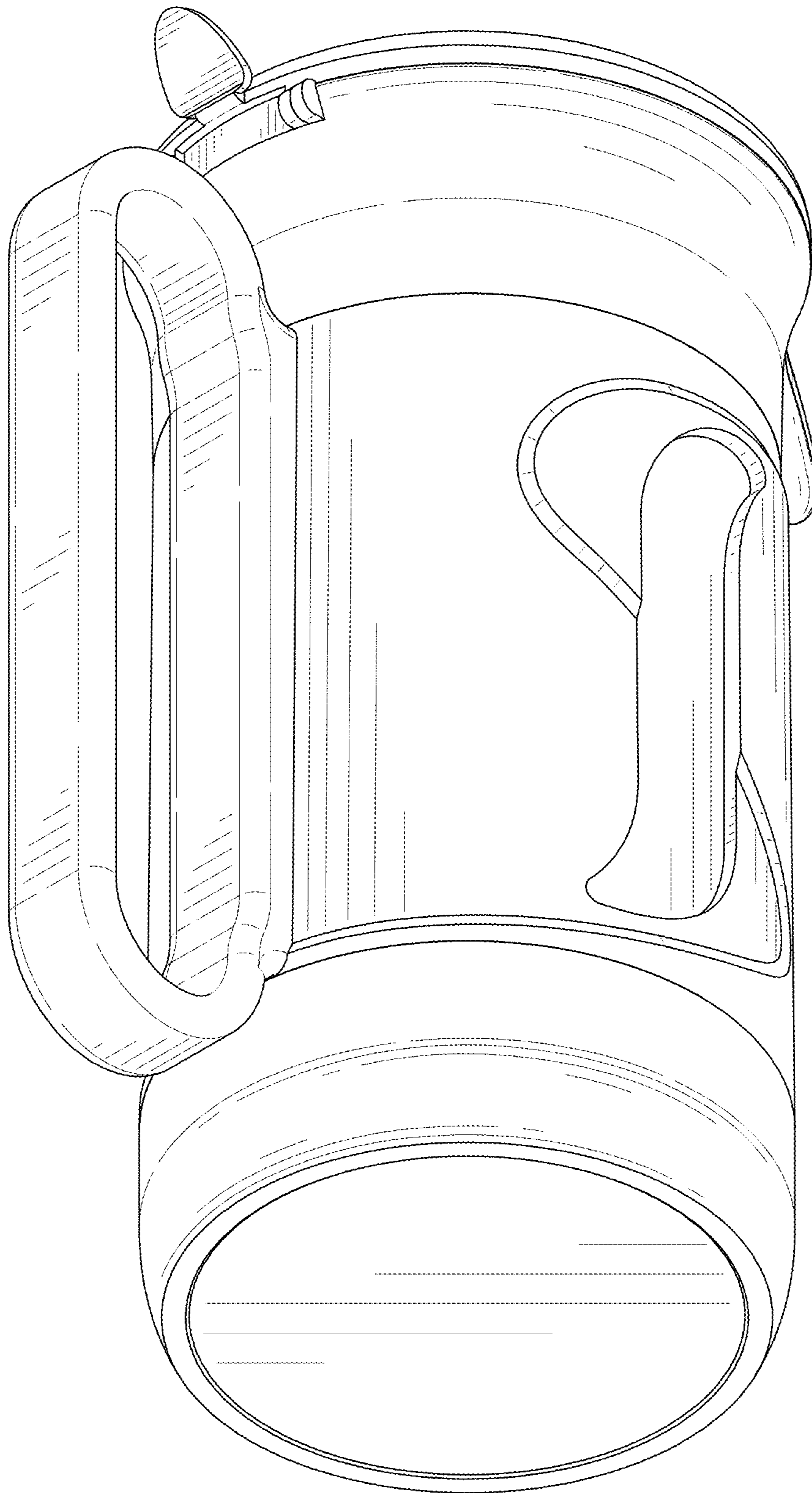


FIG. 2

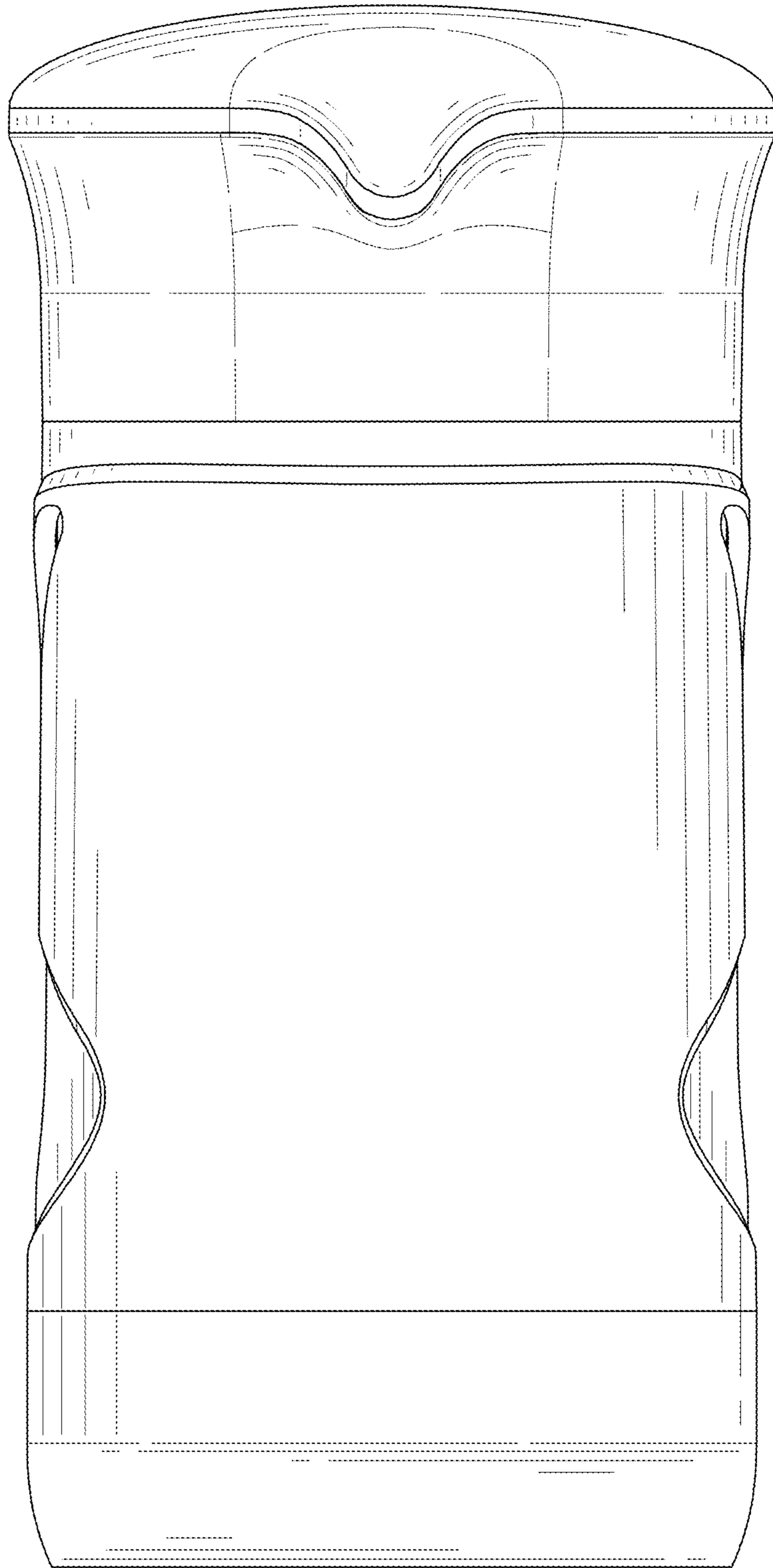


FIG. 3

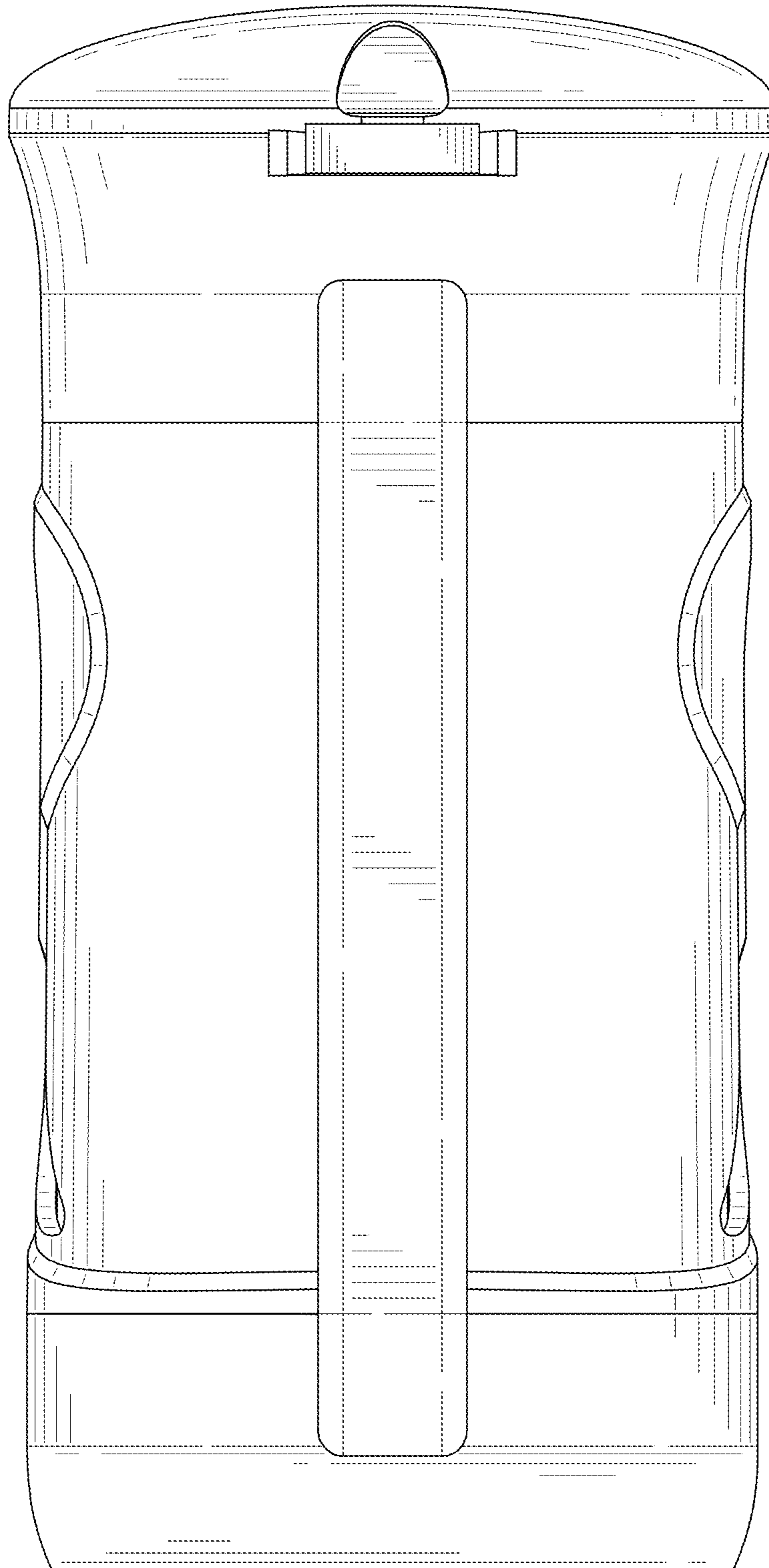


FIG. 4

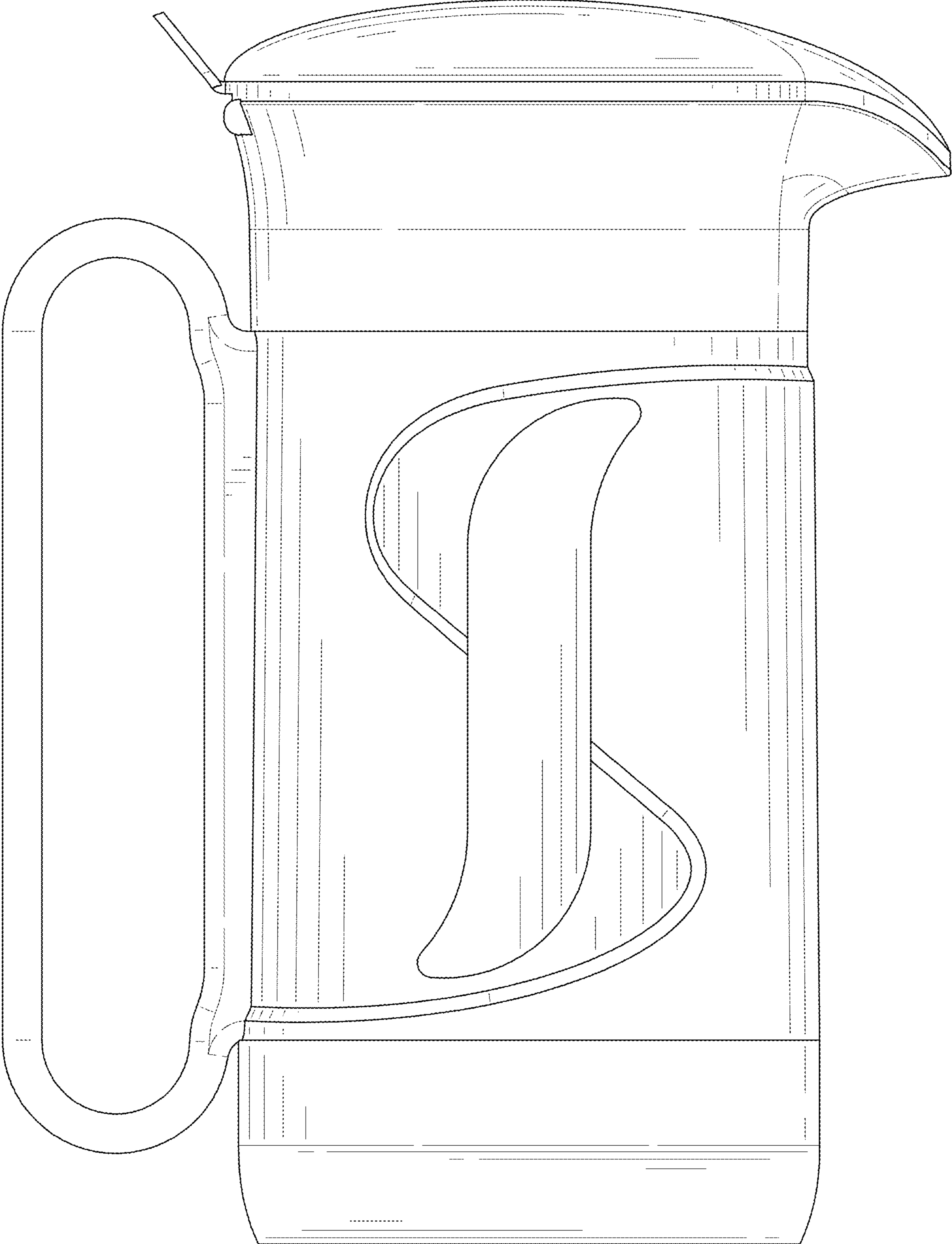


FIG. 5

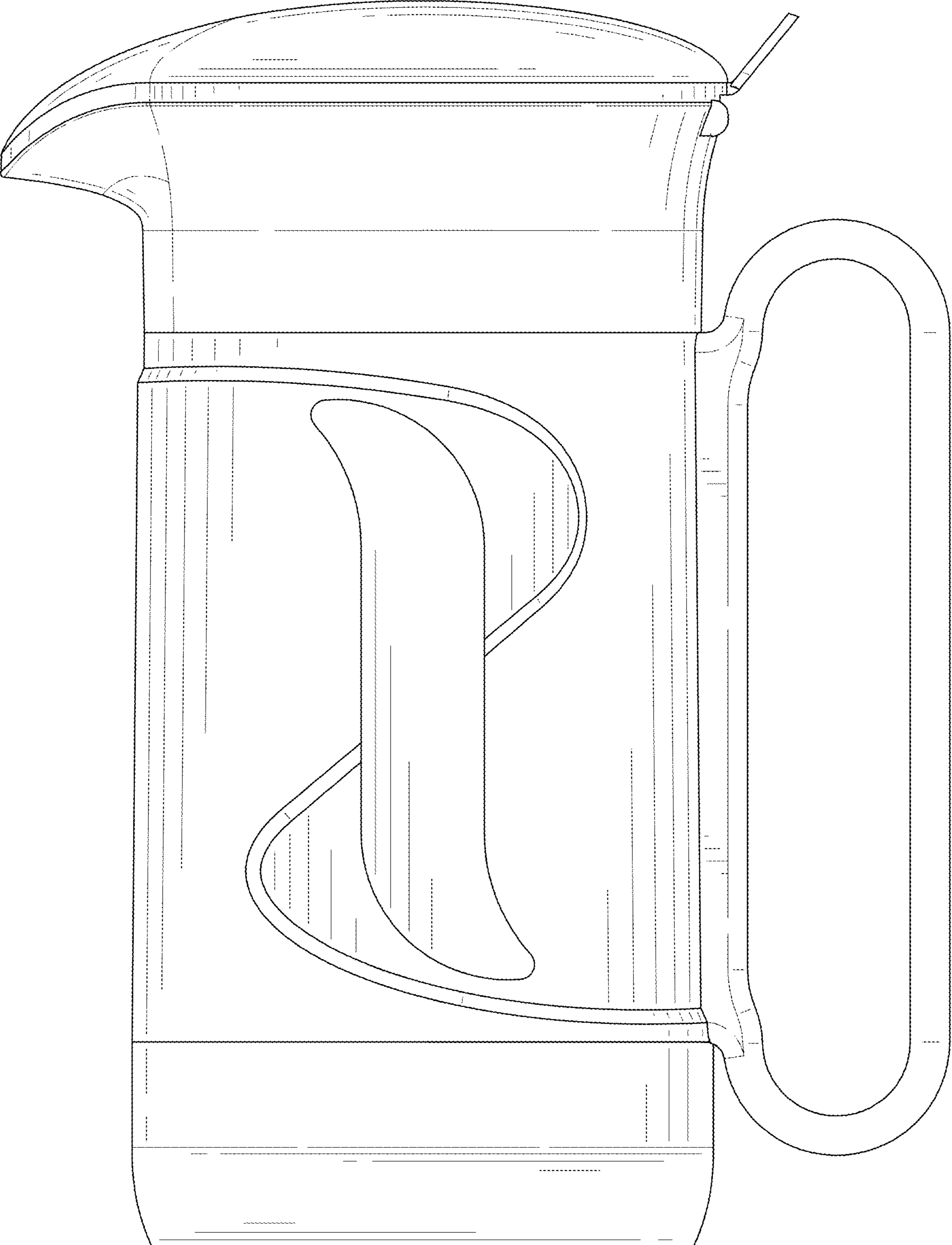


FIG. 6

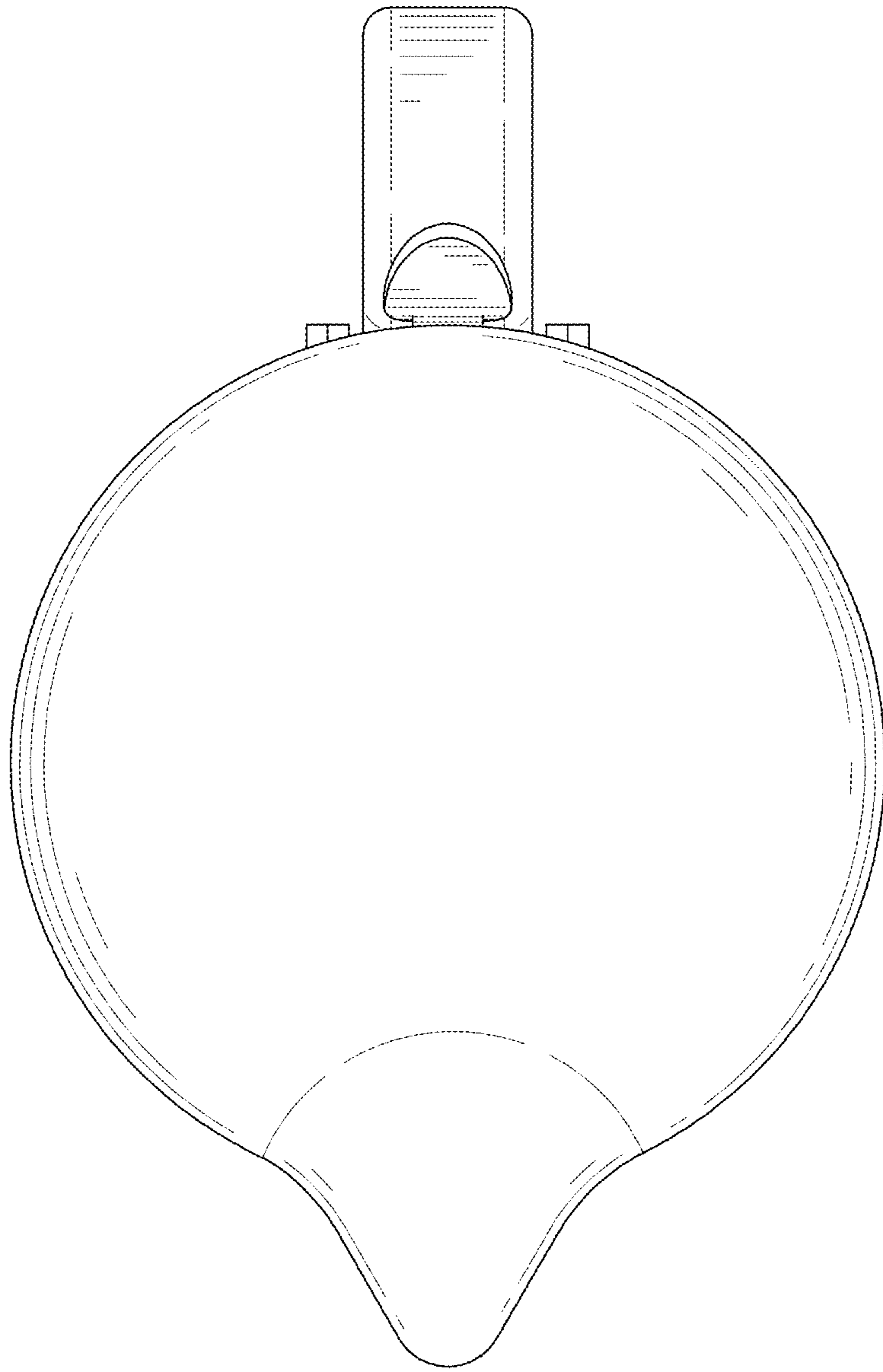


FIG. 7

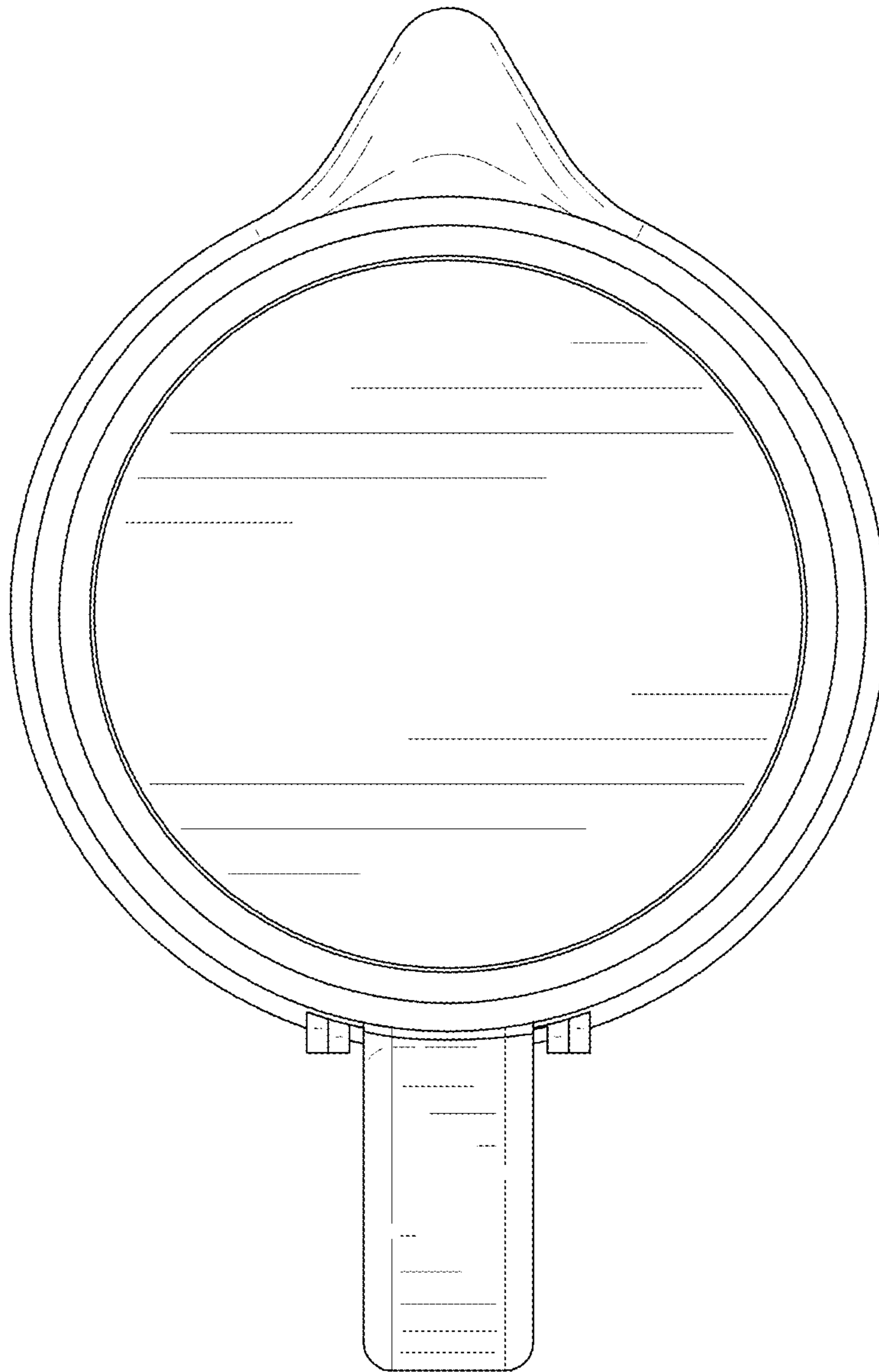


FIG. 8

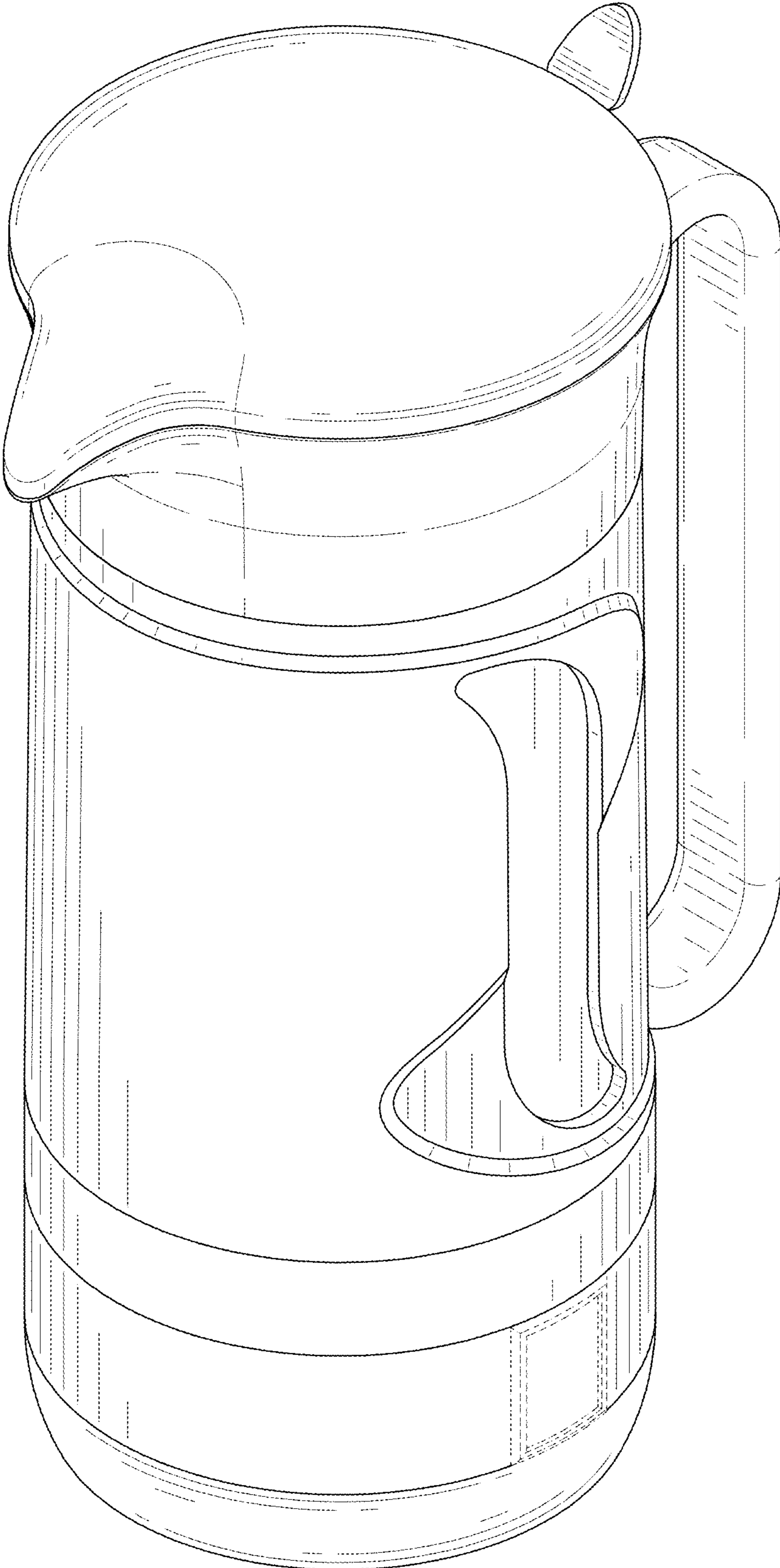


FIG. 9

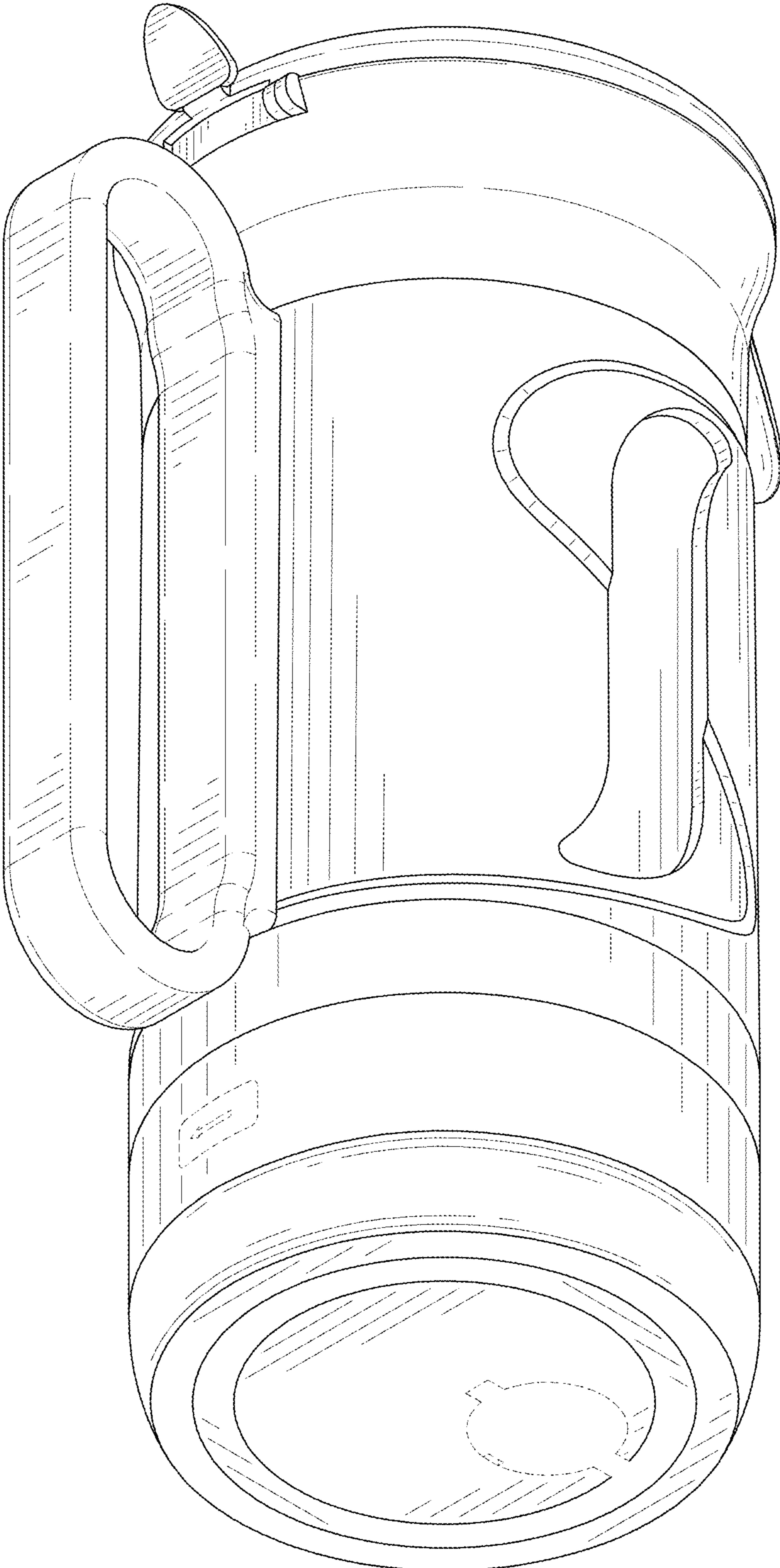


FIG. 10

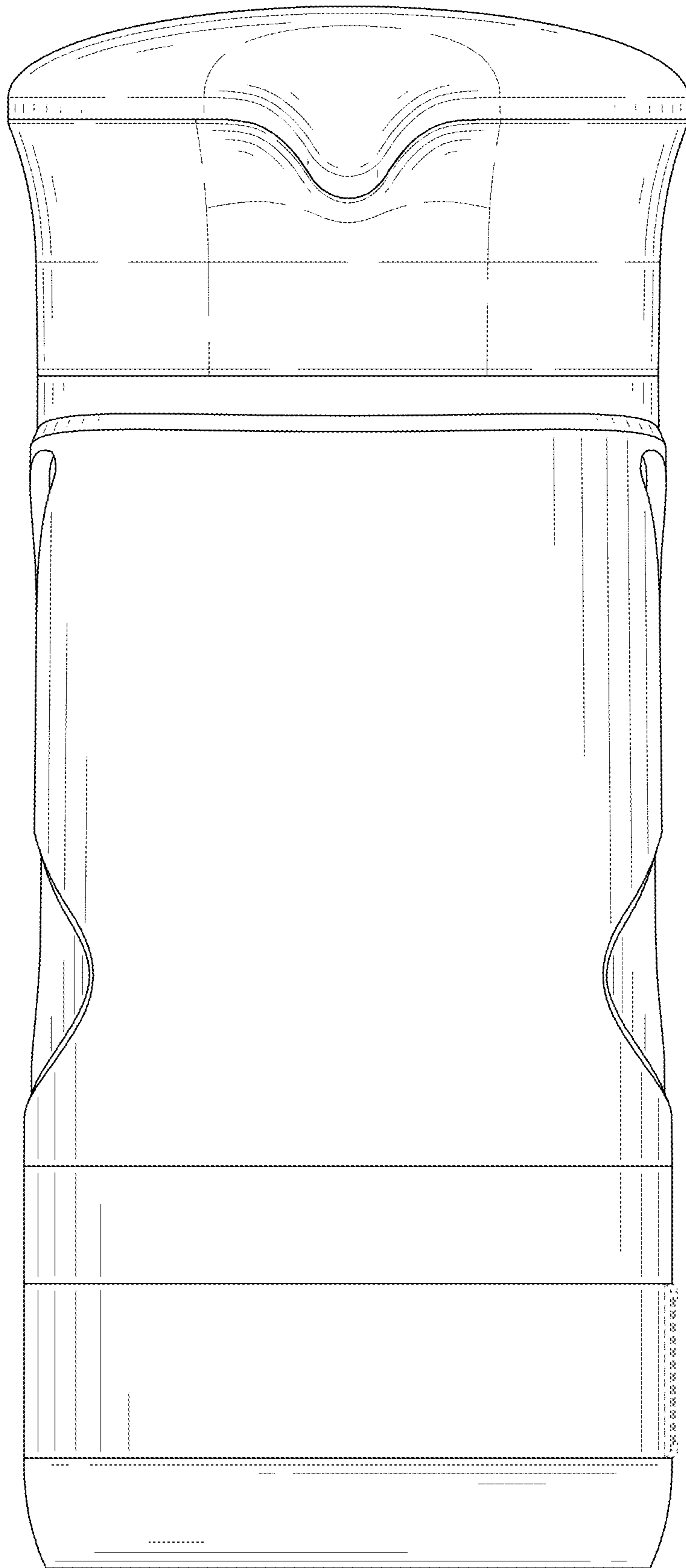


FIG. 11

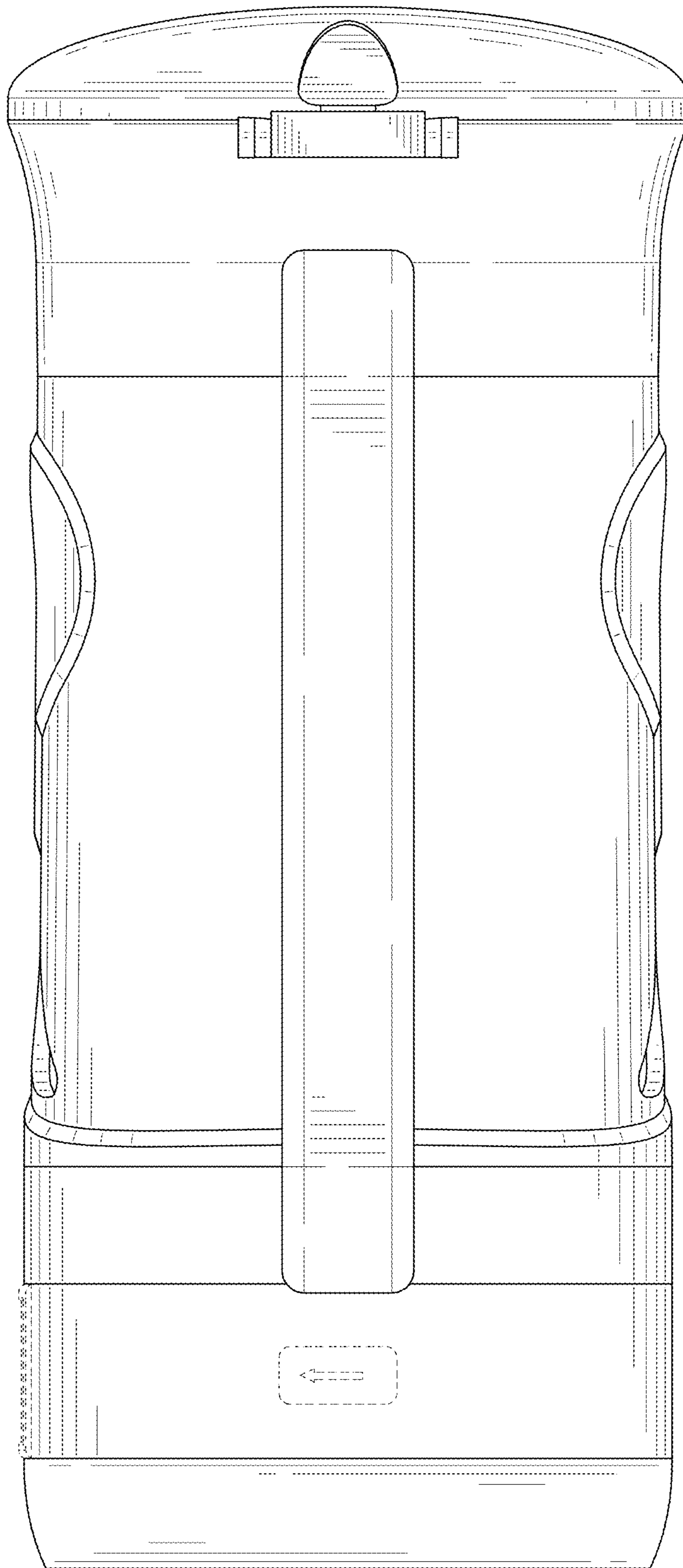


FIG. 12

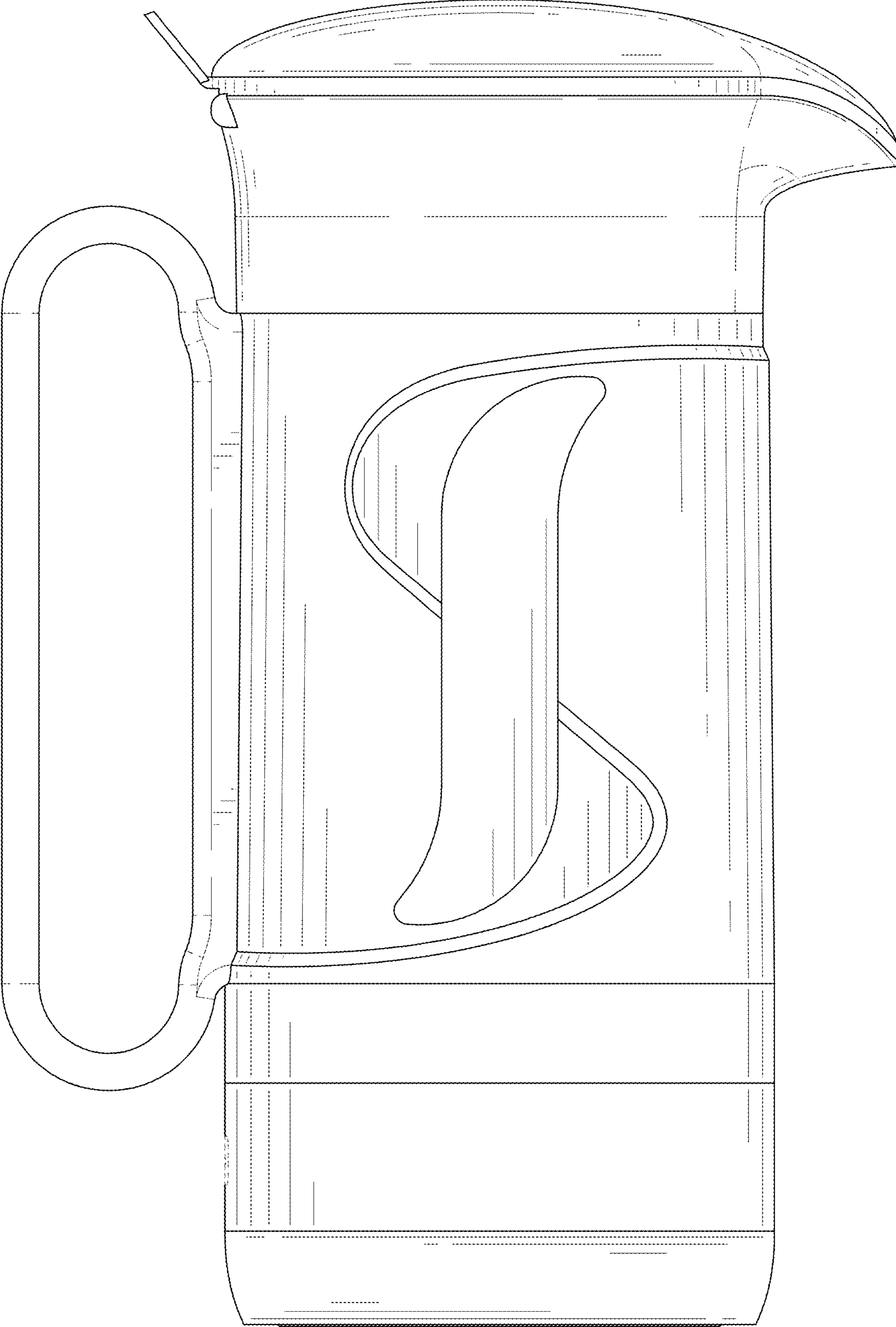


FIG. 13

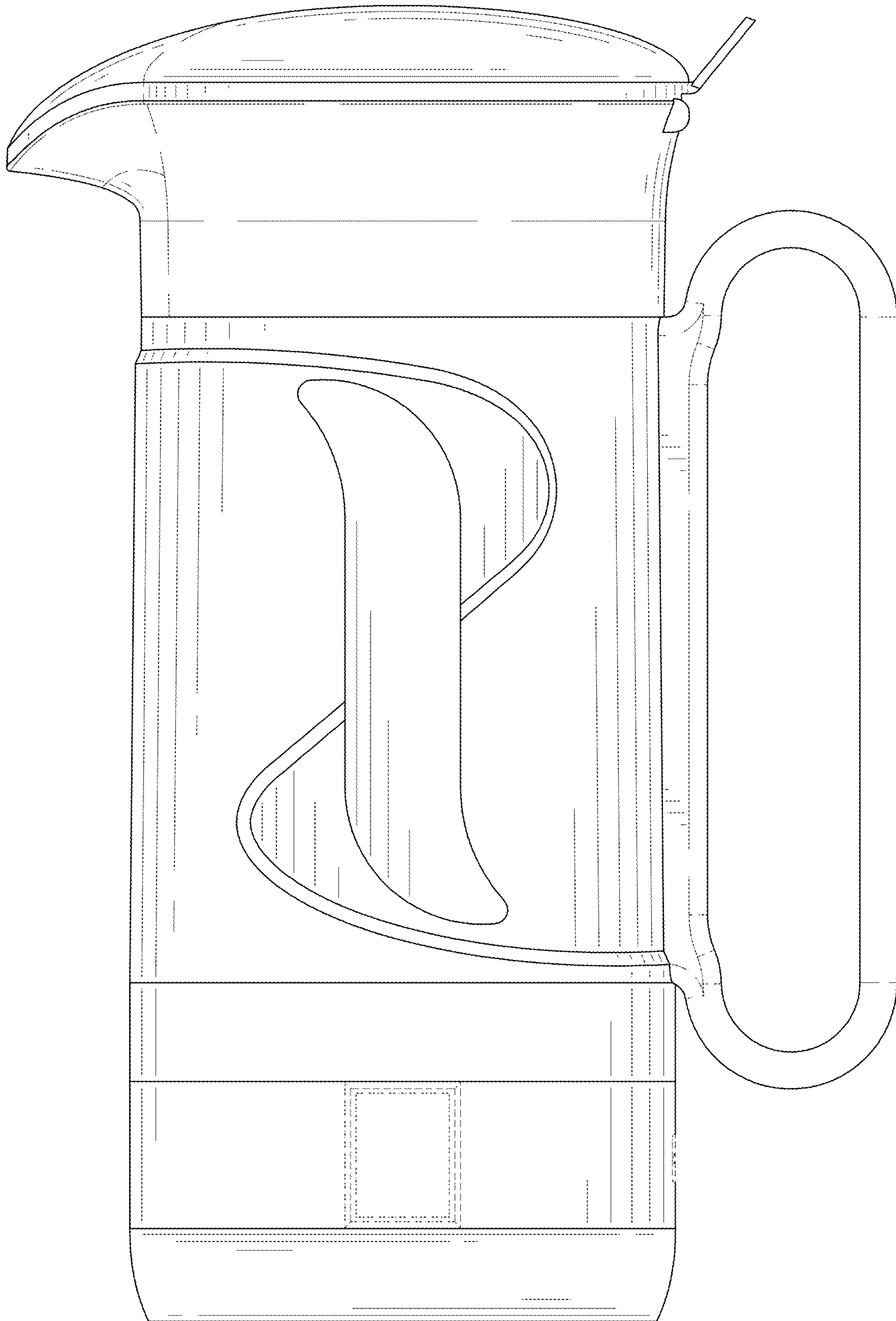


FIG. 14

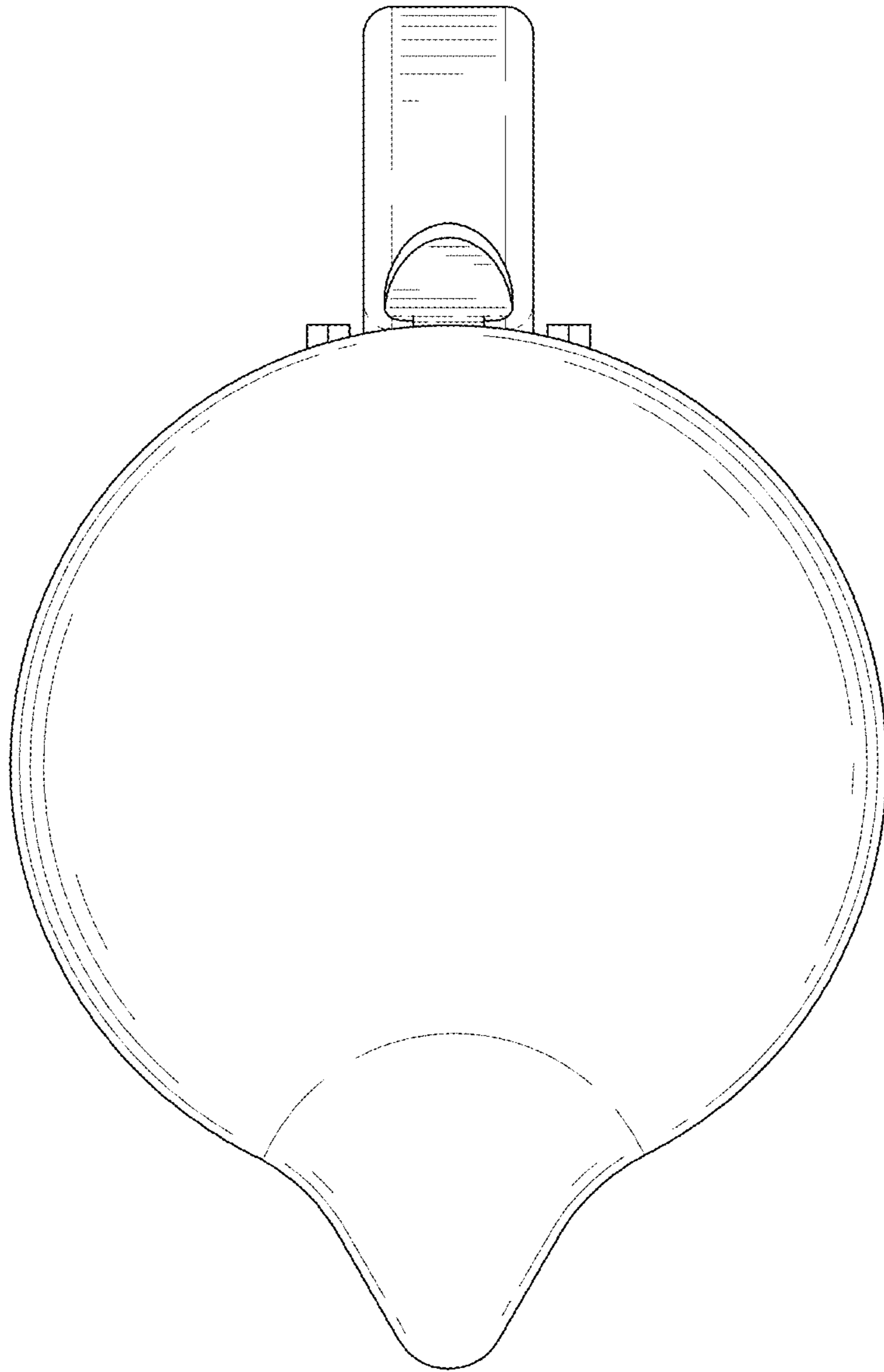


FIG. 15

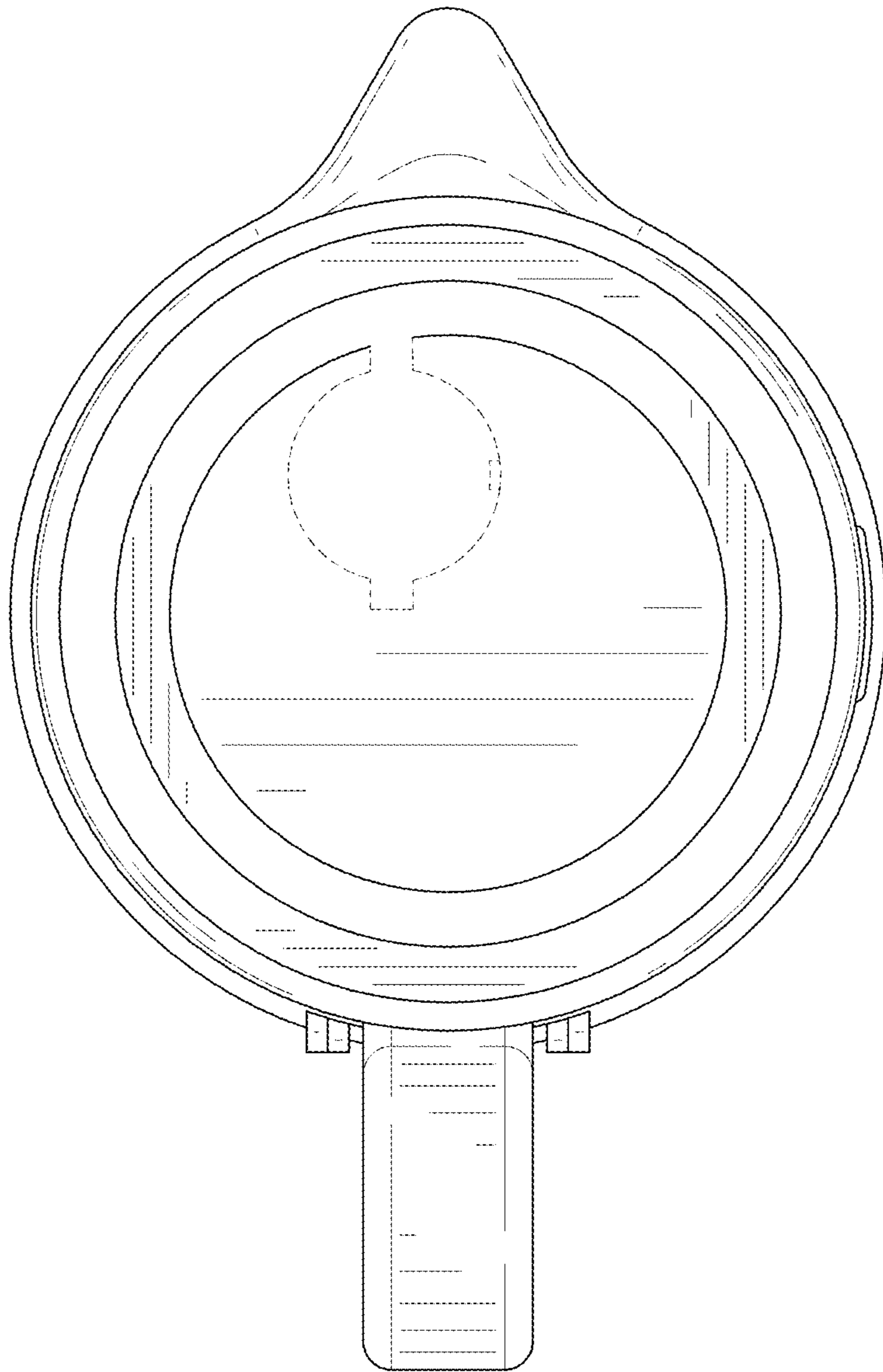


FIG. 16