

US00D964082S

(12) **United States Design Patent** (10) **Patent No.:** **US D964,082 S**
de Gooijer (45) **Date of Patent:** **** Sep. 20, 2022**

- (54) **COFFEE MACHINE**
- (71) Applicant: **Bravilor Holding B.V.**, Heerhugowaard (NL)
- (72) Inventor: **Johan Hendrik de Gooijer**, Edam (NL)
- (73) Assignee: **Bravilor Holding B.V.**, Heerhugowaard (NL)
- (**) Term: **15 Years**
- (21) Appl. No.: **29/709,453**
- (22) Filed: **Oct. 15, 2019**
- (51) **LOC (13) Cl.** **07-02**
- (52) **U.S. Cl.**
USPC **D7/309**
- (58) **Field of Classification Search**
USPC D7/300, 304-322, 372-373, 376, D7/397-401, 415; D20/4, 5; D23/201, D23/207, 366; D24/216-217, 219, 224; 99/292, 293
CPC A47J 31/00; A47J 31/002; A47J 31/04; A47J 31/043; A47J 31/057; A47J 31/007; A47J 31/10; A47J 31/14; A47J 31/40; A47J 31/407; A47J 31/42; B67D 1/00; B67D 1/0043
See application file for complete search history.

D891,847 S * 8/2020 Seidl D7/309
 D931,028 S * 9/2021 Dutruel D7/309
 2020/0060476 A1* 2/2020 Perentes A47J 31/5253

OTHER PUBLICATIONS

Lavazza 041953000648 BLUE Classy Mini Single Serve Espresso Coffee Machine, first available May 15, 2019, Amazon, [online], [site visited Jun. 25, 2021], Available from internet URL: <https://www.amazon.com/Lavazza-Classy-Single-Espresso-Machine/dp/B07RVDJW56/> (Year: 2019).*

New: Bravilor Bonamat Sprso, first available Oct. 17, 2019, YouTube, [online], [site visited Jun. 23, 2021], Available from internet URL: <https://www.youtube.com/watch?v=tALT5pH574w> (Year: 2019).*

Sprso, Bravilor Bonamat, [online], [site visited Jun. 23, 2021], Available from internet URL: <https://www.bravilor.com/en-in/product/sprso/715> (Year: 2021).*

* cited by examiner

Primary Examiner — Mary Ann Calabrese
Assistant Examiner — Natalya M Rapundalo
 (74) *Attorney, Agent, or Firm* — N.V. Nederlandsh Octrooibureau

(57) **CLAIM**

The ornamental design for a coffee machine, as shown and described.

DESCRIPTION

FIG. 1 is a perspective view from a top of a coffee machine in accordance with the present invention;
 FIG. 2 is a front view thereof;
 FIG. 3 is a left side view thereof;
 FIG. 4 is a right side view thereof;
 FIG. 5 is a top view thereof;
 FIG. 6 is a back view thereof;
 FIG. 7 is a bottom view thereof; and,
 FIG. 8 is a back perspective view thereof.
 The broken lines in the drawings represent portions of the article which form no part of the claimed design.

1 Claim, 8 Drawing Sheets

(56) **References Cited**
 U.S. PATENT DOCUMENTS

D644,058 S *	8/2011	Cahen	D7/309
D667,251 S *	9/2012	Cahen	D7/309
D724,369 S *	3/2015	Cahen	D7/309
D726,482 S *	4/2015	Cahen	D7/309
D740,599 S *	10/2015	Luippold	D7/306
D743,199 S *	11/2015	Bardazzi	D7/309
D820,627 S *	6/2018	Nabeiro	D7/309
D832,019 S *	10/2018	Cahen	D7/306

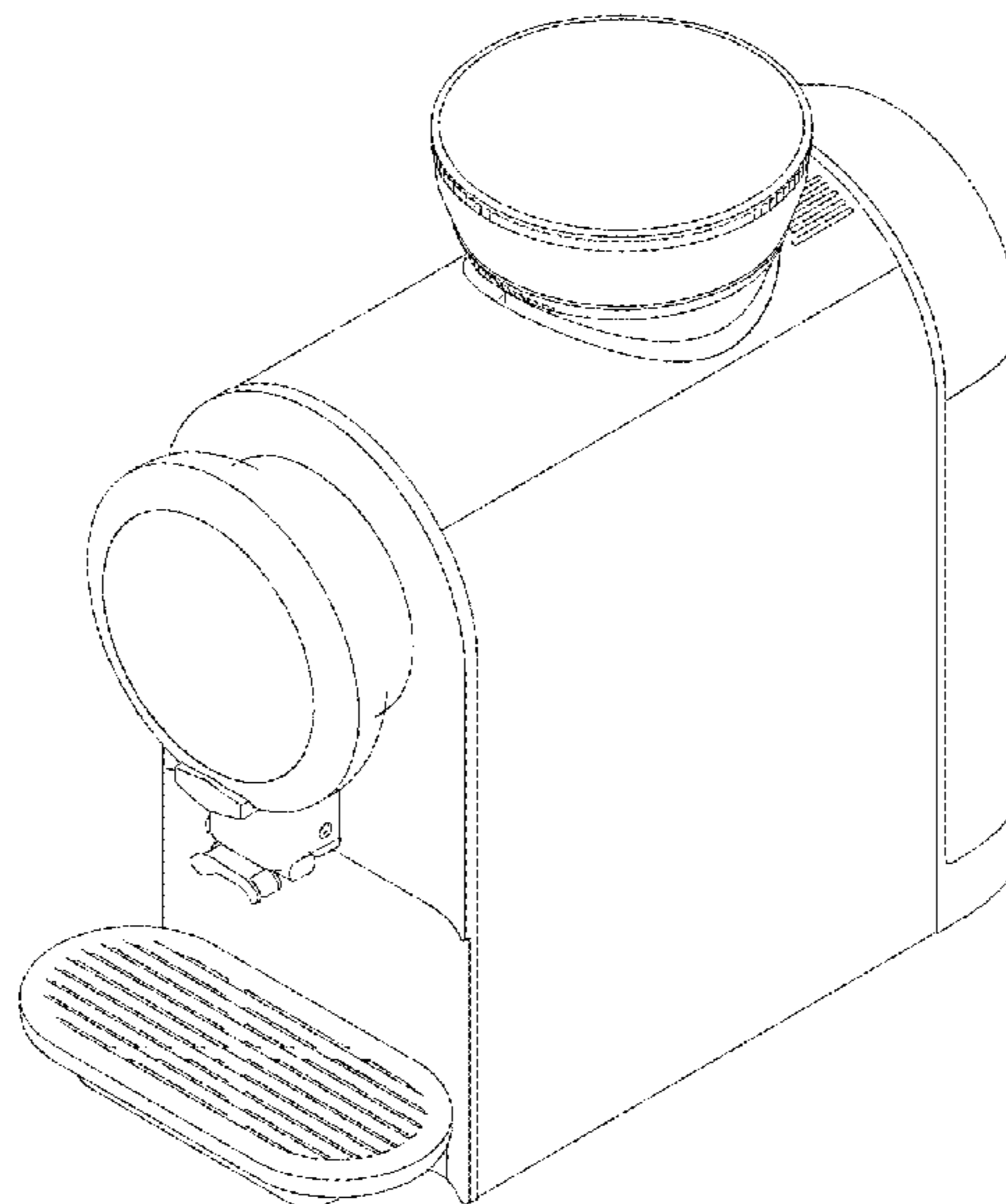


Fig. 1

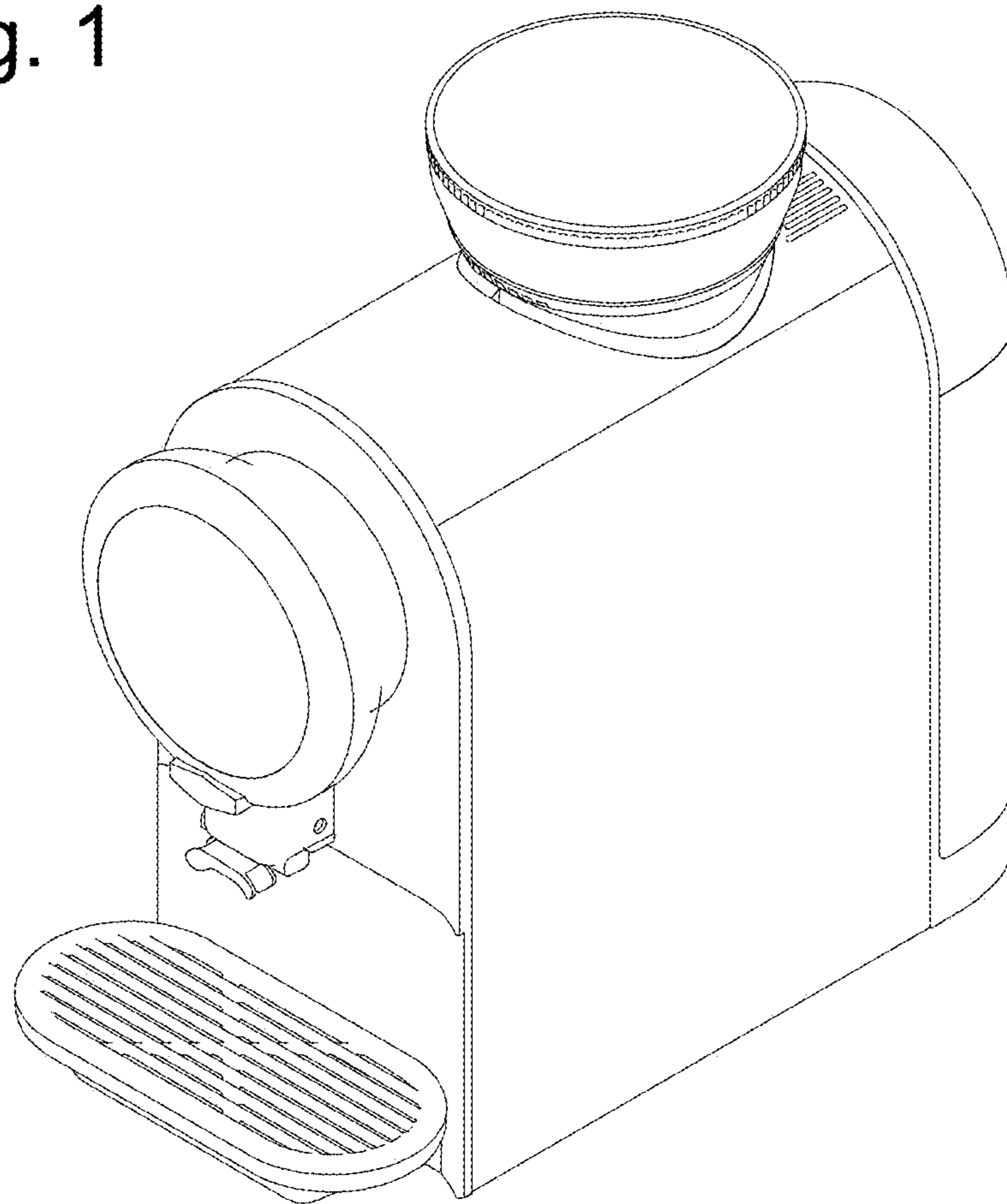


Fig. 2

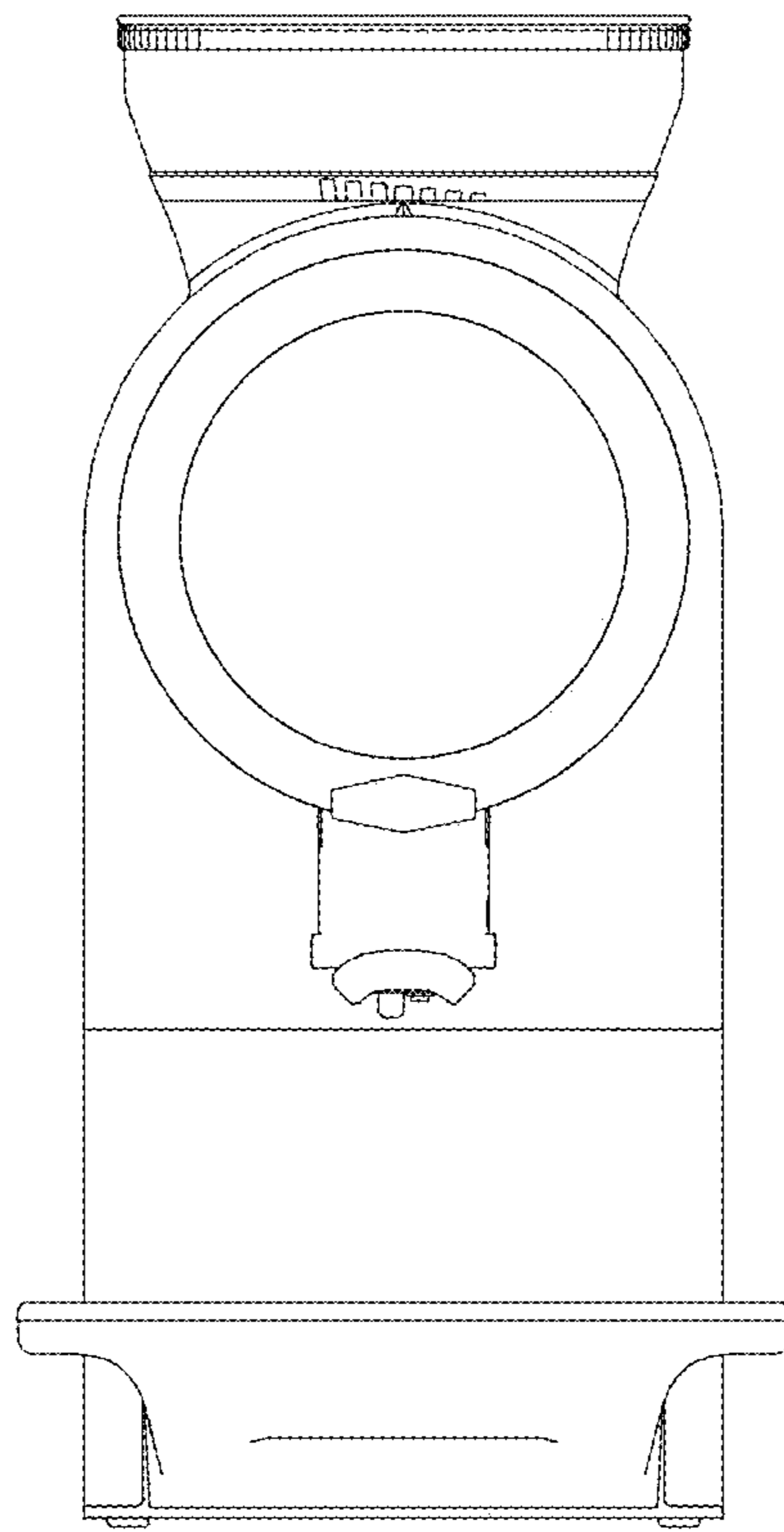


Fig. 3

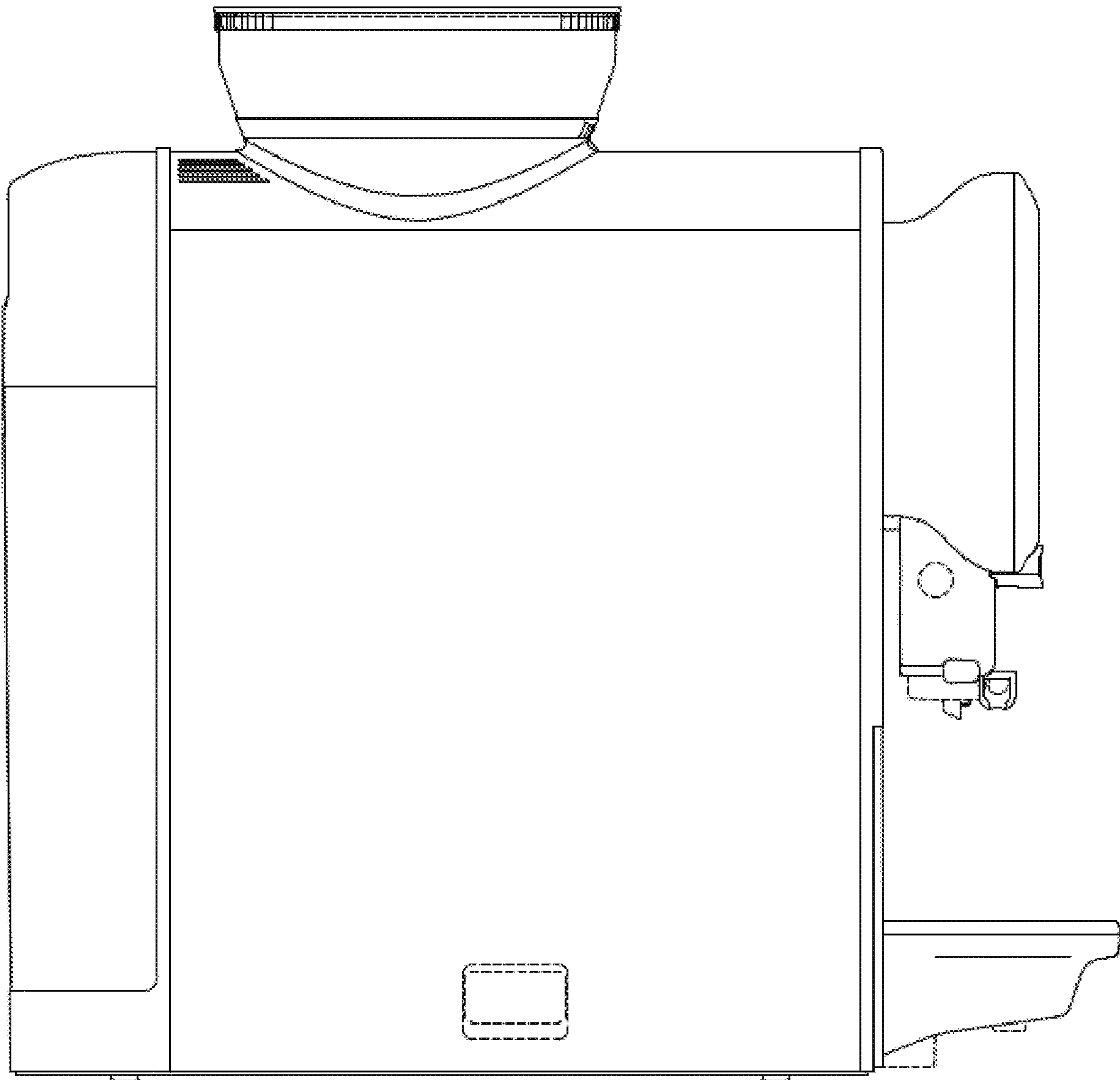


Fig. 4

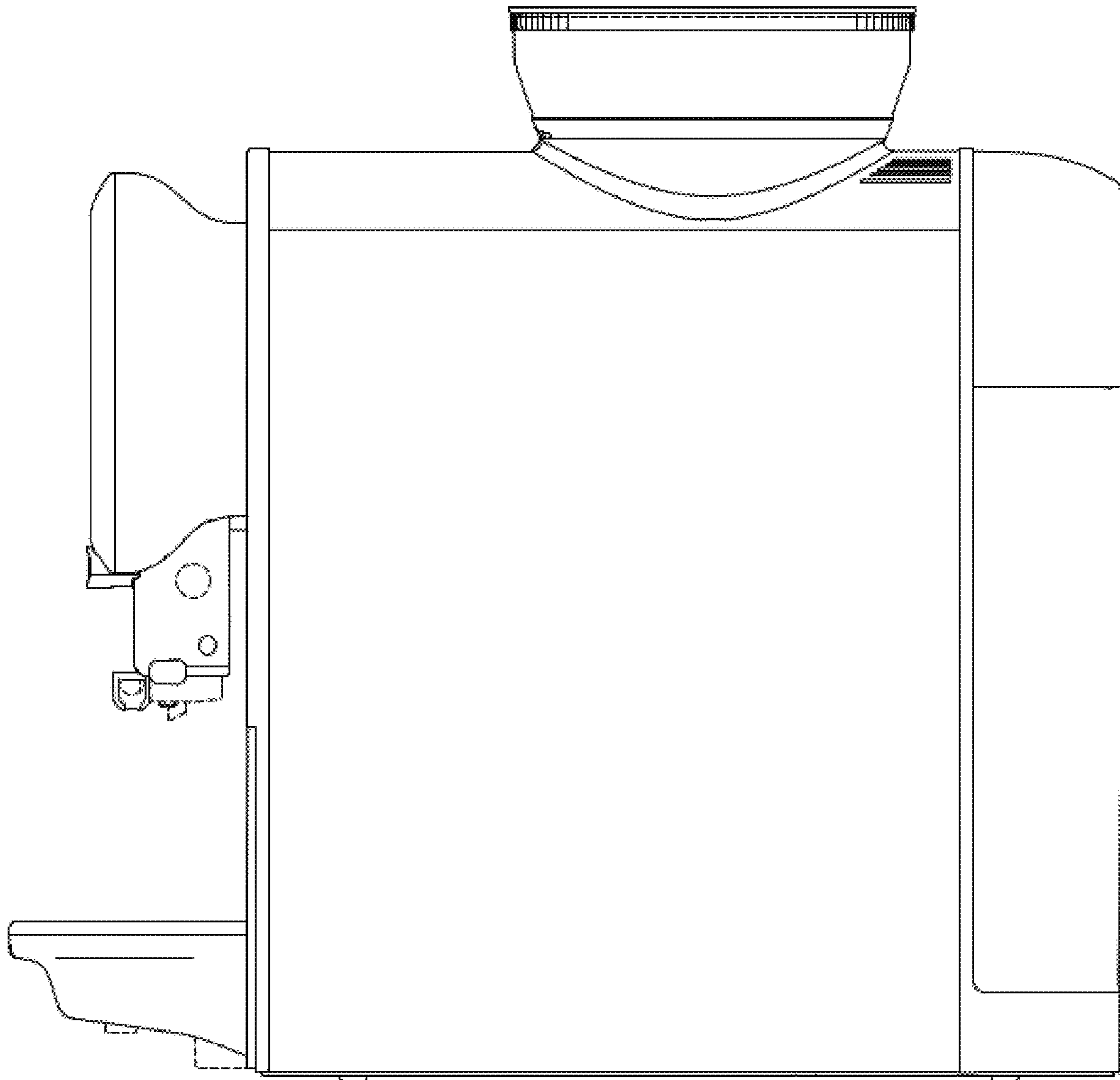


Fig. 5

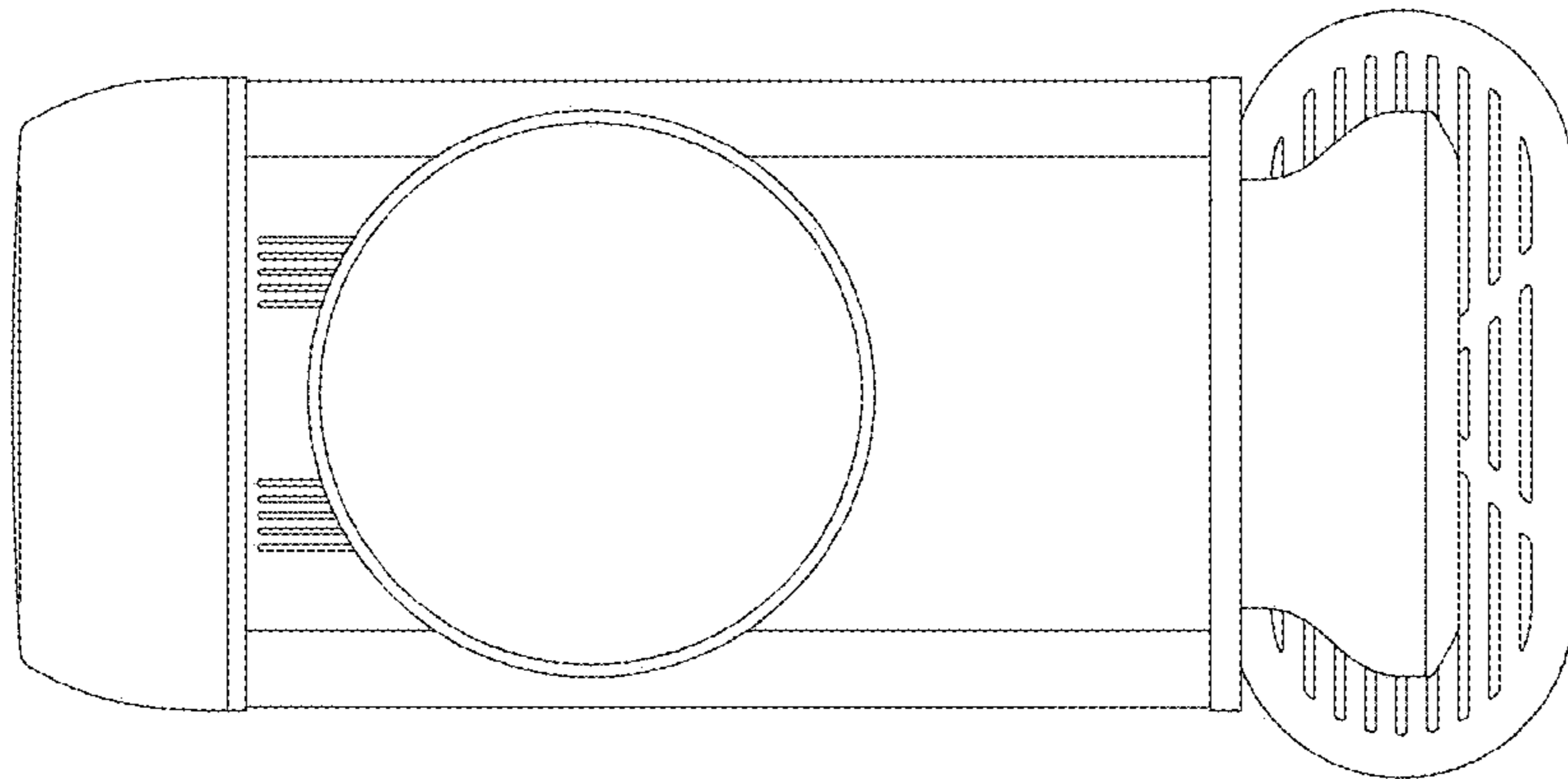


Fig. 6

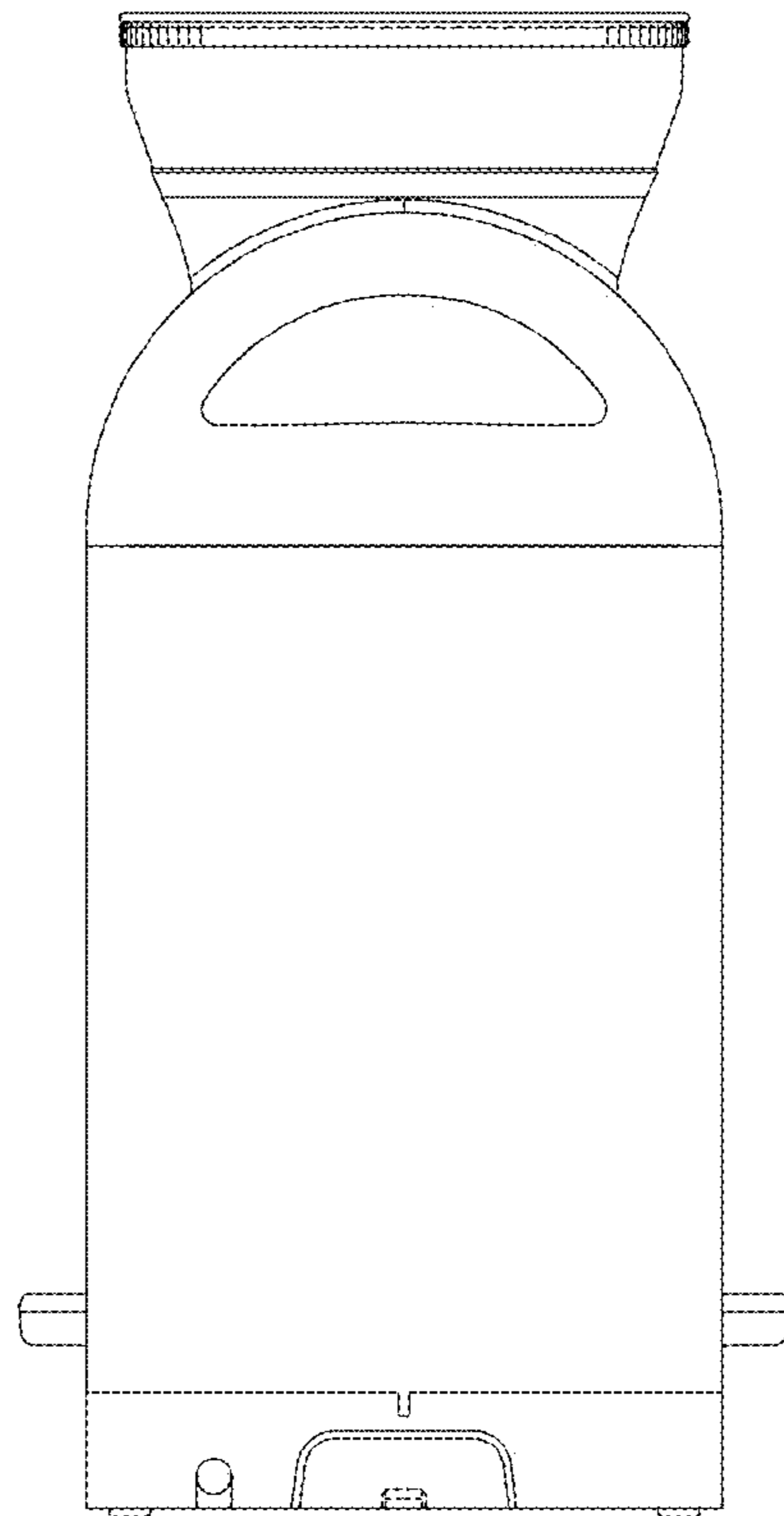


Fig. 7

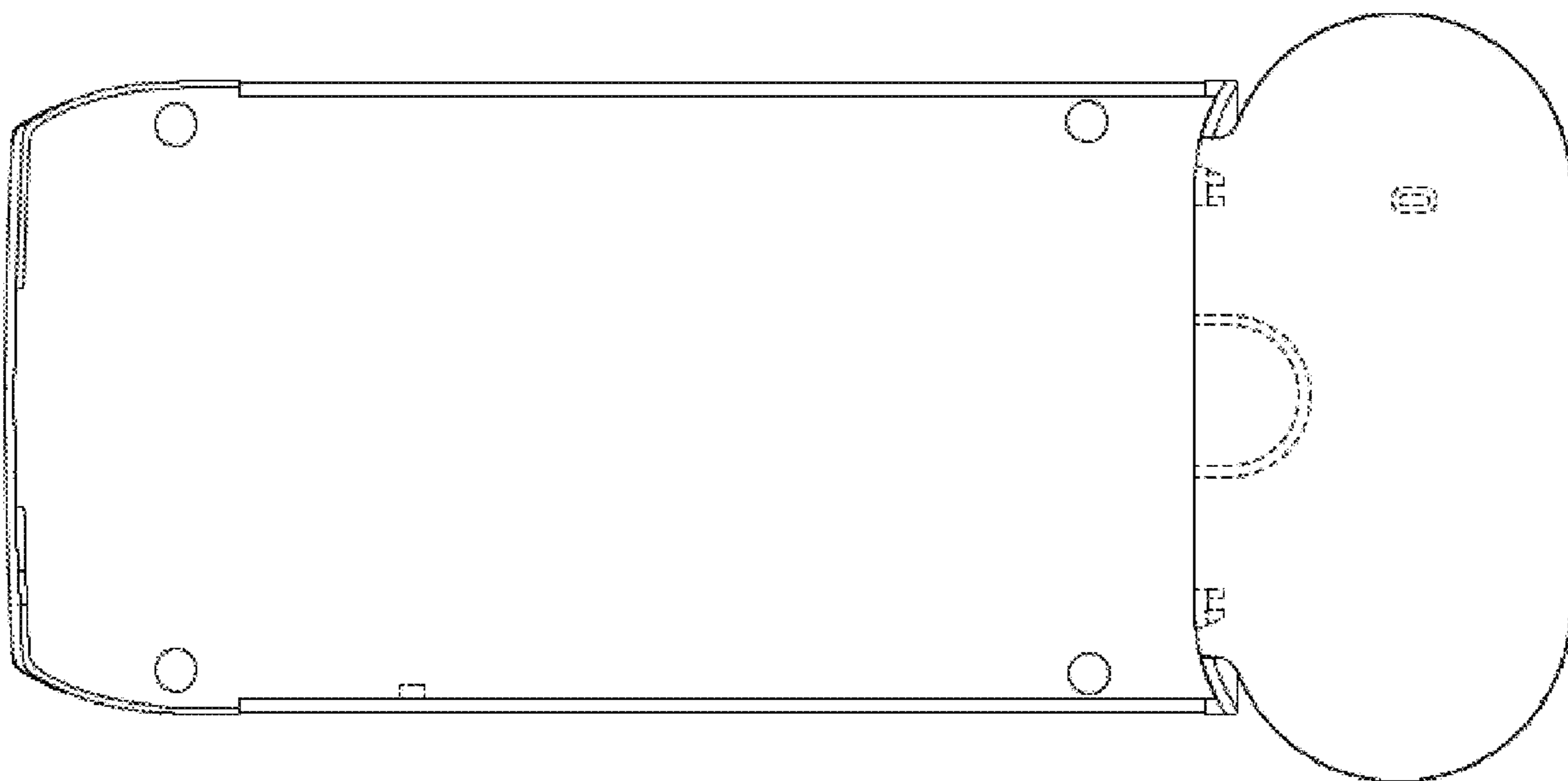


Fig. 8

