

US00D964081S

(12) **United States Design Patent** (10) **Patent No.:** **US D964,081 S**
Meier (45) **Date of Patent:** **** Sep. 20, 2022**

(54) **APPLIANCE FOR PREPARING AND DISPENSING FOAMED FLUID FOOD**

(71) Applicant: **ISI GMBH**, Vienna (AT)
(72) Inventor: **Dominik Meier**, Munich (DE)
(73) Assignee: **iSi GmbH**, Vienna (AT)
(**) Term: **15 Years**

(21) Appl. No.: **35/511,993**
(22) Filed: **May 19, 2021**

(80) **Hague Agreement Data**
Int. Filing Date: **May 19, 2021**
Int. Reg. No.: **DM/214524**
Int. Reg. Date: **May 19, 2021**
Int. Reg. Pub. Date: **Jun. 11, 2021**

(30) **Foreign Application Priority Data**

Nov. 20, 2020 (AT) MU 99/2020

(51) **LOC (13) Cl.** **07-01**

(52) **U.S. Cl.**
USPC **D7/300**

(58) **Field of Classification Search**
USPC D7/300, 319, 376, 373, 379, 384, 392.1,
D7/397, 400, 511, 515
CPC B65D 85/72
See application file for complete search history.

(56) **References Cited**

U.S. PATENT DOCUMENTS

D153,338 S * 4/1949 Darr D8/31
D465,981 S * 11/2002 Bass D8/62

D467,465 S * 12/2002 Apelboim D7/589
D518,601 S * 4/2006 Kling D28/65
D520,683 S * 5/2006 Kling D28/65
D604,753 S * 11/2009 Suarez D15/199
D613,558 S * 4/2010 Gold D7/589
D620,118 S * 7/2010 Cheetham D24/176
D625,745 S * 10/2010 Chiang D15/143
D637,637 S * 5/2011 Daiber D15/199
D654,524 S * 2/2012 Iversen D15/199
D675,534 S * 2/2013 Weiler D9/558
D689,329 S * 9/2013 Nicholls D7/397
D791,531 S * 7/2017 Lyn D7/373
D800,316 S * 10/2017 Evers D24/176
2010/0075001 A1 * 3/2010 Succar B65D 47/2018
222/402.1

* cited by examiner

Primary Examiner — S. Bryan Reinholdt, Jr.
(74) *Attorney, Agent, or Firm* — Collard & Roe, P.C.

(57) **CLAIM**

The ornamental design for an appliance for preparing and dispensing foamed fluid food, as shown and described.

DESCRIPTION

FIG. 1.1 is a right elevation view of an appliance for preparing and dispensing foamed fluid food showing my new design;

FIG. 1.2 is a top plan view thereof;

FIG. 1.3 is a front elevation view thereof;

FIG. 1.4 is a left elevation view thereof;

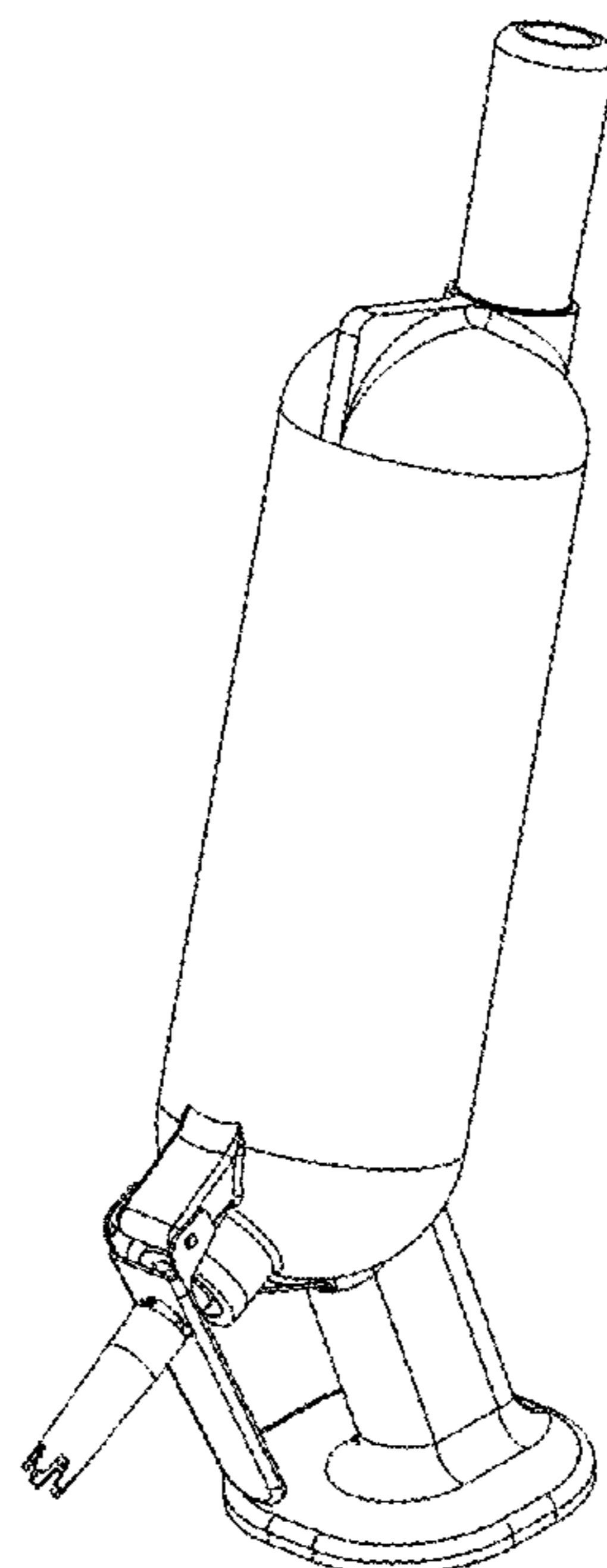
FIG. 1.5 is a perspective view thereof;

FIG. 1.6 is a bottom plan view thereof; and

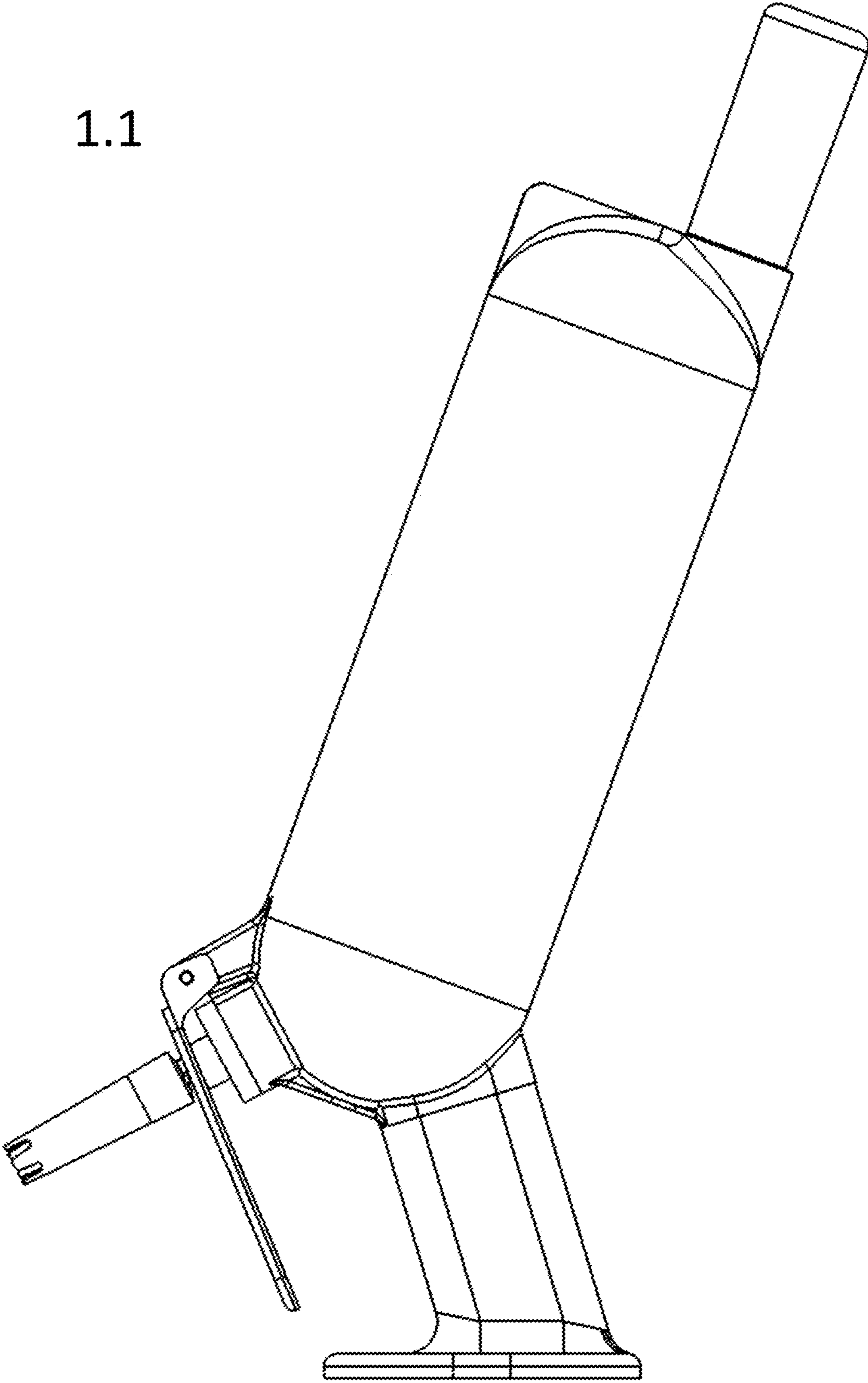
FIG. 1.7 is a rear elevation view thereof.

The broken lines in FIG. 1.6 depict portions of the appliance for preparing and dispensing foamed fluid food that form no part of the claimed design.

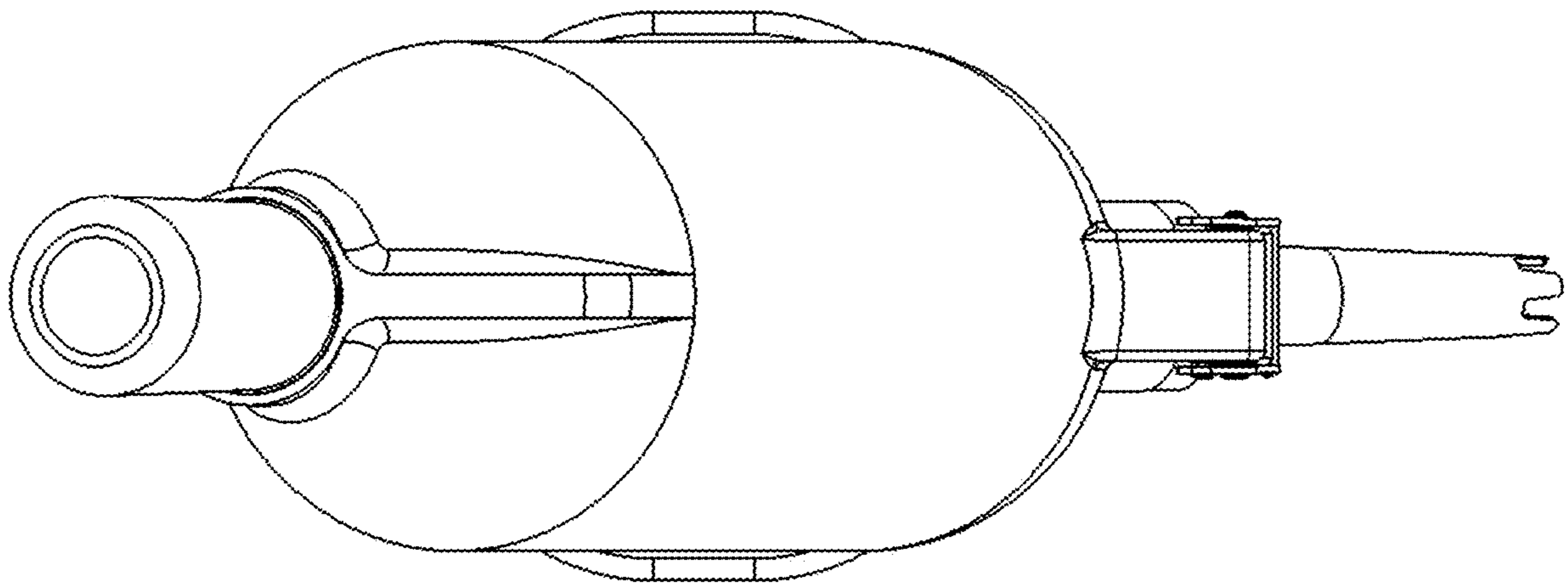
1 Claim, 7 Drawing Sheets



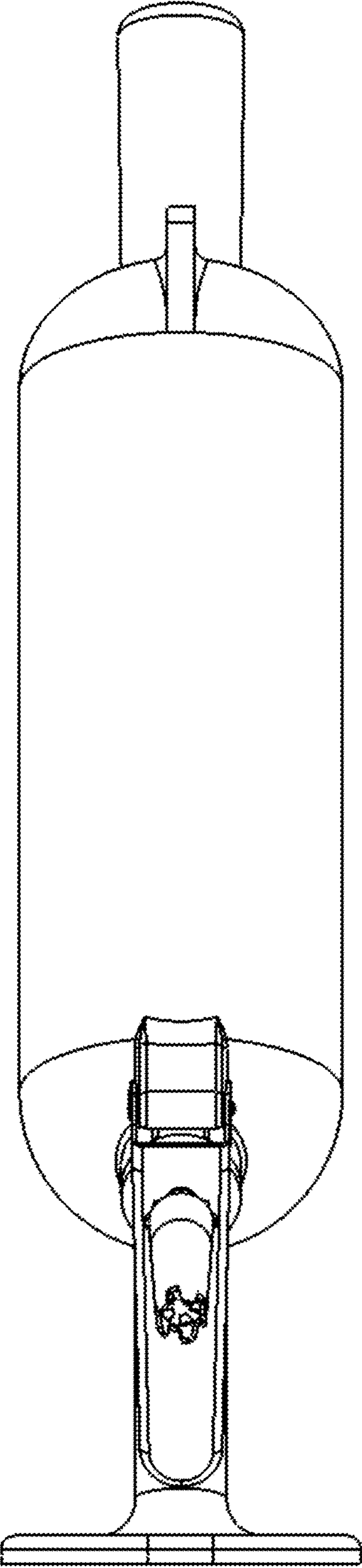
1.1

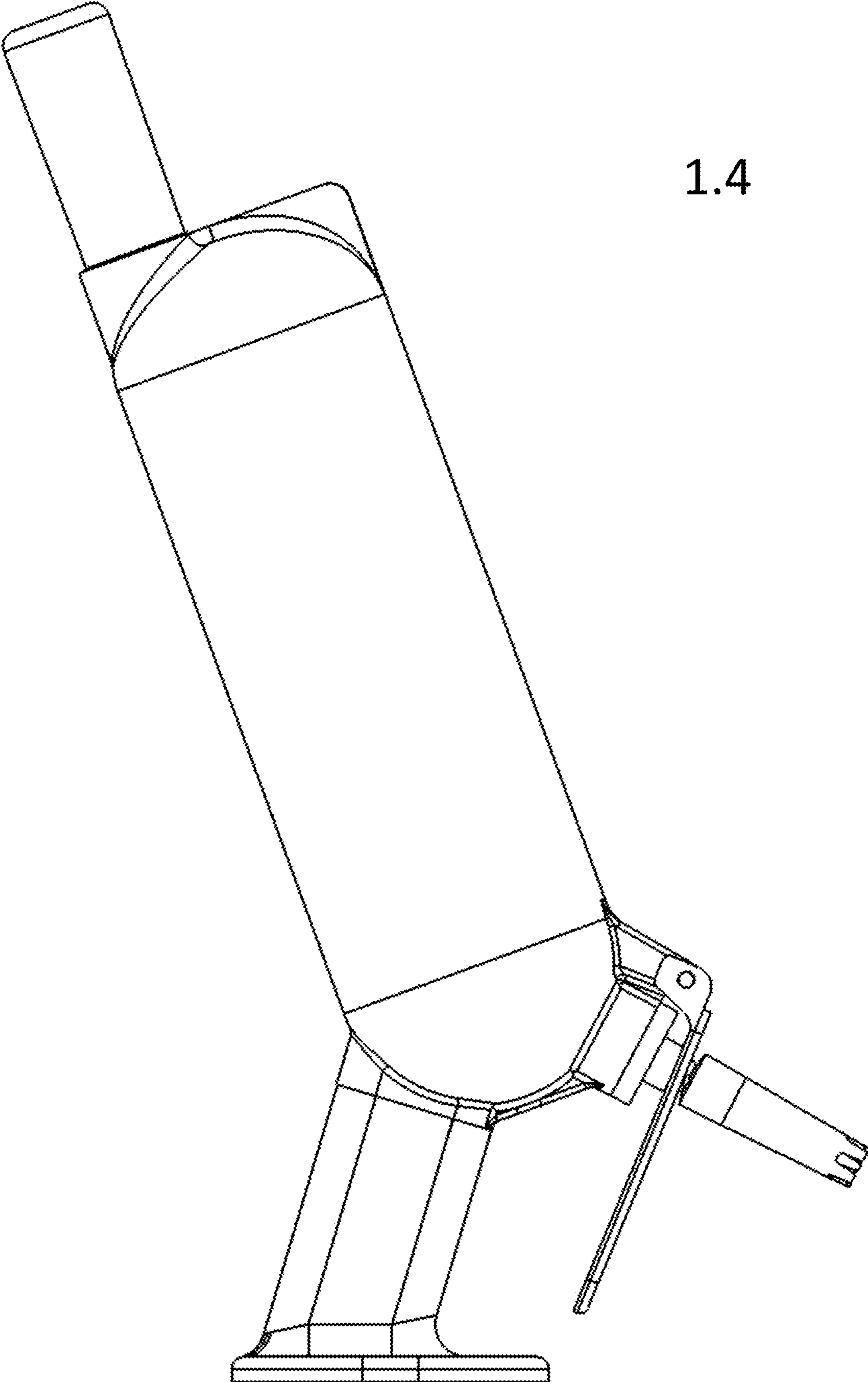


1.2



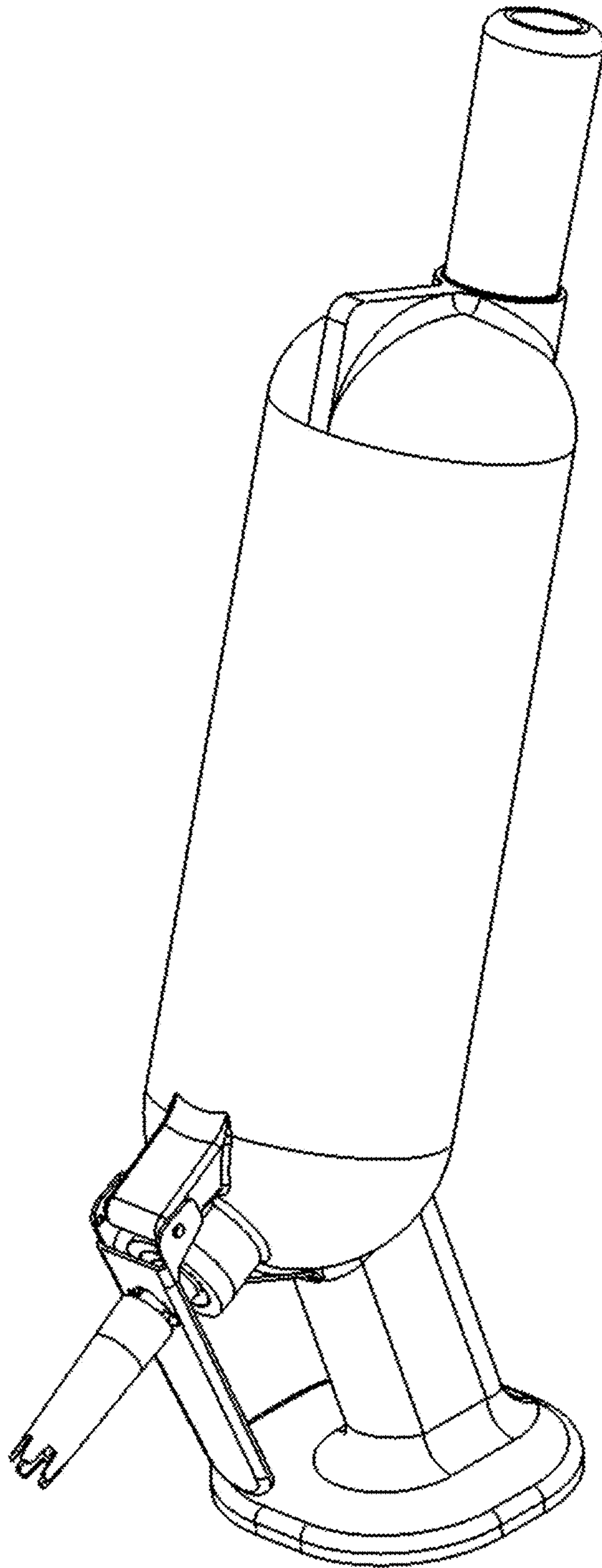
1.3



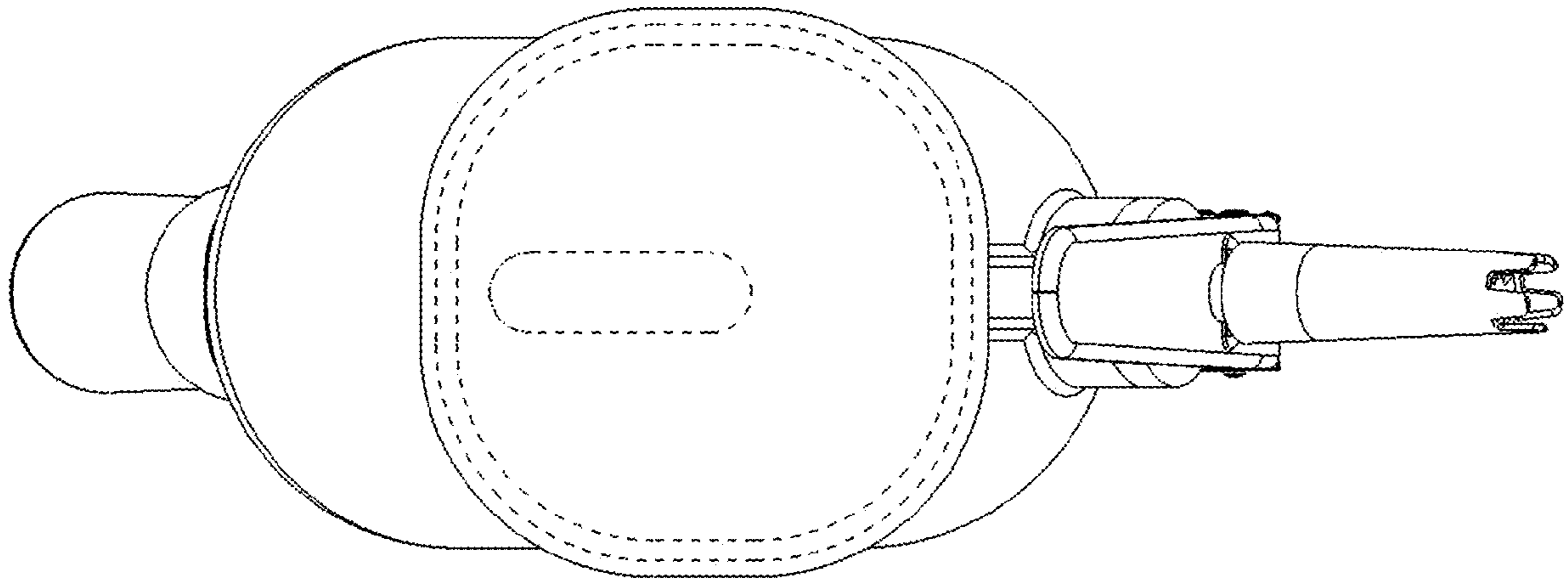


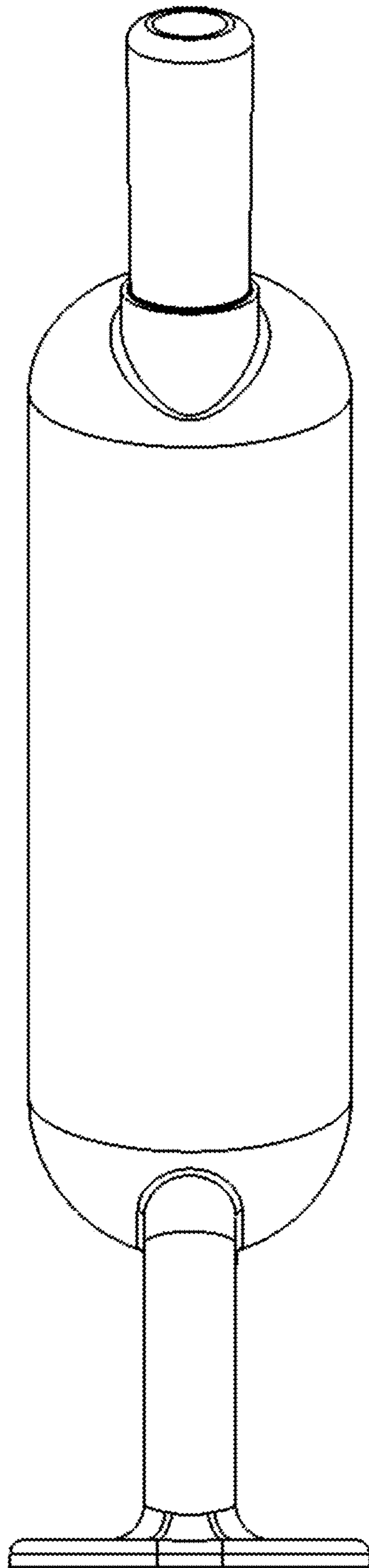
1.4

1.5



1.6





1.7