

US00D964079S

(12) **United States Design Patent**  
**Levin**

(10) **Patent No.:** **US D964,079 S**

(45) **Date of Patent:** **\*\* Sep. 20, 2022**

(54) **CHAIR**

(71) Applicant: **Eric Martin Levin**, Severna Park, MD  
(US)

(72) Inventor: **Eric Martin Levin**, Severna Park, MD  
(US)

(\*\*) Term: **15 Years**

(21) Appl. No.: **29/728,099**

(22) Filed: **Mar. 16, 2020**

(51) **LOC (13) Cl.** ..... **06-06**

(52) **U.S. Cl.**  
USPC ..... **D6/716**

(58) **Field of Classification Search**  
USPC ..... D6/334-336, 356, 364, 365, 366, 367,  
D6/368, 374, 375, 379, 380, 716, 716.1,  
D6/716.4  
CPC ..... A47C 1/146; A47C 1/16; A47C 7/407;  
A47C 7/425; A47C 5/06; A47C 5/10;  
B60N 2/20; B63B 29/04  
See application file for complete search history.

(56) **References Cited**

**U.S. PATENT DOCUMENTS**

D121,266 S	7/1940	Archer
D135,333 S	3/1943	Brown
2,792,053 A	5/1957	Kursman
3,215,468 A	11/1965	Swenson
3,347,572 A	10/1967	Pfaff, Jr.
3,741,595 A	6/1973	Horgan, Jr.
D227,833 S	7/1973	Olson
D274,581 S	6/1984	Gallock
4,463,632 A	8/1984	Parke
4,926,783 A	5/1990	Lathers
D312,004 S	11/1990	Smith
5,020,854 A	6/1991	Powell
5,052,076 A	10/1991	Spaeth
5,058,949 A	10/1991	Von Hoffman
5,171,063 A	12/1992	Stidd
5,301,570 A	4/1994	Li

D350,649 S \* 9/1994 Rozum ..... D6/364  
D377,574 S 1/1997 Mades  
5,688,023 A 11/1997 Blocker, Jr.

(Continued)

*Primary Examiner* — Mimosa De

(74) *Attorney, Agent, or Firm* — Garcia-Zamor  
Intellectual Property Law, LLC; Ruy Garcia-Zamor

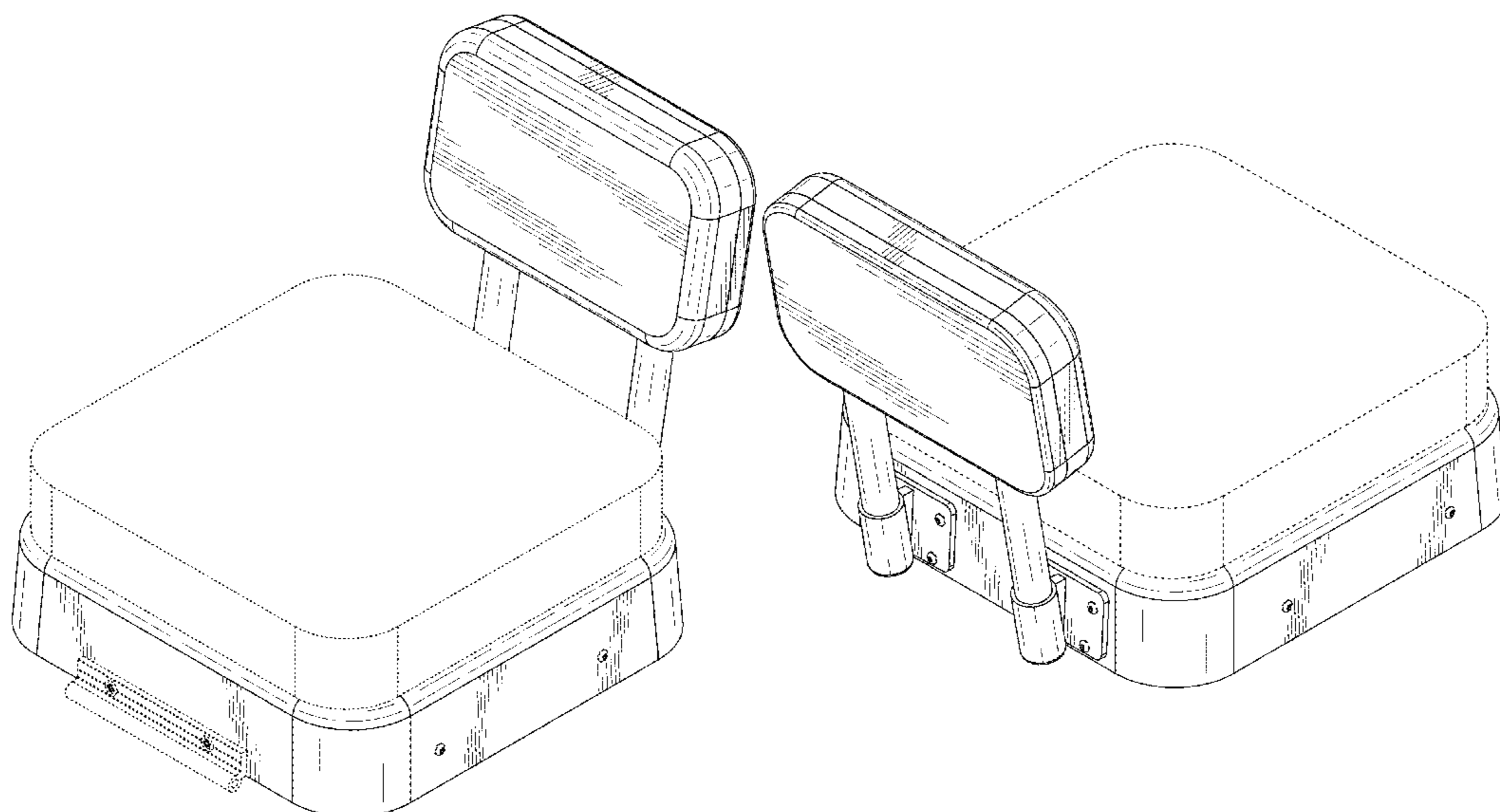
(57) **CLAIM**

The ornamental design for a chair, as shown and described.

**DESCRIPTION**

FIG. 1 is a front, right, top perspective view of a chair according to the present invention;  
FIG. 2 is a rear, left, top perspective view of the chair of FIG. 1;  
FIG. 3 is a front elevational view of the chair of FIG. 1;  
FIG. 4 is a rear elevational view of the chair of FIG. 1;  
FIG. 5 is a left side elevational view of the chair of FIG. 1;  
FIG. 6 is a right side elevational view of the chair of FIG. 1;  
FIG. 7 is a top plan view of the chair of FIG. 1;  
FIG. 8 is a bottom plan view of the chair of FIG. 1;  
FIG. 9 is a front, right, bottom perspective view of the chair of FIG. 1;  
FIG. 10 is a front, left, bottom perspective view of the chair of FIG. 1;  
FIG. 11 is a rear, left, bottom perspective view of the chair of FIG. 1;  
FIG. 12 is a rear, right, bottom perspective view of the chair of FIG. 1; and,  
FIG. 13 is a second top, right, front perspective view of the chair of FIG. 1.  
The broken lines in FIGS. 1-13 represent environment and are for illustrative purposes only and do not constitute part of the claimed design.

**1 Claim, 13 Drawing Sheets**



(56)

References Cited

U.S. PATENT DOCUMENTS

5,688,024 A	11/1997	Arizpe-Gilmore		D675,838 S	2/2013	Szymaski	
5,697,318 A	12/1997	Kobayashi		D676,681 S	2/2013	Szymaski	
5,904,398 A	5/1999	Farricielli		8,960,799 B2	2/2015	Yoon	
D411,381 S	6/1999	Greaves		D727,046 S	4/2015	Alexander	
6,135,476 A	10/2000	Dickie		D727,047 S	4/2015	Alexander	
6,283,059 B1	9/2001	Scully, Jr.		9,021,975 B1	5/2015	Fodor	
6,321,912 B1	11/2001	Lippert		9,138,059 B2	9/2015	Kwok	
6,322,145 B1	11/2001	Melgarejo		D740,579 S	10/2015	Begin	
6,513,876 B1	2/2003	Agler		9,955,790 B2	5/2018	Tang	
6,527,341 B1	3/2003	Martin		10,040,378 B2	8/2018	Hansen	
6,880,482 B2	4/2005	Huse		10,065,711 B2	9/2018	Fuller, IV	
6,981,741 B2	1/2006	Sirjoo		10,182,953 B2	1/2019	Tsuber	
6,983,992 B2	1/2006	Oomori		D914,379 S *	3/2021	Levin .....	D6/356
D516,346 S *	3/2006	Cobb .....	D6/716	2004/0184895 A1	9/2004	Liao	
7,066,548 B2	6/2006	Butler		2005/0179288 A1	8/2005	Lizaso	
7,107,927 B2	9/2006	Hopper		2006/0033375 A1	2/2006	Wu	
7,125,079 B1	10/2006	Lee		2006/0202536 A1	9/2006	Luchetti	
7,137,351 B2	11/2006	Picou		2008/0035047 A1	2/2008	McDonough	
D540,126 S *	4/2007	Leahy .....	D6/368	2009/0146477 A1	6/2009	Yamada	
7,213,692 B2	5/2007	Wang		2010/0037814 A1	2/2010	Sahr	
D569,118 S	5/2008	Lin		2010/0102613 A1	4/2010	Labuwy	
7,367,616 B2	5/2008	Summerford		2012/0155949 A1	6/2012	Chang	
D673,786 S	1/2013	Szymaski		2013/0093232 A1	4/2013	Lin	
D675,837 S	2/2013	Szymaski		2015/0097405 A1	4/2015	Schukalski	
				2015/0274263 A1	10/2015	Nutz	
				2015/0313365 A1	11/2015	Thomas	
				2016/0262543 A1	9/2016	Currie	

\* cited by examiner

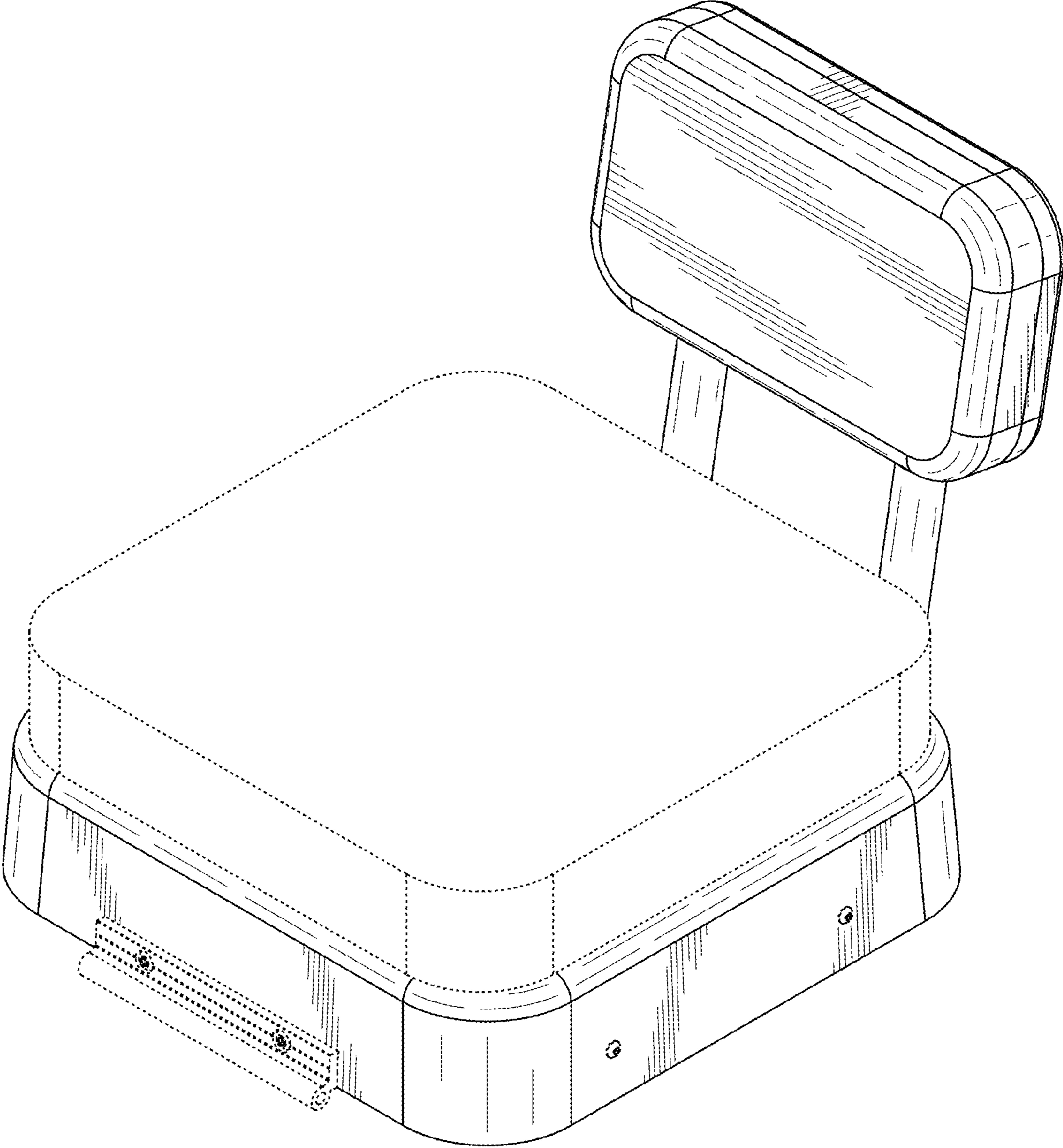


FIG. 1

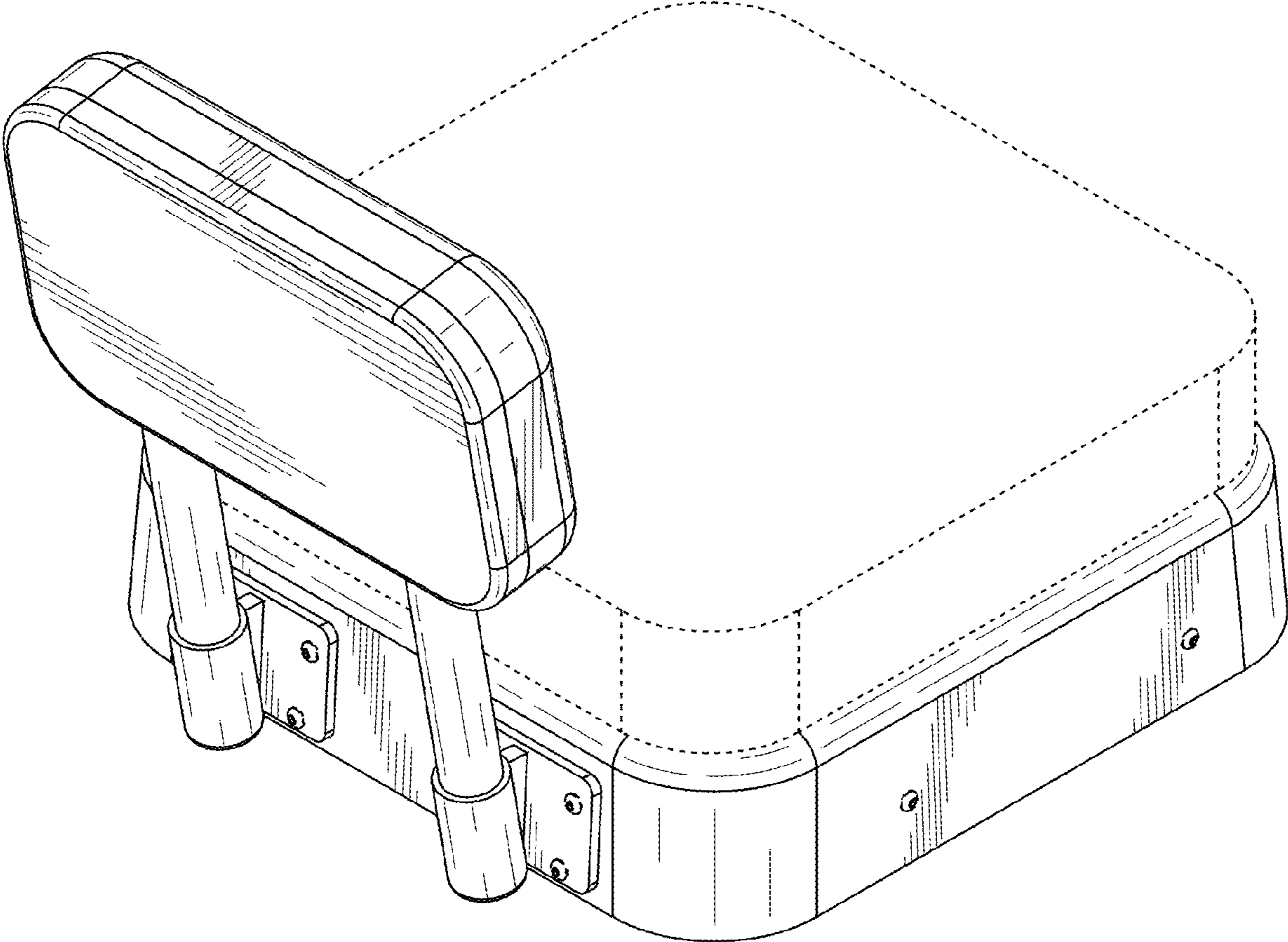


FIG. 2

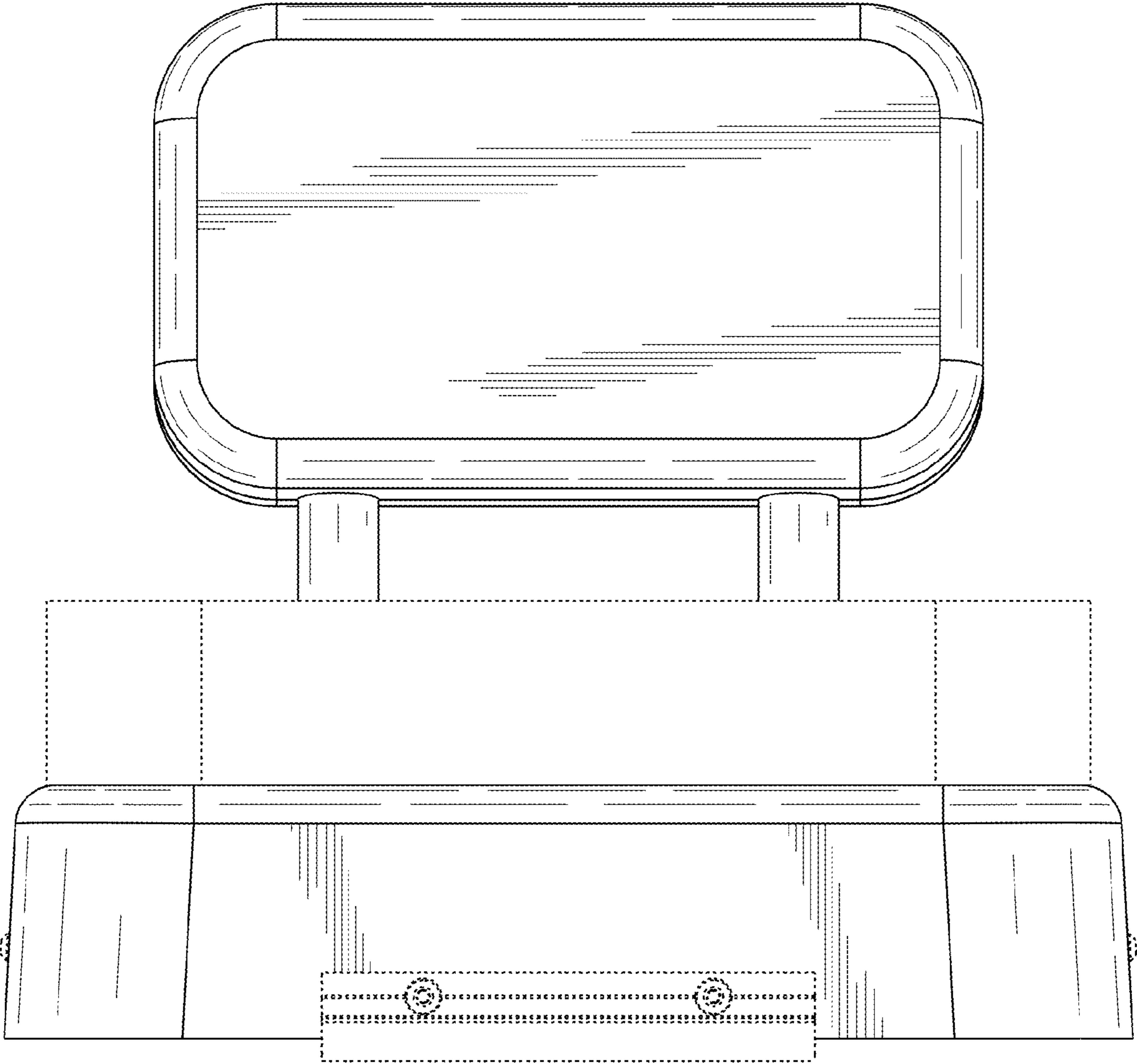


FIG. 3

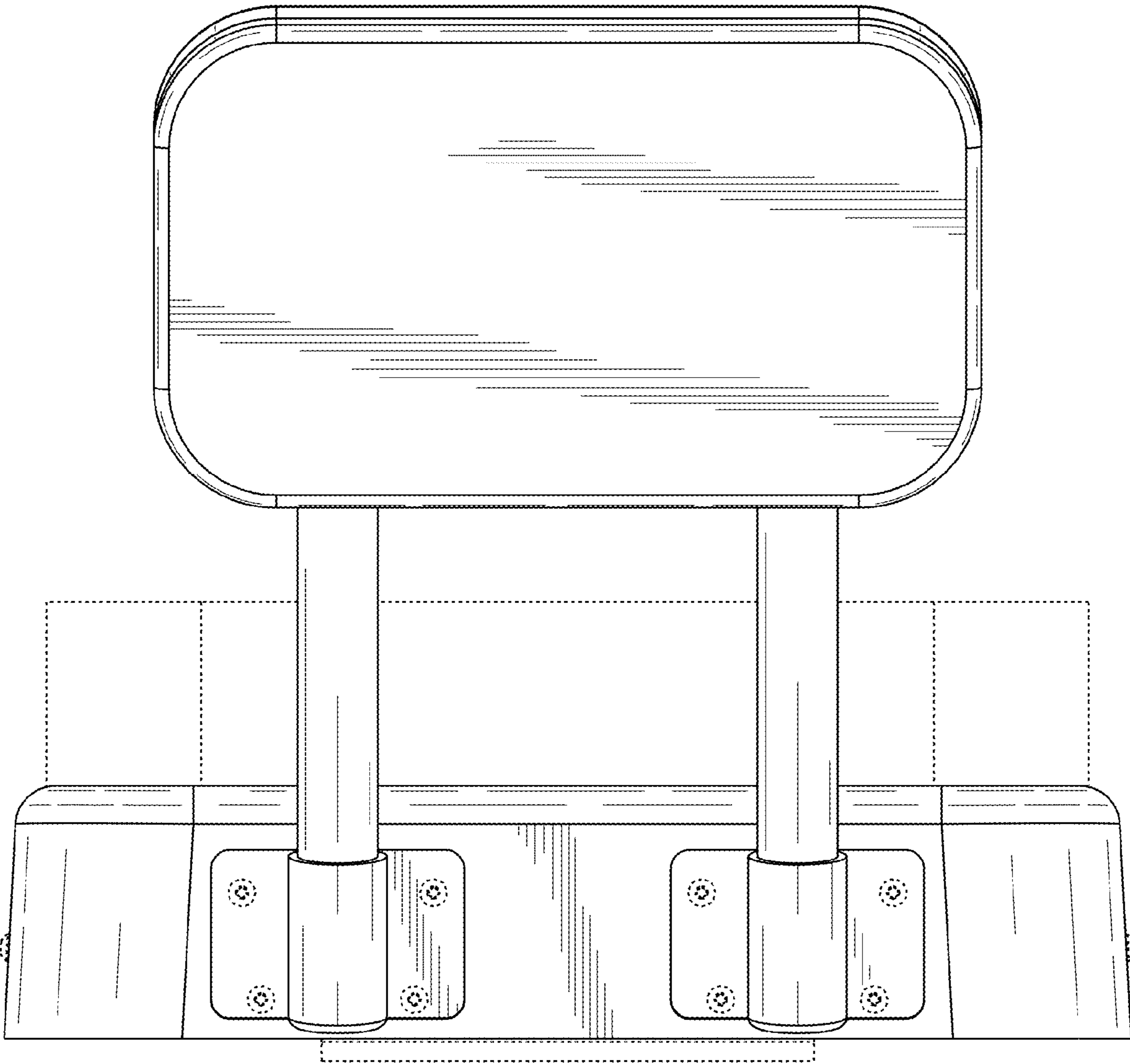


FIG. 4

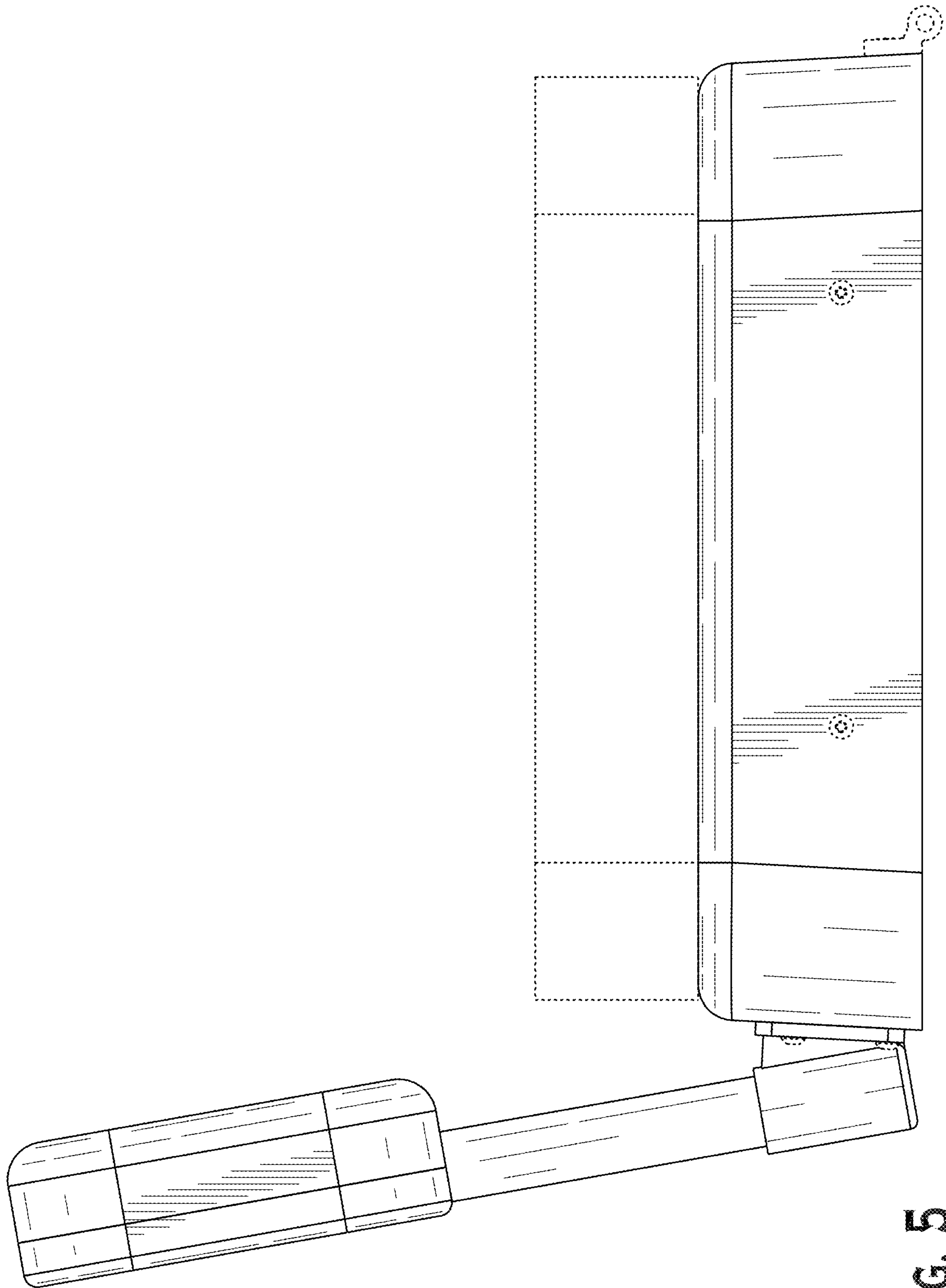


FIG. 5

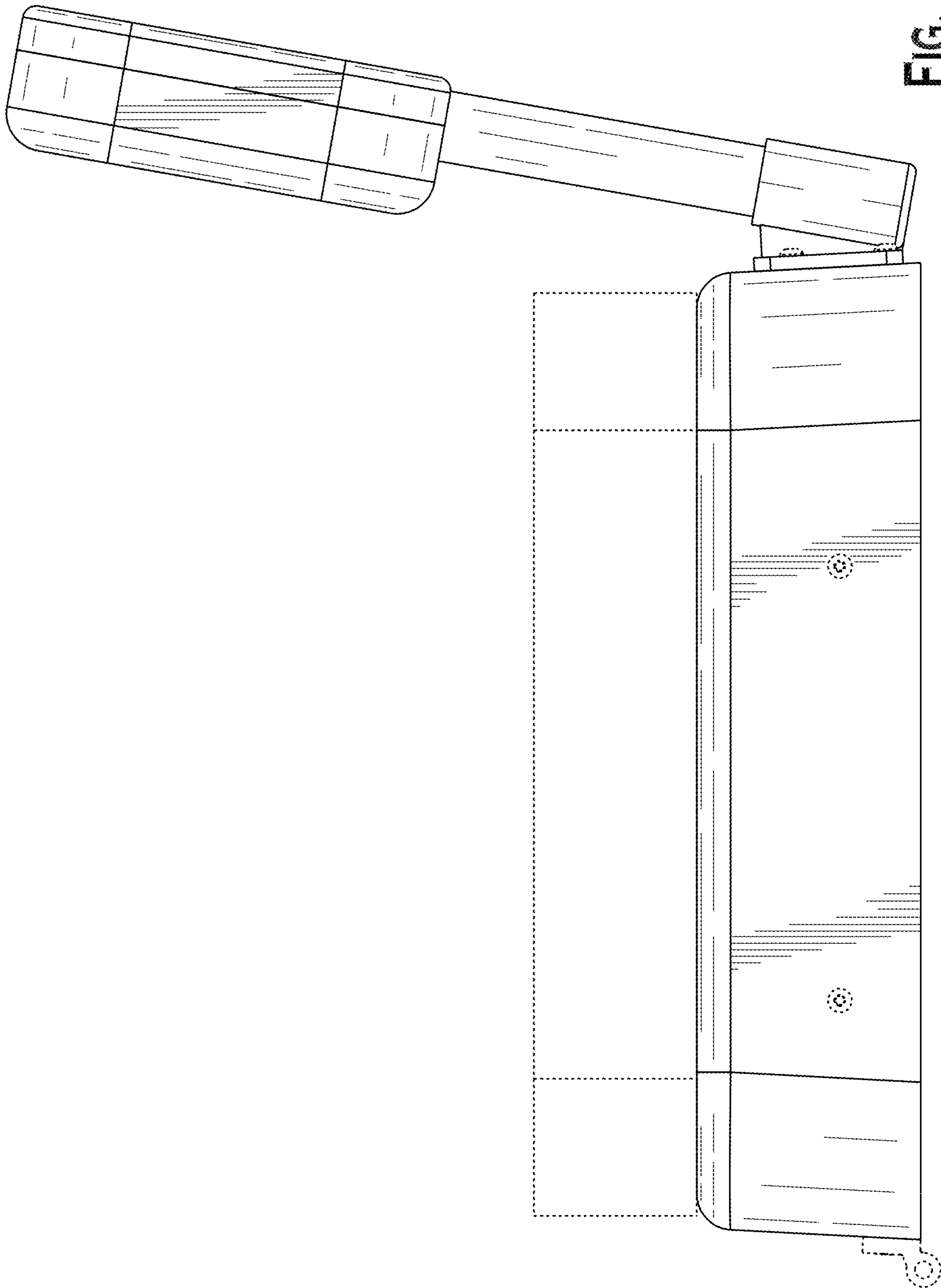


FIG. 6



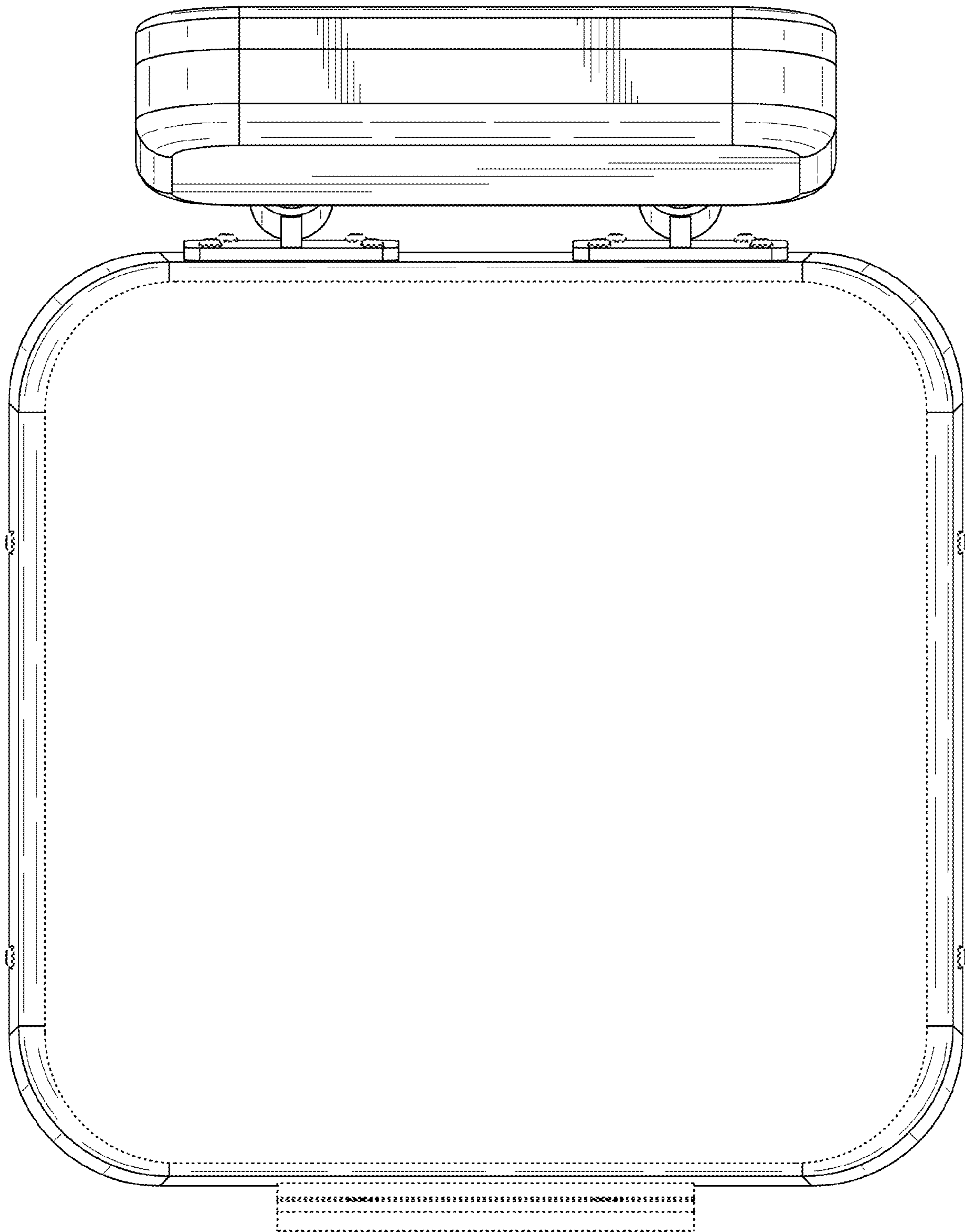


FIG. 7

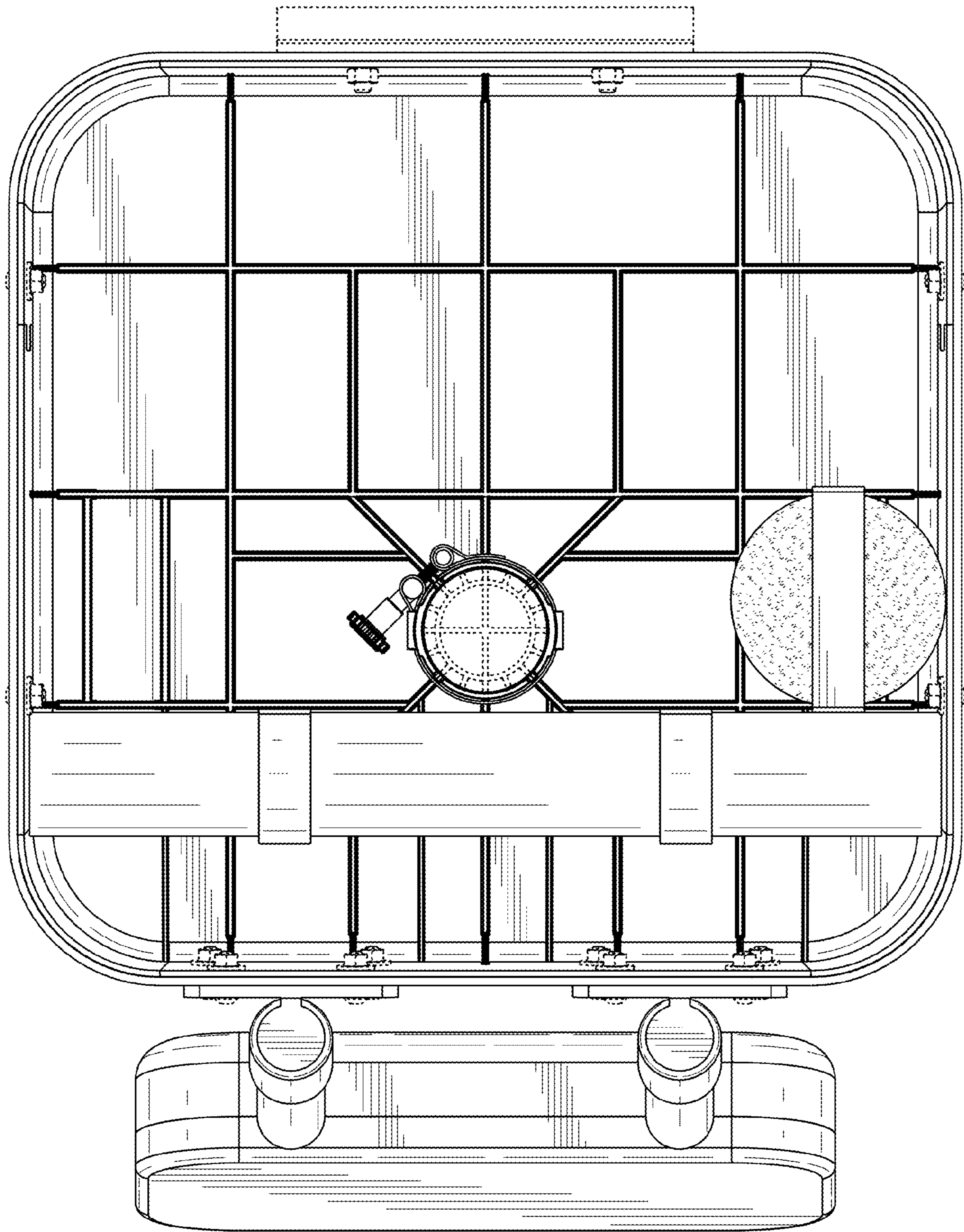


FIG. 8

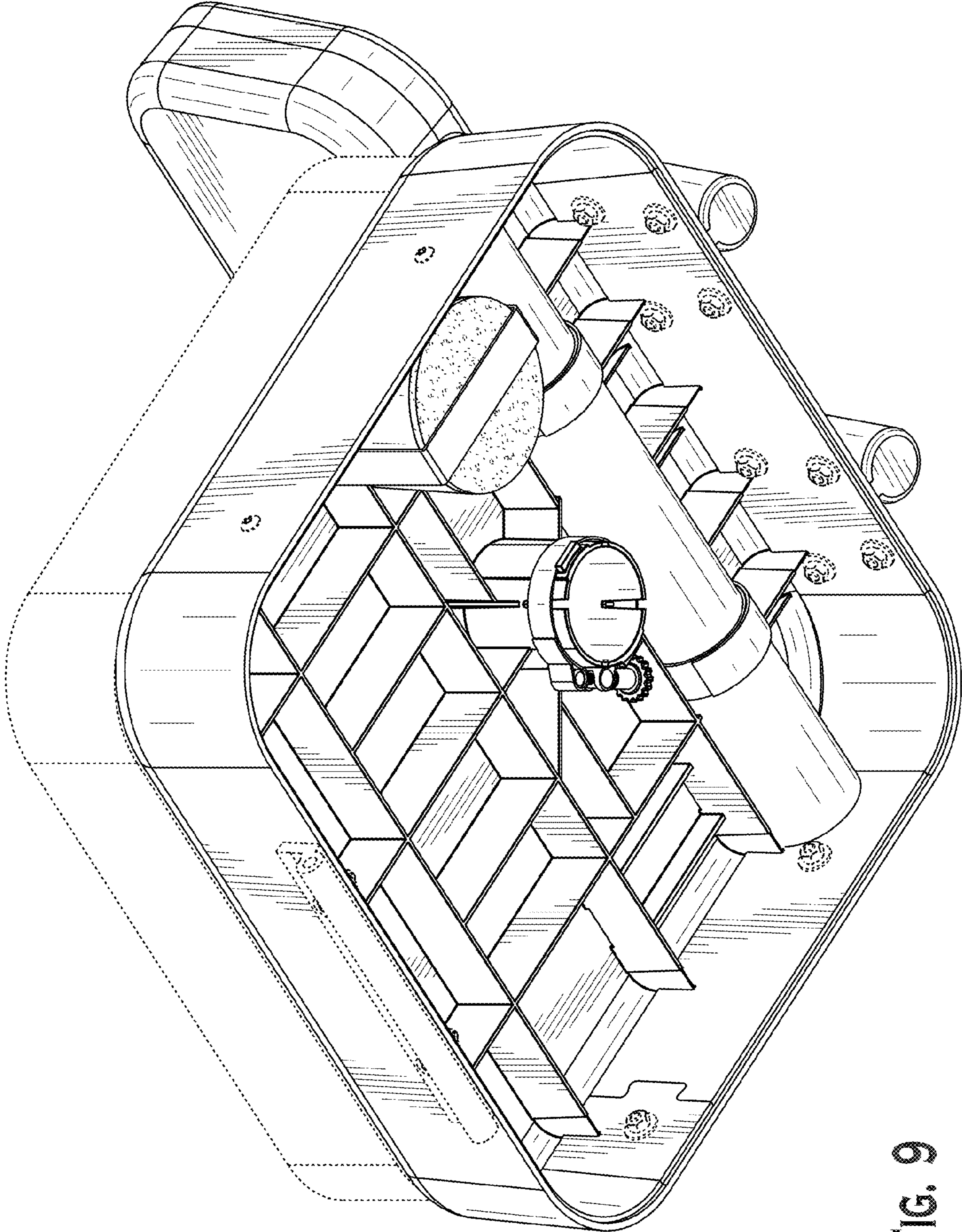


FIG. 9

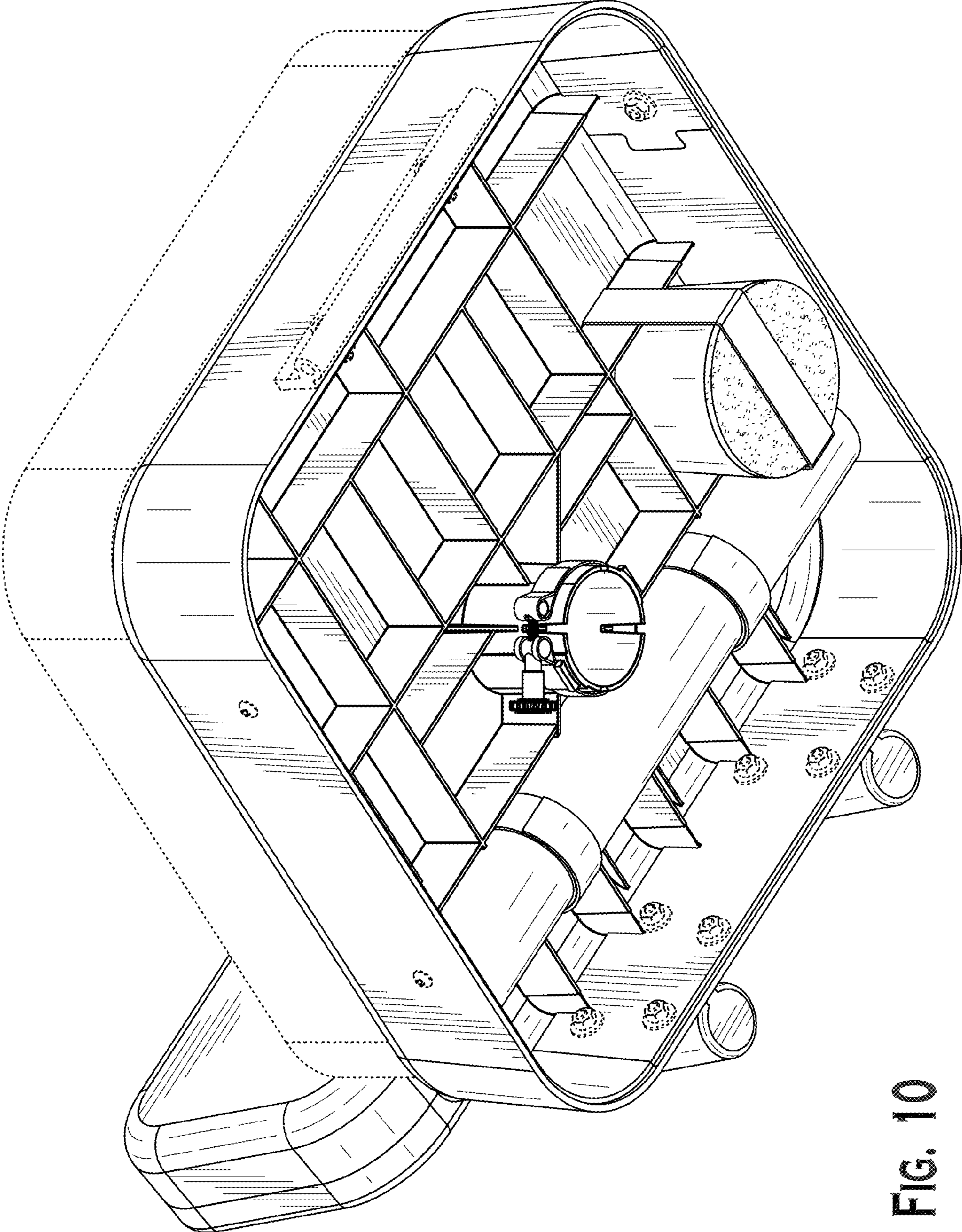


FIG. 10

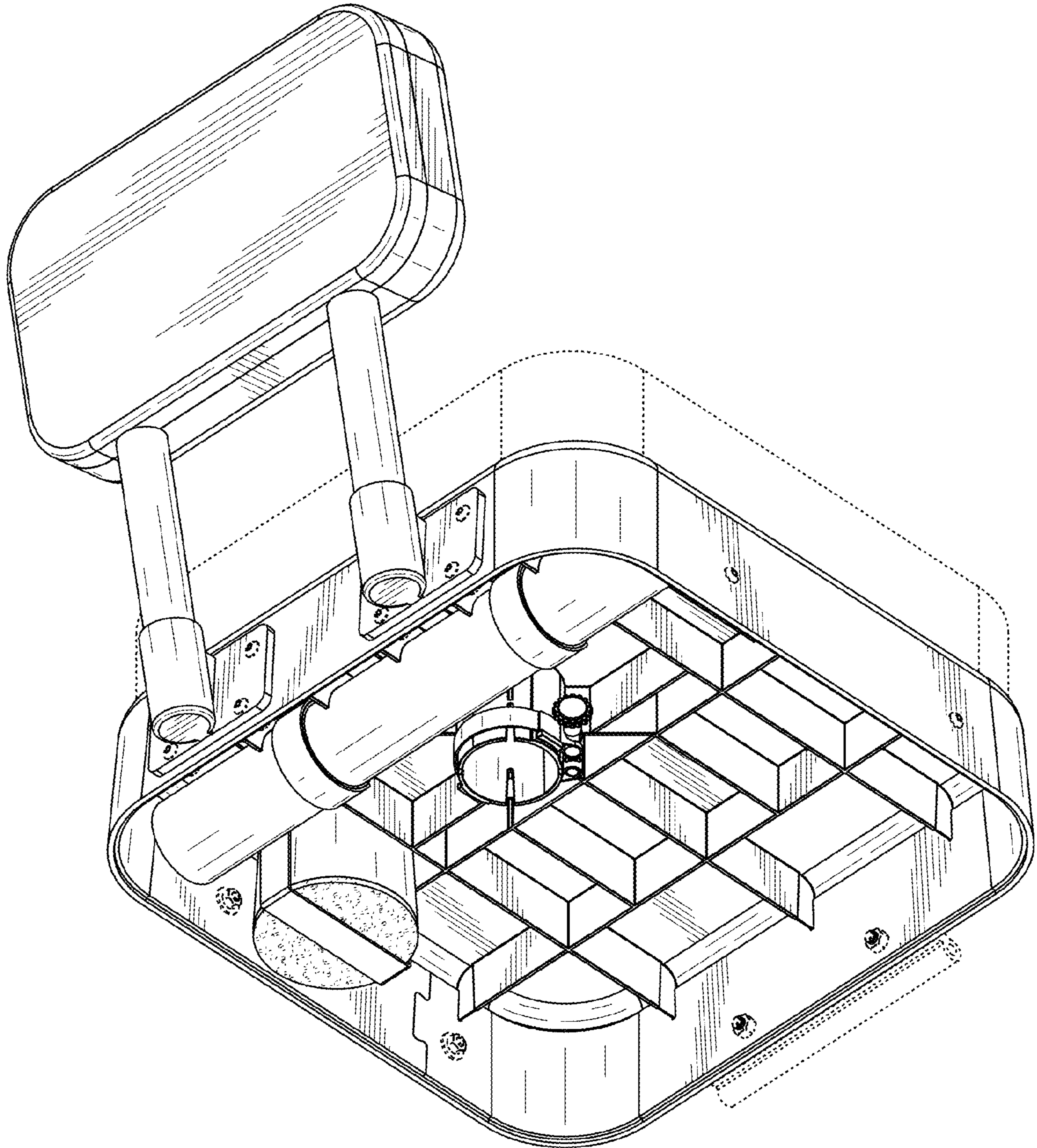


FIG. 11

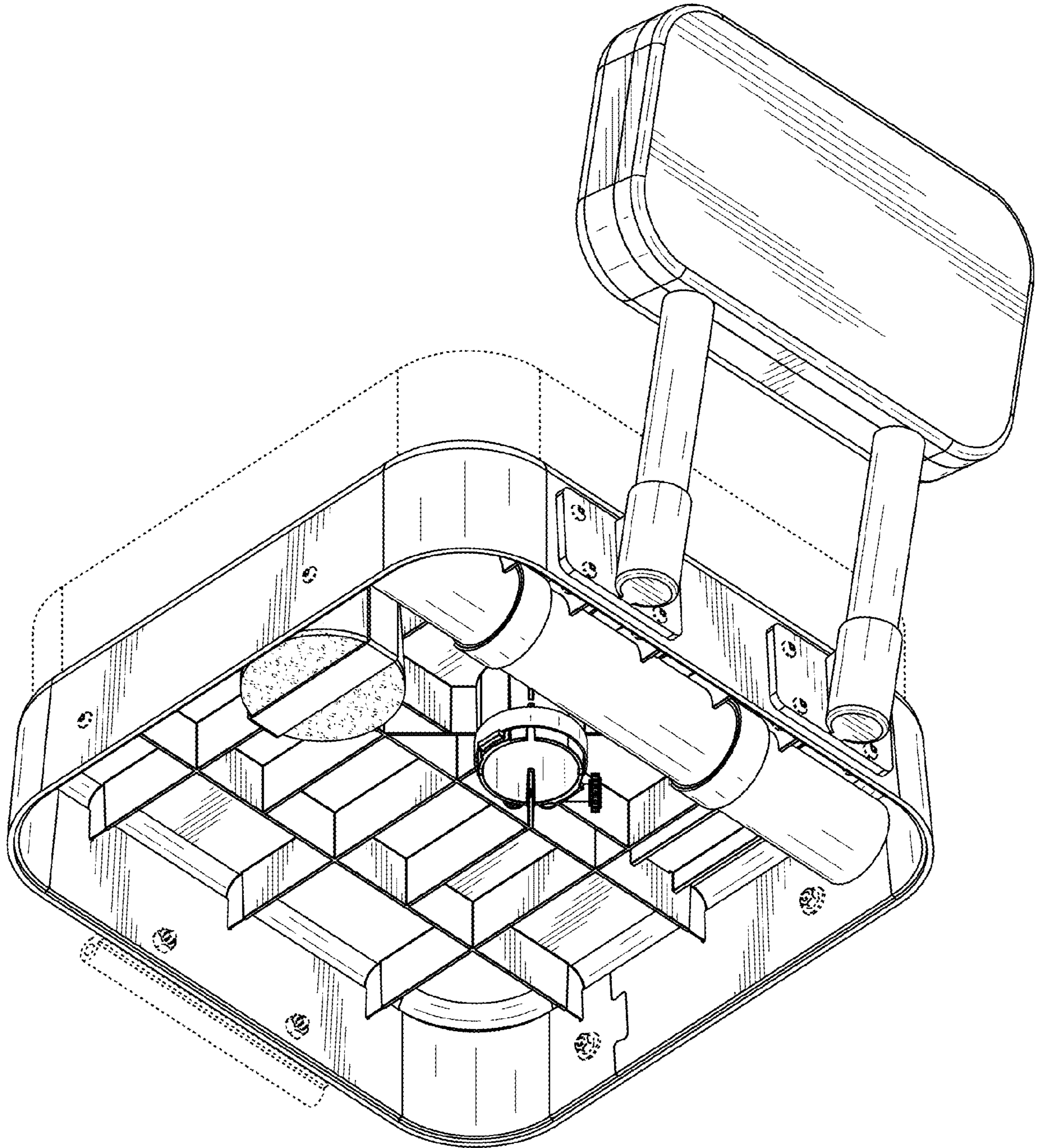


FIG. 12

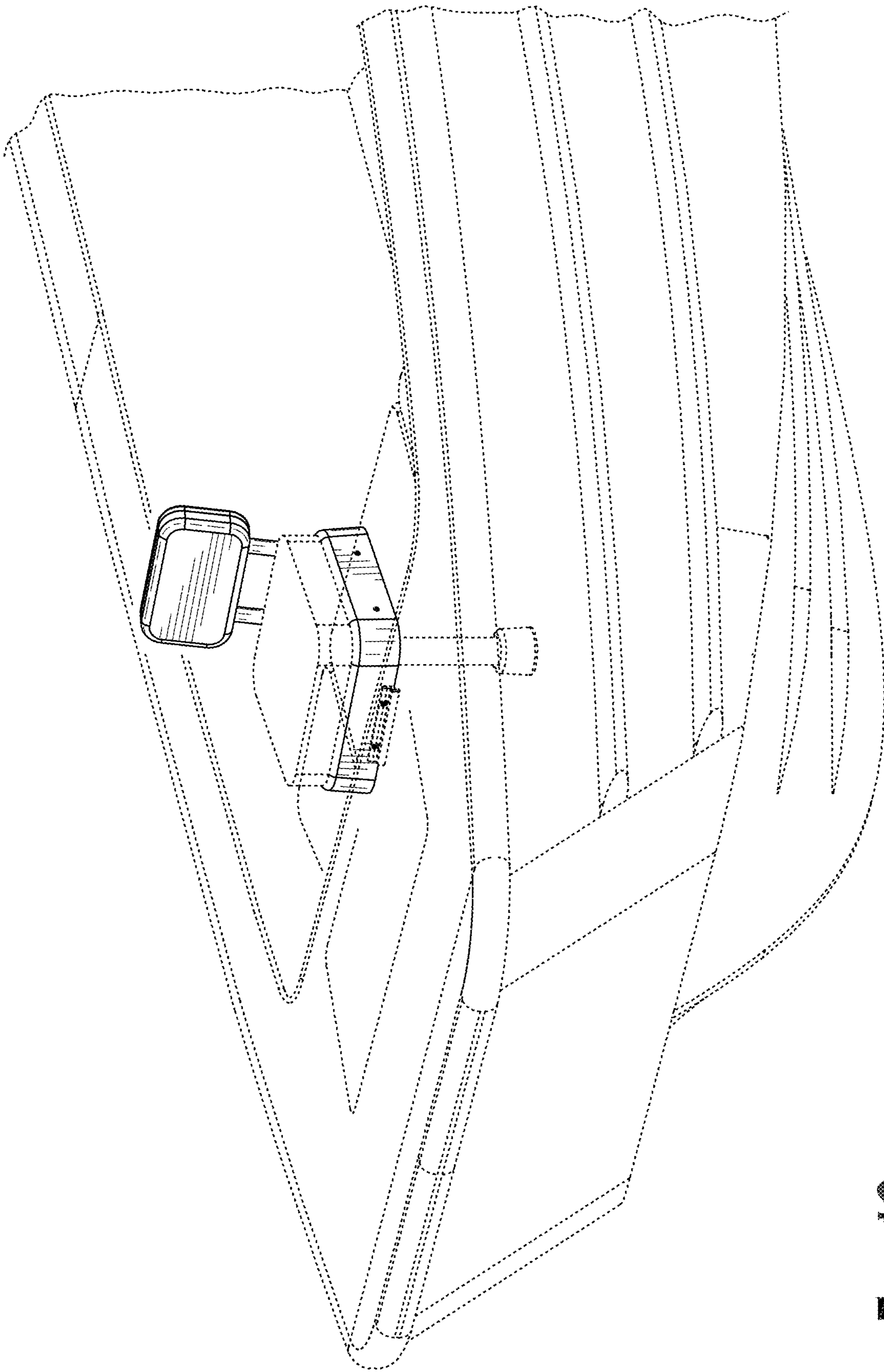


FIG. 13