



US00D964078S

(12) **United States Design Patent** (10) **Patent No.:** **US D964,078 S**
Davis et al. (45) **Date of Patent:** **** Sep. 20, 2022**

(54) **BASE FOR A TABLE**

- (71) Applicant: **WALKER EDISON FURNITURE COMPANY LLC**, West Jordan, UT (US)
- (72) Inventors: **Matthew Davis**, Millcreek, UT (US); **Brad Bonham**, Draper, UT (US); **Richard A. Packer**, Kaysville, UT (US)
- (73) Assignee: **Walker Edison Furniture Company LLC**, West Jordan, UT (US)
- (**) Term: **15 Years**

(21) Appl. No.: **29/746,386**

(22) Filed: **Aug. 13, 2020**

Related U.S. Application Data

- (62) Division of application No. 29/677,767, filed on Jan. 23, 2019, now Pat. No. Des. 900,519.
- (51) **LOC (13) Cl.** **06-06**
- (52) **U.S. Cl.**
USPC **D6/708**
- (58) **Field of Classification Search**
USPC D6/685, 686, 692, 692.1–692.6, 708, D6/708.16, 708.17, 708.2, 708.22, 709, D6/709.22
CPC A47B 7/00; A47B 13/00; A47B 13/003; A47B 13/02; A47B 13/04; A47B 13/06; A47B 2200/002
See application file for complete search history.

(56) **References Cited**

U.S. PATENT DOCUMENTS

- 1,652,942 A * 12/1927 James A47B 3/12 248/167
- D222,624 S * 11/1971 Gianfagna D6/692.6
- D247,402 S * 3/1978 Cohen D6/692.6

(Continued)

OTHER PUBLICATIONS

Walker Edison Cora Modern Glass Top Round Accent Table with X Base—Amazon <https://www.amazon.com/Walker-Edison-Furniture-Company-Round/dp/B071YPH8TN?th=1> retrieved from the internet on May 3, 2022.*

Primary Examiner — Mary Ann Calabrese
(74) *Attorney, Agent, or Firm* — Workman Nydegger

(57) **CLAIM**

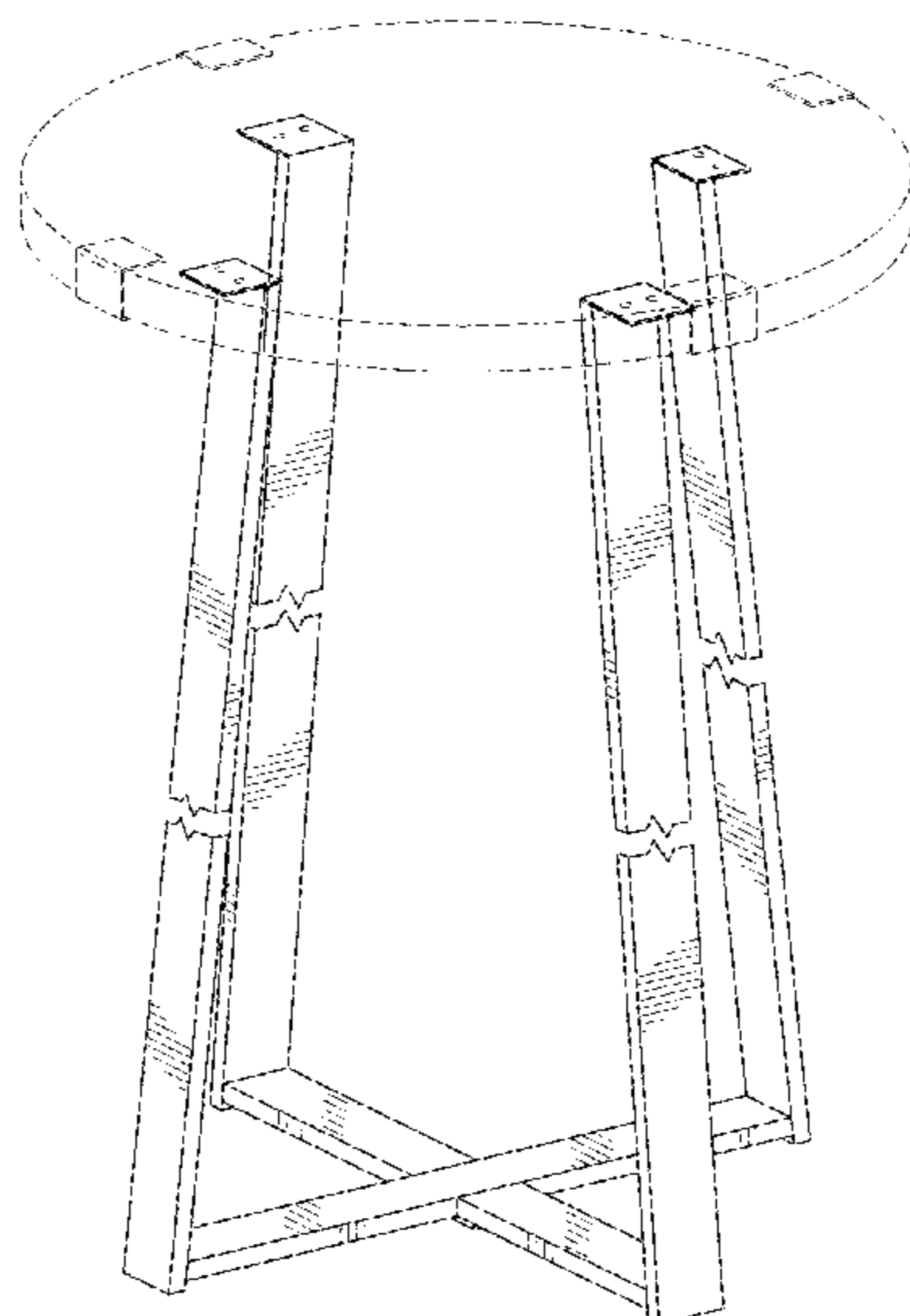
The ornamental design for a base for a base of a table, as shown and described.

DESCRIPTION

FIG. 1 is a front perspective view of a base for a table showing the new design; FIG. 2 is a front elevation view thereof; FIG. 3 is a back elevation view thereof; FIG. 4 is a top plan view thereof; FIG. 5 is a bottom plan view thereof; FIG. 6 is a right elevation view thereof; FIG. 7 is a left elevation view thereof; FIG. 8 is a front perspective view of a second embodiment of a base for a table showing the new design; FIG. 9 is a front elevation view thereof; FIG. 10 is a back elevation view thereof; FIG. 11 is a top plan view thereof; FIG. 12 is a bottom plan view thereof; FIG. 13 is a right elevation view thereof; and, FIG. 14 is a left elevation view thereof.

The broken lines in the drawings are for illustrating portions of the article that form no part of the claimed design. The base for a table is shown with symbolic breaks in its legs. The appearance of any portion of the article between the break lines forms no part of the claimed design. The break lines themselves are for illustrating the breakaway and form no part of the claimed design.

1 Claim, 8 Drawing Sheets



(56)

References Cited

U.S. PATENT DOCUMENTS

D258,104 S	*	2/1981	Baker	D6/692
D265,364 S	*	7/1982	Walker	D6/680
D441,992 S	*	5/2001	Noll	D6/708
D693,613 S	*	11/2013	Polidoros	A47B 27/14 D6/708
D747,904 S	*	1/2016	Haynes	D6/692
D876,864 S	*	3/2020	He	A47B 3/12 D6/692.6
D890,557 S	*	7/2020	Piva	D6/708
D900,519 S	*	11/2020	Davis	D6/692
D915,804 S	*	4/2021	van Thiel	D6/692.6

* cited by examiner

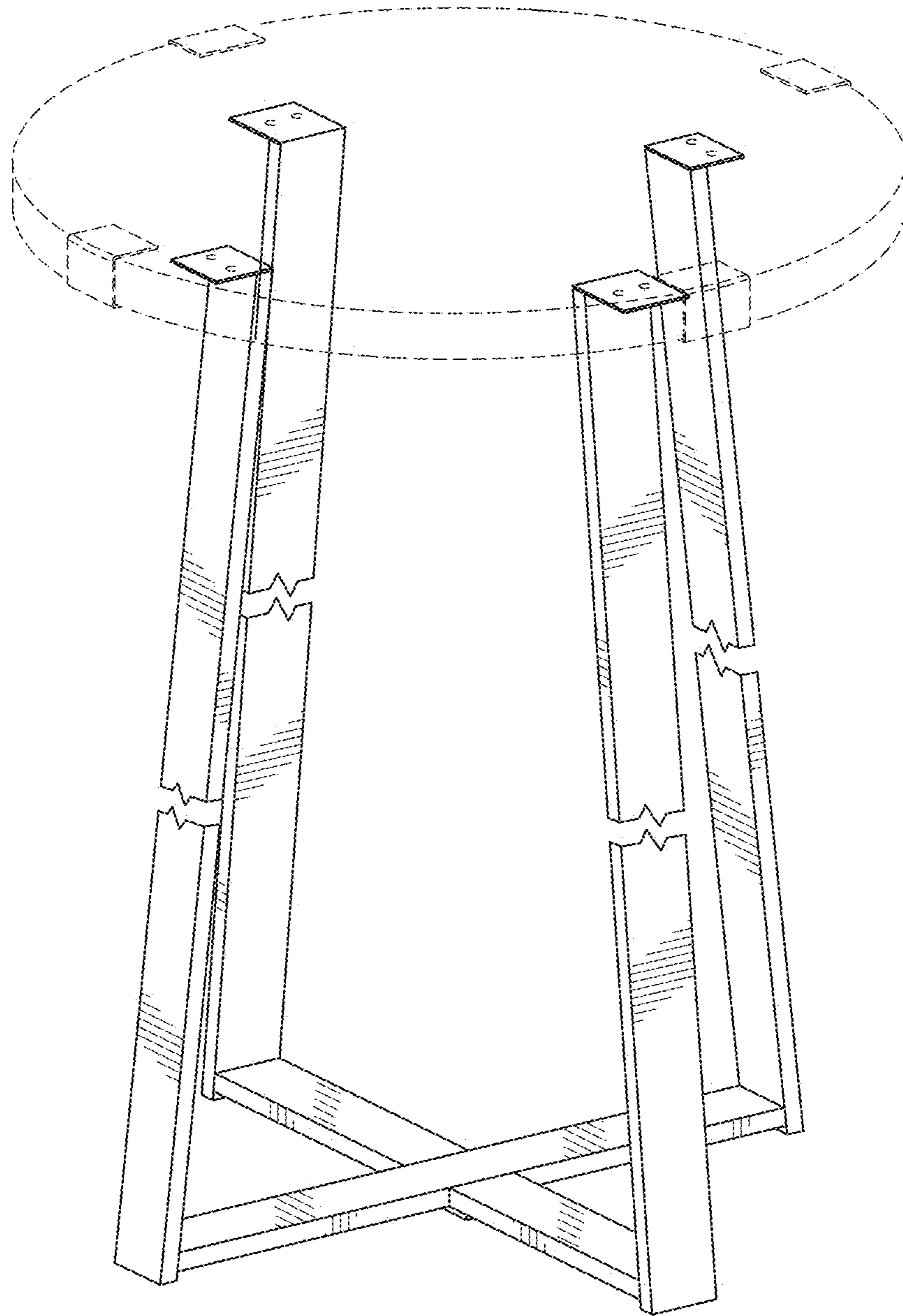


FIG. 1

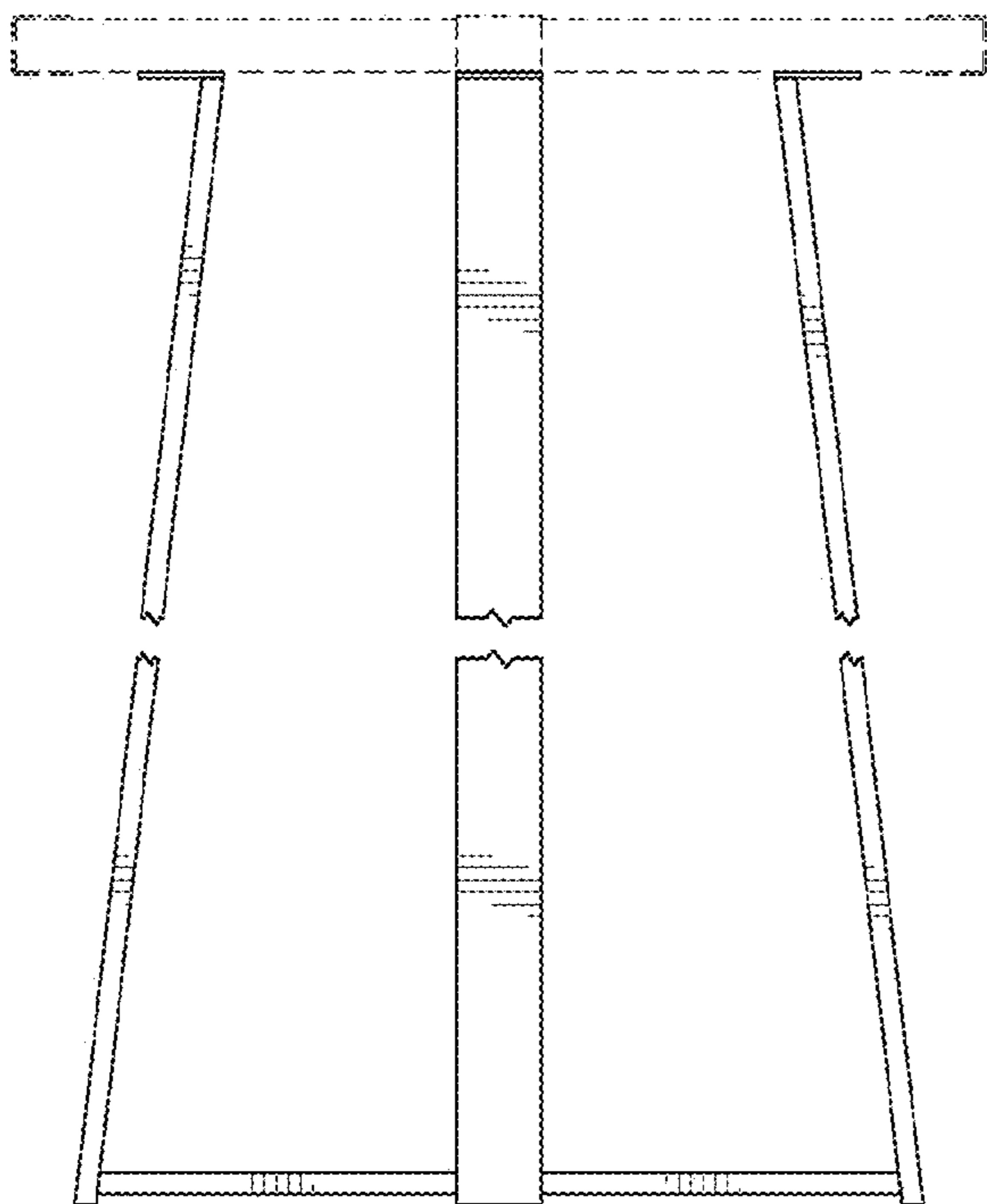


FIG. 2

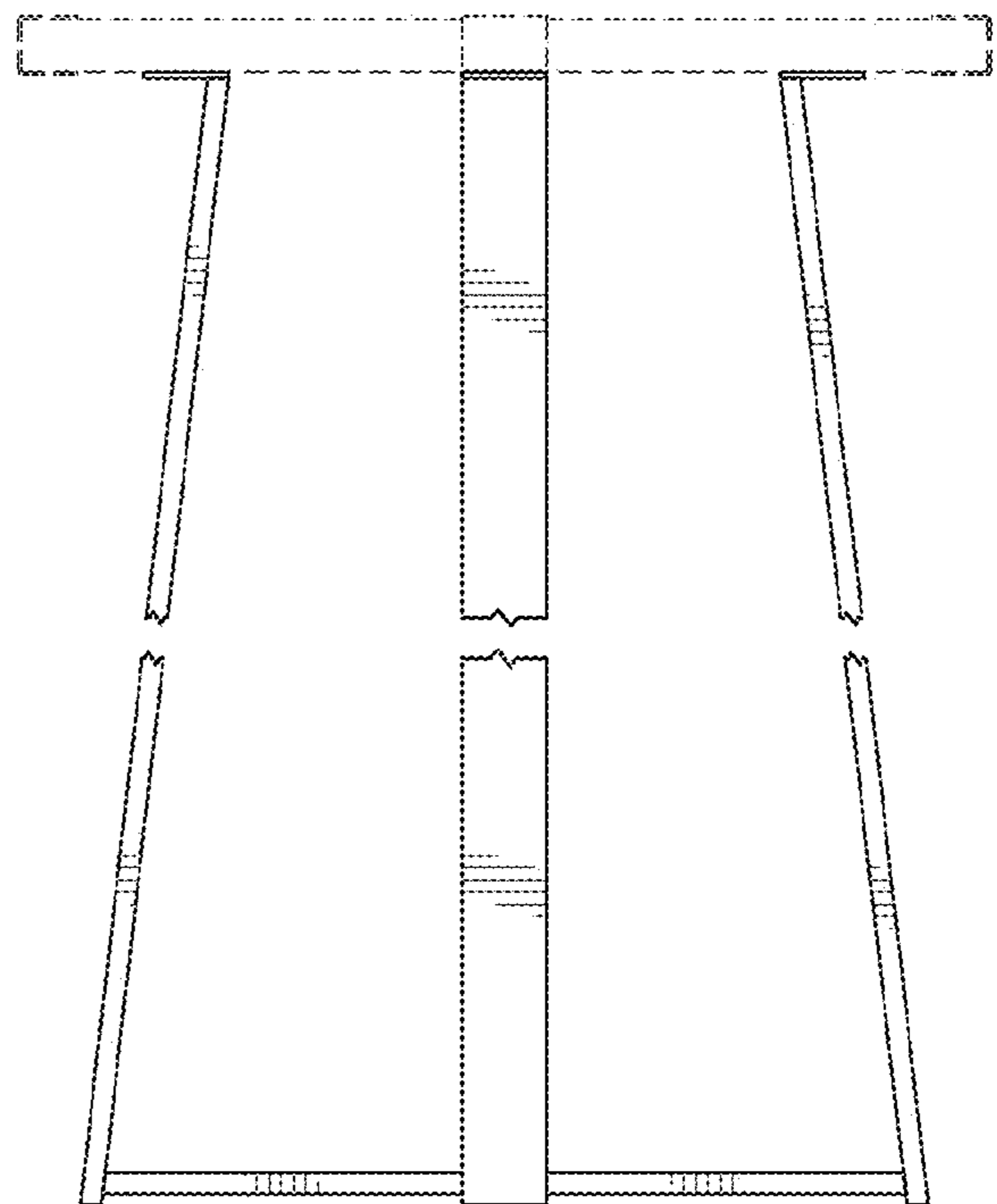


FIG. 3

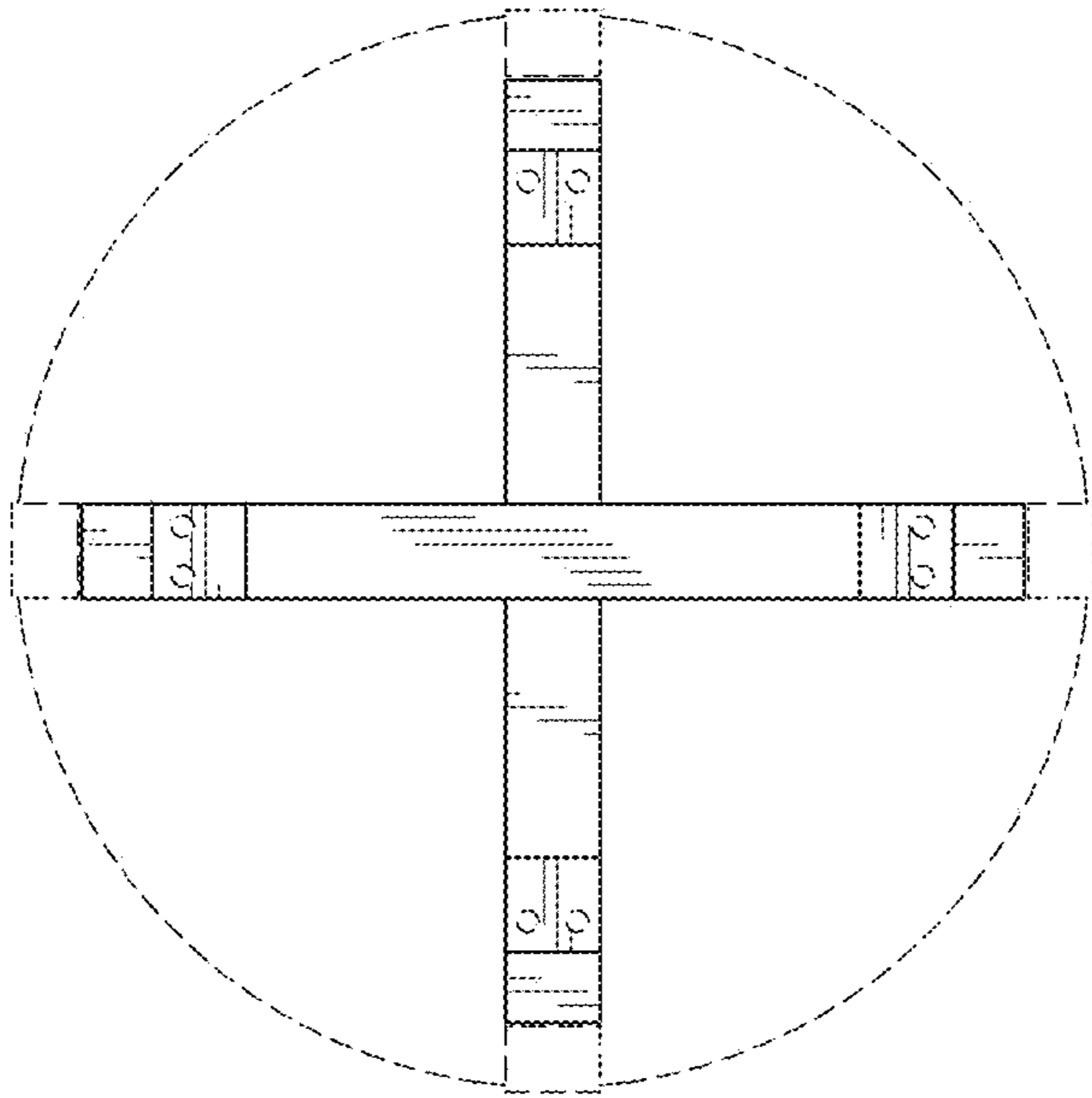


FIG. 4

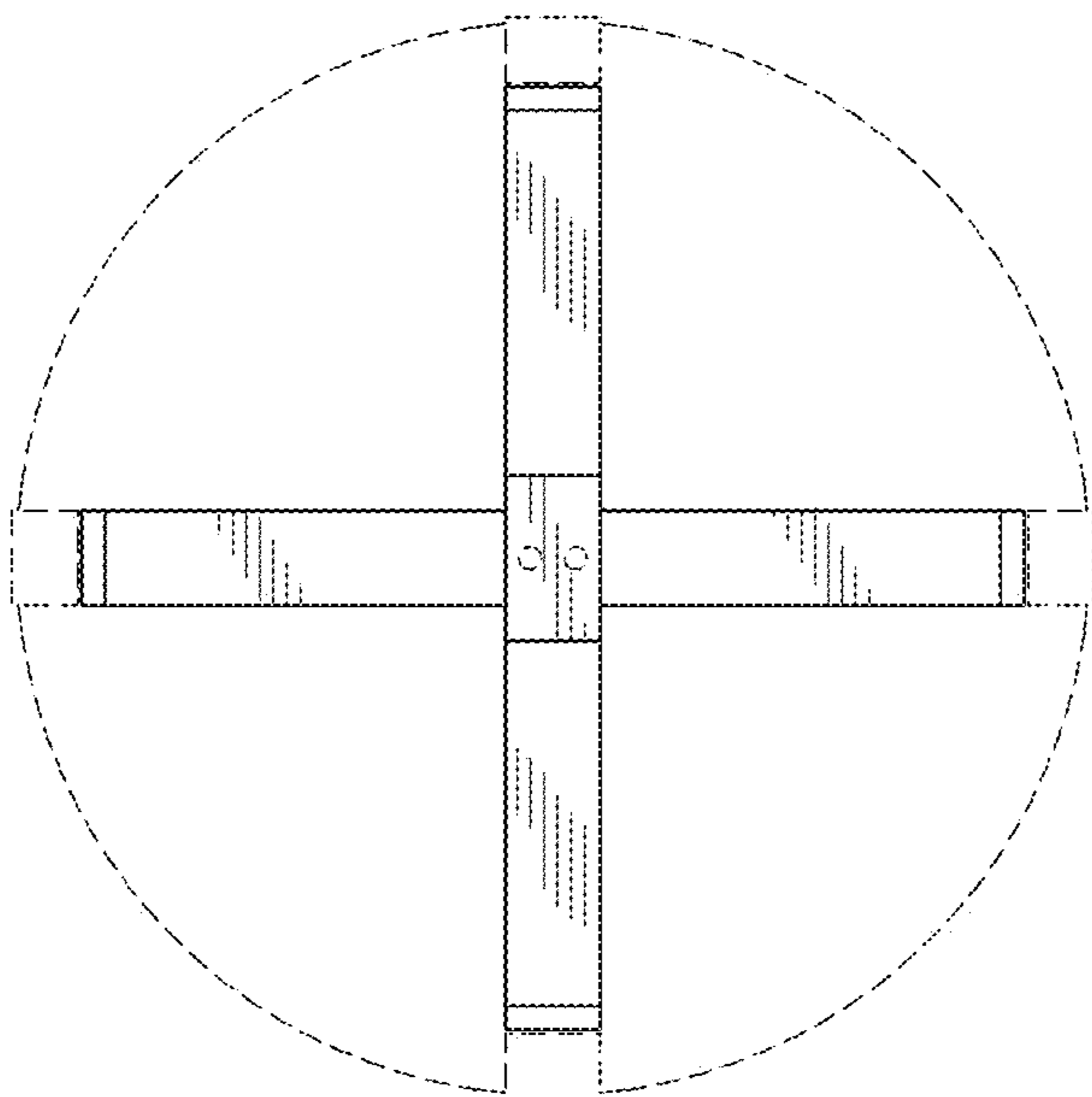


FIG. 5

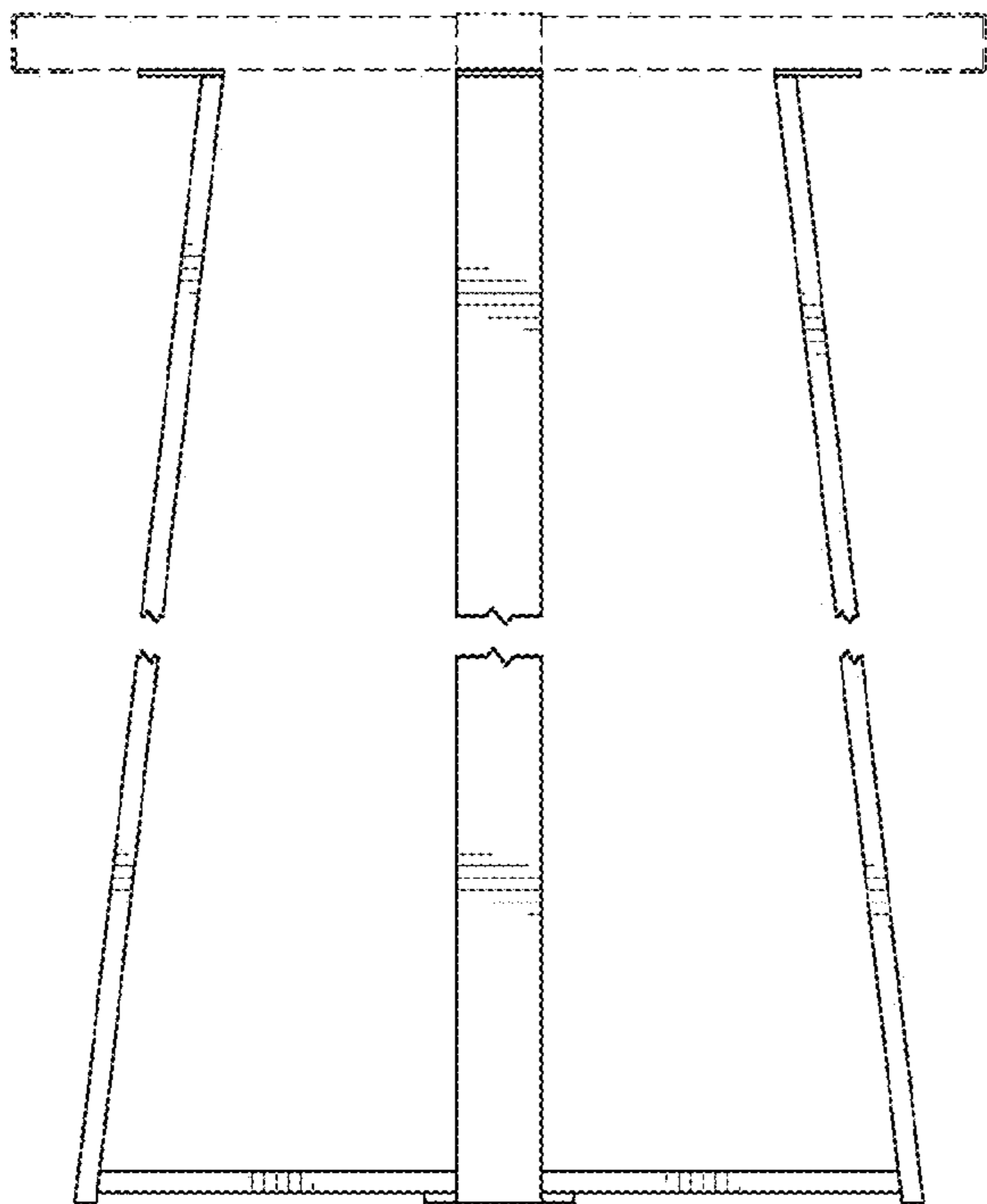


FIG. 6

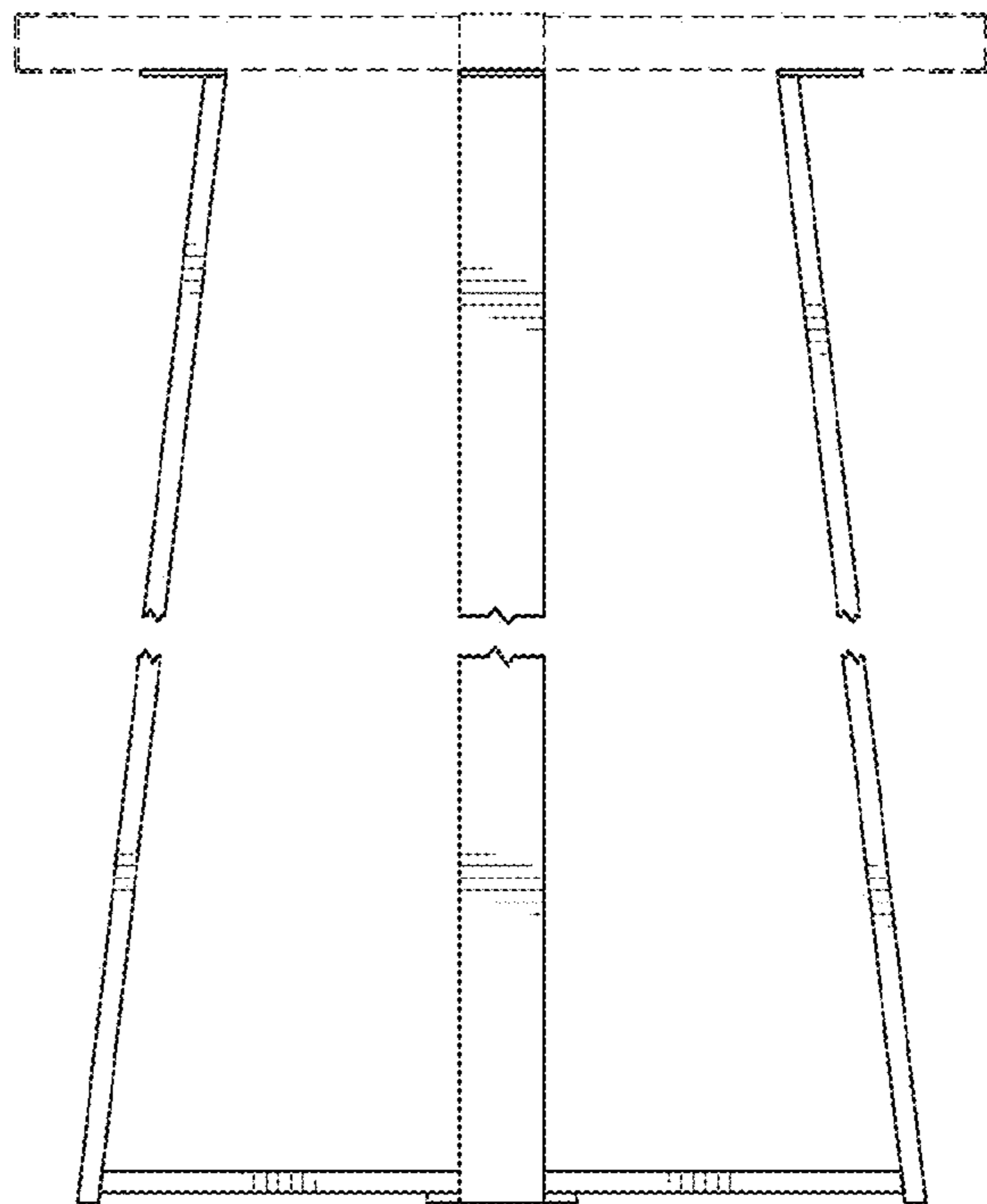


FIG. 7

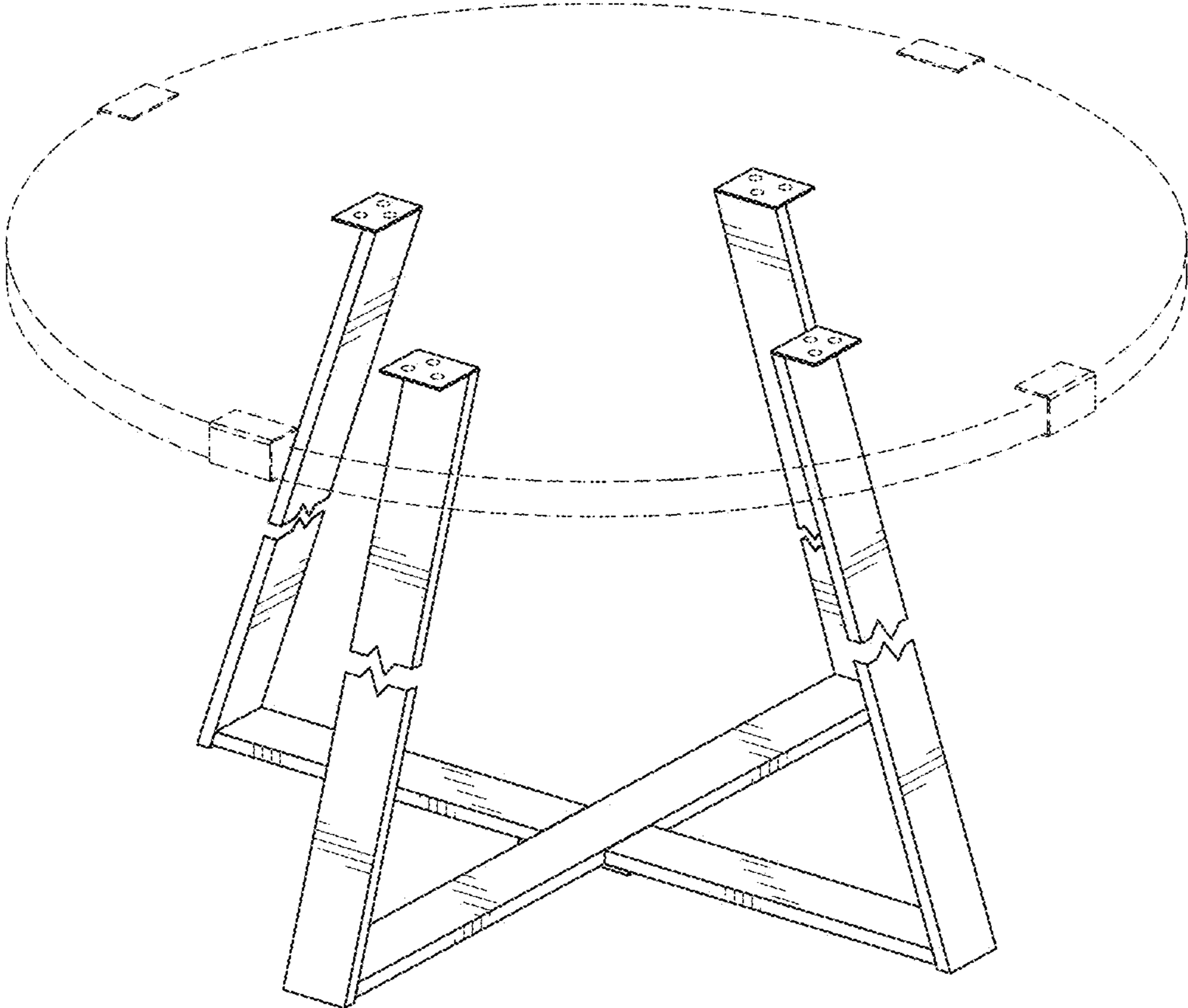


FIG. 8

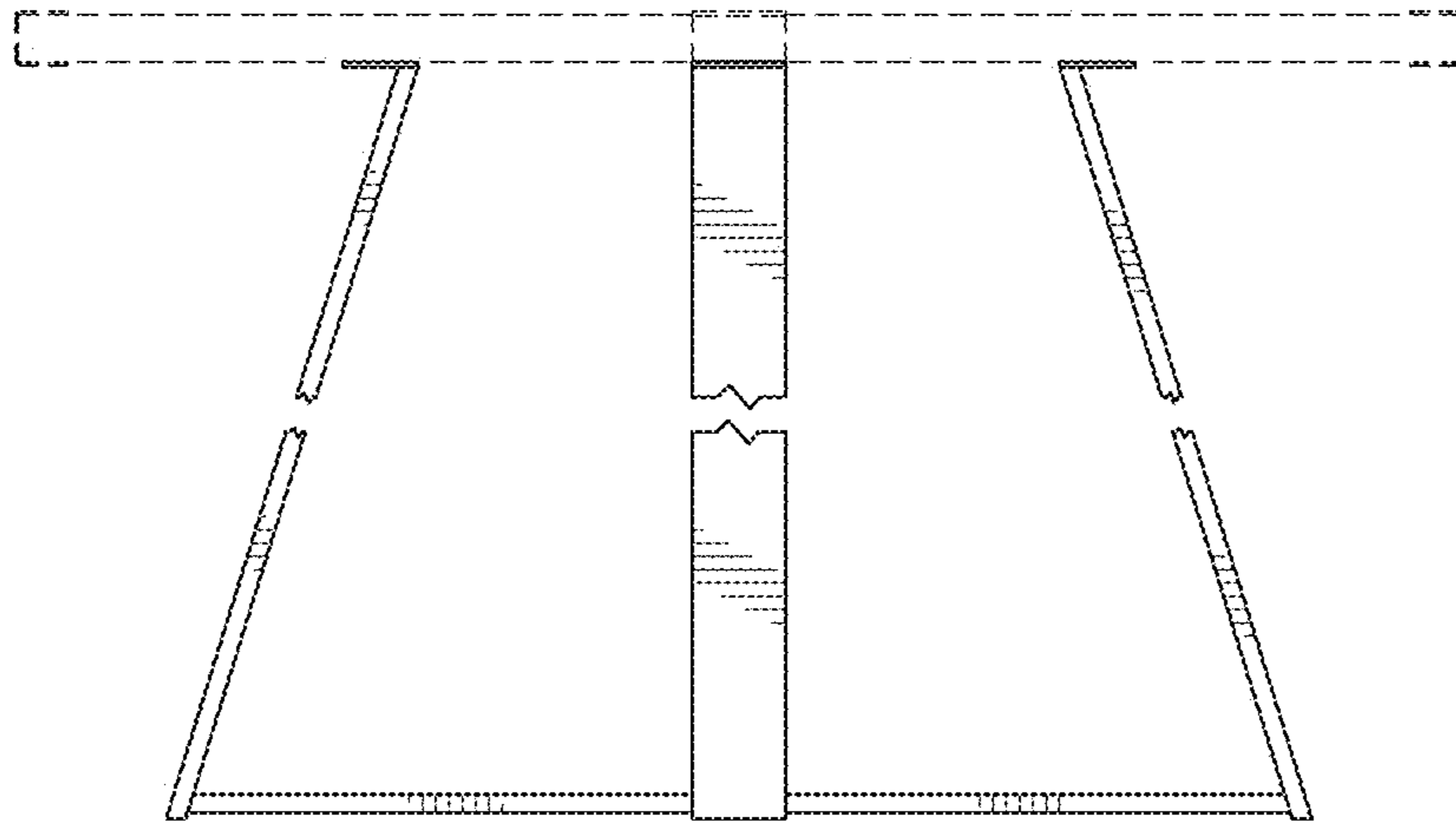


FIG. 9

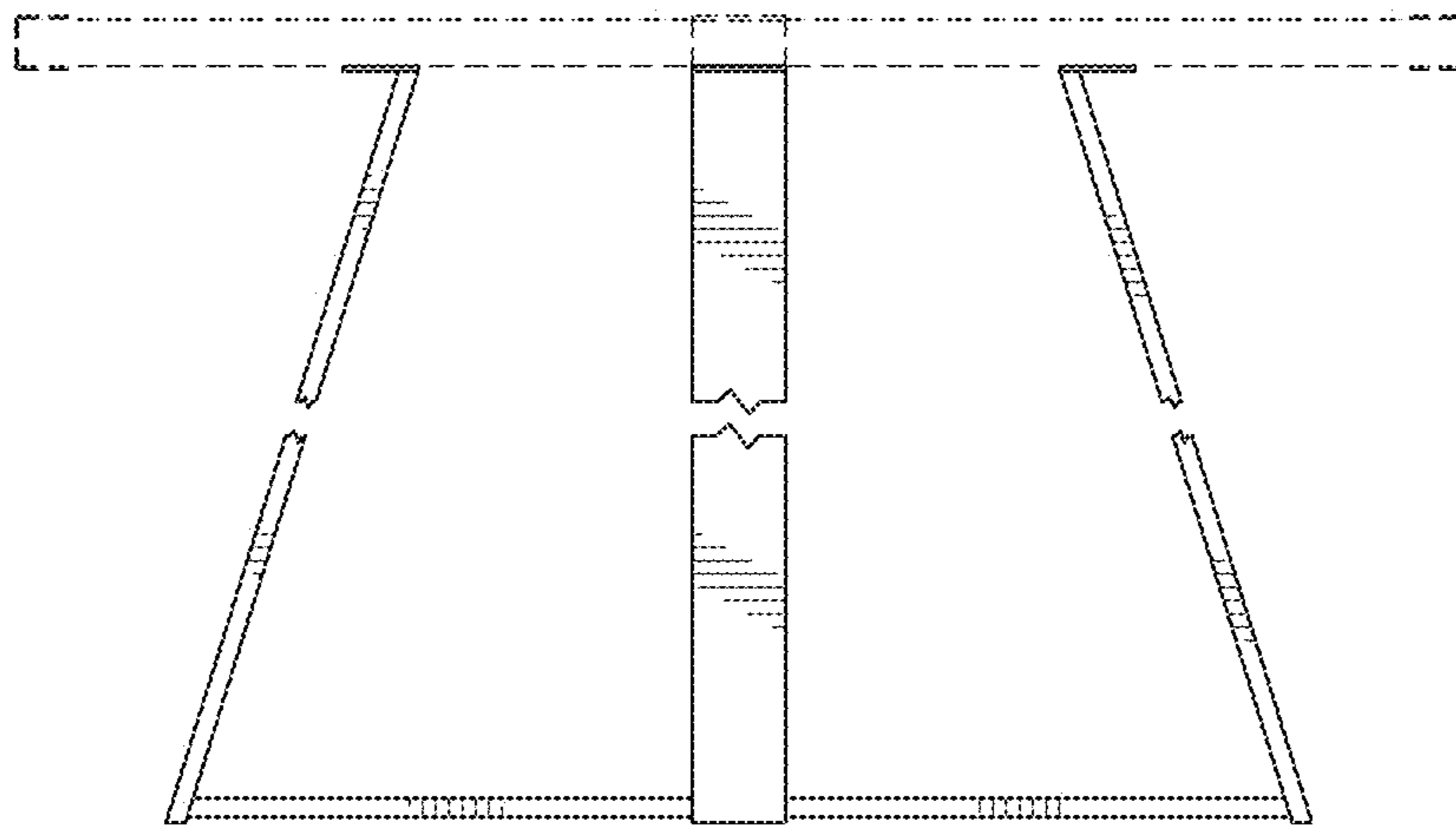


FIG. 10

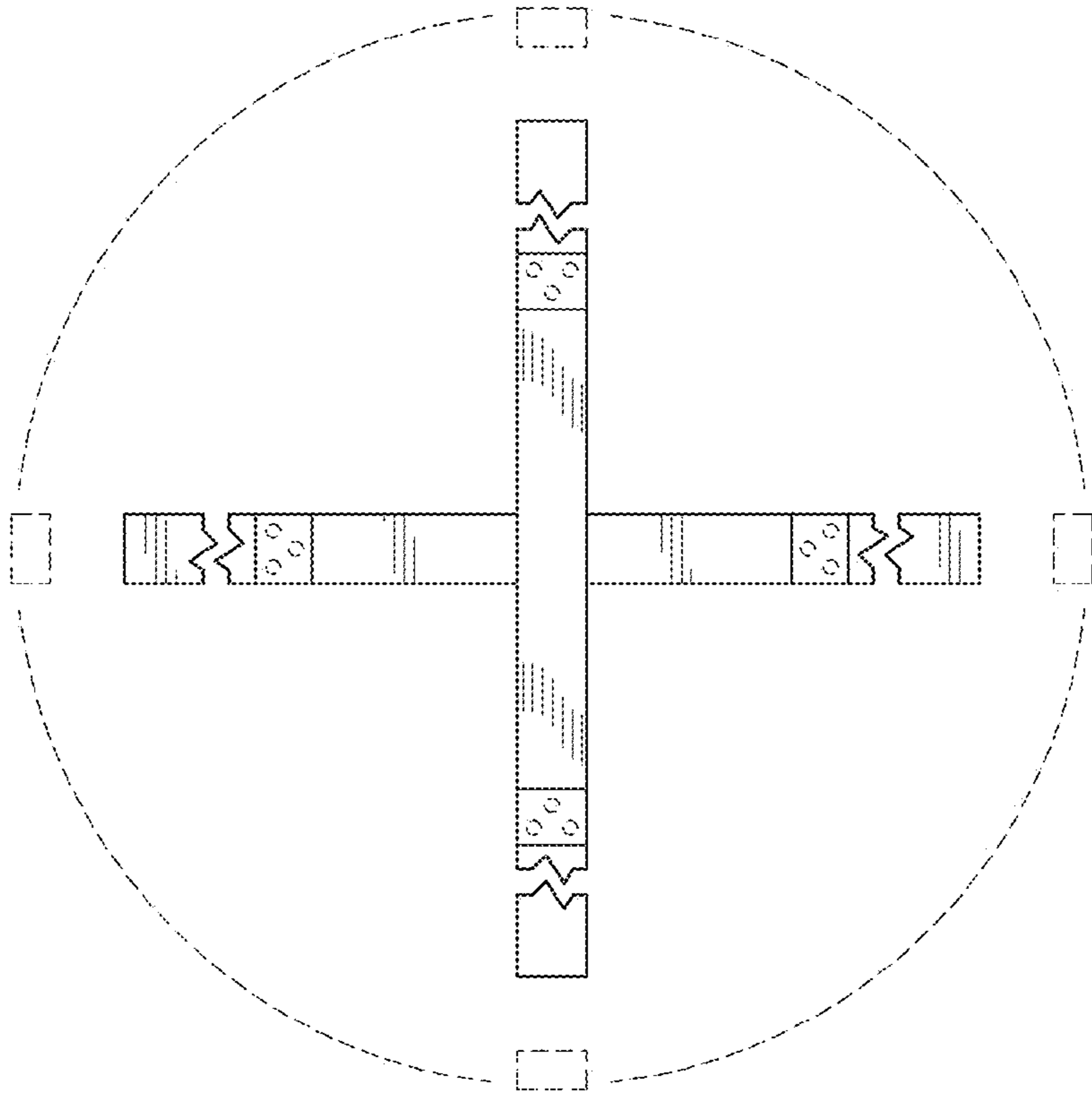


FIG. 11

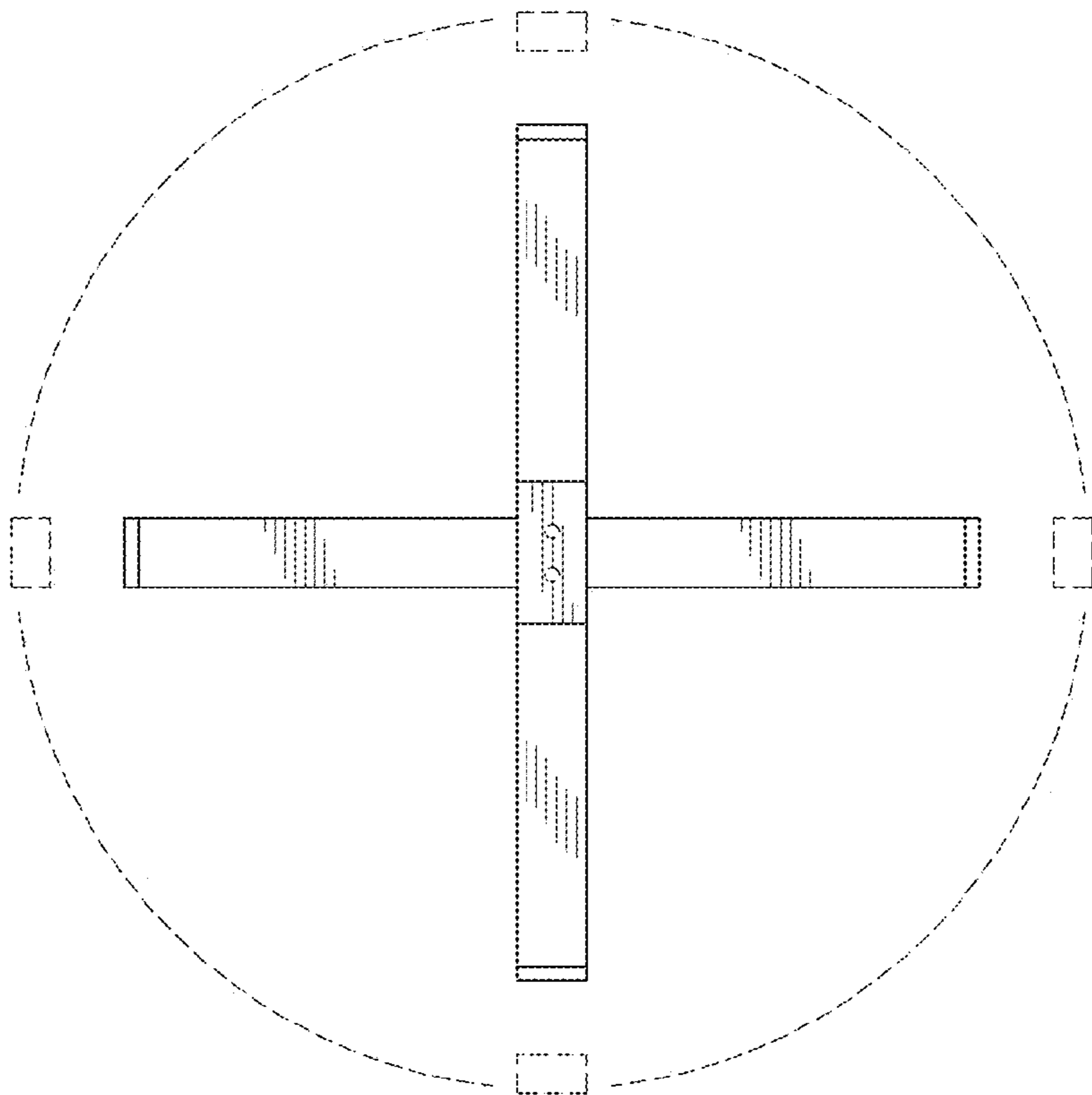


FIG. 12

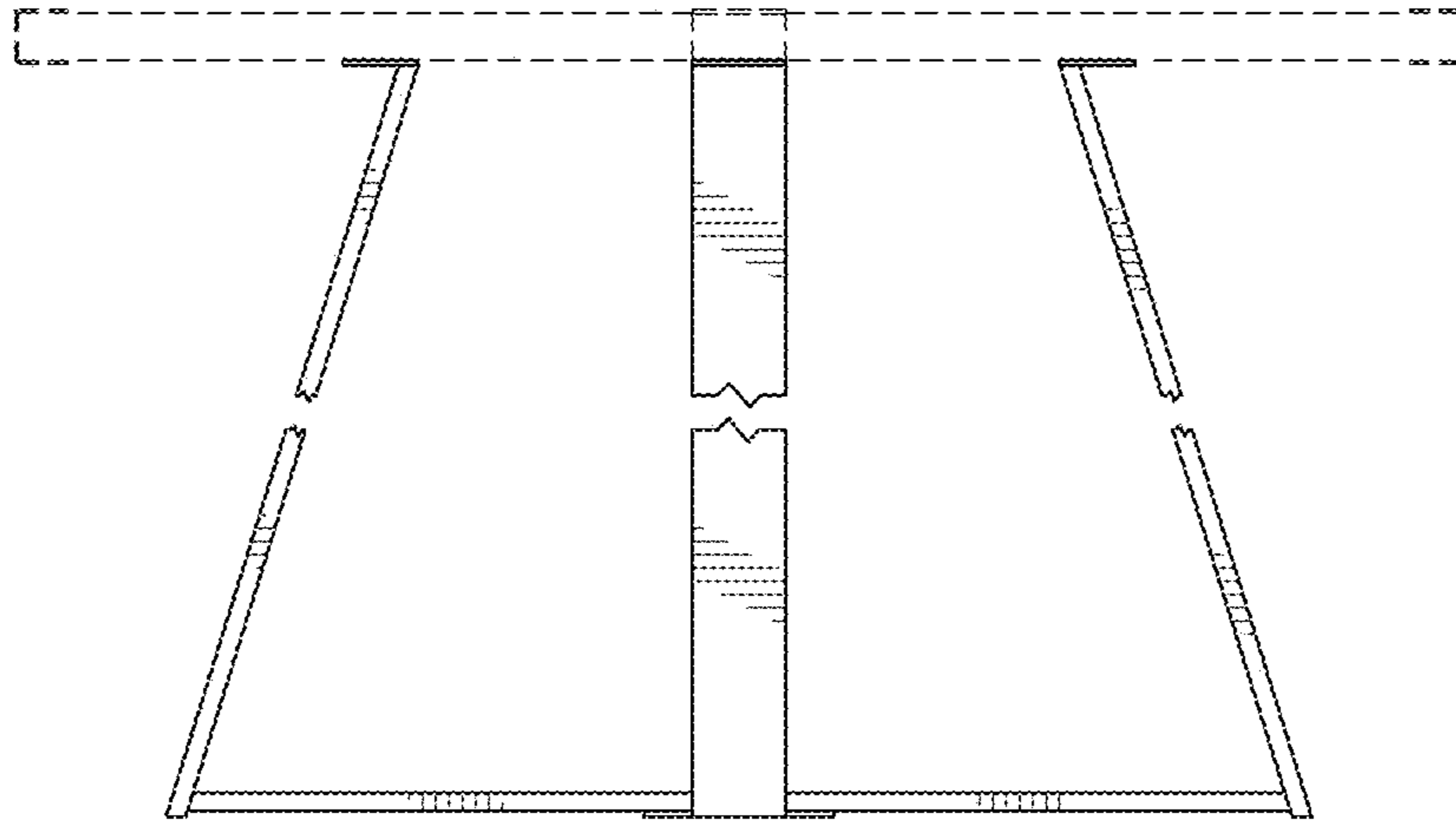


FIG. 13

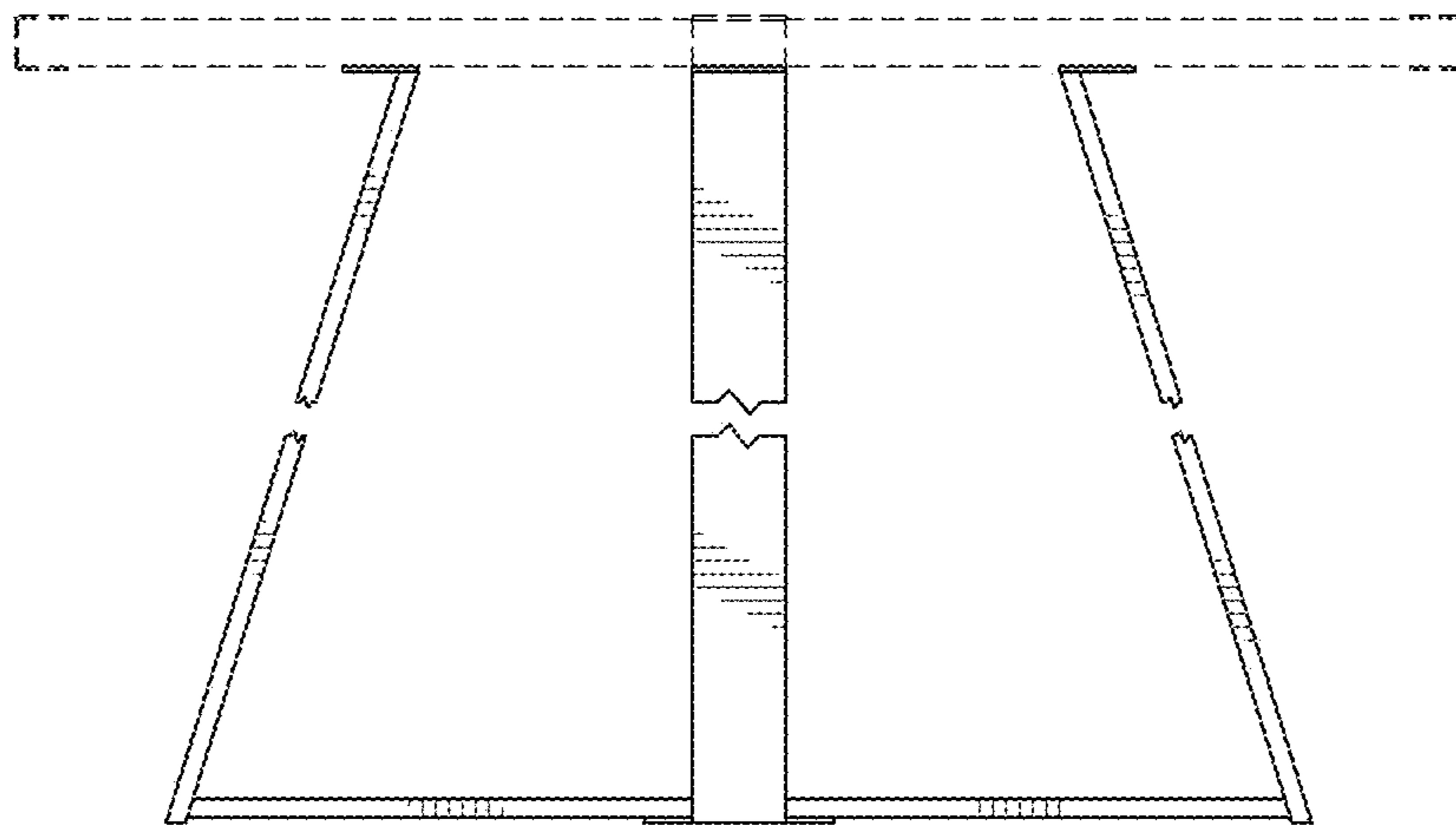


FIG. 14