



US00D964076S

(12) **United States Design Patent** (10) **Patent No.:** **US D964,076 S**
Song (45) **Date of Patent:** **** Sep. 20, 2022**

(54) **SIDE TABLE**
(71) Applicant: **Ziel Home Furnishing Technology Co., Ltd., Zhengzhou (CN)**
(72) Inventor: **Chuan Song, Zhengzhou (CN)**
(**) Term: **15 Years**

D314,878 S * 2/1991 Hart D6/691.3
D399,066 S * 10/1998 Malatesta D6/349
D557,524 S * 12/2007 Simpson D6/692.4
D611,737 S * 3/2010 Miller D6/692
D720,143 S * 12/2014 Barber D6/349
D720,161 S * 12/2014 Udagawa D6/691.3
D720,948 S * 1/2015 Gonzalez D6/696.3
D780,492 S * 3/2017 Terada D6/692
D836,960 S * 1/2019 Rockwell D6/692.4
D914,421 S * 3/2021 Osler D6/349

(21) Appl. No.: **29/774,303**
(22) Filed: **Mar. 16, 2021**

(30) **Foreign Application Priority Data**

Sep. 16, 2020 (CN) 202030550726.9

(51) **LOC (13) Cl.** **06-03**
(52) **U.S. Cl.**

USPC **D6/692.4**

(58) **Field of Classification Search**

USPC D6/334, 335, 336, 337, 338, 339, 340,
D6/349, 350, 352, 353, 354, 356, 357,
D6/360, 379, 685, 686, 691, 691.4, 692,
D6/692.2, 692.3, 692.4, 692.6
CPC A47B 7/00; A47B 2009/043; A47B
2013/006; A47B 13/003; A47B 13/12;
A47B 2200/0036

See application file for complete search history.

(56) **References Cited**

U.S. PATENT DOCUMENTS

2,193,527 A * 3/1940 Bentz A47C 5/046
248/440.1
D168,333 S * 12/1952 coble D6/708.16
D172,551 S * 7/1954 peirce D6/692.4
D234,101 S * 1/1975 salmon D6/349
D234,277 S * 2/1975 salmon D6/349
D235,823 S * 7/1975 hedge D6/696.3

OTHER PUBLICATIONS

U side table, posted at competition.adesignaward.com, posted in 2021, site visited Jun. 14, 2022. online, available from internet: <https://competition.adesignaward.com/gooddesign.php?ID=113539> (Year: 2021).*

* cited by examiner

Primary Examiner — Catherine Ho

(74) *Attorney, Agent, or Firm* — Rumit Ranjit Kanakia

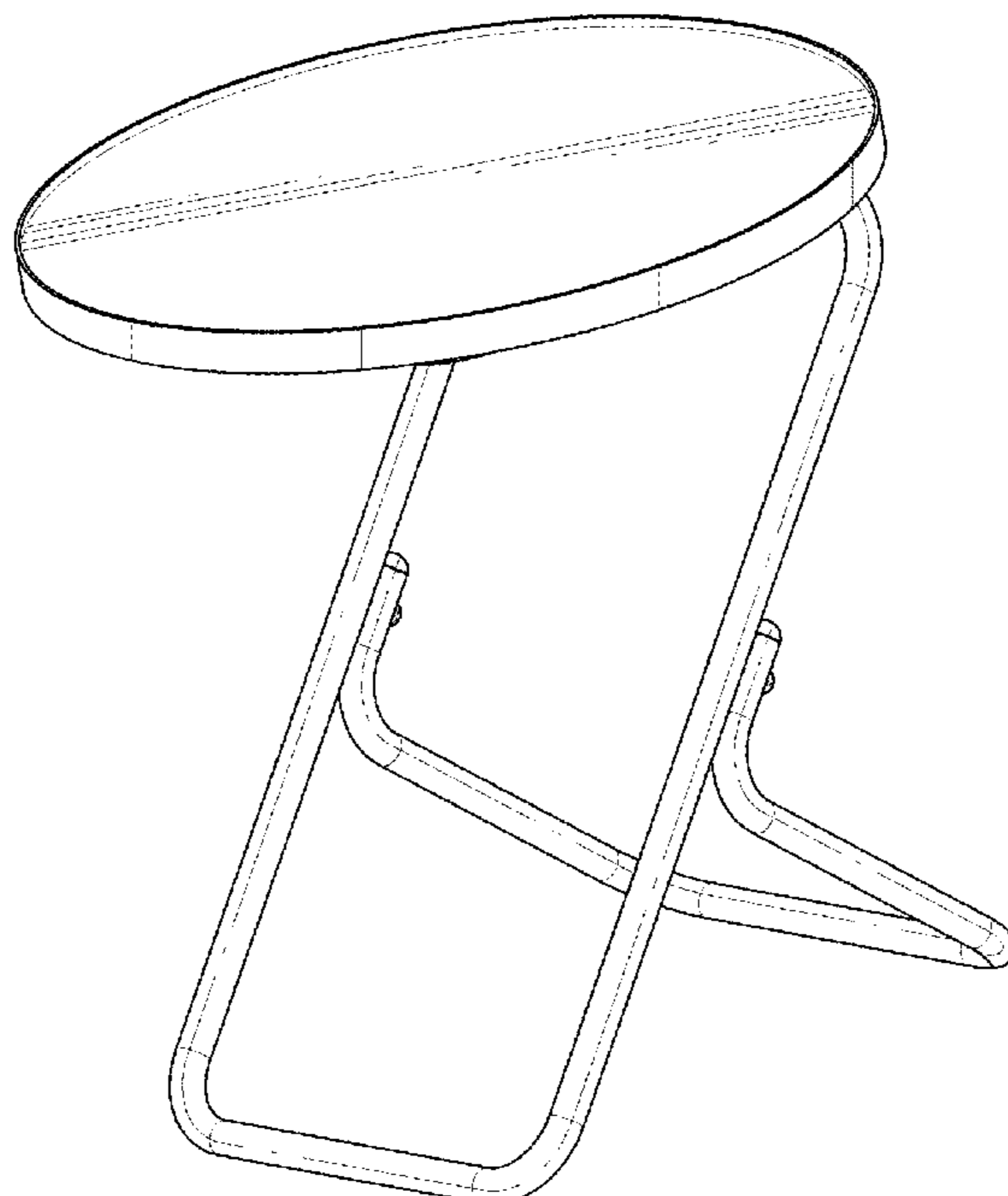
(57) **CLAIM**

I claim the ornamental design for a side table, as shown and described.

DESCRIPTION

FIG. 1 is a front perspective view of a side table showing my new design;
FIG. 2 is a bottom perspective view thereof;
FIG. 3 is a front view thereof;
FIG. 4 is a back view thereof;
FIG. 5 is a right-side view thereof;
FIG. 6 is a left-side view thereof;
FIG. 7 is a top view thereof; and,
FIG. 8 is a bottom view thereof.

1 Claim, 8 Drawing Sheets



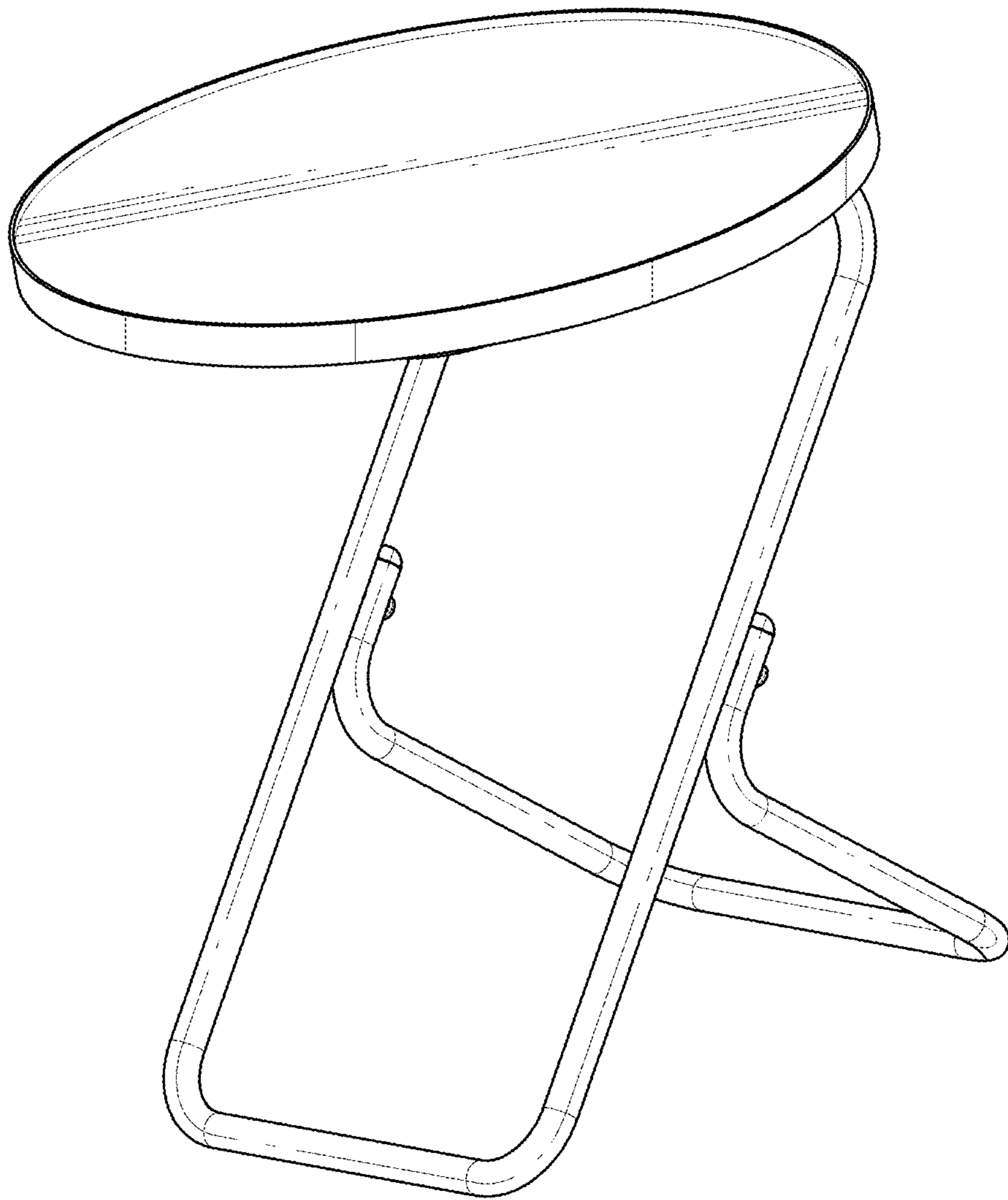


FIG. 1

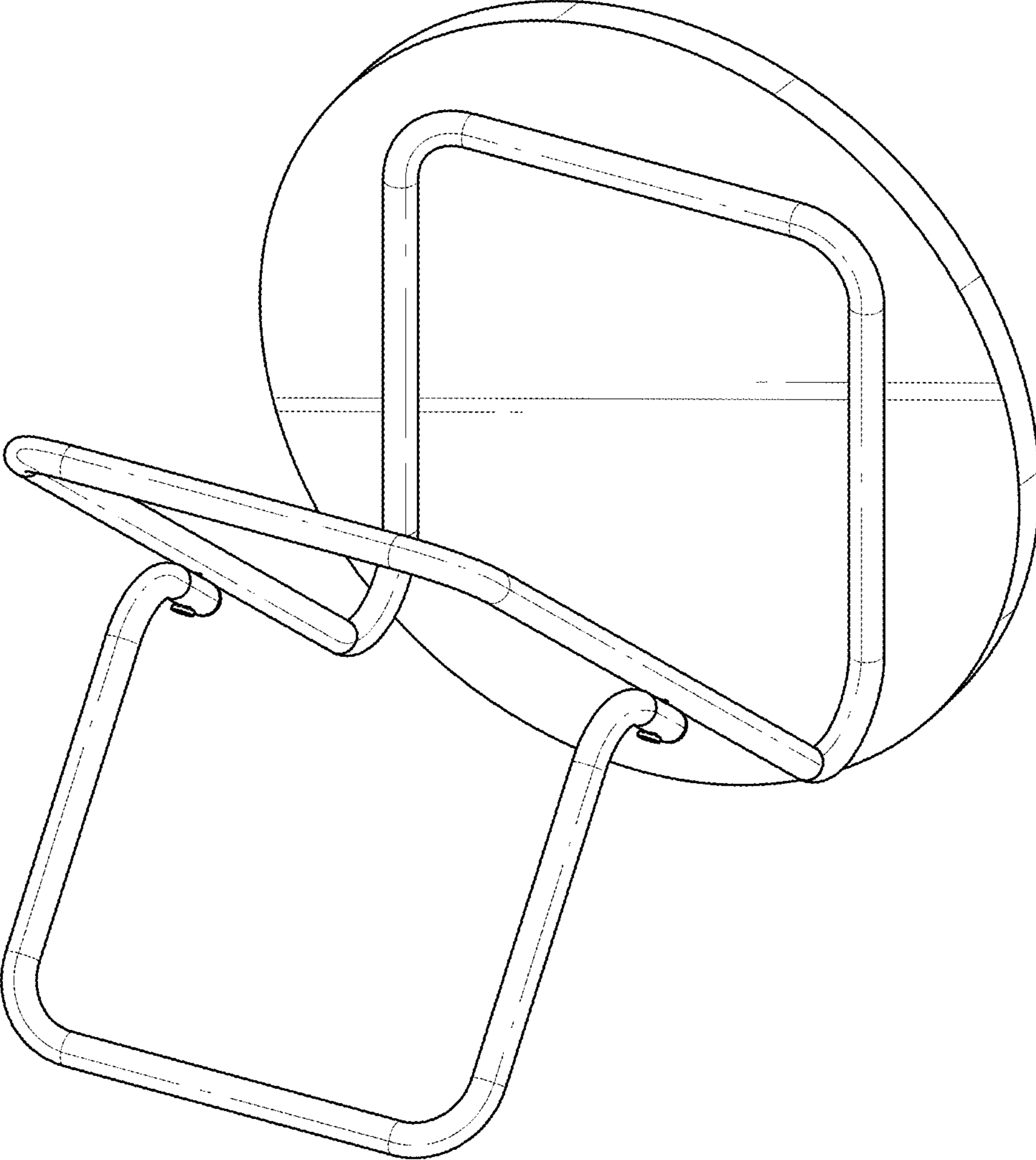


FIG. 2

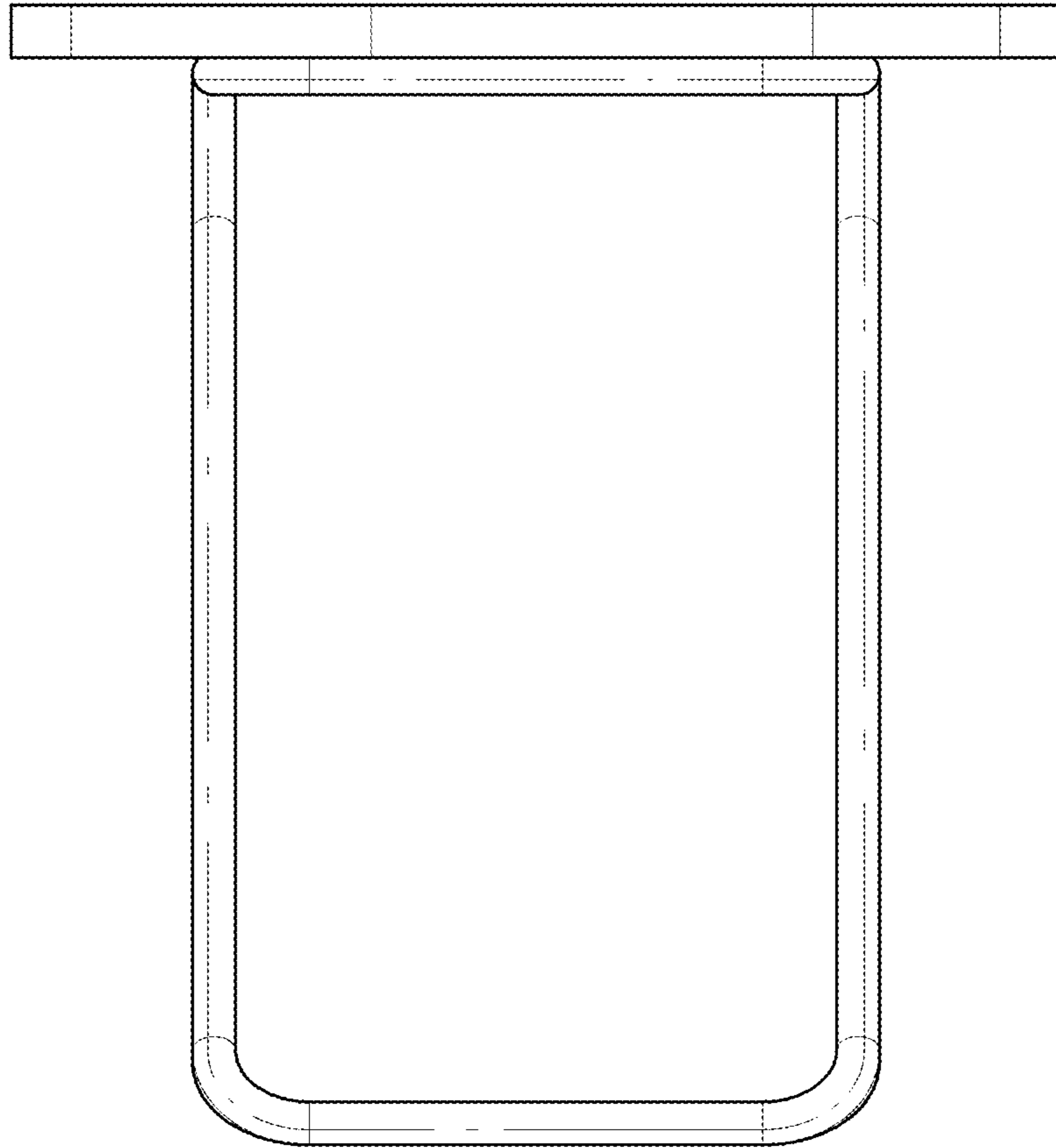


FIG. 3

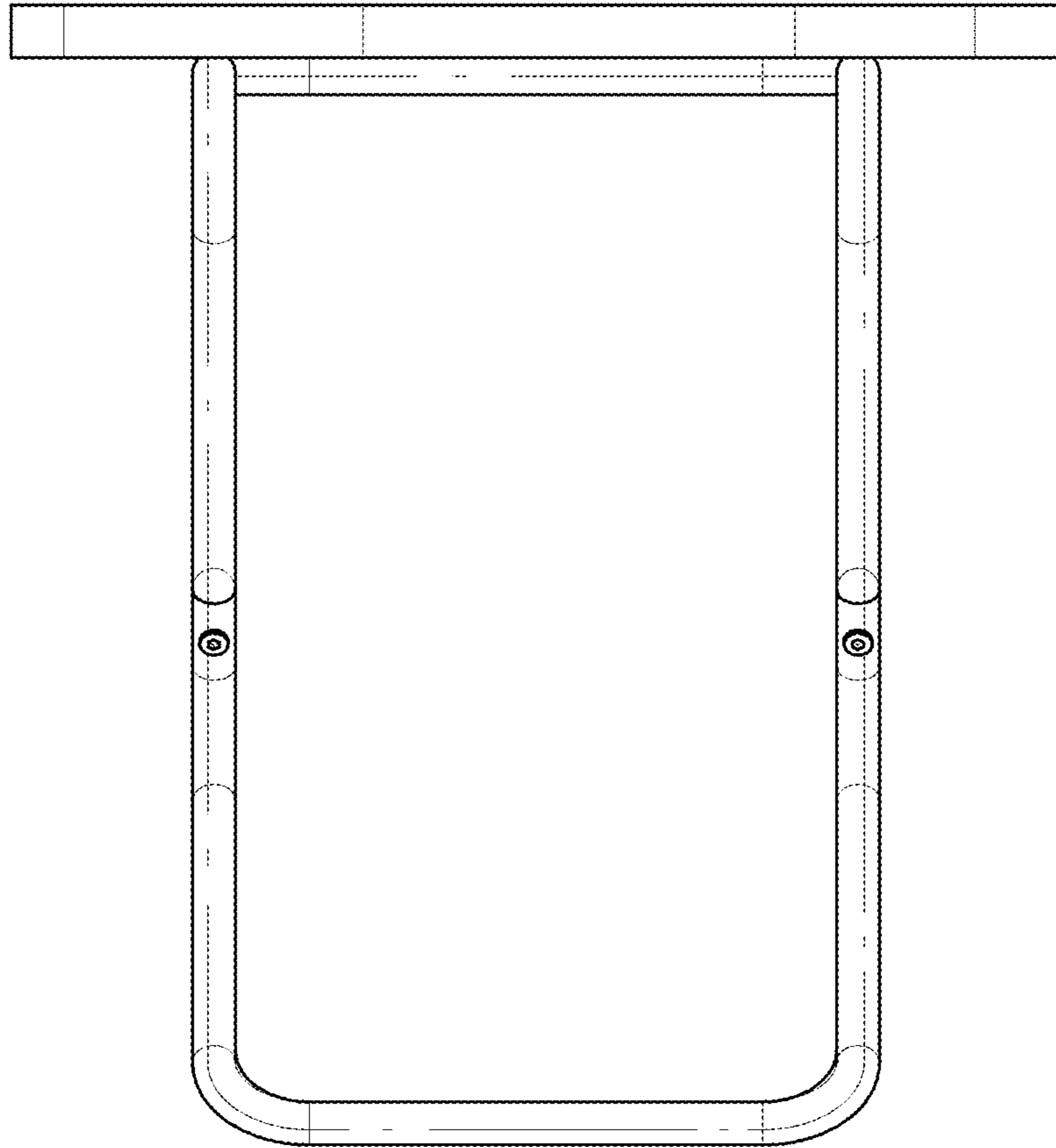


FIG. 4

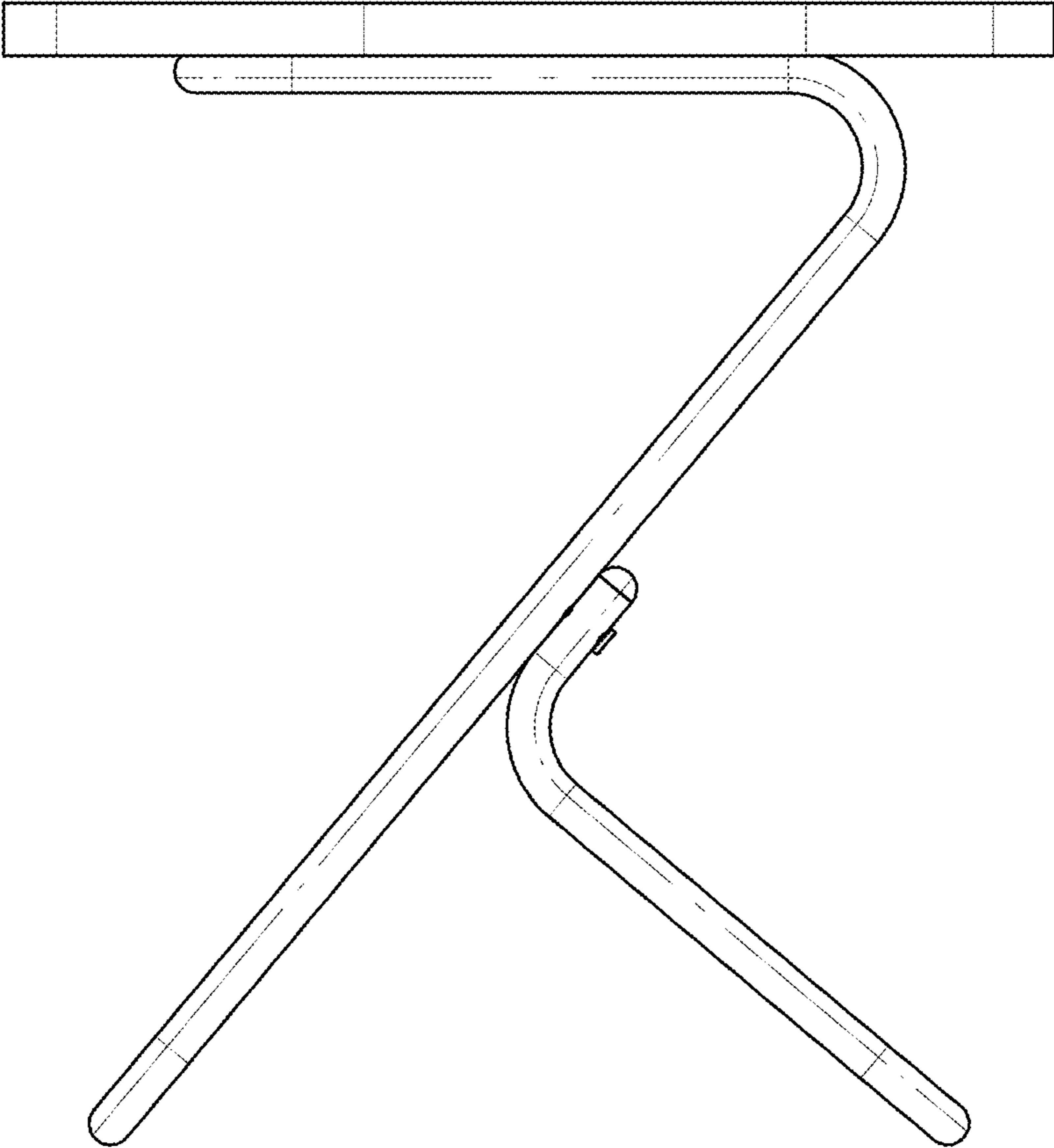


FIG. 5

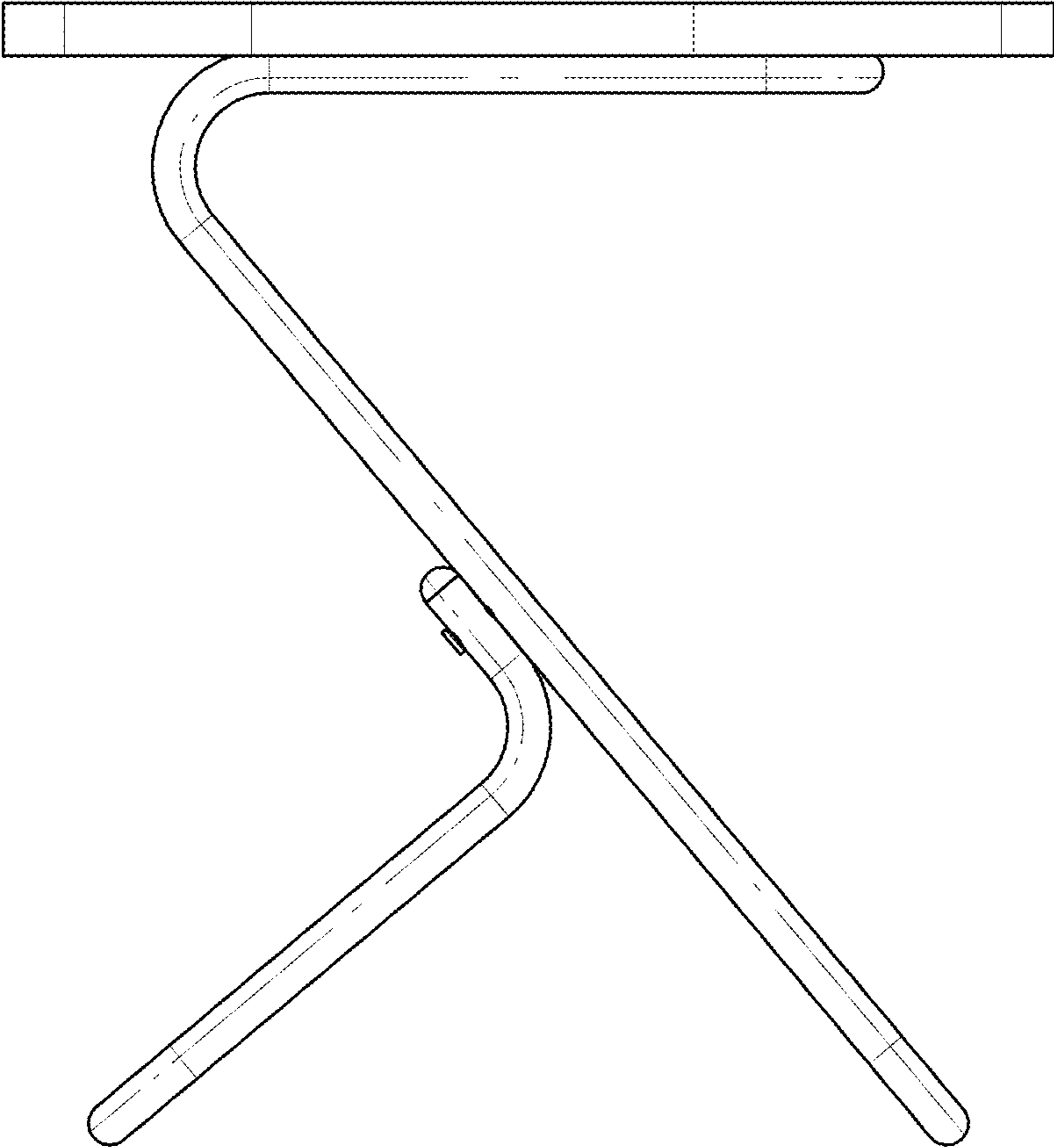


FIG. 6

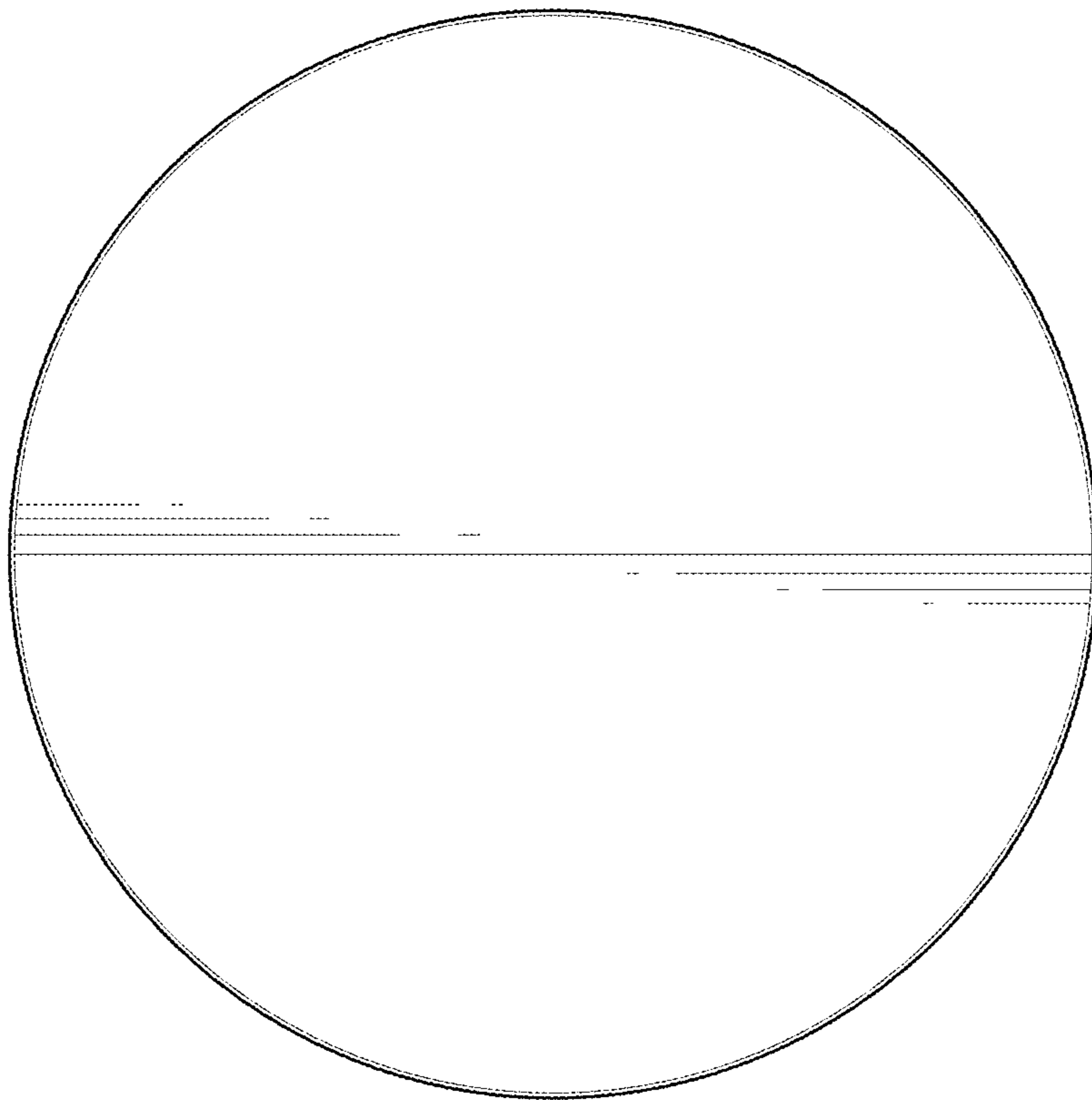


FIG. 7

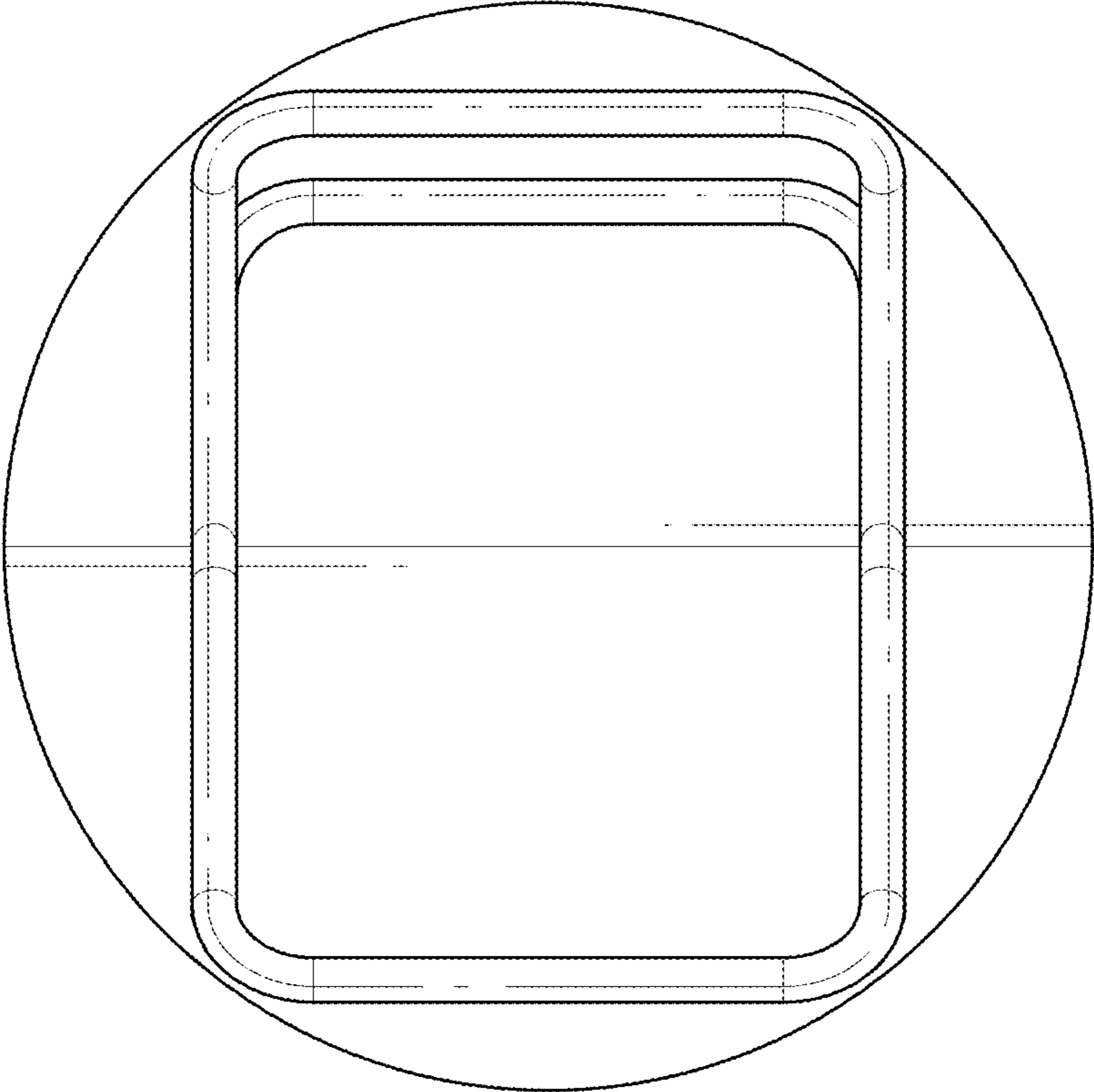


FIG. 8