



US00D964075S

(12) **United States Design Patent** (10) **Patent No.:** **US D964,075 S**  
**Zhou** (45) **Date of Patent:** **\*\* Sep. 20, 2022**

(54) **UNDER SINK ORGANIZER WITH SLIDING STORAGE BASKET**

D944,042 S \* 2/2022 Chen ..... D6/675.2  
D956,457 S \* 7/2022 Klein ..... D6/675.5  
D956,480 S \* 7/2022 Klein ..... D7/600.4

(71) Applicant: **Fengyu Zhou, Yueyang (CN)**

(72) Inventor: **Fengyu Zhou, Yueyang (CN)**

(\*\*) Term: **15 Years**

(21) Appl. No.: **29/812,161**

(22) Filed: **Oct. 20, 2021**

(51) **LOC (13) Cl.** ..... **06-04**

(52) **U.S. Cl.**  
USPC ..... **D6/675.1**

(58) **Field of Classification Search**  
USPC ..... D6/672, 675, 675.1, 675.2, 683, 512,  
D6/513, 514, 524, 525, 527, 567, 570,  
D6/573, 574; D7/600.1, 600.4; D3/304;  
D19/65, 75, 86; 312/270.3, 330.1, 294;  
221/126.2, 126.9, 188, 151  
CPC ..... A47B 88/00; A47B 88/41; A47B 88/407;  
A47F 5/0081; A47F 5/0093

See application file for complete search history.

(56) **References Cited**

**U.S. PATENT DOCUMENTS**

2,888,147 A \* 5/1959 Goldberg ..... A47B 87/0223  
D6/570  
D362,138 S \* 9/1995 Sagol ..... D6/675.1  
D450,481 S \* 11/2001 Post ..... D6/675.2  
D547,982 S 8/2007 Yang et al.  
D579,246 S 10/2008 Snider  
D683,567 S \* 6/2013 Hsu ..... D6/675.2  
D696,049 S \* 12/2013 Hsu ..... D6/675.2  
D761,043 S \* 7/2016 Snider ..... D6/675.2  
D785,979 S \* 5/2017 Snider ..... D6/675.1  
D914,408 S \* 3/2021 Li ..... D34/21  
D923,369 S \* 6/2021 Su ..... D6/675.2  
D937,528 S \* 11/2021 Zhou ..... D34/21

**OTHER PUBLICATIONS**

2-Tier Under Sink Organizer. Appolab (online) 9 pgs. Available Nov. 2, 2021. [Retrieved Jul. 27, 2022] <https://www.amazon.com/Appolab-Organizer-Sliding-Organizers-Bathroom/dp/B09KTLJG7Q> (Year: 2021).\*

2-Tier Sliding Cabinet Basket Organizer Drawer. Puiluo (online) 13 pgs. Available Nov. 11, 2021. [Retrieved Jul. 27, 2022] <https://www.amazon.com/Sliding-Organizer-Multi-Purpose-Organizers-Bathroom/dp/B09LM7LHDS> (Year: 2021).\*

\* cited by examiner

*Primary Examiner* — Marie D. Fast Horse  
*Assistant Examiner* — Jennifer Sierra Yosinski

(57) **CLAIM**

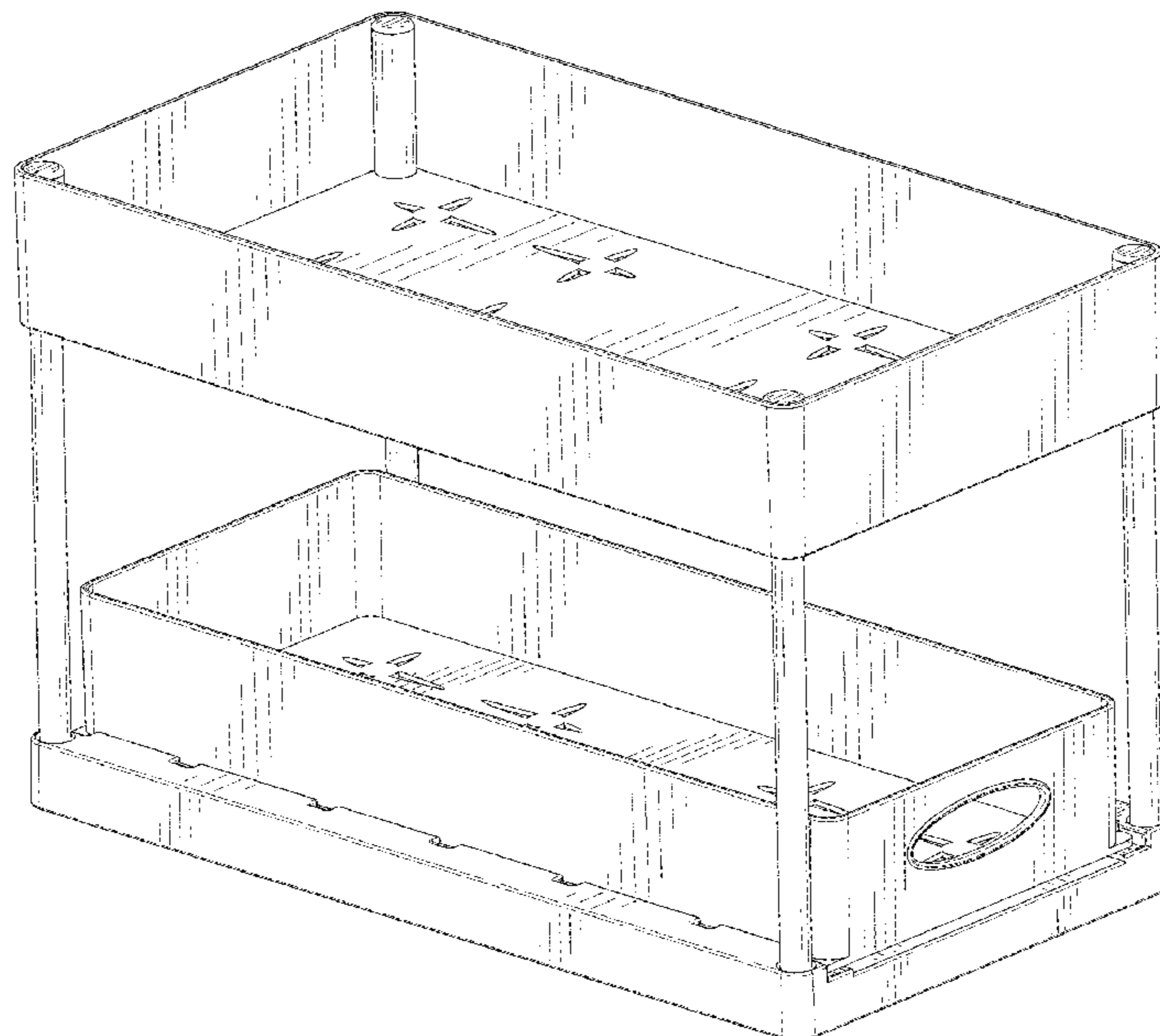
The ornamental design for an under sink organizer with sliding storage basket, as shown and described.

**DESCRIPTION**

FIG. 1 is a perspective view of an under sink organizer with sliding storage basket showing my new design; FIG. 2 is another perspective view thereof; FIG. 3 is a front elevational view thereof; FIG. 4 is a rear elevational view thereof; FIG. 5 is a left side elevational view thereof; FIG. 6 is a right side elevational view thereof; FIG. 7 is a top plan view thereof; FIG. 8 is a bottom plan view thereof; and, FIG. 9 is an exploded perspective view of the under sink organizer with sliding storage basket.

The broken lines in the drawings depict portions of the under sink organizer with sliding storage basket that form no part of the claimed design.

**1 Claim, 9 Drawing Sheets**



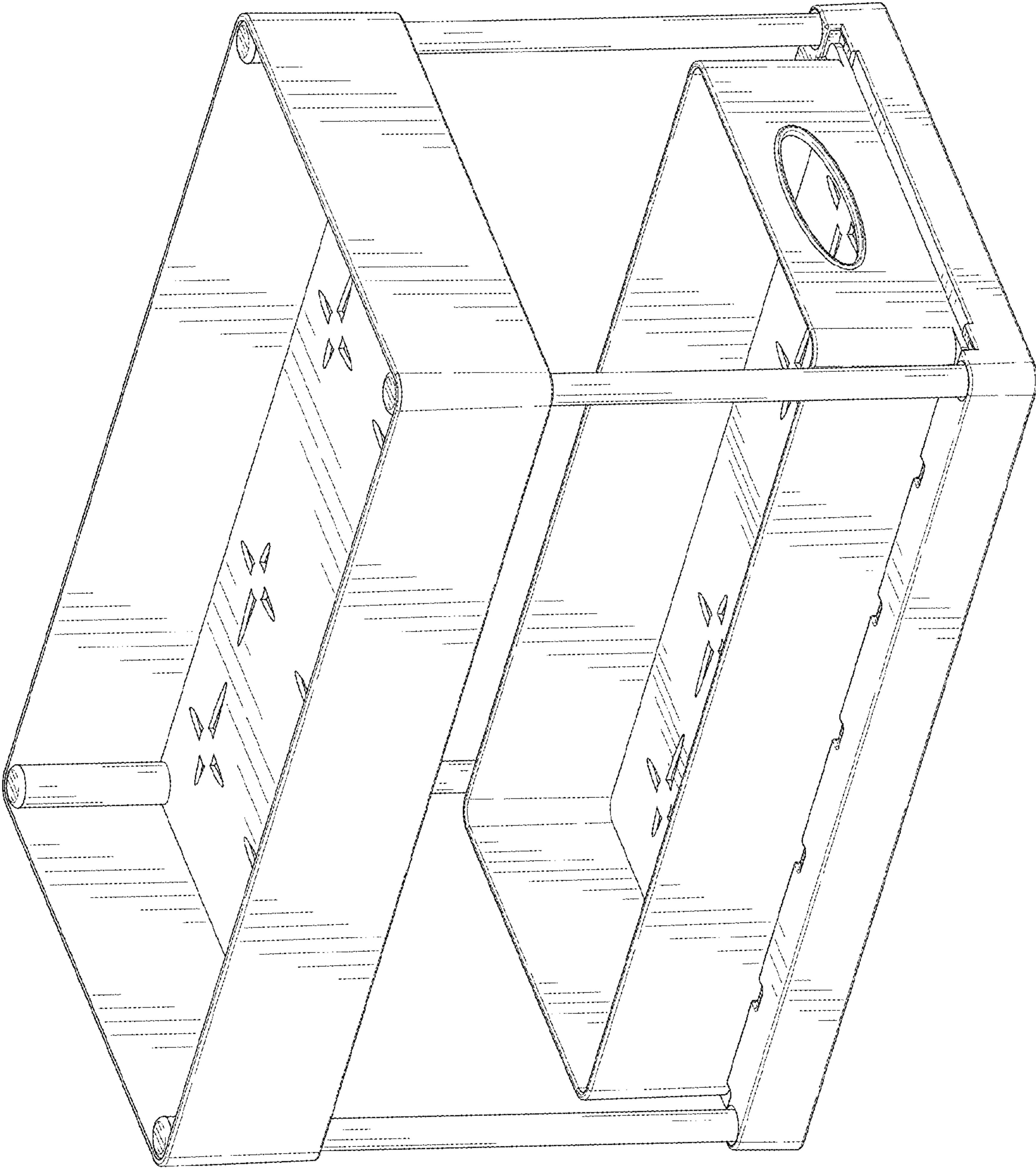


FIG. 1

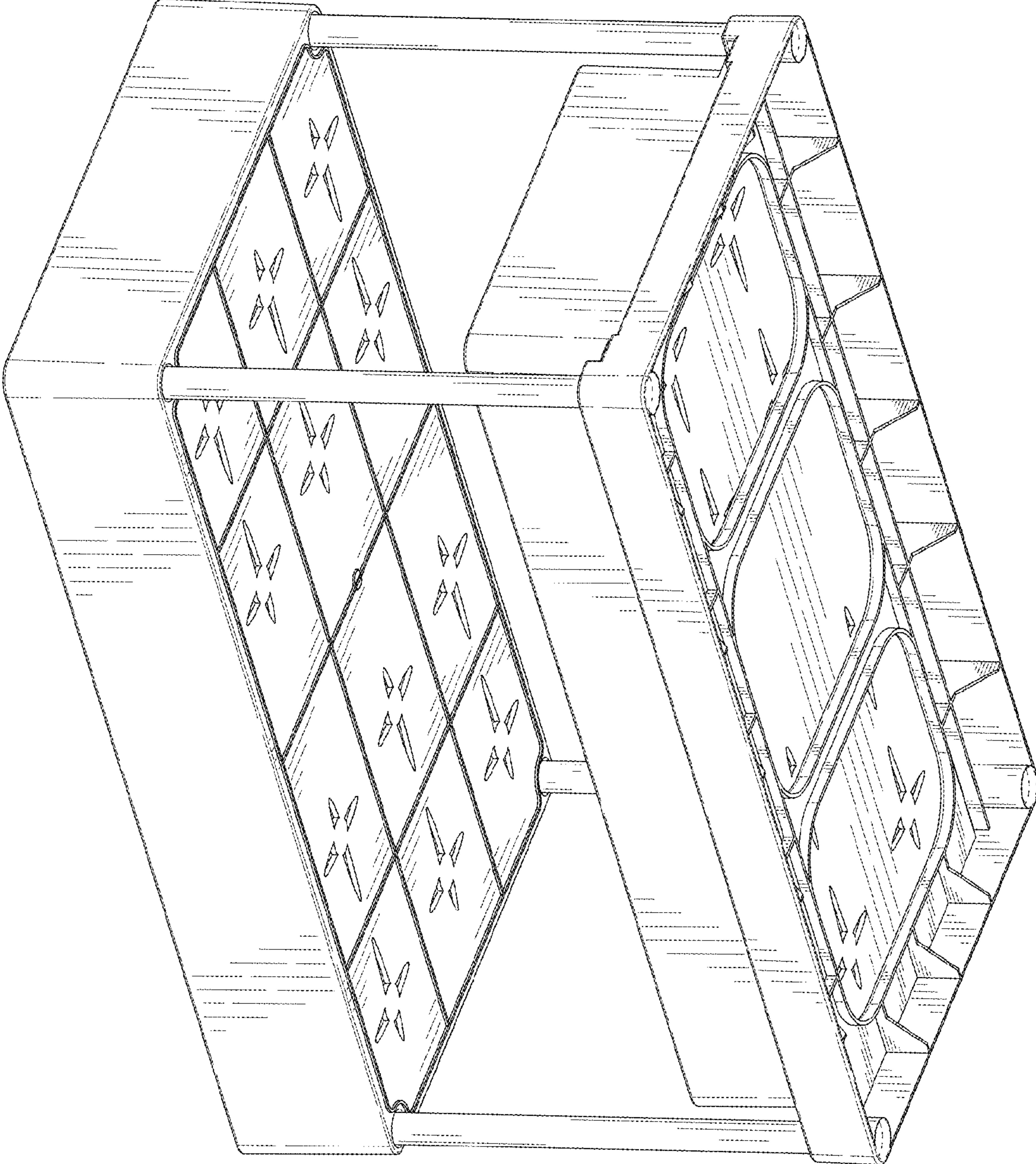


FIG. 2

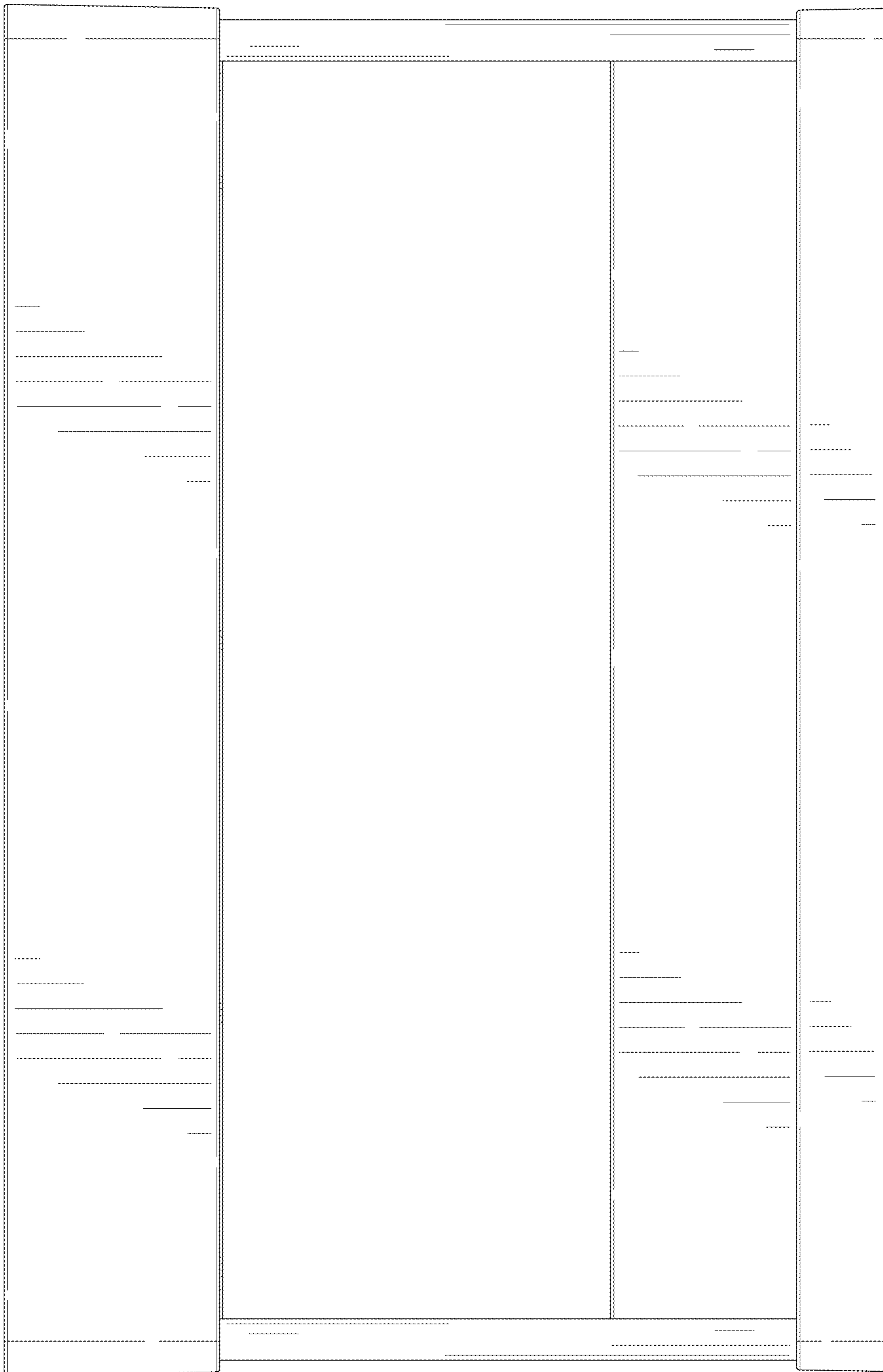


FIG. 3

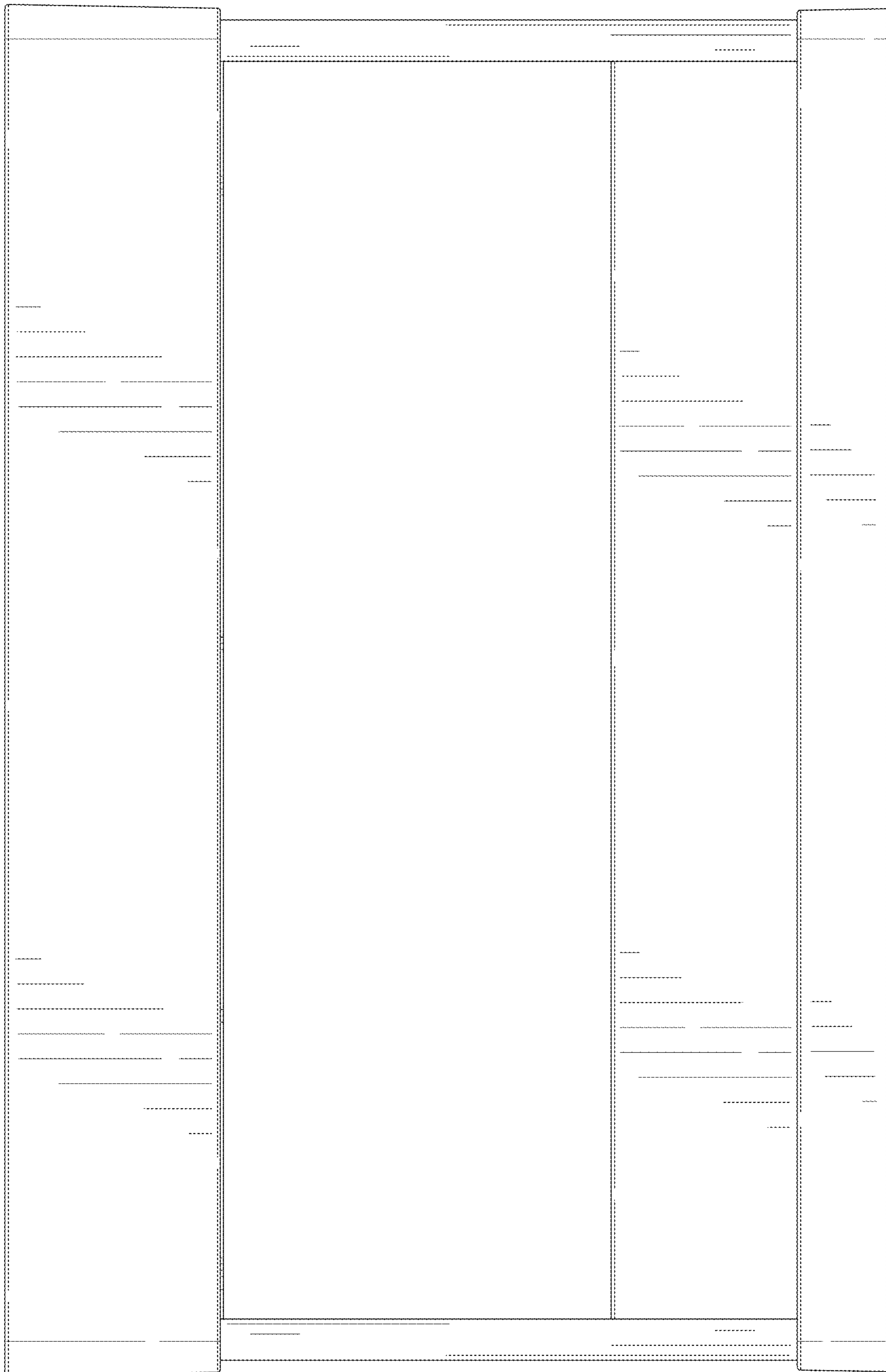


FIG. 4

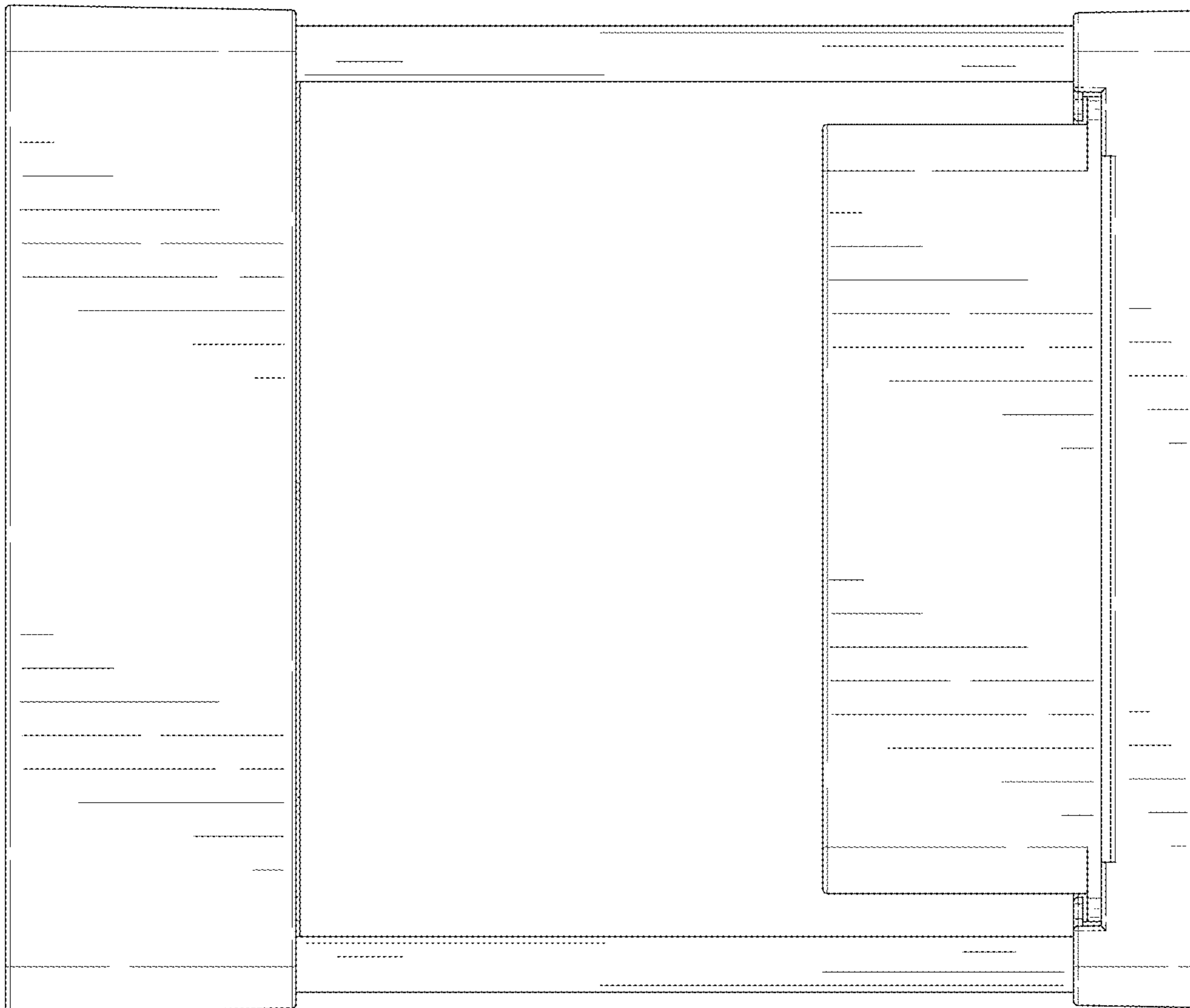


FIG. 5

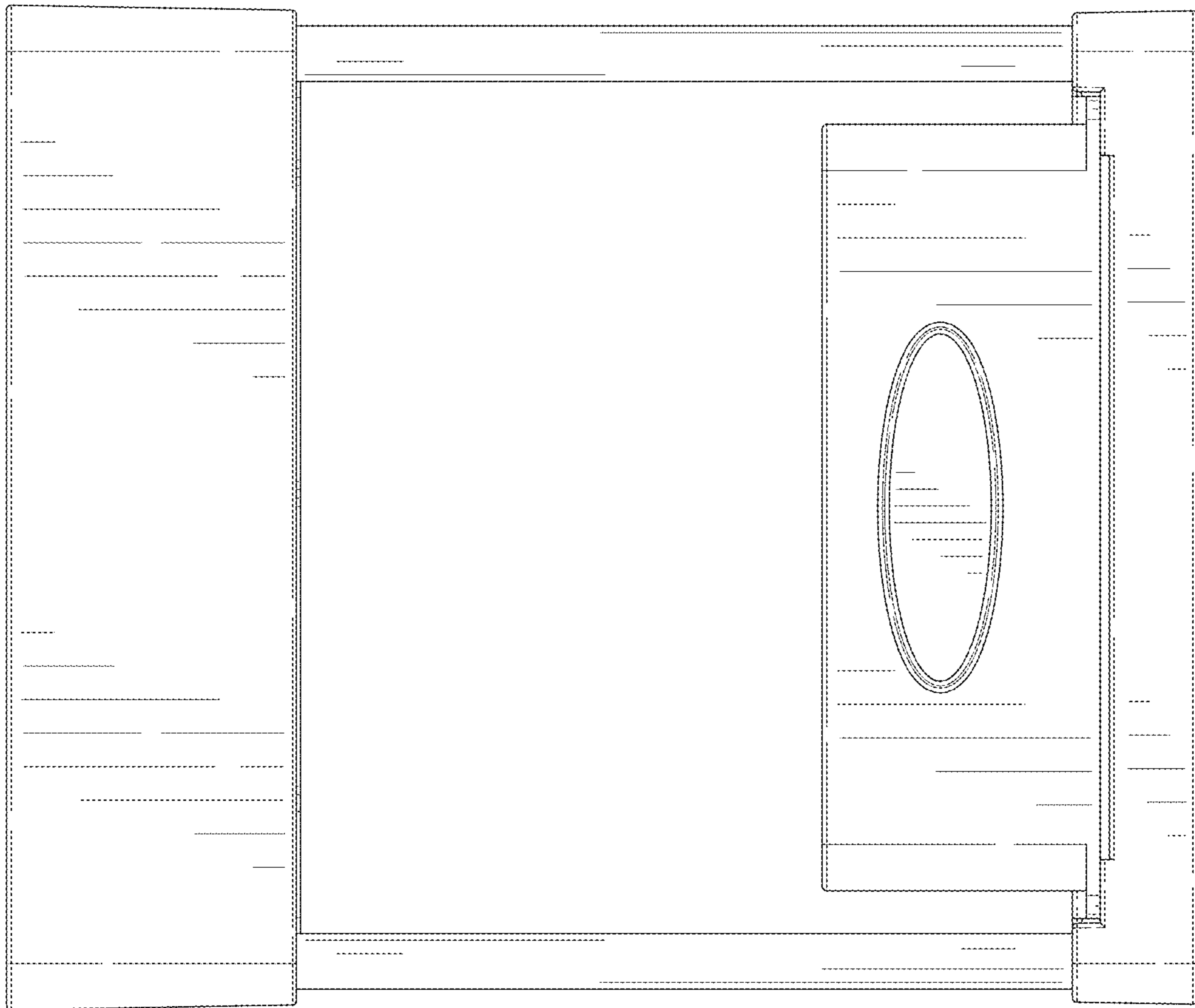


FIG. 6

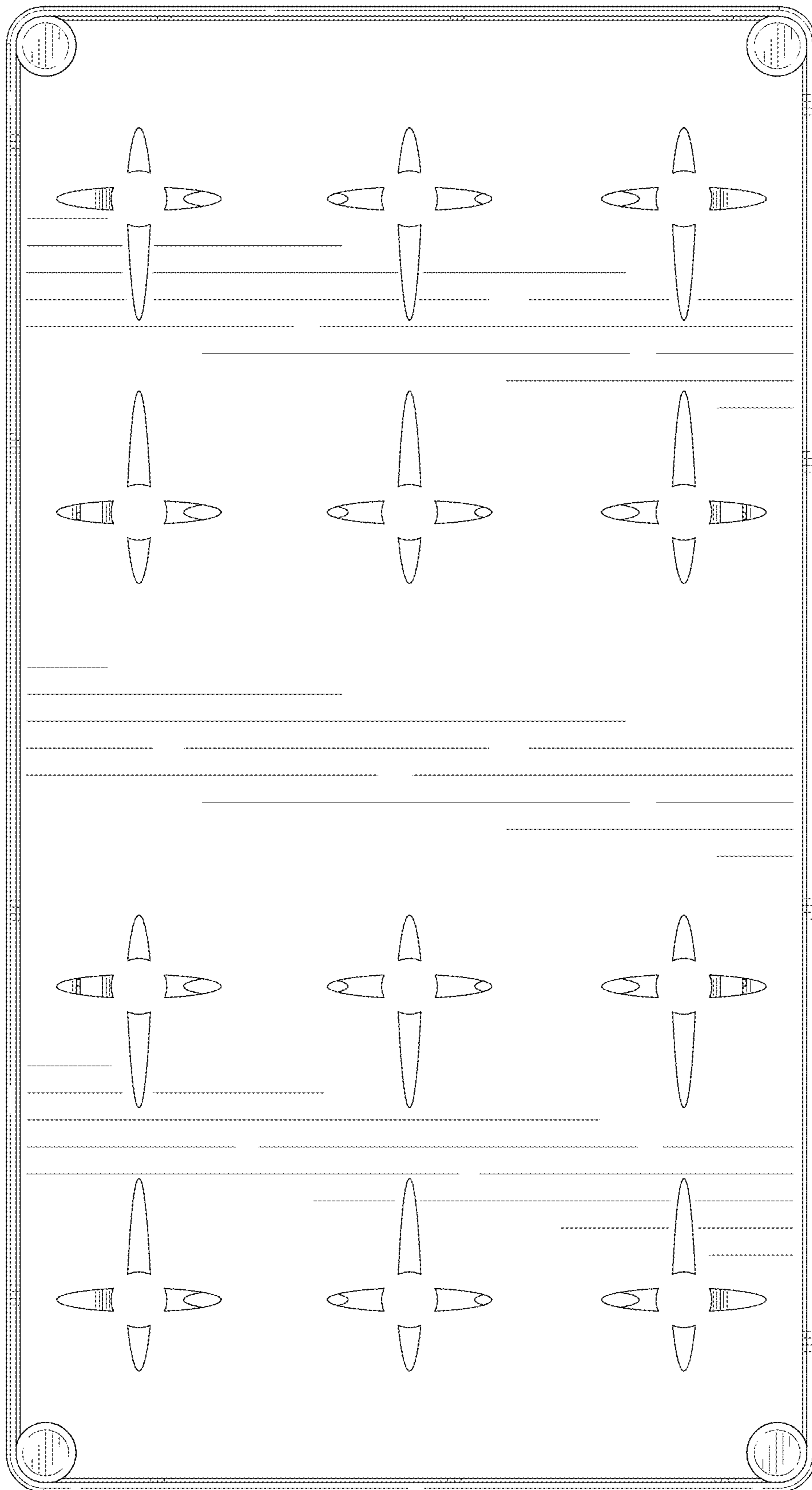


FIG. 7



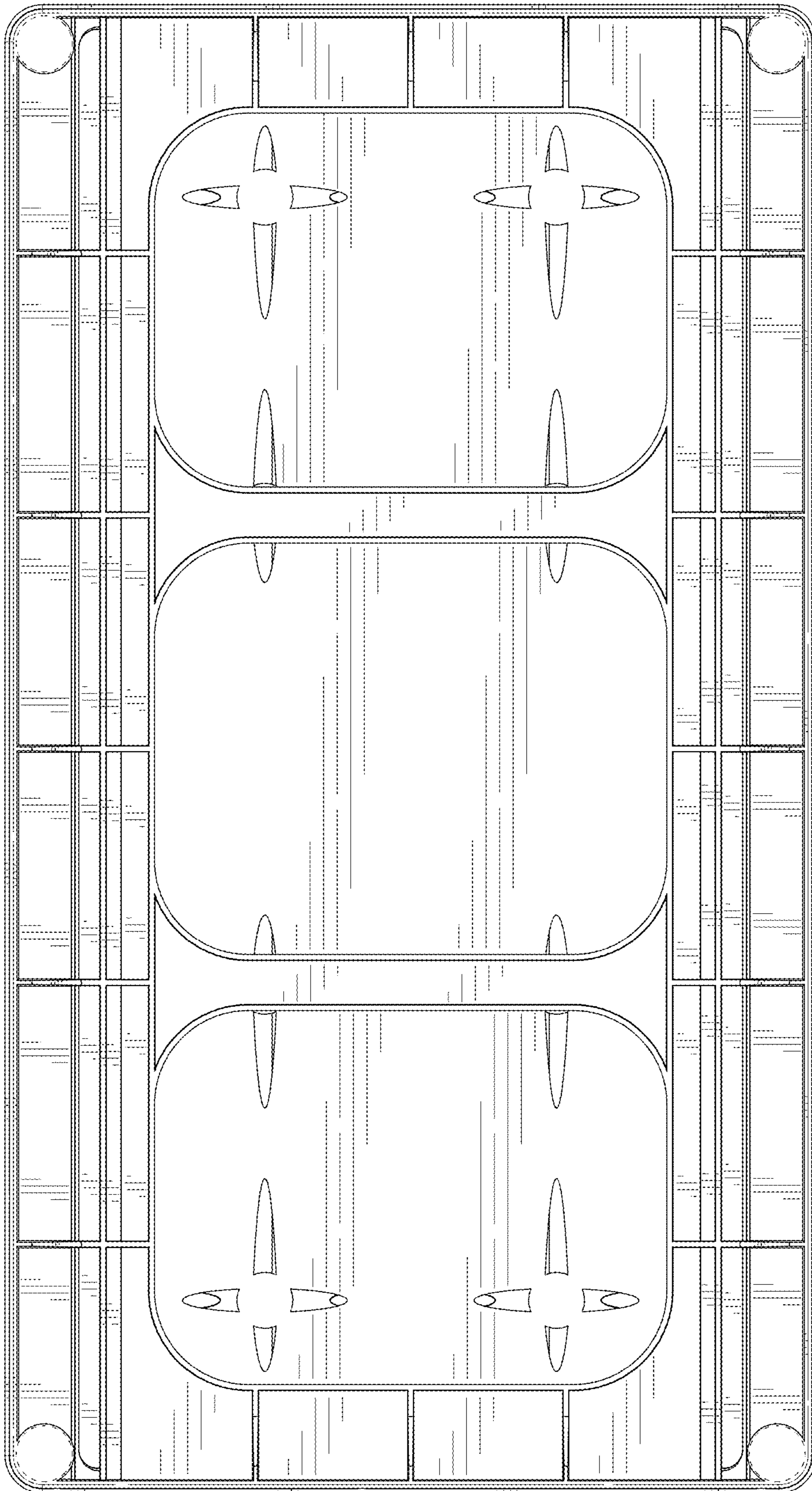


FIG. 8

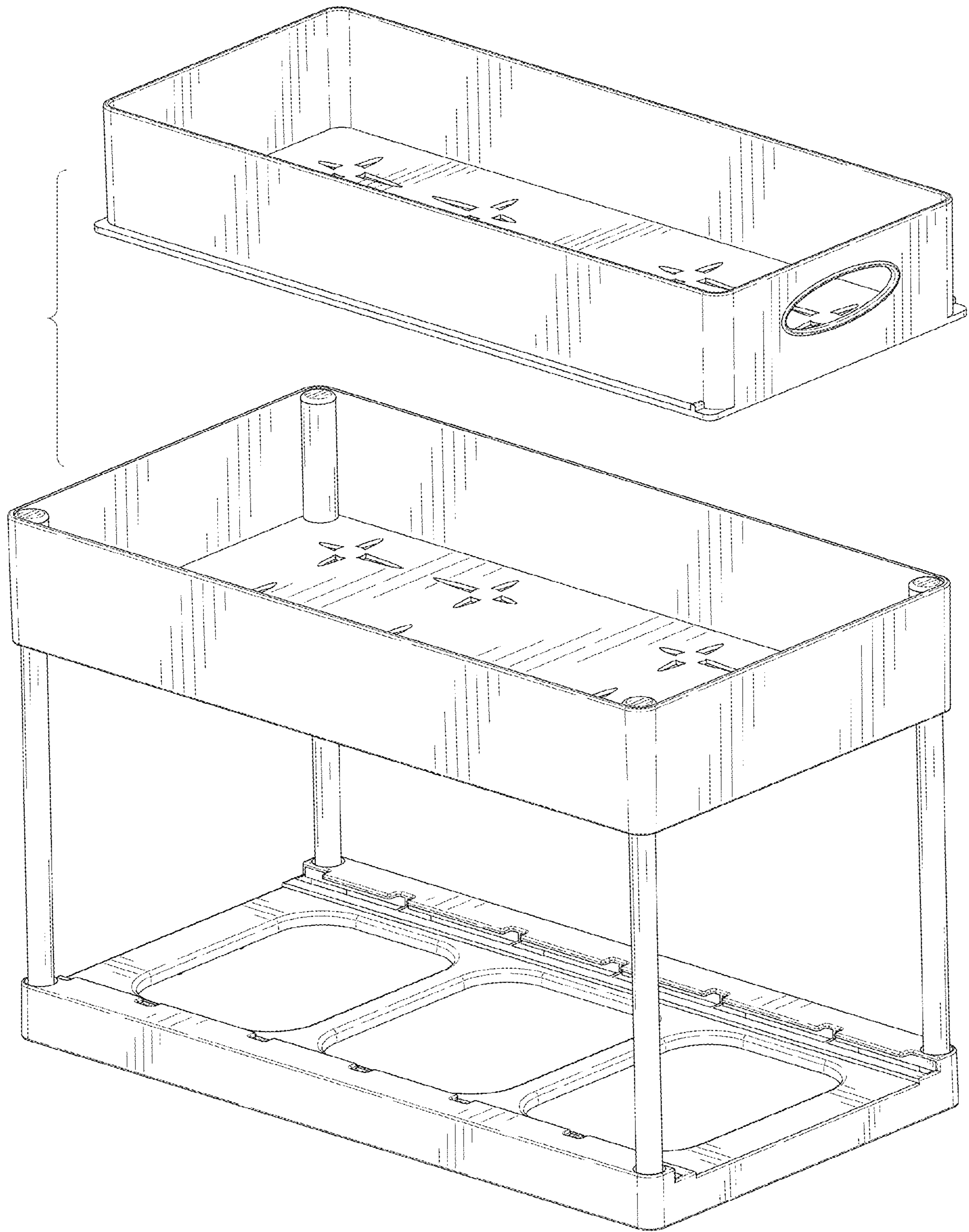


FIG. 9