

US00D964073S

(12) **United States Design Patent** (10) **Patent No.:** **US D964,073 S**
Bosstick (45) **Date of Patent:** **** Sep. 20, 2022**

(54) **INFLATABLE AIRCRAFT BED AND CARRYING CASE ASSEMBLY**

(71) Applicant: **JetBed, Inc.**, San Diego, CA (US)

(72) Inventor: **Gerald Bosstick**, Rancho Santa Fe, CA (US)

(73) Assignee: **JetBed, Inc.**, San Diego, CA (US)

(**) Term: **15 Years**

(21) Appl. No.: **29/716,572**

(22) Filed: **Dec. 10, 2019**

(51) **LOC (13) Cl.** **06-09**

(52) **U.S. Cl.**
 USPC **D6/604**

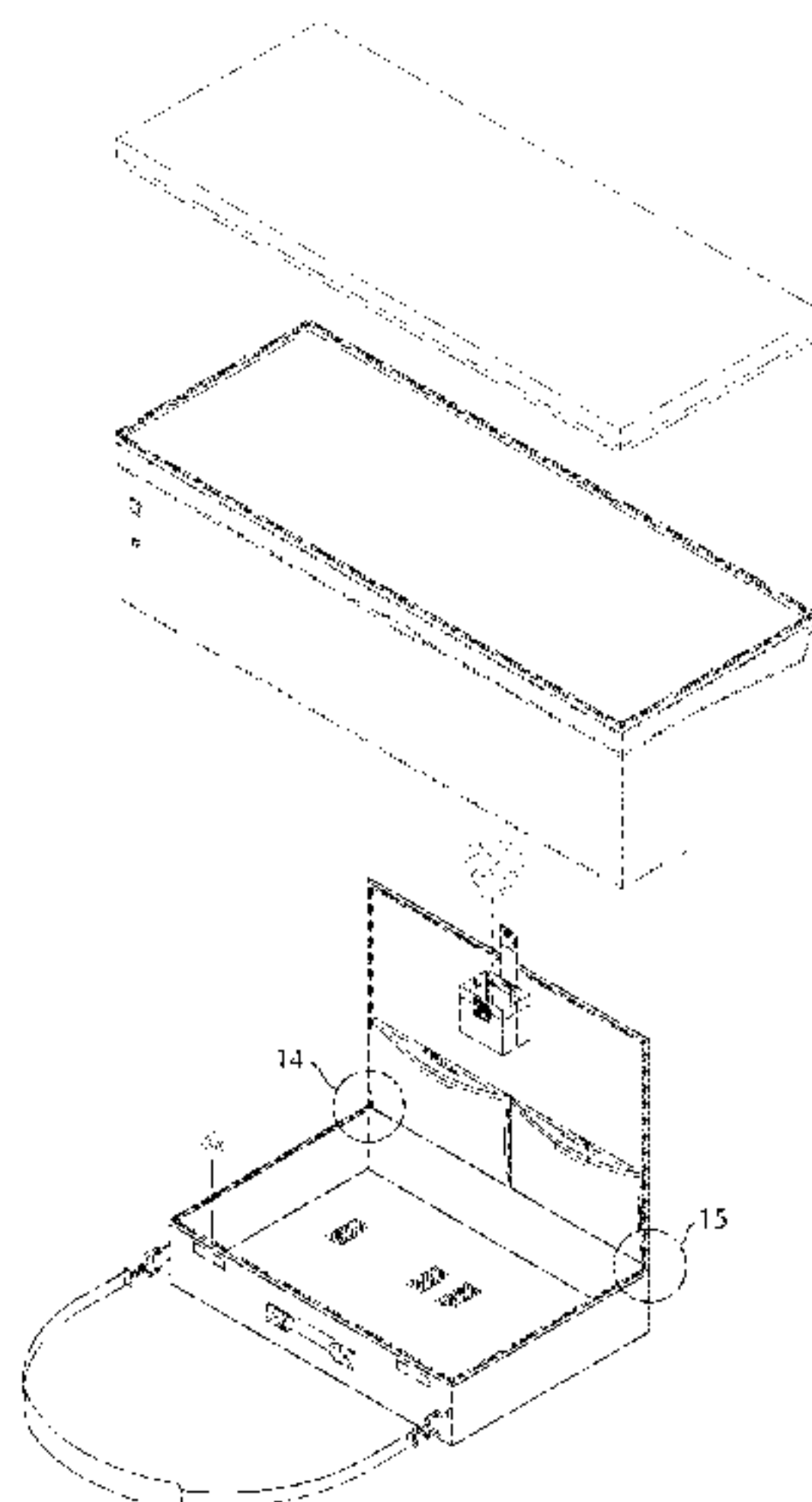
(58) **Field of Classification Search**
 USPC D6/361, 596, 603-605, 610, 611, 616,
 D6/695.1, 695.3; D7/376, 391; D5/61;
 D21/803, 809; D24/103
 CPC A45C 13/36; A45C 3/03; A45C 3/001;
 B60R 7/043; B60N 2/60; A47C 31/00;
 A47C 27/081; B64D 2011/00; B64D
 11/00; B64D 2011/0069
 See application file for complete search history.

(56) **References Cited**

U.S. PATENT DOCUMENTS

69,118 A	9/1867	Orvis	
535,365 A	3/1895	Fadner	
954,999 A	4/1910	Roell	
988,513 A	4/1911	Shea et al.	
995,234 A	6/1911	Emerson	
1,864,648 A *	6/1932	Haines	A45C 9/00 441/125
1,983,119 A	12/1934	Boyd	
2,023,173 A	12/1935	Hiener	
2,163,198 A	6/1939	Gossard	
2,177,174 A	10/1939	Eccles	
2,348,407 A	5/1944	O'Neill	
2,372,218 A	3/1945	Manson	
2,504,645 A	4/1950	Burnett	
2,648,072 A	8/1953	De Blieux	

2,676,337 A	4/1954	Soeder	
2,796,111 A	6/1957	Janczyszyn	
3,058,769 A	10/1962	Willson	
3,097,876 A	7/1963	Willson	
3,143,746 A	8/1964	Spear	
3,193,324 A	7/1965	Stock	
3,265,438 A	8/1966	Regan	
3,420,574 A	1/1969	Smith	
3,513,489 A	5/1970	Miller	
3,570,024 A	3/1971	Griffin	
3,600,725 A	8/1971	McCartney	
3,648,306 A	3/1972	Auerbach	
3,696,449 A	10/1972	Smith	
D228,050 S	8/1973	Weiland	
3,833,947 A	9/1974	Sorenson	
3,910,630 A	10/1975	Runyon	
3,978,530 A	9/1976	Amarantos	
4,003,098 A	1/1977	Fink	
4,040,655 A	8/1977	Garrick	
4,085,962 A	4/1978	Wahls	
4,131,313 A	12/1978	Jacobs	
4,190,918 A *	3/1980	Harvell	A47C 7/021 5/653
D258,482 S *	3/1981	Strock	5/653
4,262,045 A	4/1981	Cheng	
4,299,233 A	11/1981	Lemelson	
4,346,132 A	8/1982	Cheng	
D276,954 S *	1/1985	Kruger	5/653
4,604,987 A *	8/1986	Keltner	A47C 7/021 126/204
4,745,648 A	5/1988	Viesturs	
4,822,309 A *	4/1989	Vandenberg	A45C 9/00 297/188.01
4,843,662 A *	7/1989	Handelman	A47C 7/021 5/653
4,935,978 A *	6/1990	Luchonok	A47C 27/081 5/665
4,943,105 A	7/1990	Kacar	
D312,741 S *	12/1990	Treadwell	D6/601
D314,804 S	2/1991	Thomas	
D315,187 S	3/1991	Thomas	
D316,352 S *	4/1991	Anson	B64D 11/0638 D6/596
5,005,702 A	4/1991	Davis	
D329,957 S *	10/1992	Hartnett	A47C 19/045 5/653
5,181,286 A	1/1993	McNulty	
5,185,896 A	2/1993	Bonda	
D342,638 S *	12/1993	Harland	5/653
5,333,336 A	8/1994	Langsam	
5,345,630 A *	9/1994	Healy	A47C 20/048 137/270



US D964,073 S

Page 2

D366,800	S *	2/1996	Moore, Jr.	A45C 9/00 D6/596
5,544,373	A	8/1996	Chang	
5,639,141	A	6/1997	Hanemaayer	
5,720,057	A *	2/1998	Duncan	A47C 27/001 5/420
5,816,645	A	10/1998	Grimes	
D405,291	S	2/1999	Yu	
5,960,497	A	10/1999	Castellino	
5,966,755	A	10/1999	Pittman	
6,006,383	A	12/1999	Pile	
D419,495	S	1/2000	Muhanna	
6,015,186	A	1/2000	Grieger	
D420,238	S	2/2000	Jefferson	
6,170,786	B1	1/2001	Park	
D444,550	S	7/2001	Cobbs	
6,428,083	B2	8/2002	Dettoni	
D463,702	S	10/2002	Ku	
6,591,437	B1	7/2003	Phillips	
6,604,252	B1	8/2003	Lee	
6,612,606	B1	9/2003	Bergenheim	
D484,213	S	12/2003	Linder	
D486,344	S	2/2004	Ku	
D487,373	S	3/2004	Ku	
D501,112	S	1/2005	Kasatshko	
6,857,142	B2	2/2005	Fruge	
D502,350	S	3/2005	O'Reagan	
D507,445	S	7/2005	Song	
D509,698	S	9/2005	Torres	
7,097,204	B2	8/2006	Jessup	
7,246,393	B2	7/2007	Westendorf et al.	
7,264,275	B2	9/2007	Wang	
D560,947	S	2/2008	Kreucher	
D584,911	S	1/2009	Hisey	
7,845,718	B1	12/2010	Bosstick	
7,857,370	B2	12/2010	Heller	
D634,961	S	3/2011	Lowery	
8,065,761	B2	11/2011	Hanrahan	
8,474,079	B1	7/2013	Gangitano	
8,656,541	B2	2/2014	Muollo	
8,662,367	B2	3/2014	Panaro	
9,096,150	B2	8/2015	Cuddihy	
D755,539	S *	5/2016	Schueth	D6/596
9,738,185	B1	8/2017	Guygaew	
9,944,205	B2	4/2018	Lu	
D818,289	S	5/2018	Facco	
D818,652	S	5/2018	Song	
10,099,581	B2	10/2018	Hjerpe	
D834,351	S	11/2018	Bosstick	
D880,193	S *	4/2020	Clark	D6/601
D928,535	S *	8/2021	Acharya	A45C 9/00 D6/605
2003/0140416	A1	7/2003	Olenick	
2005/0044634	A1	3/2005	Wang	
2005/0087650	A1	4/2005	Quan	
2007/0057557	A1	3/2007	Moon	
2010/0122418	A1 *	5/2010	Adler	A47C 27/081 5/691
2010/0180382	A1	7/2010	Hunter	
2010/0229298	A1	9/2010	Davis	
2011/0047703	A1	3/2011	Tarsaud	
2012/0054964	A1	3/2012	Stroh	
2013/0276235	A1 *	10/2013	Kenalty	A61G 1/01 5/627
2016/0037887	A1 *	2/2016	McDonald	A45C 13/262 190/2
2016/0096598	A1	4/2016	Harkrider	
2016/0367422	A1	12/2016	Weedling	
2017/0035373	A1	2/2017	Davis	
2017/0053568	A1	2/2017	Aires	
2017/0197720	A1	7/2017	Kiraz	
2017/0217351	A1	8/2017	Jaradi	
2018/0125254	A1 *	5/2018	Wallish	A47C 19/045
2019/0047445	A1	2/2019	Kim	
2019/0217956	A1	7/2019	Diep	
2020/0017219	A1	1/2020	Bosstick	
2020/0164779	A1	5/2020	Bosstick	

2020/0214438	A1 *	7/2020	Vandewall	B64D 11/0638
2020/0337467	A1	10/2020	Cannon	
2021/0261256	A1 *	8/2021	Bosstick	B64D 11/00

FOREIGN PATENT DOCUMENTS

DE	2526473	A	12/1976
DE	3637648	A1	5/1987

OTHER PUBLICATIONS

Milliard mattress carrying case, Dec. 12, 2016, found on May 18, 2022 at https://www.amazon.com/Carry-Case-Milliard-Tri-Fold-Mattress/dp/B076M4PS4X/ref=sr_1_39?crid=1D1CWL089J8FV&keywords=jet%2Bbed%2Bincluding%2Bcarrying%2Bcase&qid=1652896144&sprefix=jet%2Bbed%2Bincluding%2B%2Caps%2C42&sr=8-39&th=1 (Year: 2016).*

* cited by examiner

Primary Examiner — Karen S Acker
(74) *Attorney, Agent, or Firm* — Plant & Planet Law Firm

(57) CLAIM

The ornamental design for an inflatable aircraft bed and carrying case assembly, as shown and described.

DESCRIPTION

FIG. 1 is a top perspective view of the unassembled aircraft bed part of the inflatable aircraft bed and carrying case assembly.

FIG. 2 is a top perspective exploded view of the air bladder part thereof.

FIG. 3 is a bottom perspective view thereof.

FIG. 4 is a top perspective view of the air bladder part of the inflatable aircraft bed and carrying case assembly.

FIG. 5 is a bottom perspective view thereof.

FIG. 6 is an enlarged detail view of the seat belt opening area 6 circumscribed within FIG. 4.

FIG. 7 is an enlarged detail view of area 7 circumscribed within FIG. 5.

FIG. 8 is a bottom perspective view of the mattress part of the inflatable aircraft bed and carrying case assembly.

FIG. 9 is a top perspective view thereof.

FIG. 10 is an enlarged detail view of the zipper start on area 10 circumscribed within FIG. 8.

FIG. 11 is the top perspective view of the assembled aircraft bed of the inflatable aircraft bed and carrying case assembly.

FIG. 12 is a top perspective view of the unassembled inflatable aircraft bed and carrying case assembly.

FIG. 13 is a top perspective view of the carrying case including the mattress part.

FIG. 14 is an enlarged detail view of the area 14 circumscribed within FIG. 12.

FIG. 15 is an enlarged detail view of the area 15 circumscribed within FIG. 12; and,

FIG. 16 is top and rear perspective view of the carrying case part of the inflatable aircraft bed and carrying case assembly. The evenly spaced broken lines immediately adjacent and parallel to the edges of the article depict the claimed welding seams of the article. All other evenly spaced broken lines depict features of the inflatable aircraft bed and carrying case assembly that form no part of the claimed design. The dash dot dash broken lines denote the boundaries of the

detail areas and the directional lines of assemblage and form
no part of the claimed design.

1 Claim, 13 Drawing Sheets

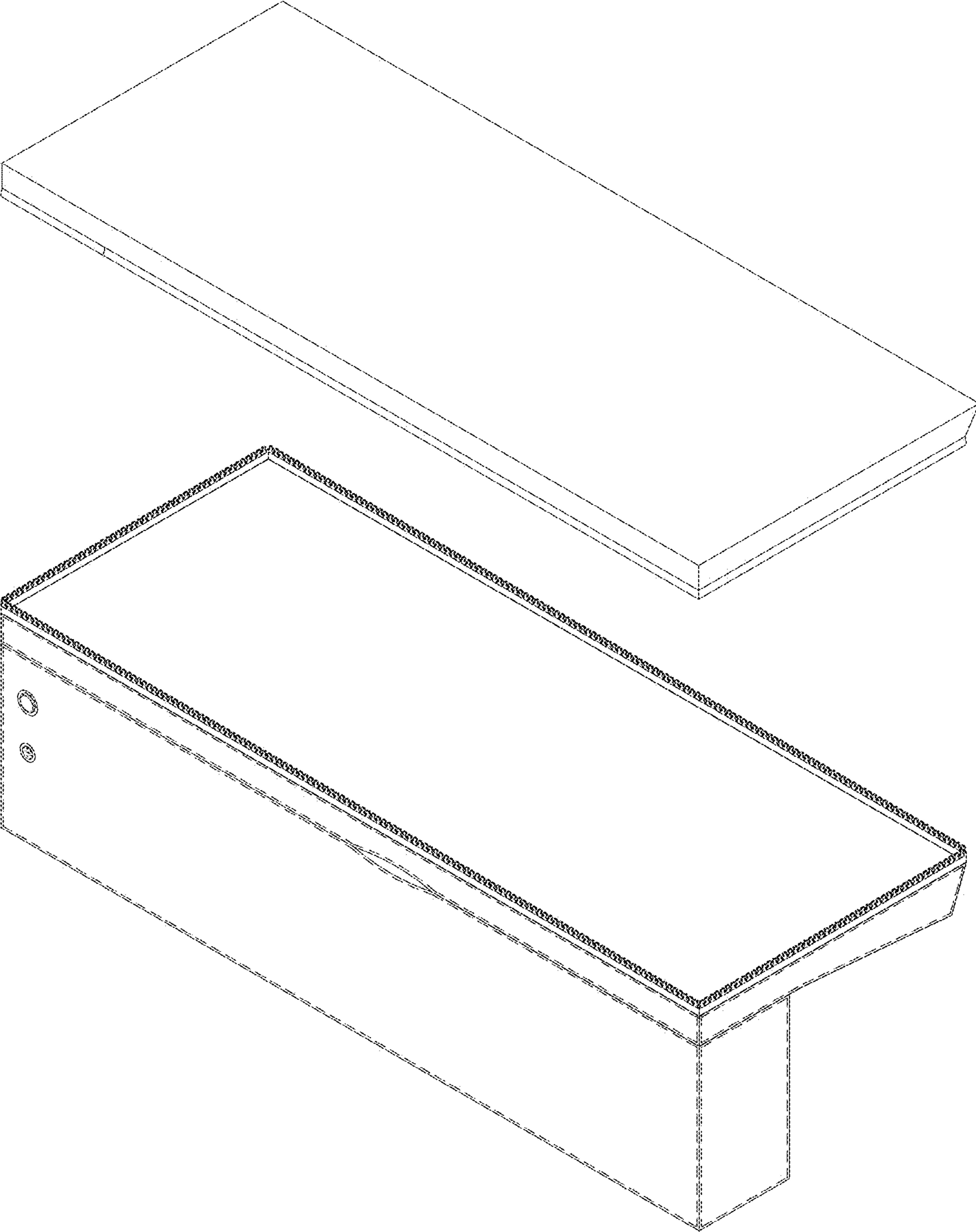


FIG. 1

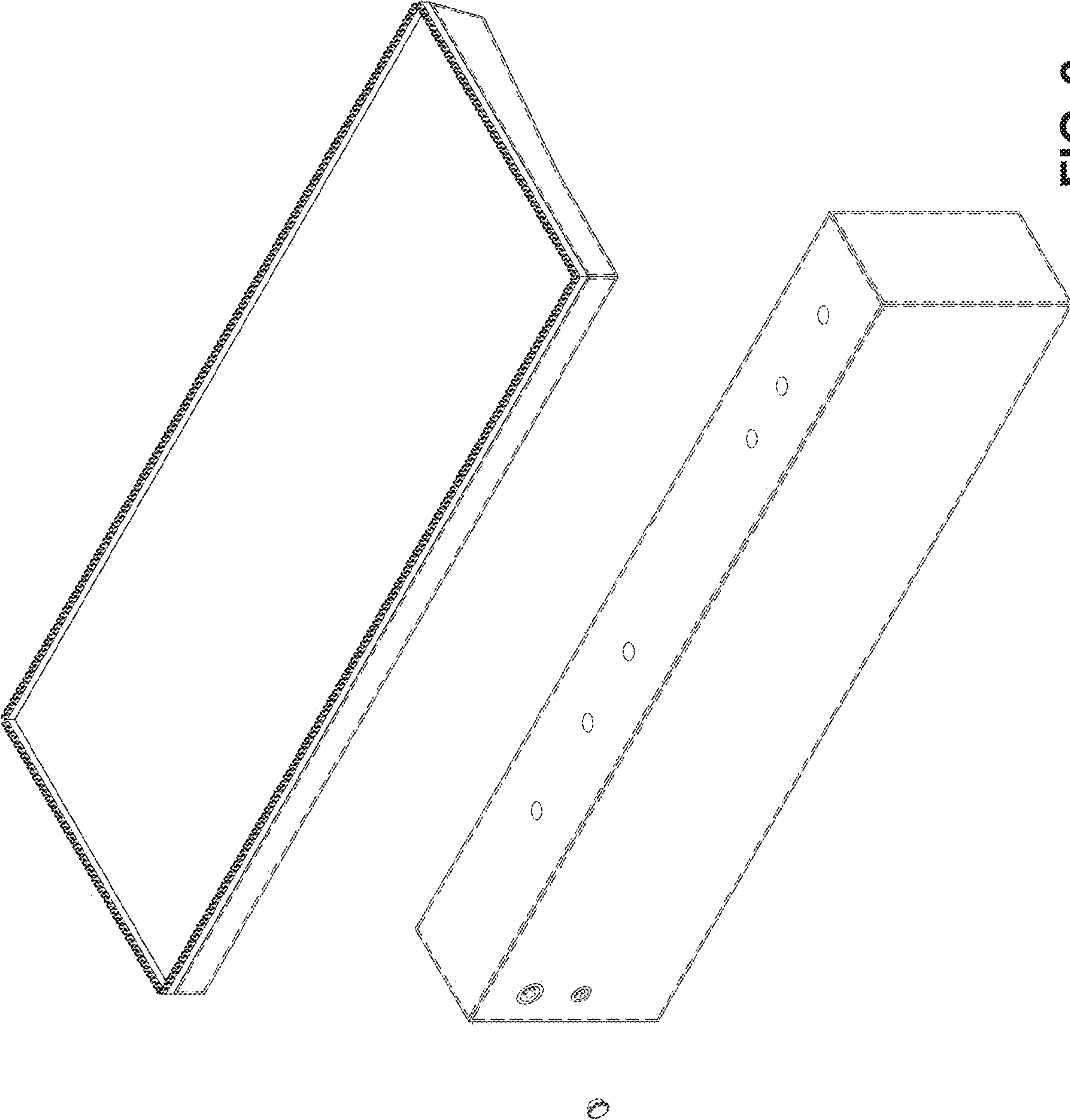


FIG. 2

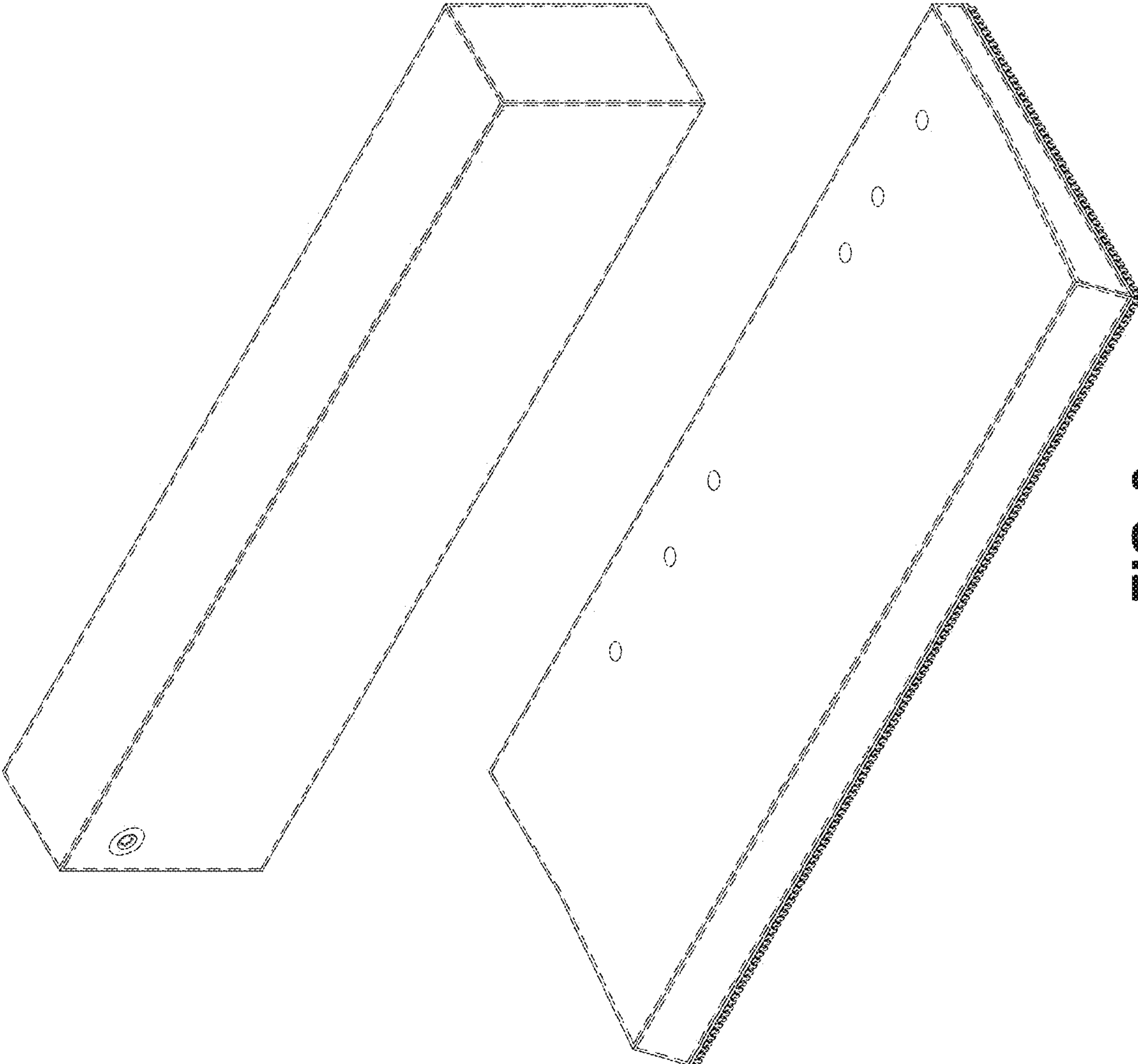


FIG. 3

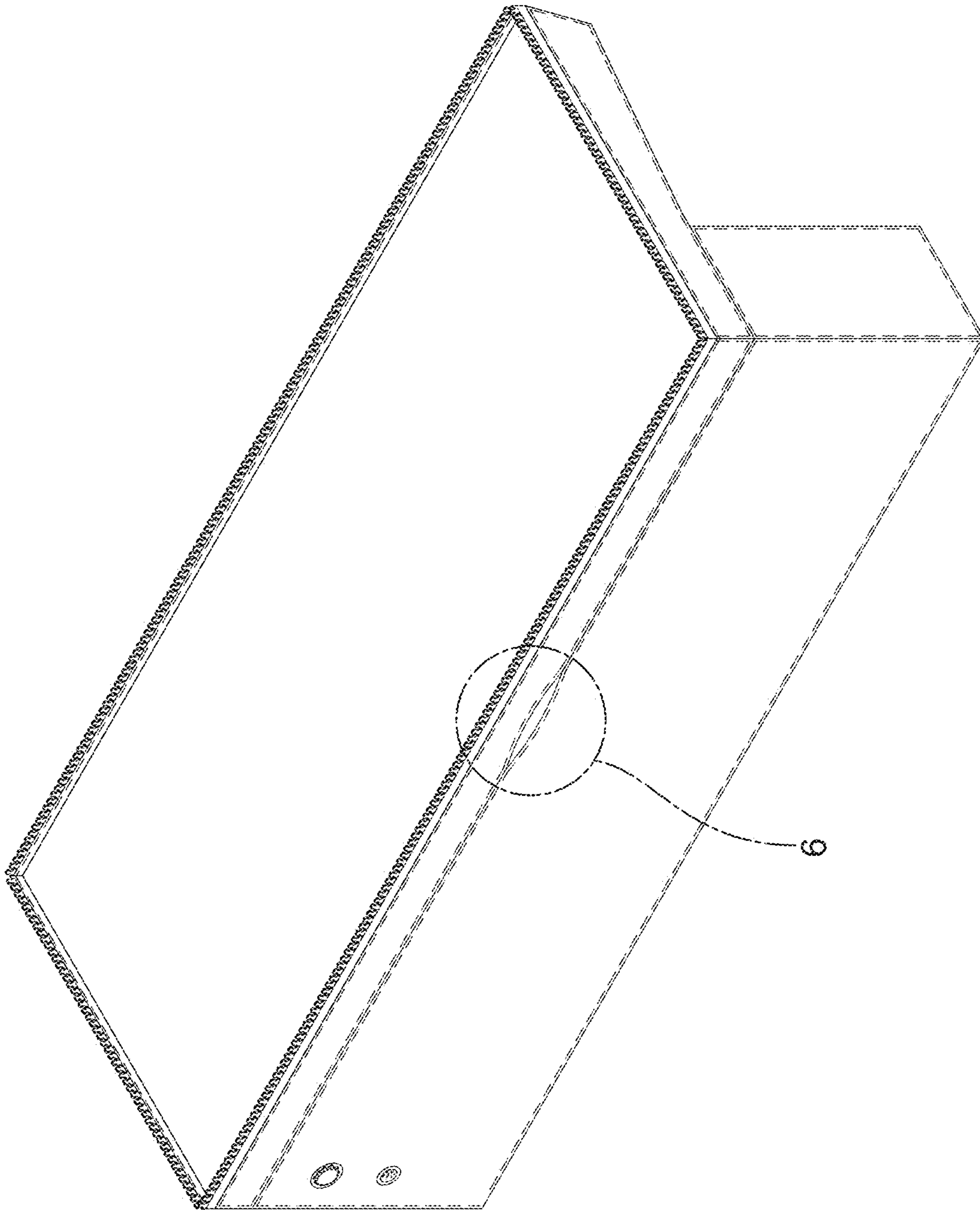


FIG. 4

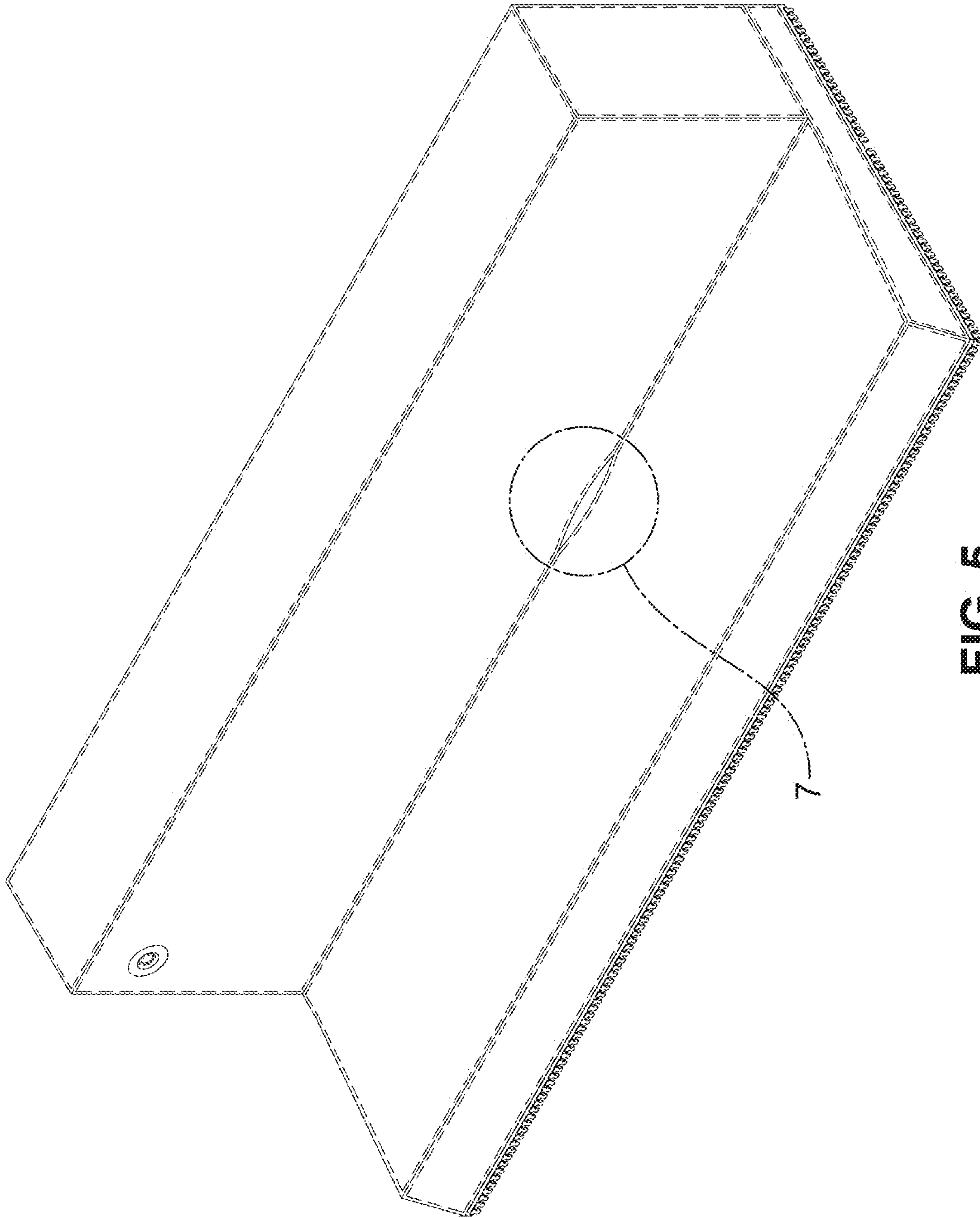


FIG. 5

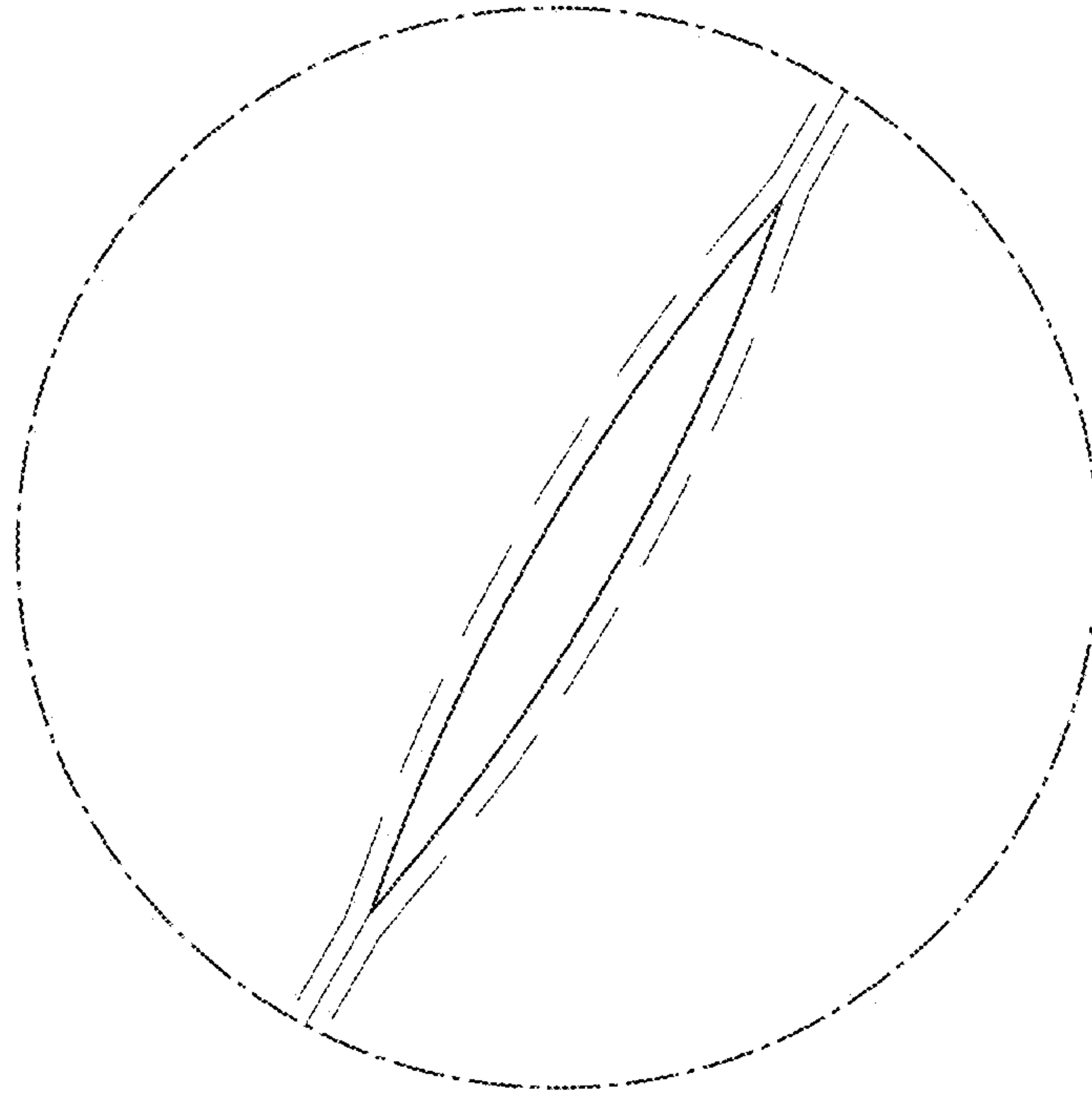


FIG. 7

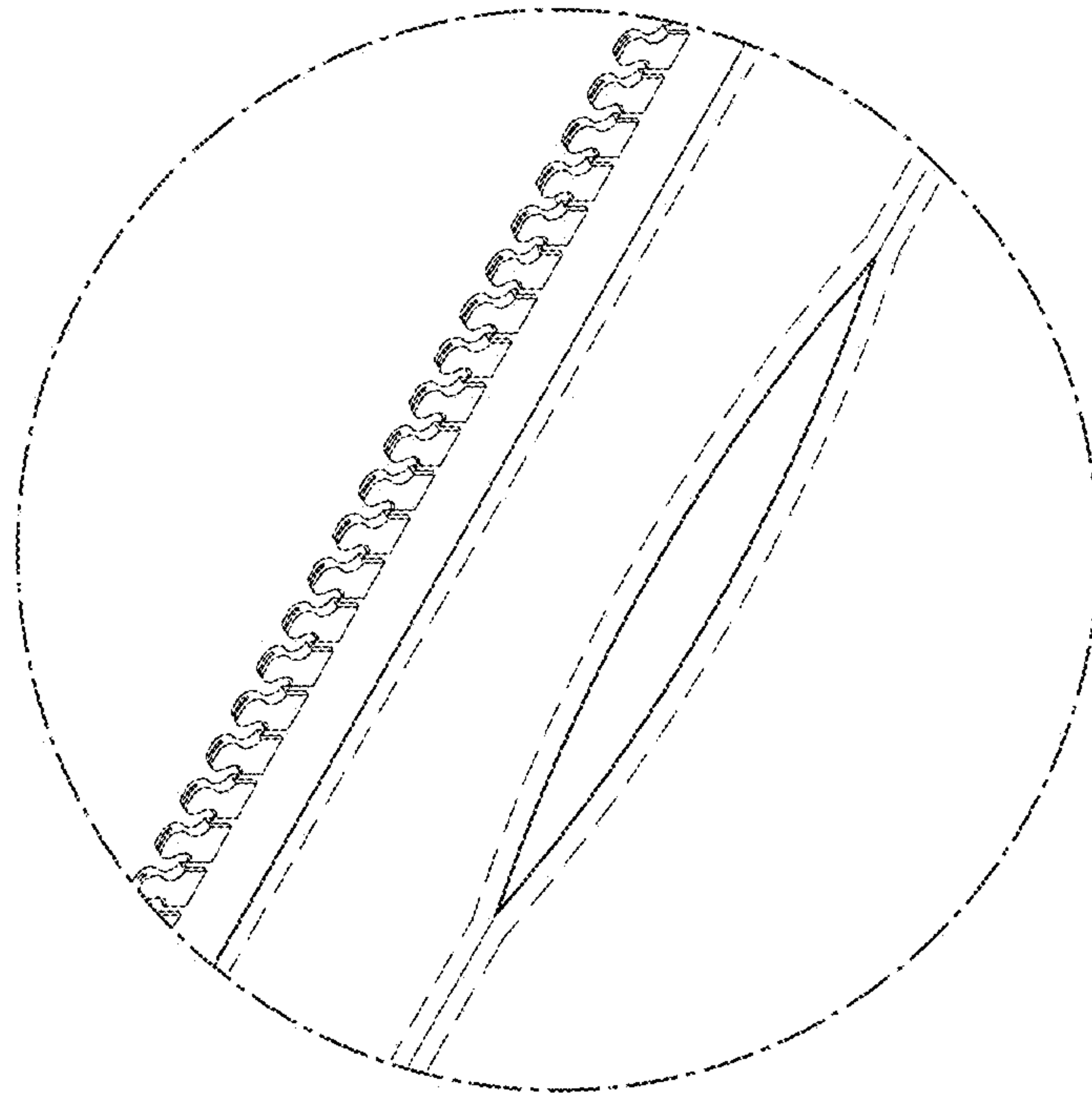


FIG. 6

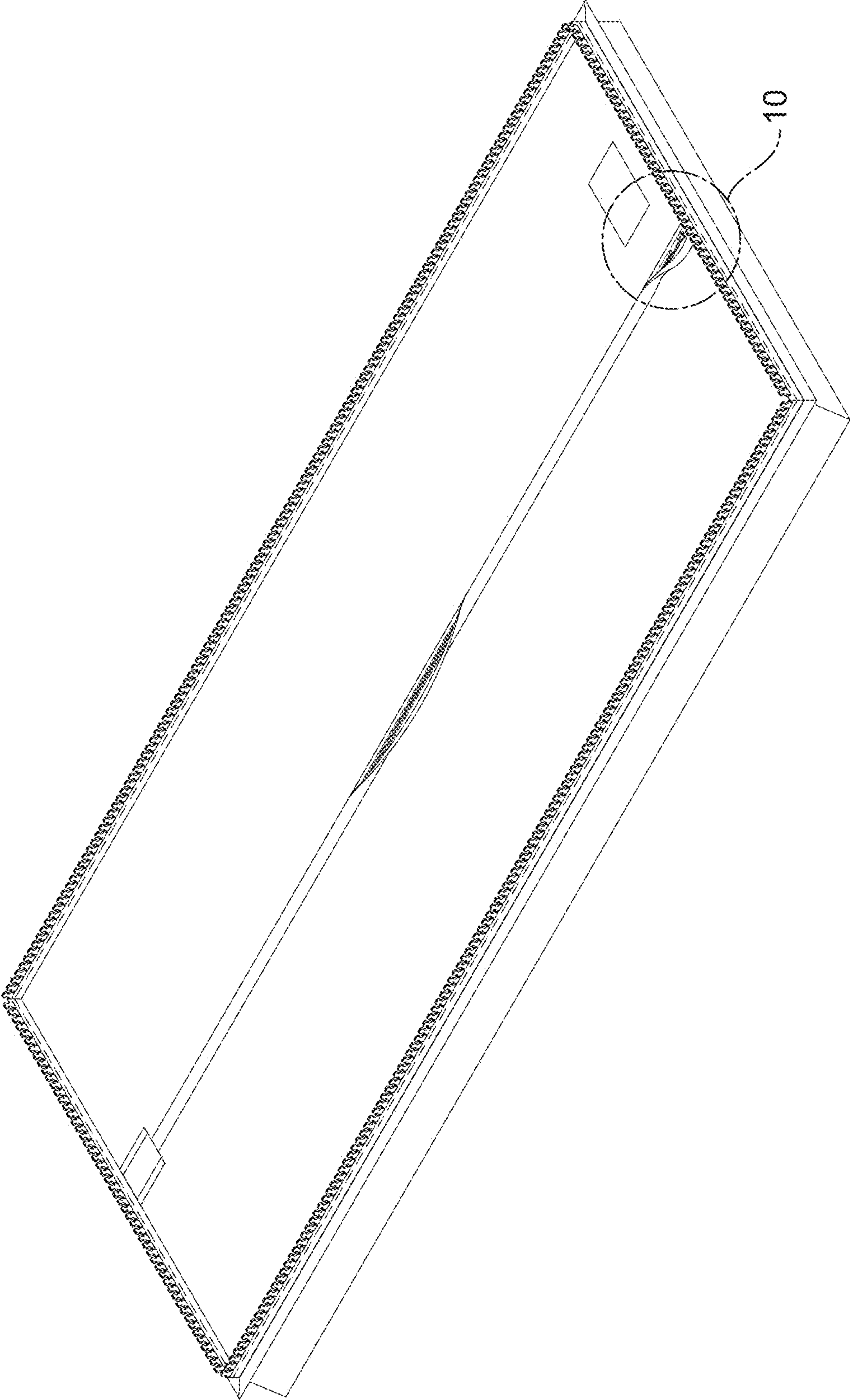


FIG. 8

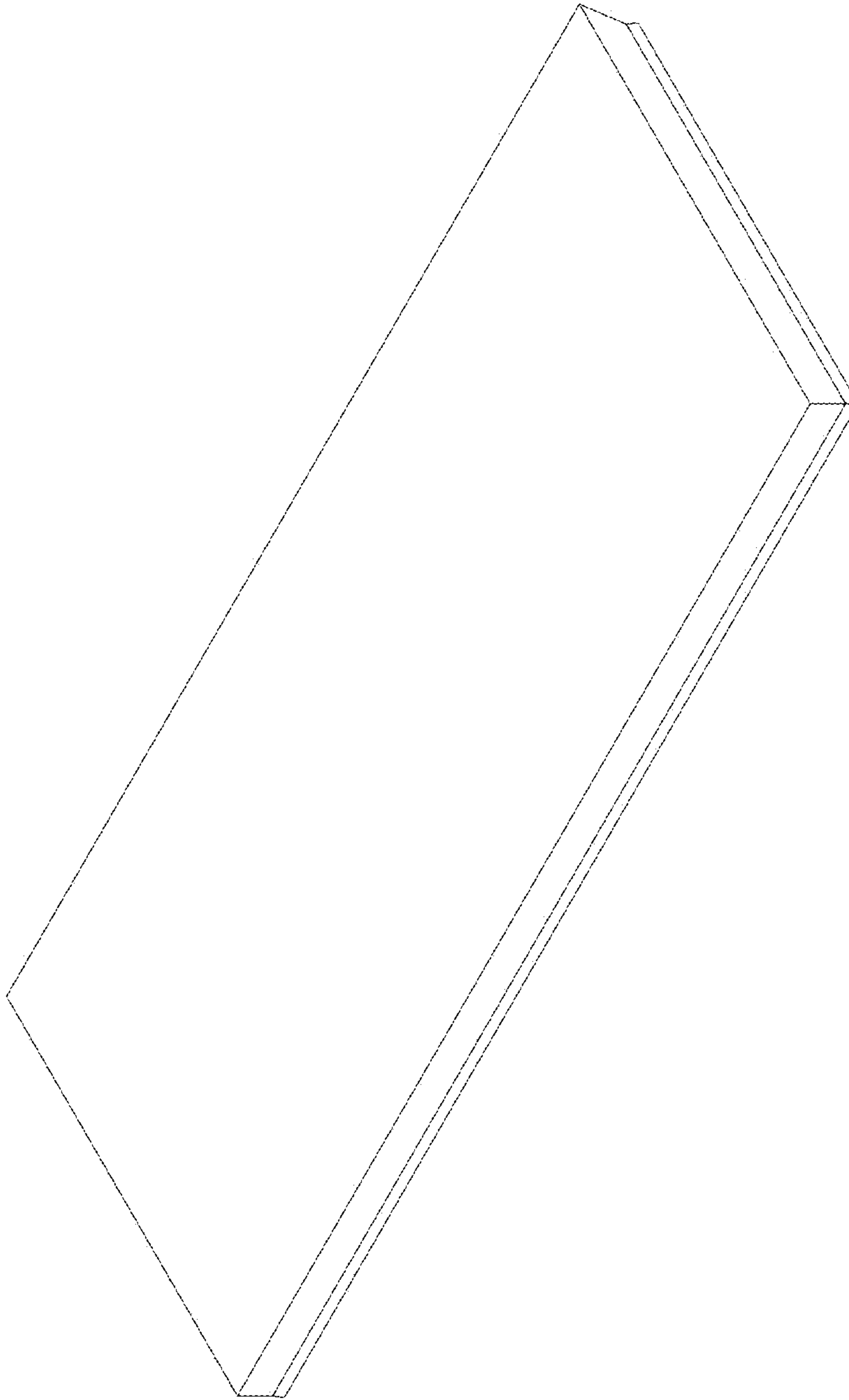


FIG. 9

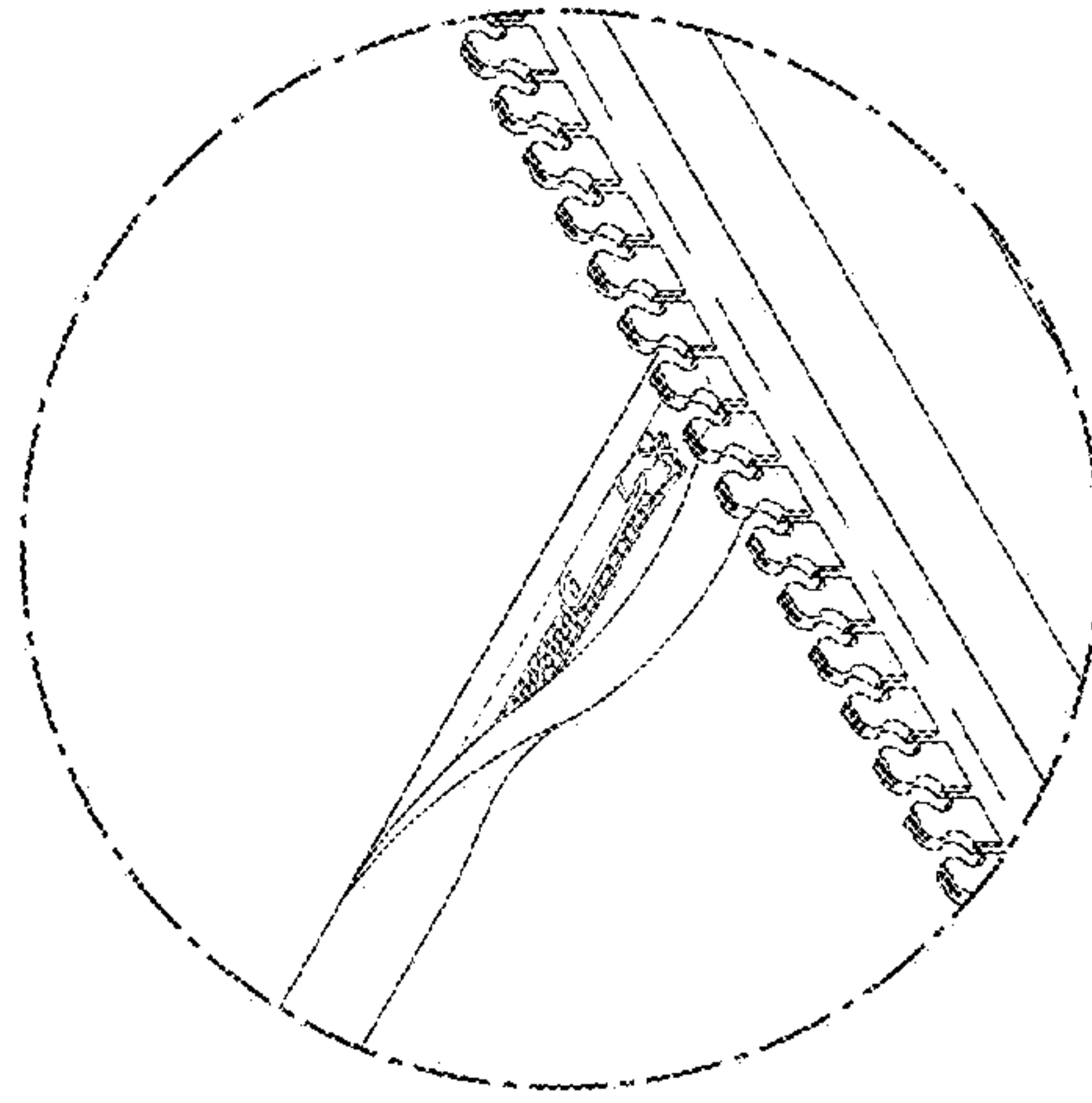


FIG. 10

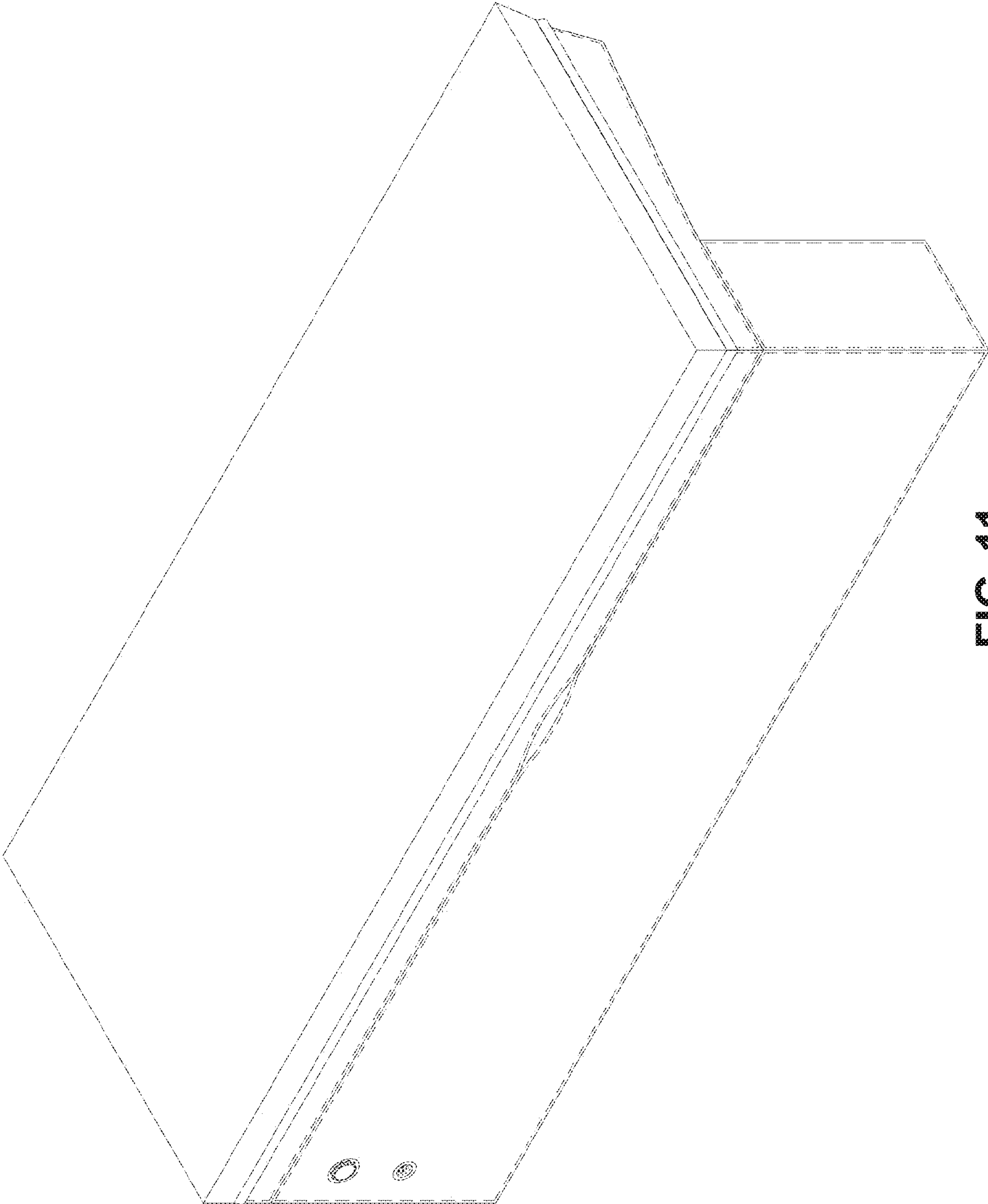


FIG. 11

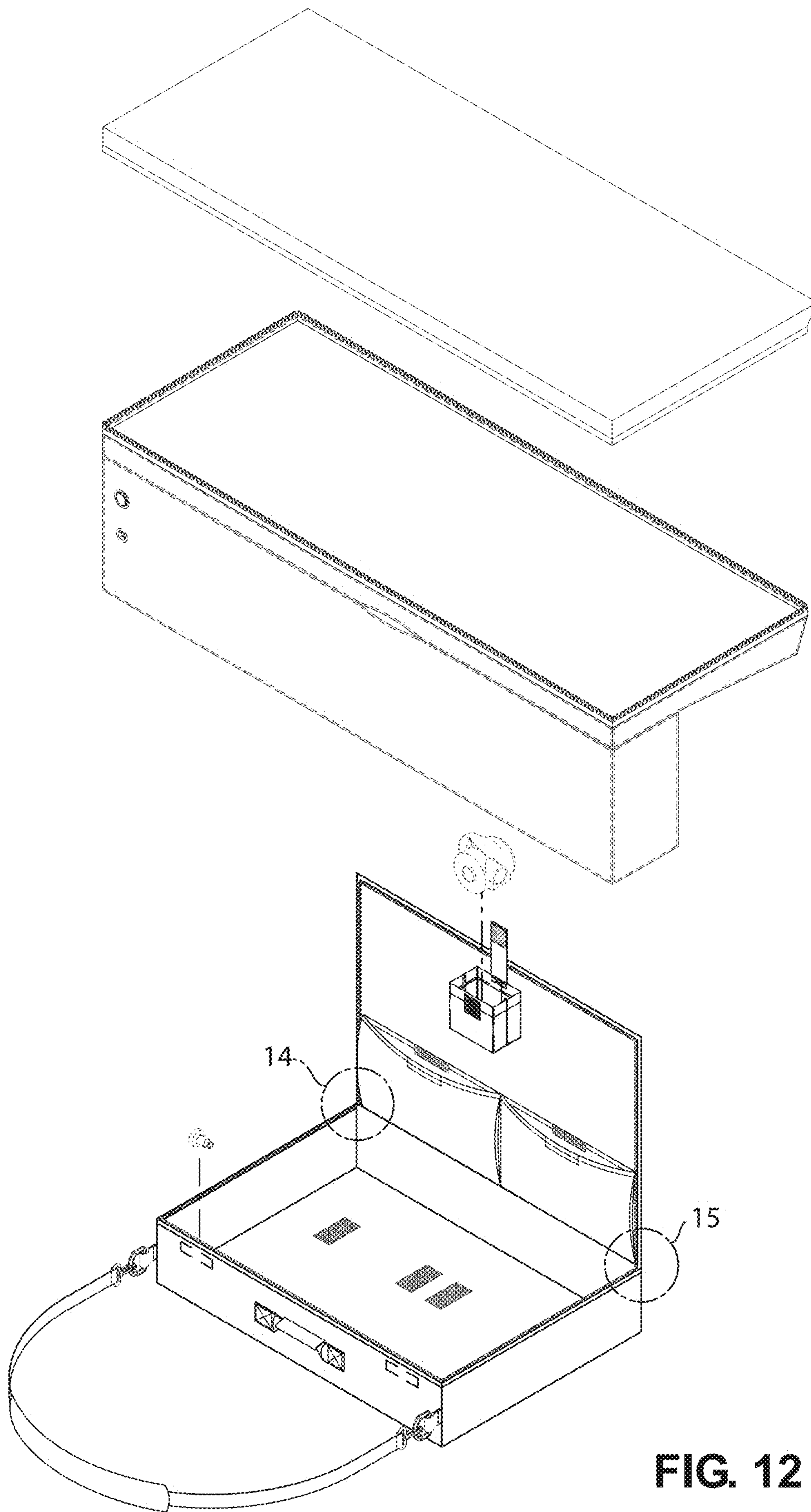


FIG. 12

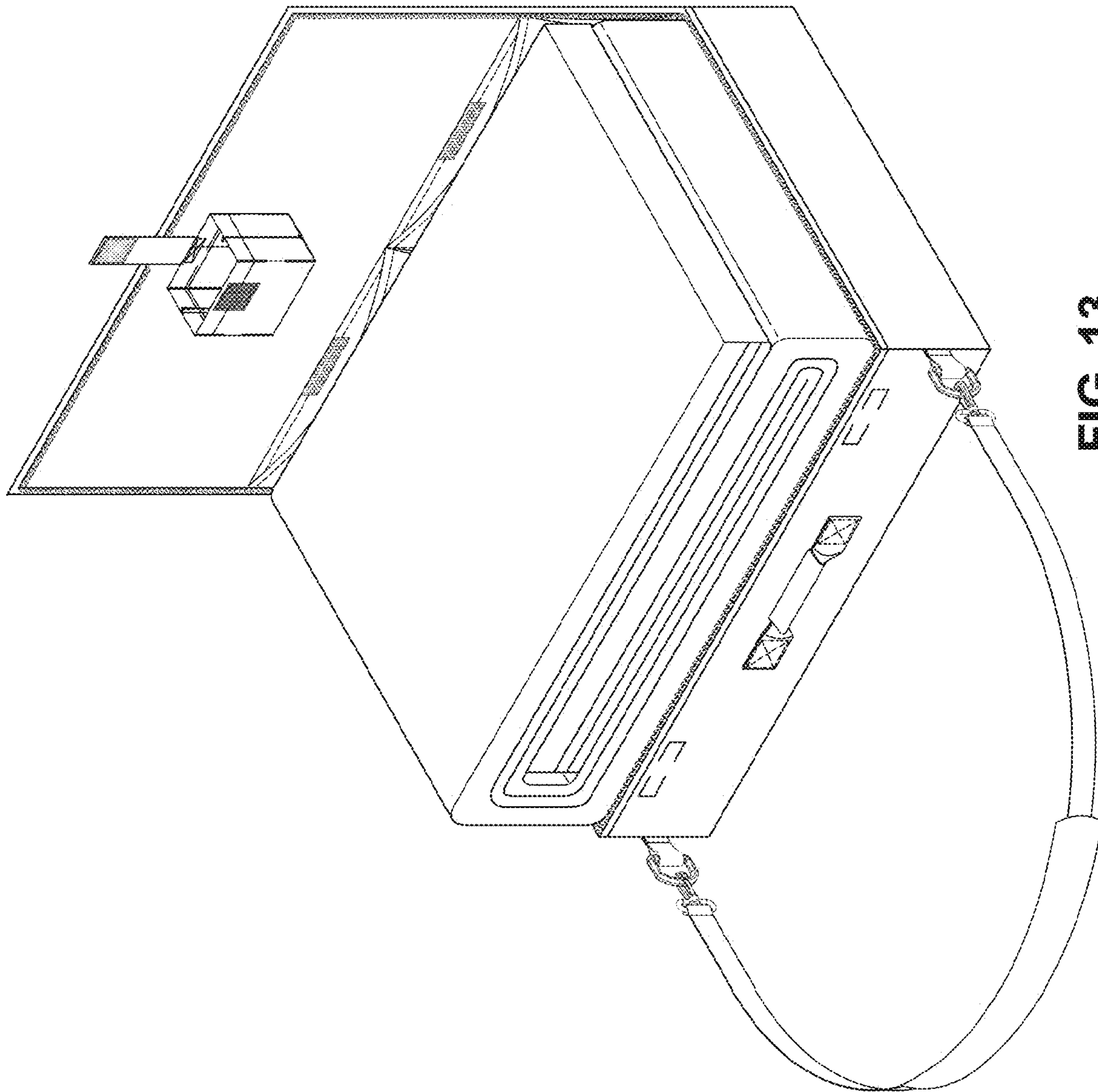


FIG. 13

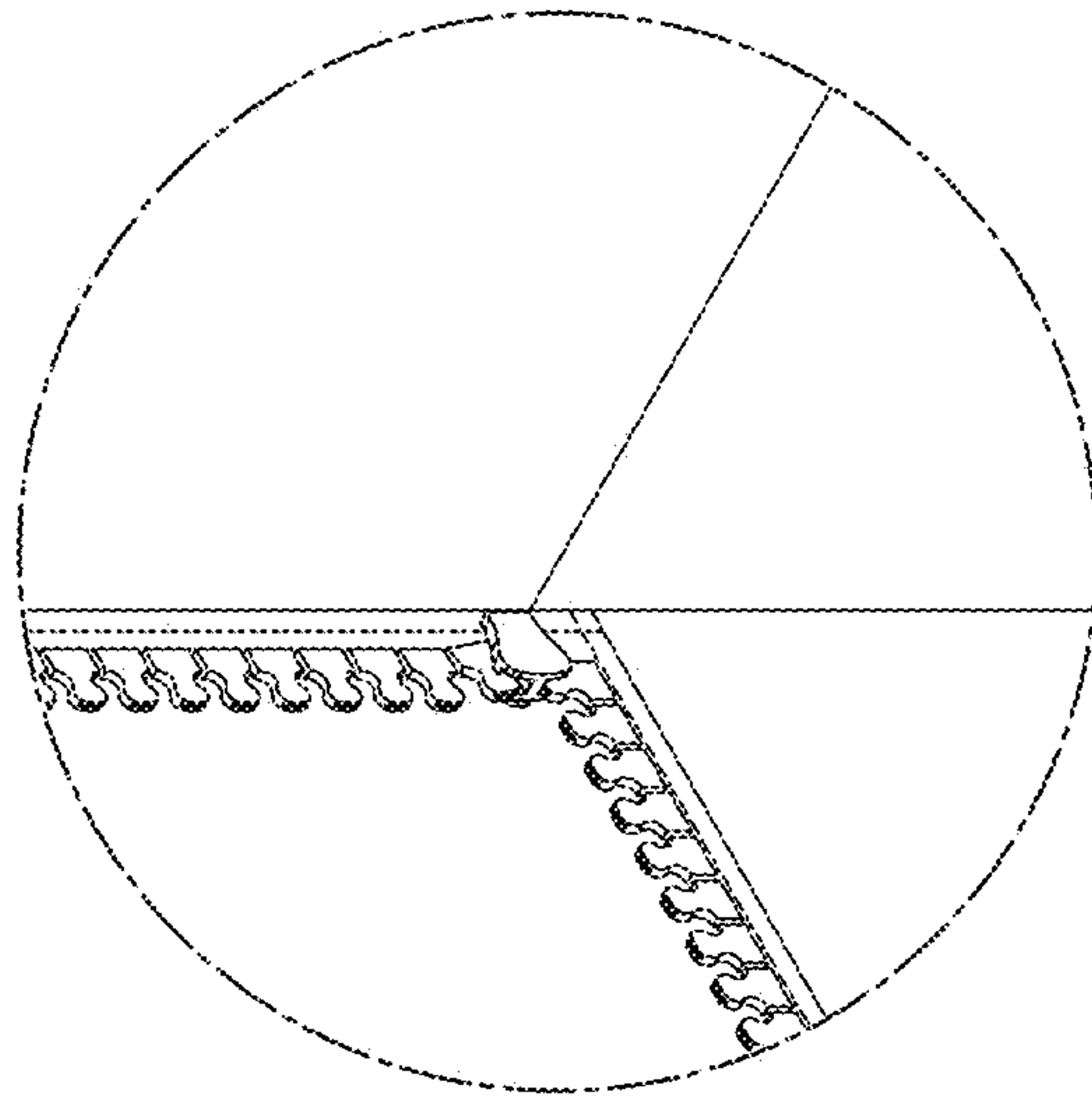


FIG. 14

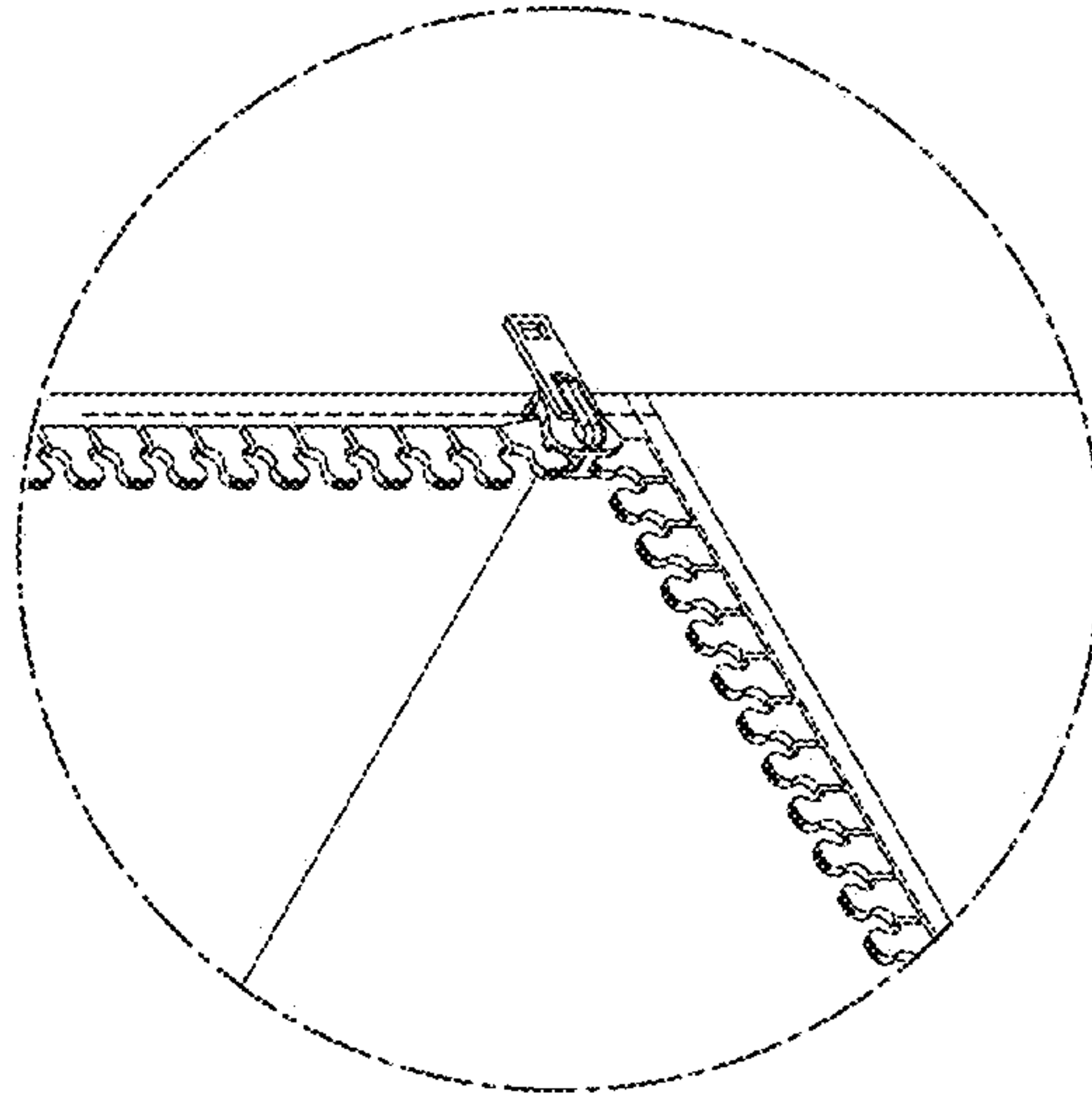


FIG. 15

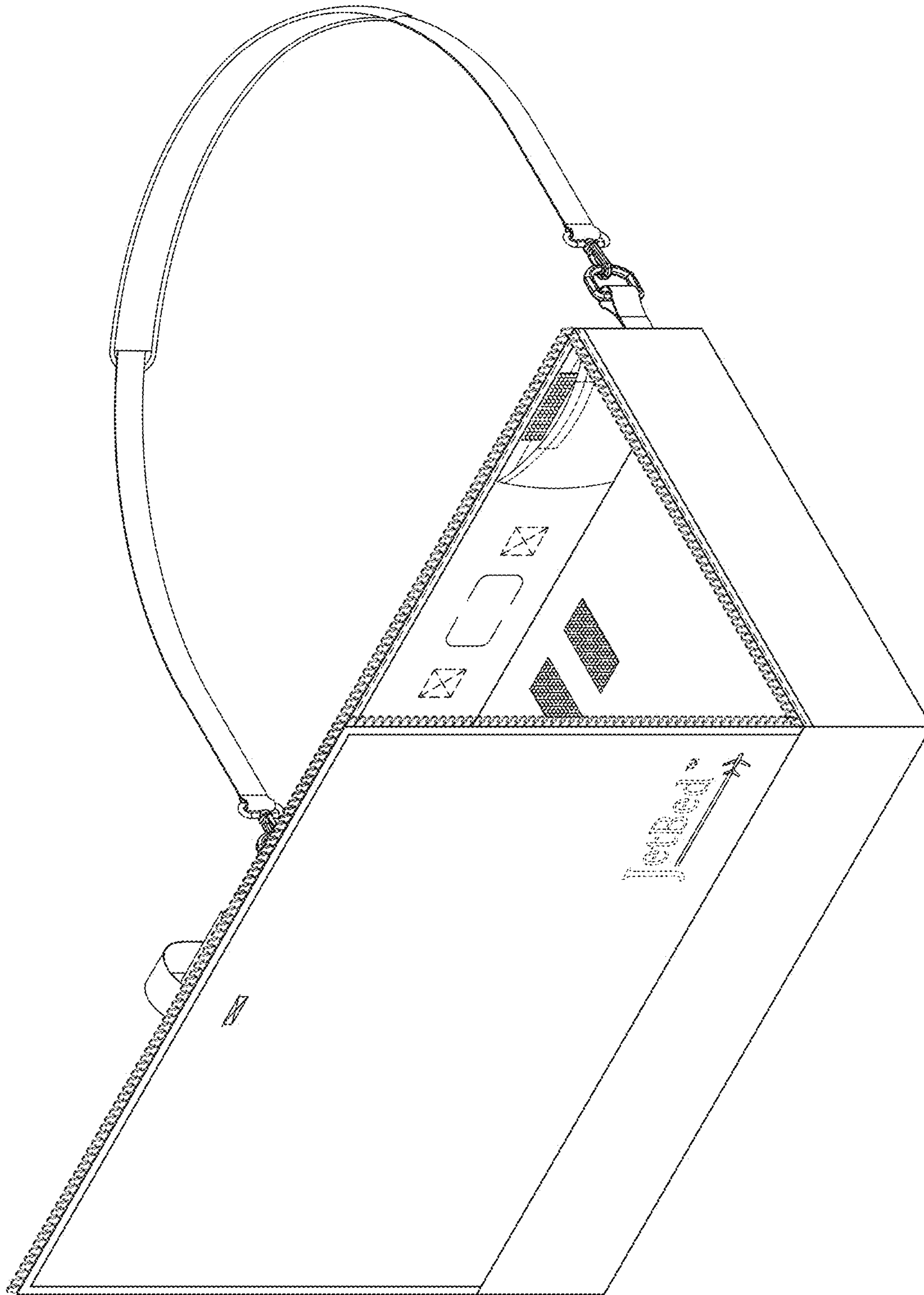


FIG. 16