



US00D964070S

(12) **United States Design Patent**  
**Maxcy**

(10) **Patent No.:** **US D964,070 S**

(45) **Date of Patent:** **\*\* Sep. 20, 2022**

(54) **OPERATING ROOM FLOOR MAT**

**DESCRIPTION**

(71) Applicant: **Colleen S. Maxcy**, Tampa, FL (US)

(72) Inventor: **Colleen S. Maxcy**, Tampa, FL (US)

(\*\*) Term: **15 Years**

(21) Appl. No.: **29/796,512**

(22) Filed: **Jun. 24, 2021**

**Related U.S. Application Data**

(62) Division of application No. 29/691,863, filed on May 20, 2019, now Pat. No. Des. 928,530.

(51) **LOC (13) Cl.** ..... **06-11**

(52) **U.S. Cl.**  
USPC ..... **D6/582**; D6/588

(58) **Field of Classification Search**  
USPC ..... D6/331, 582, 583, 585-589, 591, 592;  
D8/394; D12/203, 608; D19/9, 10, 37,  
(Continued)

(56) **References Cited**

**U.S. PATENT DOCUMENTS**

902,573 A \* 11/1908 Fleck ..... A43B 3/0031  
36/1  
2,473,877 A \* 6/1949 Goldstein ..... A43B 23/24  
36/1

(Continued)

*Primary Examiner* — Kevin K Rudzinski

*Assistant Examiner* — Clare Ann Gannon

(74) *Attorney, Agent, or Firm* — Lewellyn Law, PLLC;  
Stephen Lewellyn

(57) **CLAIM**

The ornamental design for an operating room floor mat, as shown and described.

FIG. 1 is a front, top, and side perspective view of a first embodiment of an operating room floor mat, showing my design;

FIG. 2 is a top plan view thereof;

FIG. 3 is a bottom plan view thereof;

FIG. 4 is a front elevational view thereof; the opposite side being a mirror image; and

FIG. 5 is a side elevational view thereof, the opposite side being a mirror image.

FIG. 6 is a front, top, and side perspective view of a second embodiment of an operating room floor mat, showing my design;

FIG. 7 is a top plan view thereof;

FIG. 8 is a bottom plan view thereof;

FIG. 9 is a front elevational view thereof; the opposite side being a mirror image; and

FIG. 10 is a side elevational view thereof, the opposite side being a mirror image.

FIG. 11 is a front, top, and side perspective view of a third embodiment an operating room floor mat, showing my design;

FIG. 12 is a top plan view thereof;

FIG. 13 is a bottom plan view thereof;

FIG. 14 is a front elevational view thereof; the opposite side being a mirror image; and

FIG. 15 is a side elevational view thereof, the opposite side being a mirror image.

FIG. 16 is a front, top, and side perspective view of a fourth embodiment an operating room floor mat, showing my design;

FIG. 17 is a top plan view thereof;

FIG. 18 is a bottom plan view thereof;

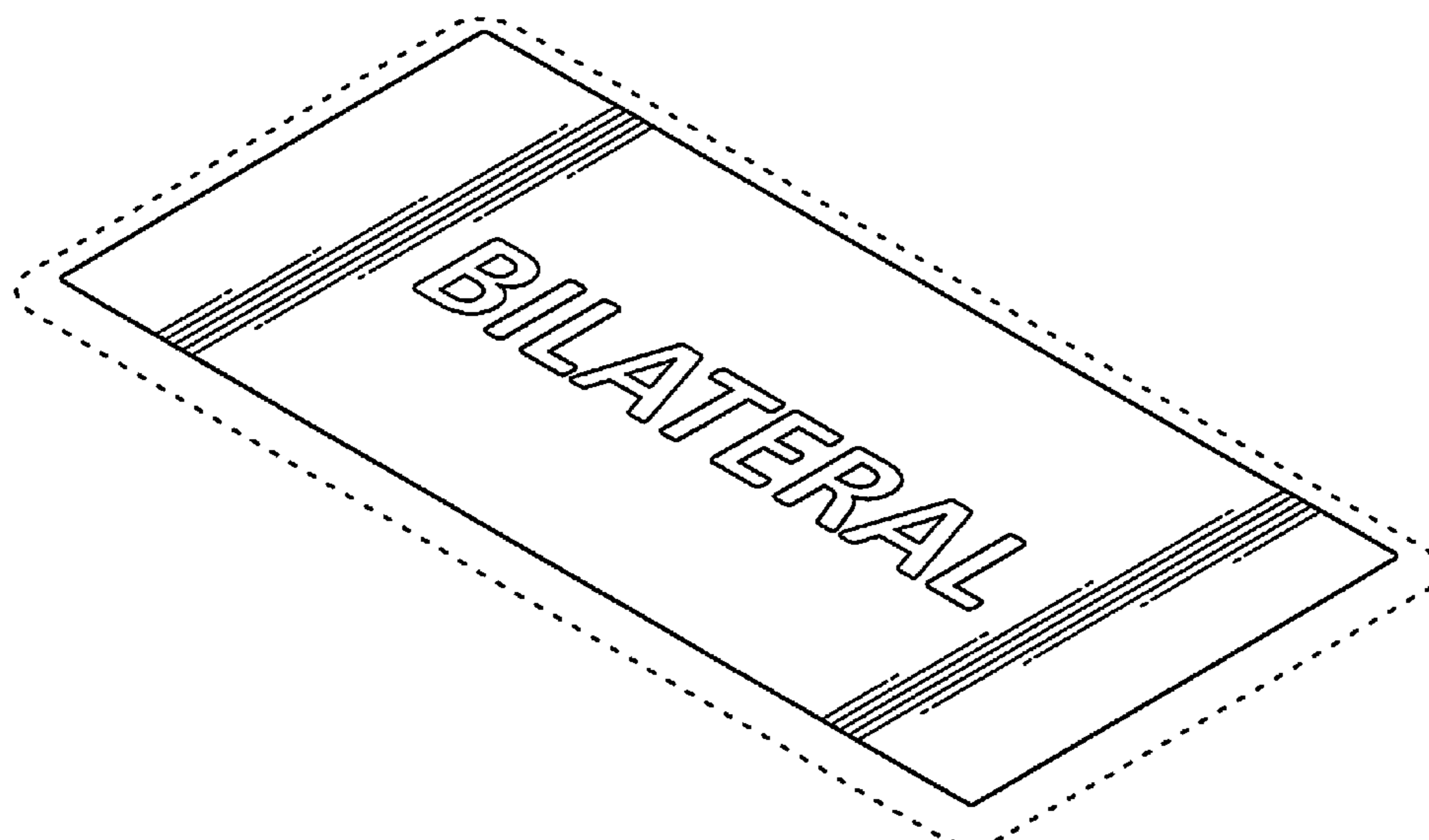
FIG. 19 is a front elevational view thereof; the opposite side being a mirror image; and,

FIG. 20 is a side elevational view thereof, the opposite side being a mirror image.

FIGS. 11, 12, 16 and 17 are shaded to indicate the color black.

The broken lines shown represent portions of the operating room floor mat that form no part of the claimed design.

**1 Claim, 8 Drawing Sheets**



US D964,070 S

(58) **Field of Classification Search**  
USPC ..... D19/113; D21/686, 780; D23/261, 310,  
D23/361; D25/156; D30/161; D32/57  
CPC ..... A47G 27/02; A47G 27/0206; A47G  
27/0212; A47G 27/0218; A47G 27/0225;  
A47G 27/0231; A47G 27/0237; A47G  
27/0275; A47G 27/0293; A47G 9/062;  
A47K 3/002; A63B 6/00; A63B 21/4037  
See application file for complete search history.

(56) **References Cited**

U.S. PATENT DOCUMENTS

2,843,868 A \* 7/1958 Borgstrom ..... A47L 23/266  
15/215  
3,330,053 A \* 7/1967 Hendrix ..... G09B 19/02  
434/188  
3,518,428 A \* 6/1970 Ring ..... H01F 7/0215  
378/165  
3,619,611 A \* 11/1971 Hall ..... G03B 42/047  
378/165  
4,035,653 A \* 7/1977 Karasko ..... G09F 3/0291  
378/165

4,127,774 A \* 11/1978 Gillen ..... G03B 42/047  
378/162  
D316,119 S \* 4/1991 McDermott ..... D14/494  
D369,936 S \* 5/1996 Halcomb ..... G03B 42/047  
D6/596  
D401,101 S \* 11/1998 Shanley, Jr. .... G09F 3/0291  
D6/583  
D406,000 S \* 2/1999 Hartranft ..... D6/583  
6,219,876 B1 \* 4/2001 Blum ..... G09F 19/22  
15/215  
D840,717 S \* 2/2019 Lu ..... A43B 23/24  
D6/582  
D928,530 S \* 8/2021 Maxcy ..... A47L 23/266  
D6/582  
2002/0187315 A1 \* 12/2002 Tanel ..... A47L 23/266  
428/204  
2003/0044561 A1 \* 3/2003 Kobayashi ..... B32B 7/12  
428/47  
2014/0329044 A1 \* 11/2014 Fantin ..... B32B 3/18  
428/71  
2019/0117039 A1 \* 4/2019 McKeown ..... A47L 23/26  
2021/0000562 A1 \* 1/2021 Maxcy ..... A61B 90/39

\* cited by examiner

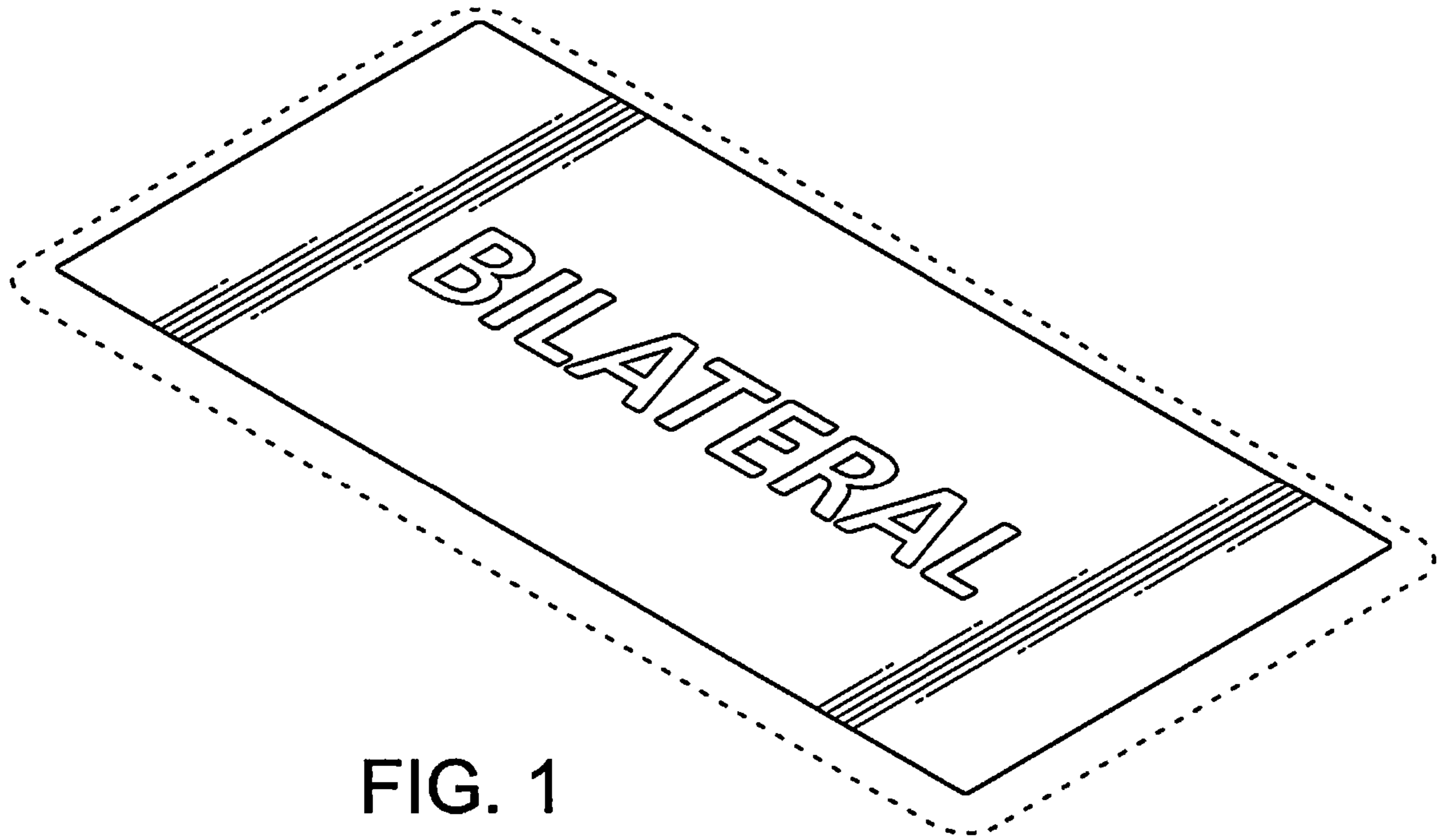


FIG. 1

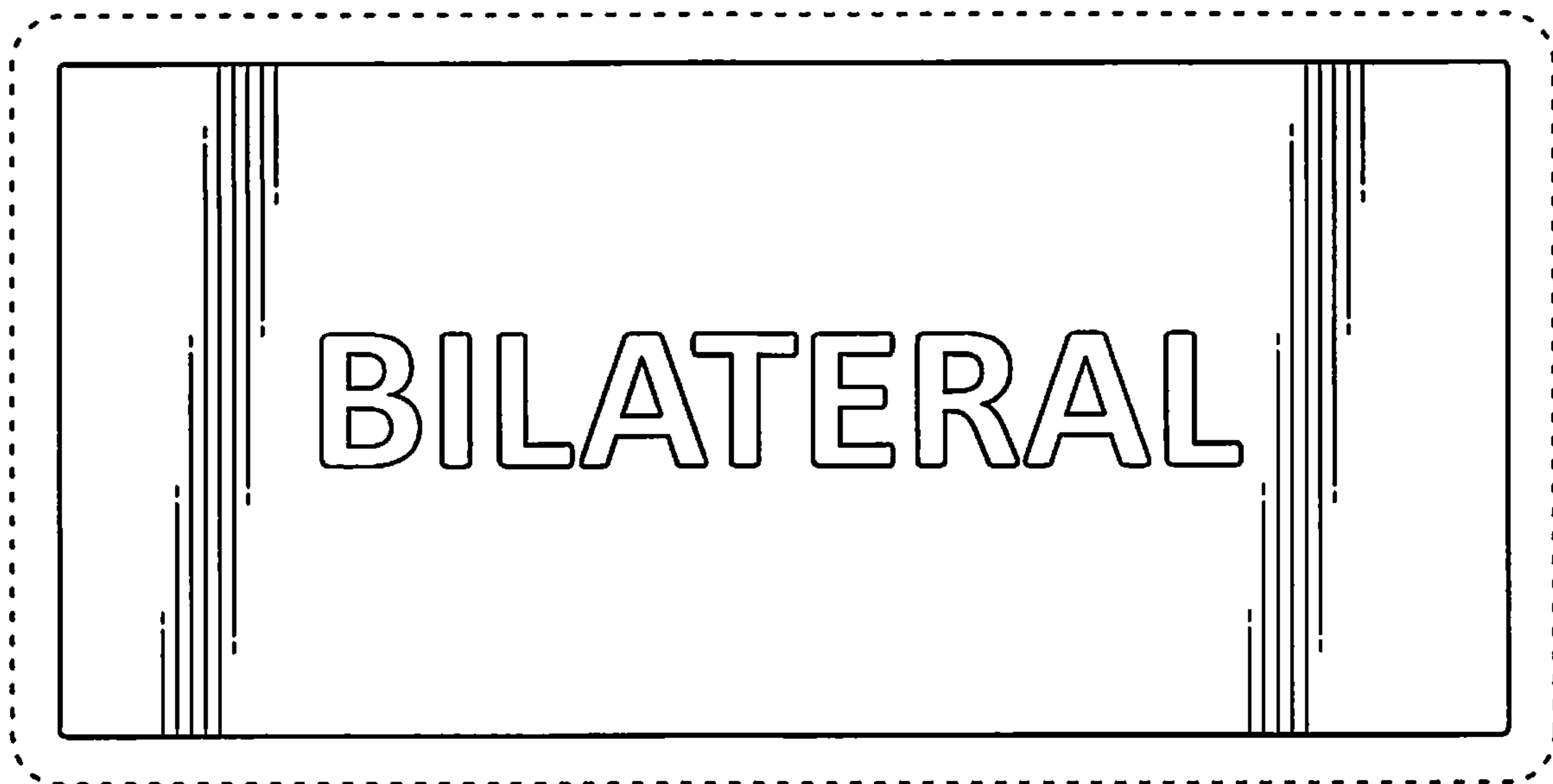


FIG. 2



FIG. 3



FIG. 4



FIG. 5

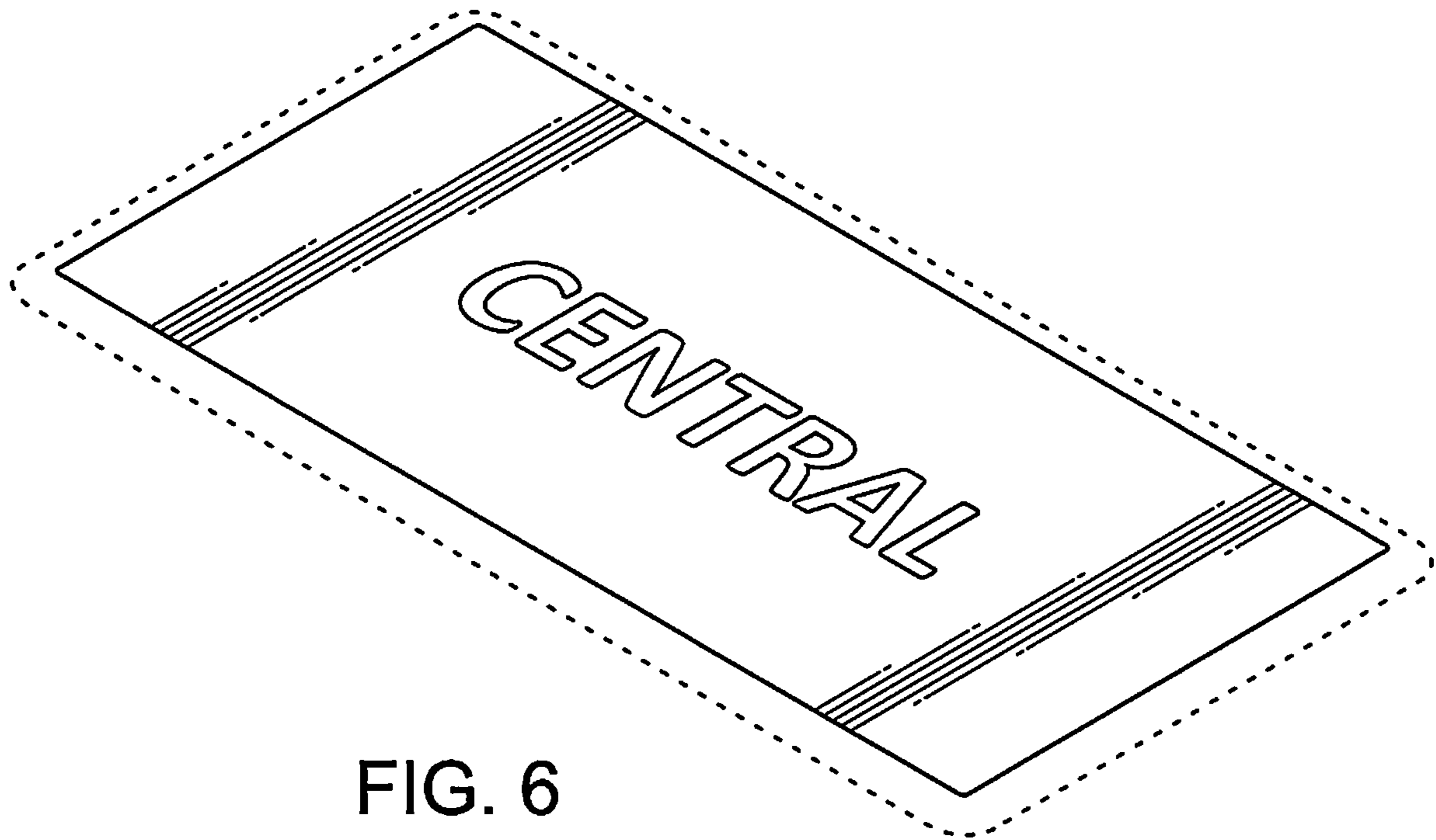


FIG. 6



FIG. 7



FIG. 8



FIG. 9



FIG. 10

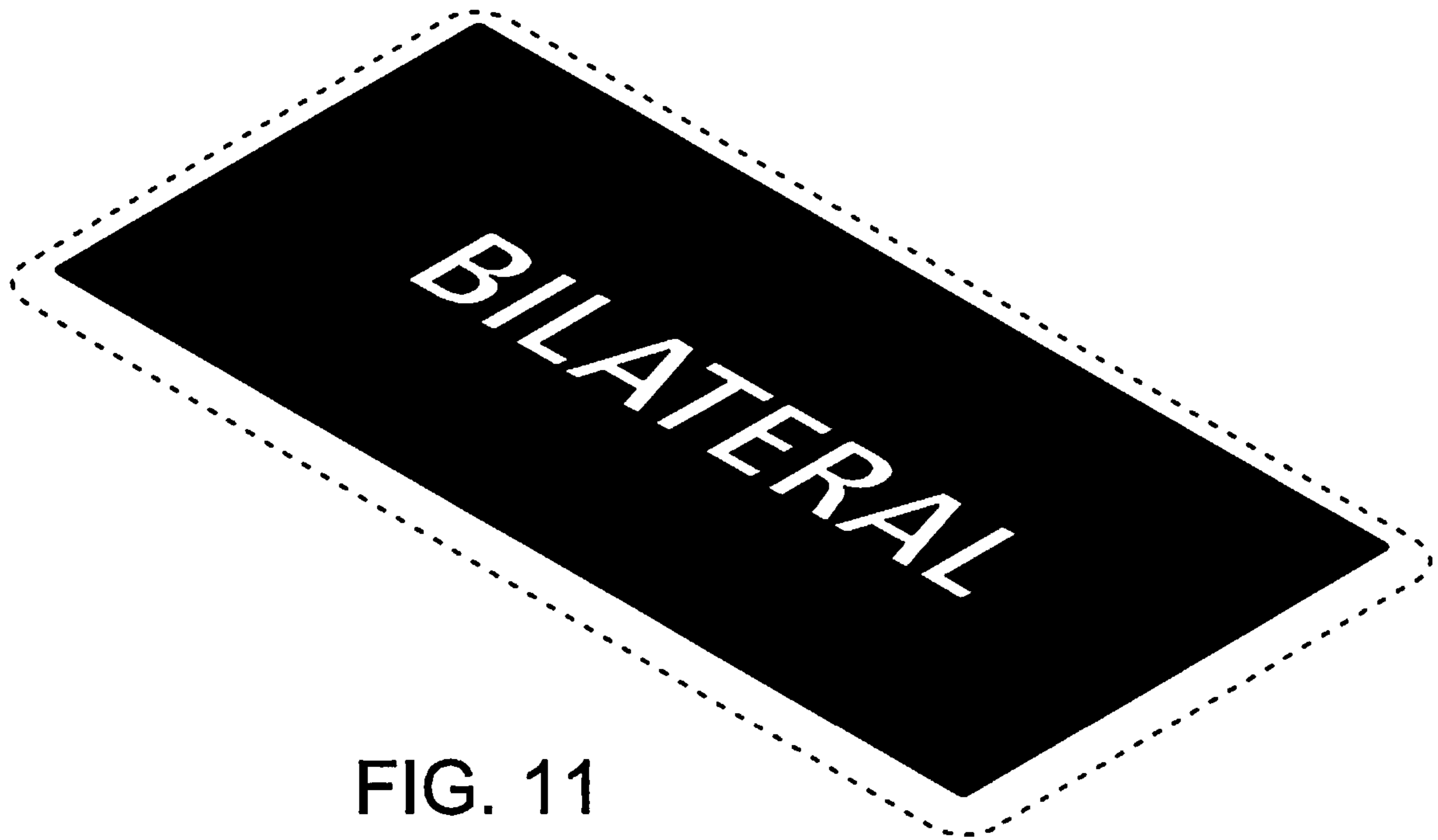


FIG. 11



FIG. 12



FIG. 13



FIG. 14



FIG. 15



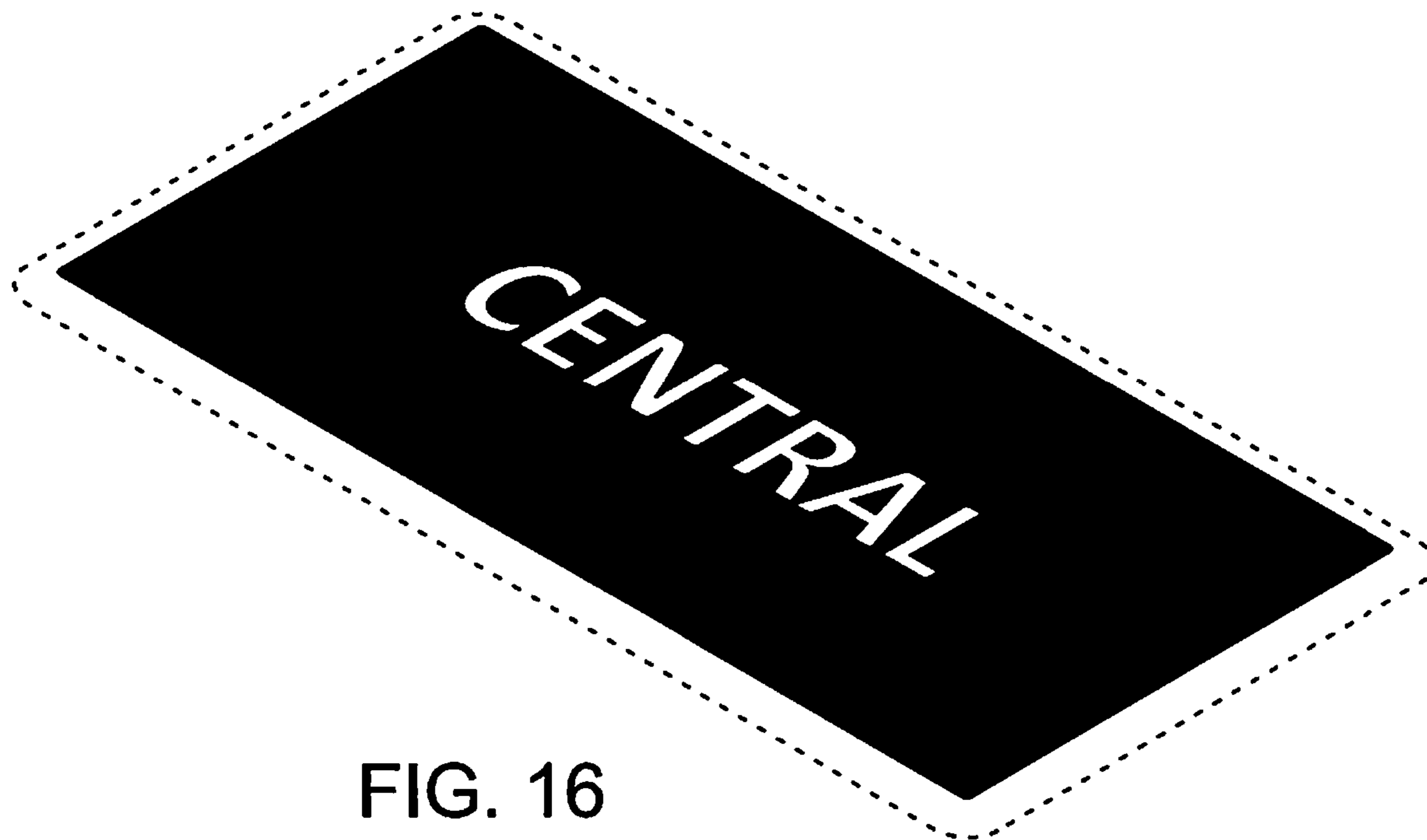


FIG. 16



FIG. 17



FIG. 18



FIG. 19



FIG. 20