



US00D964064S

(12) **United States Design Patent**
Feijo

(10) **Patent No.:** **US D964,064 S**

(45) **Date of Patent:** **** Sep. 20, 2022**

(54) **LAP PILLOW**

(71) Applicant: **Nicholas N. Feijo**, Brantford (CA)

(72) Inventor: **Nicholas N. Feijo**, Brantford (CA)

(**) Term: **15 Years**

(21) Appl. No.: **29/713,780**

(22) Filed: **Nov. 19, 2019**

(51) **LOC (13) Cl.** **06-06**

(52) **U.S. Cl.**
USPC **D6/406.6**

(58) **Field of Classification Search**
USPC D6/406.1, 406.3, 406.5, 406.6, 512,
D6/685-686, 691, 704, 705; D7/550.1,
D7/552.2, 554.3, 555; D14/439, 447
CPC A47G 23/06; A47G 23/0608; A47G 9/10;
A47G 9/1018; A47G 9/1072; A47B
23/00; A47B 23/002; G06F 1/1613
See application file for complete search history.

(56) **References Cited**

U.S. PATENT DOCUMENTS

D282,043 S * 1/1986 Morin D7/552.2
D338,568 S * 8/1993 Juster D6/406.4
D404,219 S * 1/1999 Patterson D6/406.5
D681,625 S * 5/2013 Zehner D14/253

D714,807 S * 10/2014 Pulver D14/447
D725,120 S * 3/2015 Lo D6/601
D801,345 S * 10/2017 Kujawski D14/447
D828,361 S * 9/2018 Turksu D14/447
D835,428 S * 12/2018 Askew-Harris D6/406.3
D842,849 S * 3/2019 Yun D14/253
D925,544 S * 7/2021 Li D14/447
D939,023 S * 12/2021 van Hooft D19/91

* cited by examiner

Primary Examiner — Kelley A Donnelly

(74) *Attorney, Agent, or Firm* — Heer Law; Christopher Heer; Ian Goodman

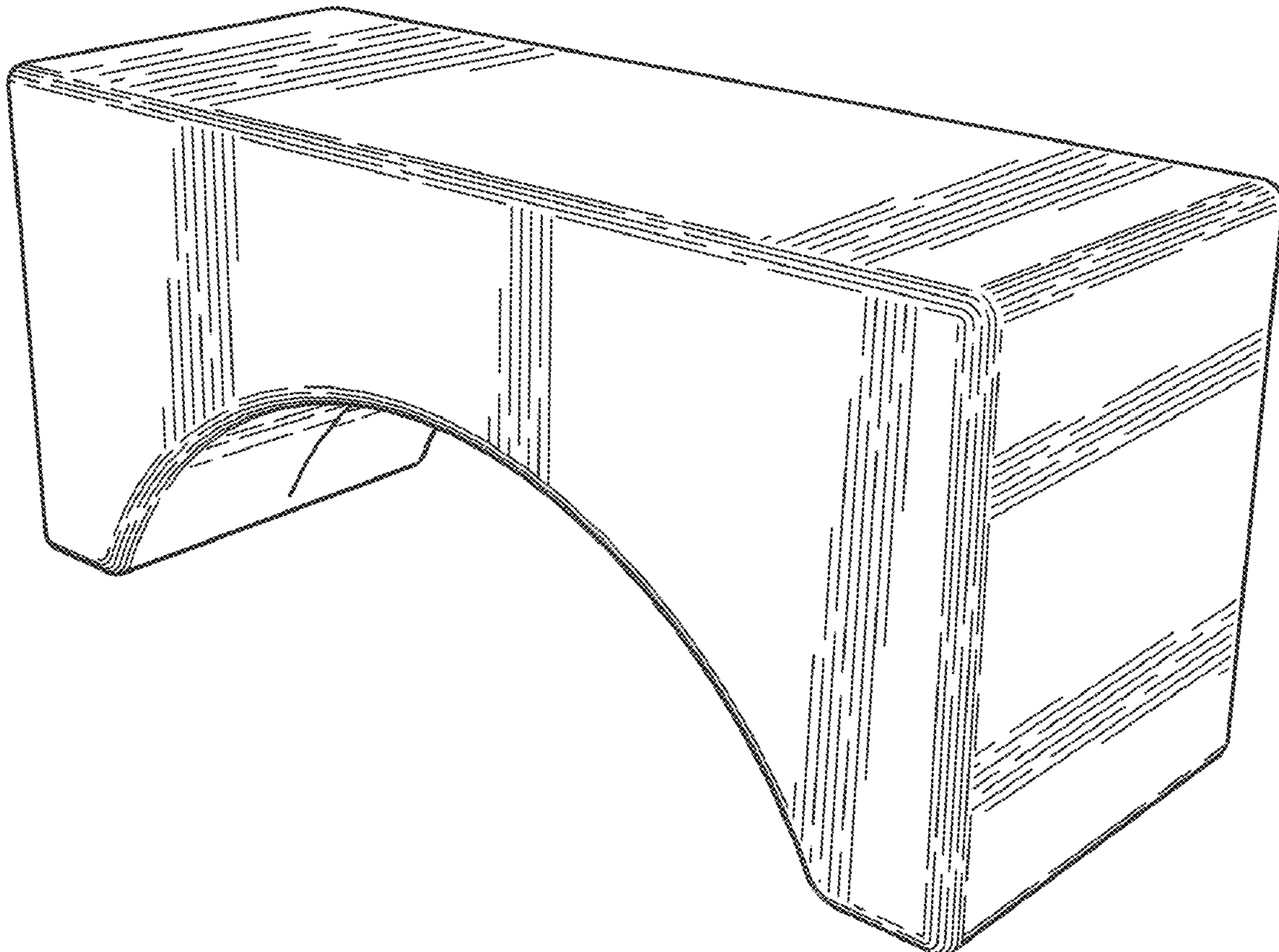
(57) **CLAIM**

The ornamental design for a lap pillow, as shown and described.

DESCRIPTION

FIG. 1 is a perspective view of a first embodiment of a lap pillow according to the present design;
FIG. 2 is a front view thereof;
FIG. 3 is a side view thereof;
FIG. 4 is a top plan view thereof;
FIG. 5 is a bottom plan view thereof;
FIG. 6 is a perspective view of a second embodiment of a lap pillow according to the present design;
FIG. 7 is a front view thereof;
FIG. 8 is a side view thereof;
FIG. 9 is a top plan view thereof; and,
FIG. 10 is a bottom plan view thereof.

1 Claim, 4 Drawing Sheets



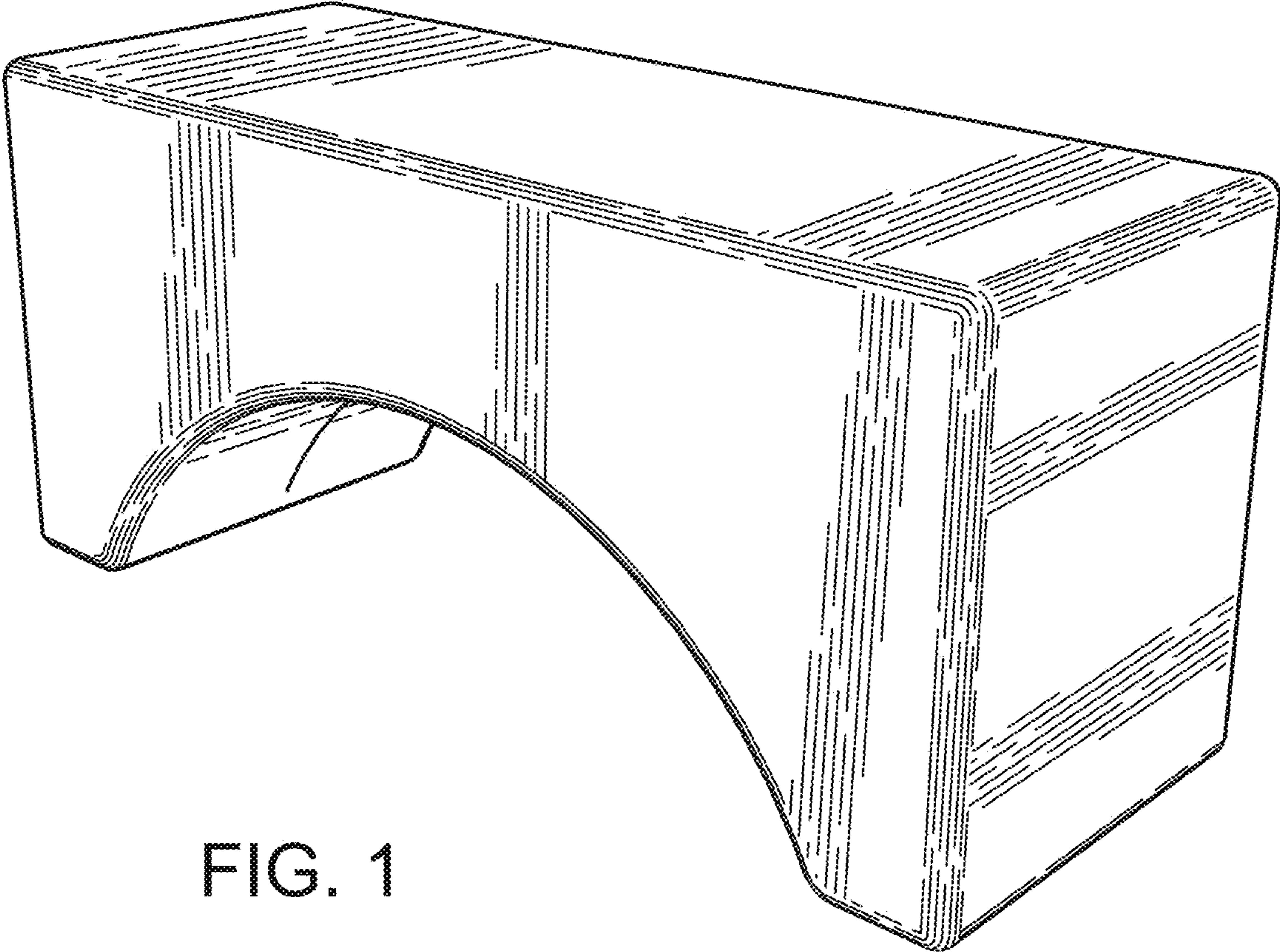


FIG. 1

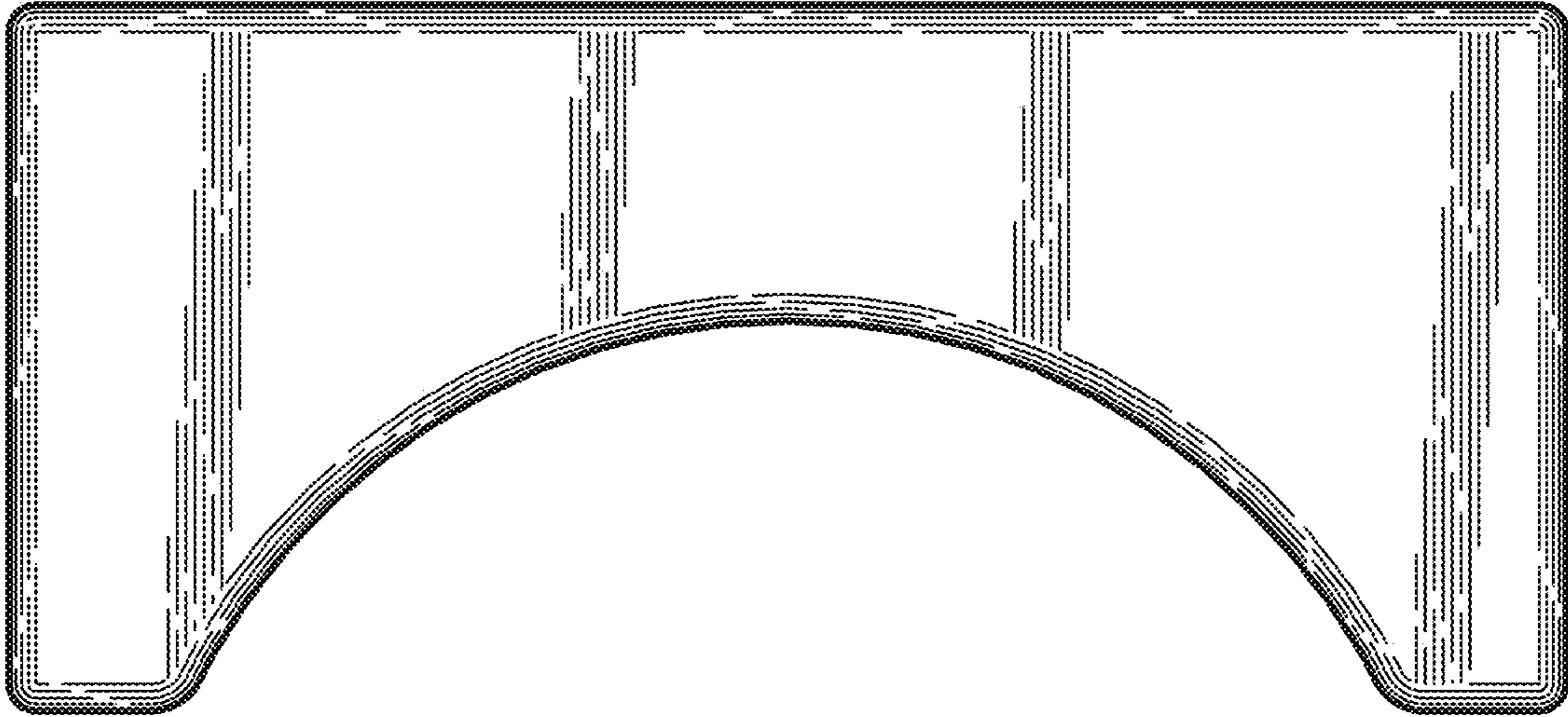


FIG. 2

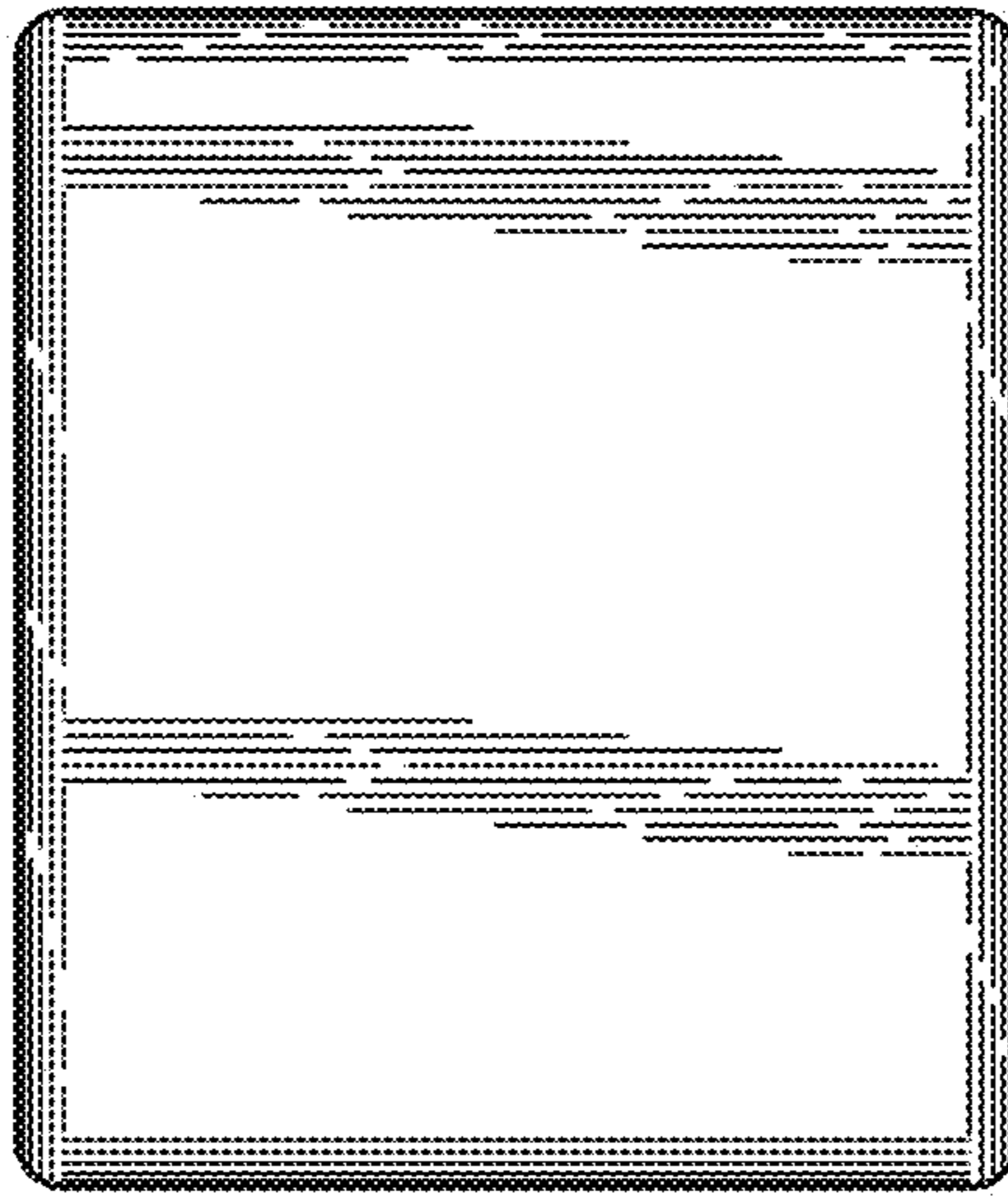


FIG. 3

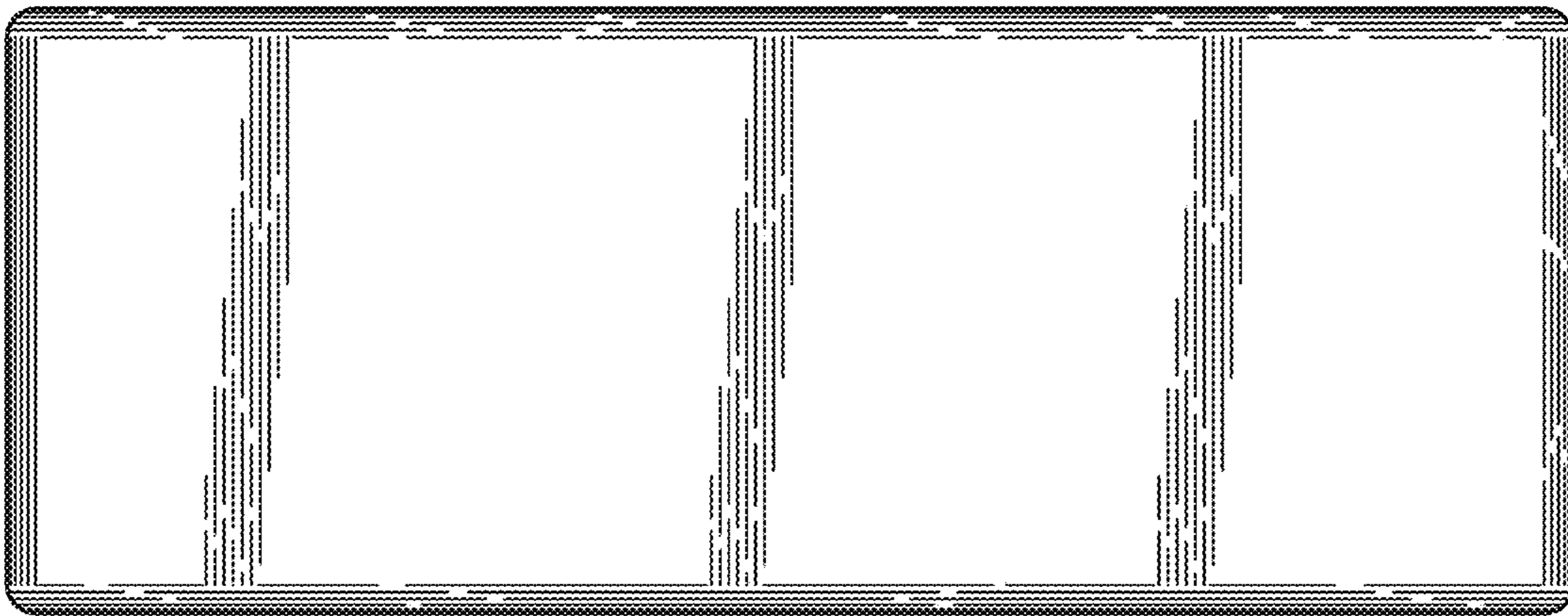


FIG. 4

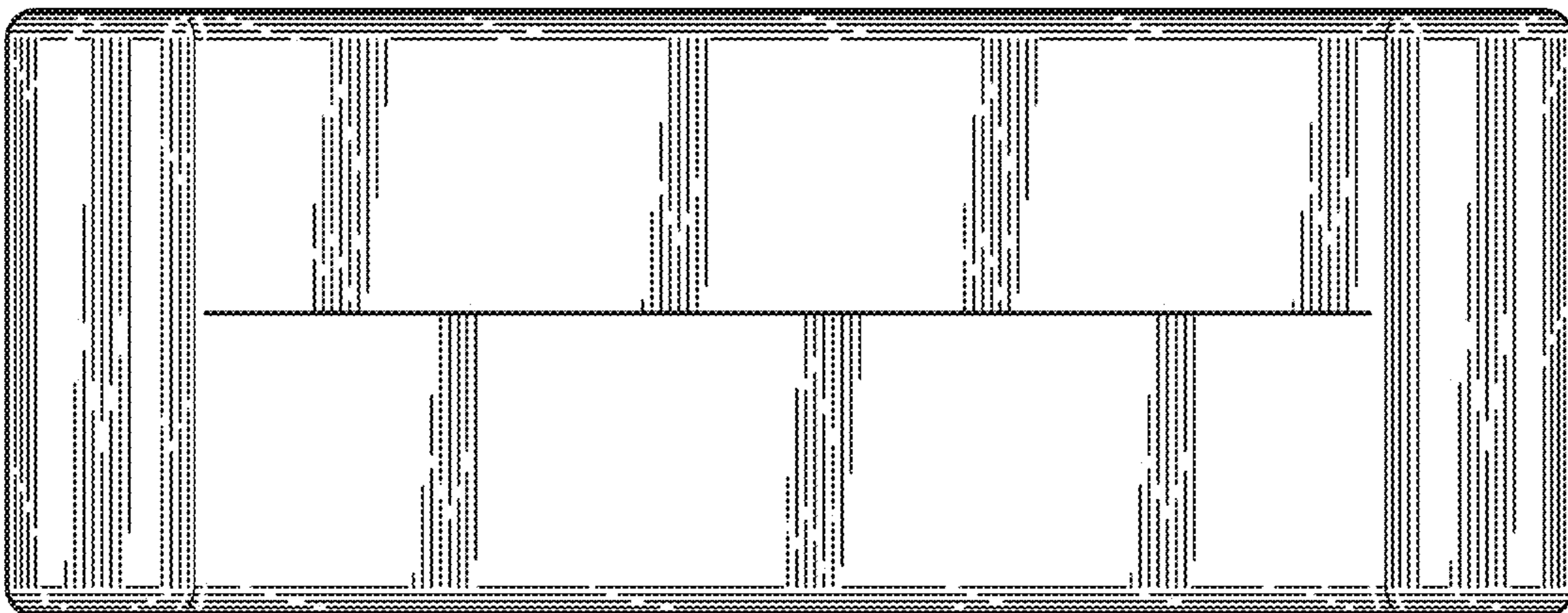


FIG. 5

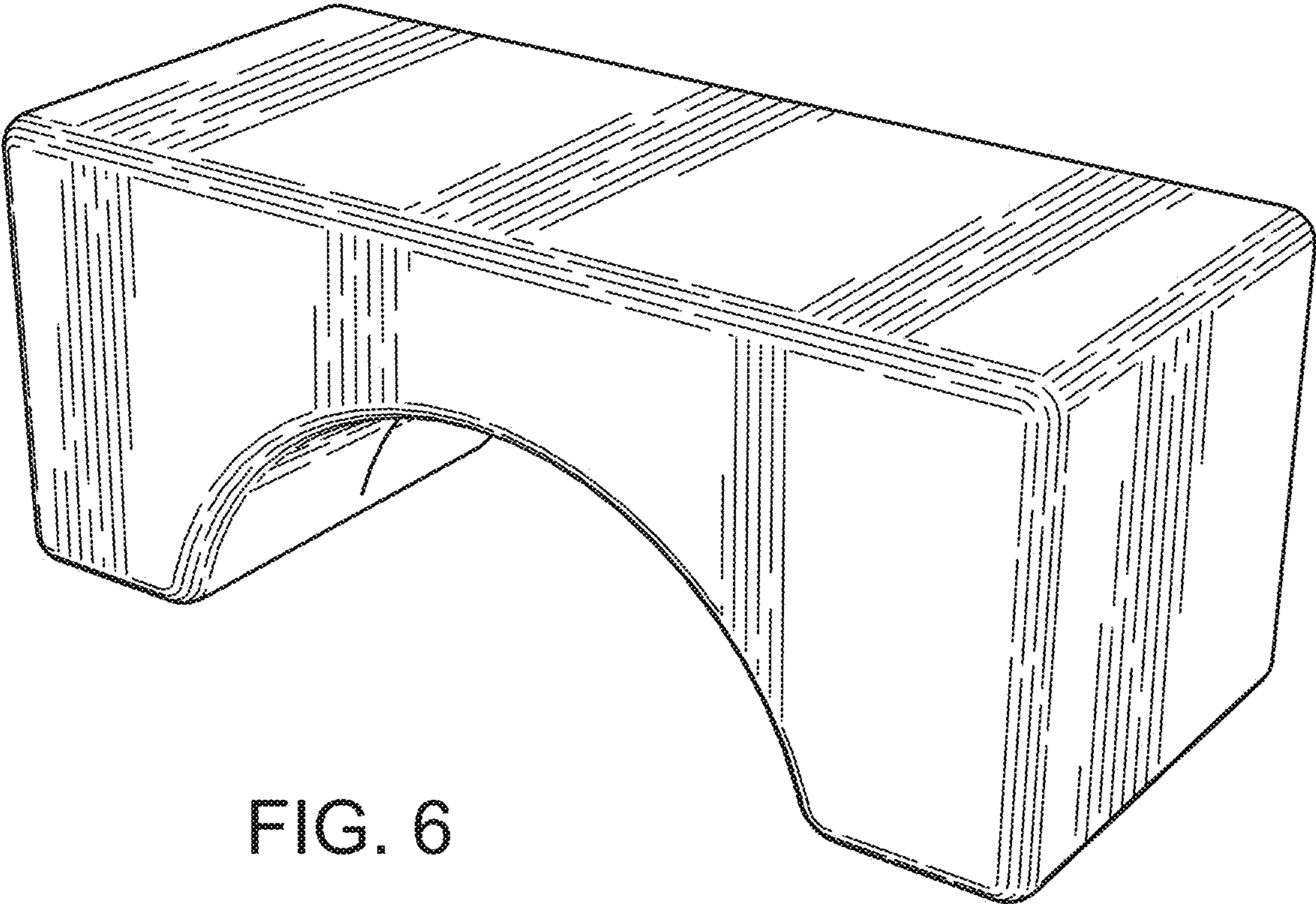


FIG. 6

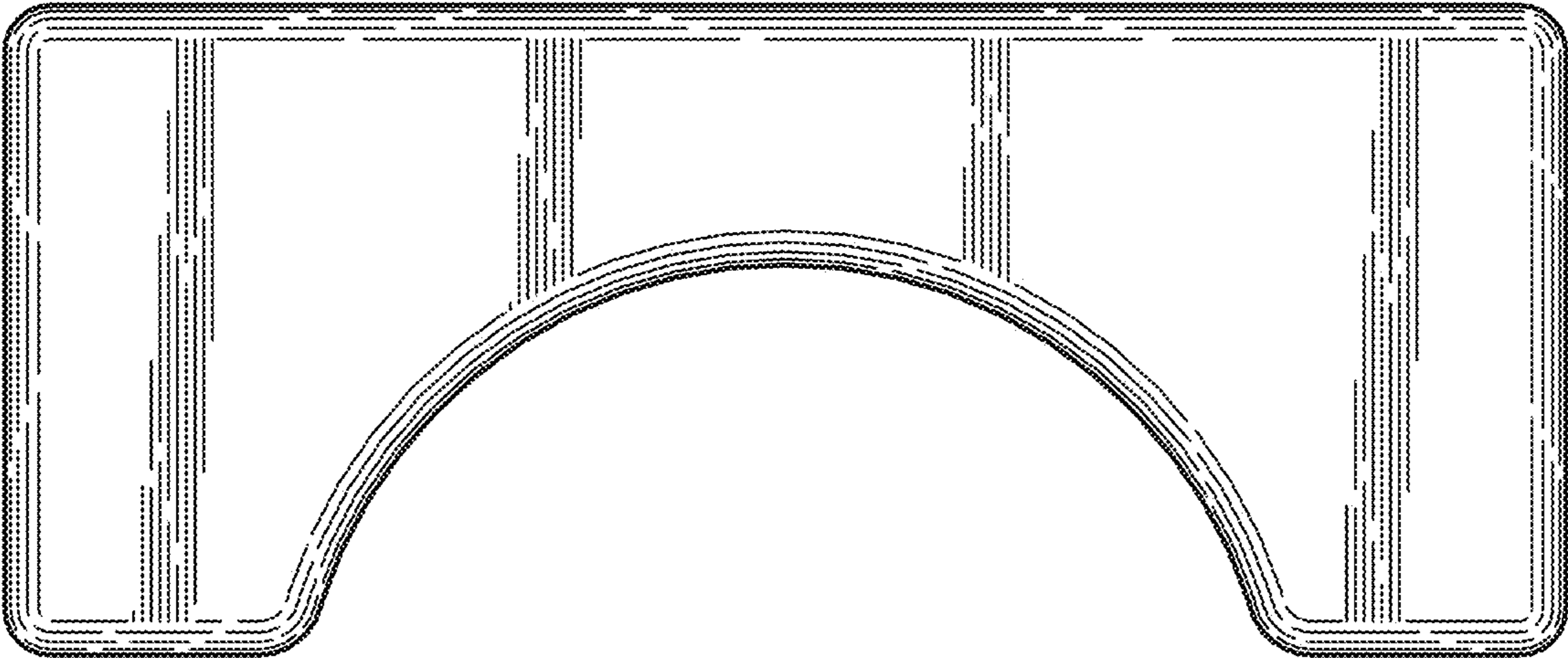


FIG. 7

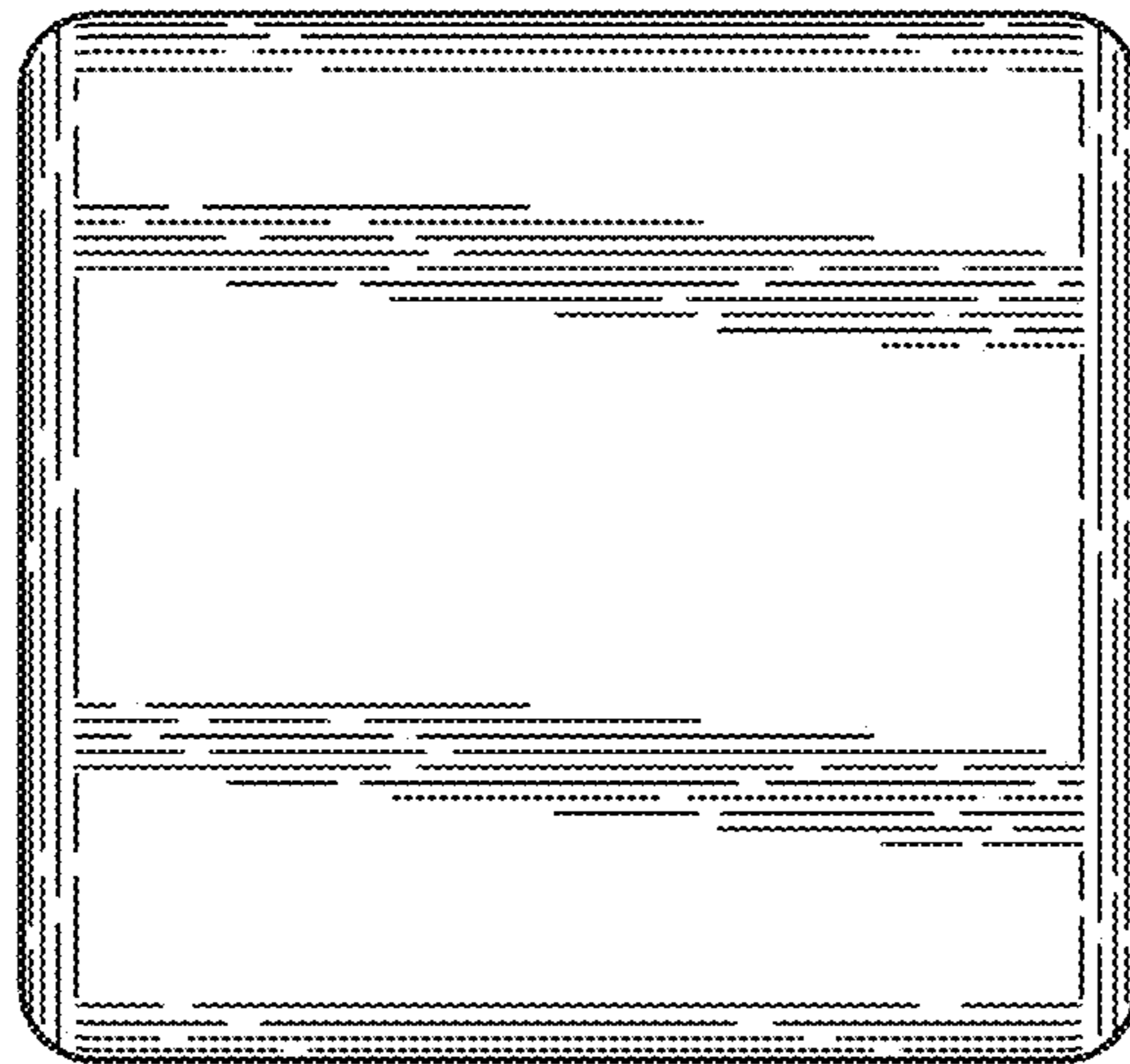


FIG. 8

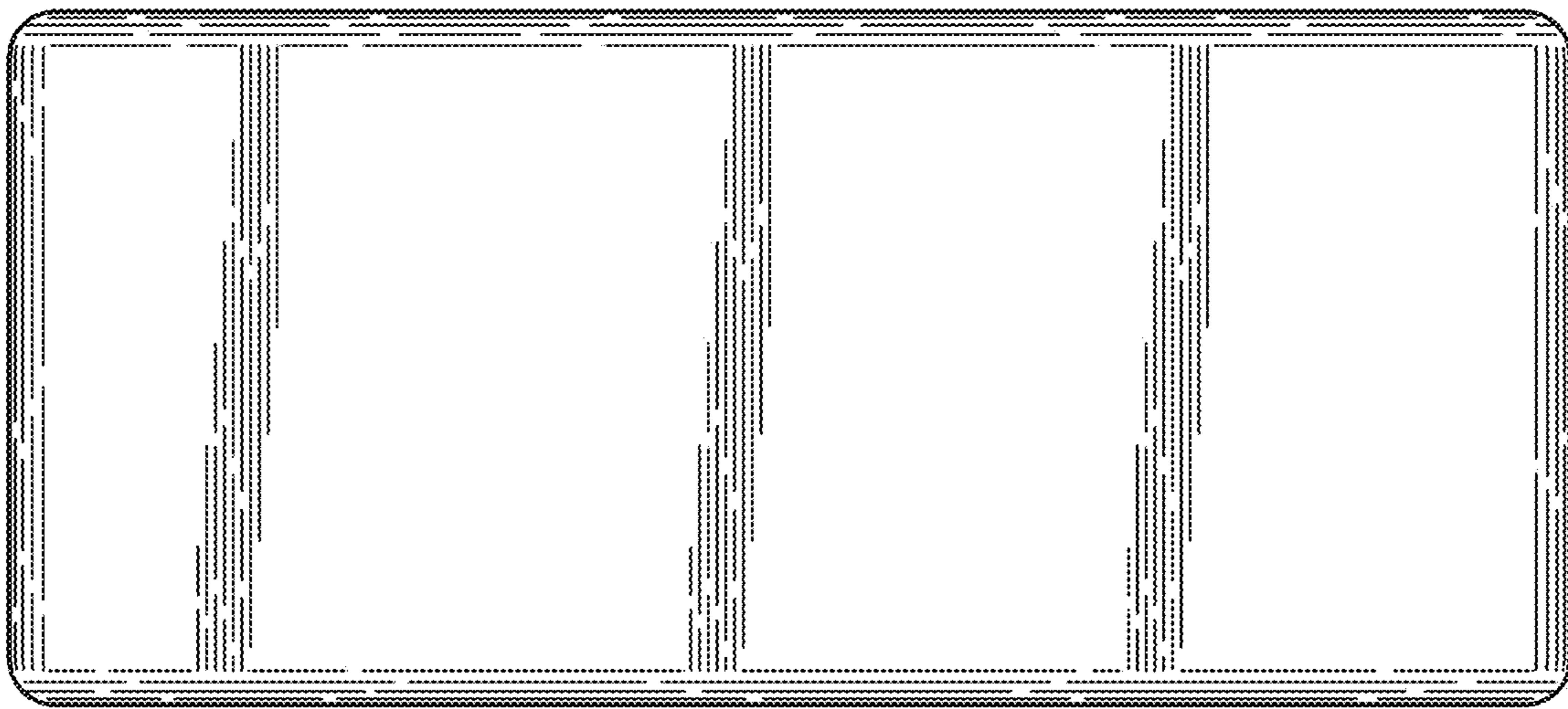


FIG. 9

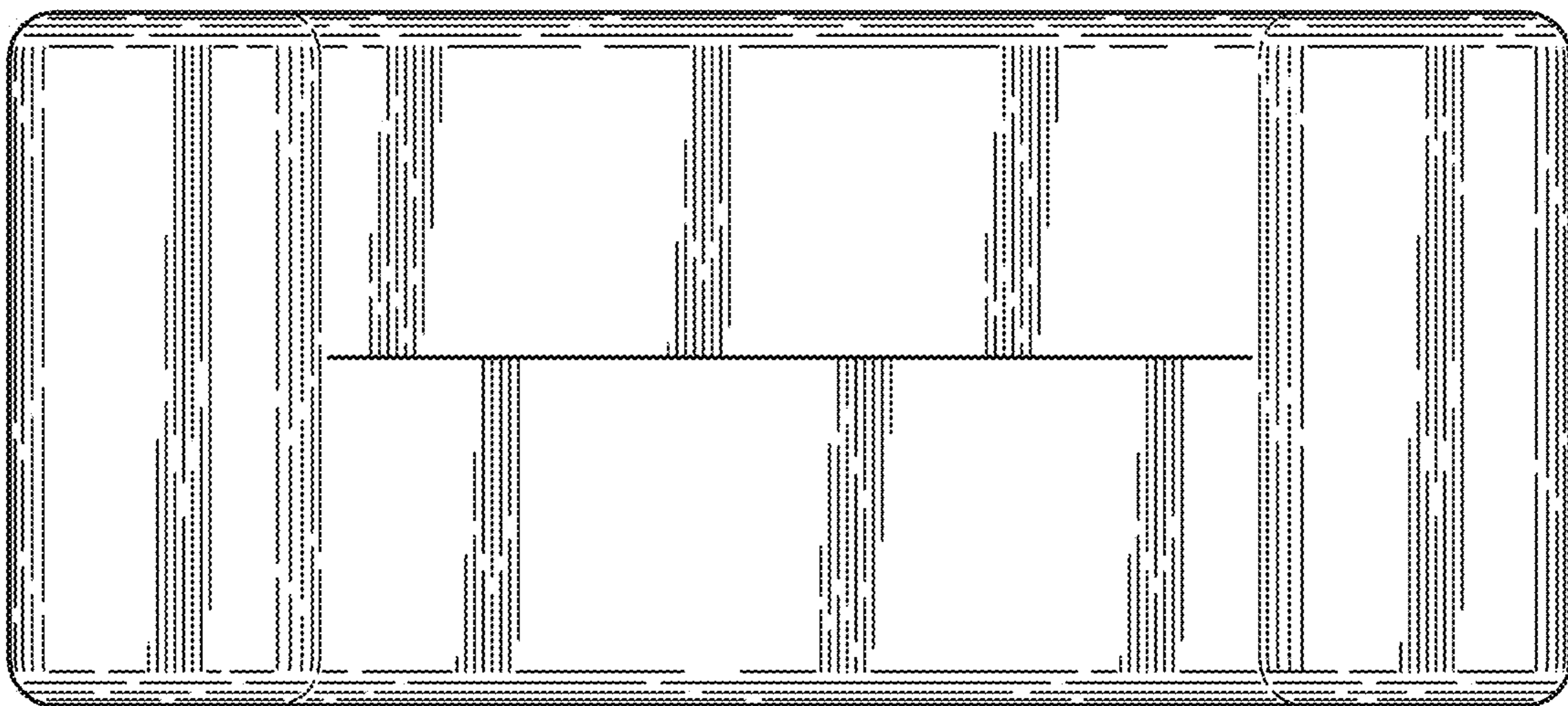


FIG. 10