



US00D964063S

(12) **United States Design Patent**
Amozoc et al.

(10) **Patent No.:** **US D964,063 S**
(45) **Date of Patent:** **** Sep. 20, 2022**

(54) **SEAT WITH ARMS AND LEGS**

(71) Applicant: **Seachrome Corporation**, Long Beach, CA (US)

(72) Inventors: **Juan Carlos Amozoc**, Long Beach, CA (US); **Tania Elizabeth Ayala**, Tujunga, CA (US); **Eric James Barber**, Anaheim, CA (US); **Ray Kenneth Cano**, Los Angeles, CA (US); **Douglas Robert Carmichael**, Huntington Beach, CA (US); **Juan Carlos Lopez Valencia**, Downey, CA (US); **Jose Marquez Ortiz**, El Monte, CA (US); **Daniel Jerzy Sowinski**, Cerritos, CA (US); **Samuel Colavin Longo**, La Canada, CA (US); **Christopher Antonio Pulone**, Diamond Bar, CA (US)

(73) Assignee: **Seachrome Corporation**, Long Beach, CA (US)

(**) Term: **15 Years**

(21) Appl. No.: **29/755,617**

(22) Filed: **Oct. 21, 2020**

(51) **LOC (13) Cl.** **06-01**

(52) **U.S. Cl.**
USPC **D6/362**

(58) **Field of Classification Search**

USPC D6/334, 353, 355, 362, 363, 364, 365, D6/367, 368, 370, 371, 374, 375, 376, D6/379, 380, 716, 716.1, 333; D23/304
CPC .. A47C 1/00; A47C 1/12; A47C 3/121; A47C 3/00; A47C 3/04; A47C 3/045; A47C 3/16; A47C 4/04; A47C 4/18; A47C 7/18; A47C 7/24; A47C 7/36; A47C 7/56; A47C 15/00

See application file for complete search history.

(56) **References Cited**

U.S. PATENT DOCUMENTS

1,752,208	A *	3/1930	Shelton	A47C 7/58 297/232
D448,189	S *	9/2001	Jahn	D6/374
D494,767	S *	8/2004	Self	D6/362
D495,506	S *	9/2004	Self	D6/362
D497,274	S *	10/2004	Hogle	D6/716.1
D510,487	S *	10/2005	Self	D6/362
D536,889	S *	2/2007	Self	D6/362
D602,703	S *	10/2009	Luxton	D6/362
D637,838	S *	5/2011	Piretti	D6/379
D784,034	S *	4/2017	Longo	D6/370
9,844,272	B1	12/2017	Vetter	

(Continued)

Primary Examiner — R. Johnson

(74) *Attorney, Agent, or Firm* — Fish IP Law, LLP

(57) **CLAIM**

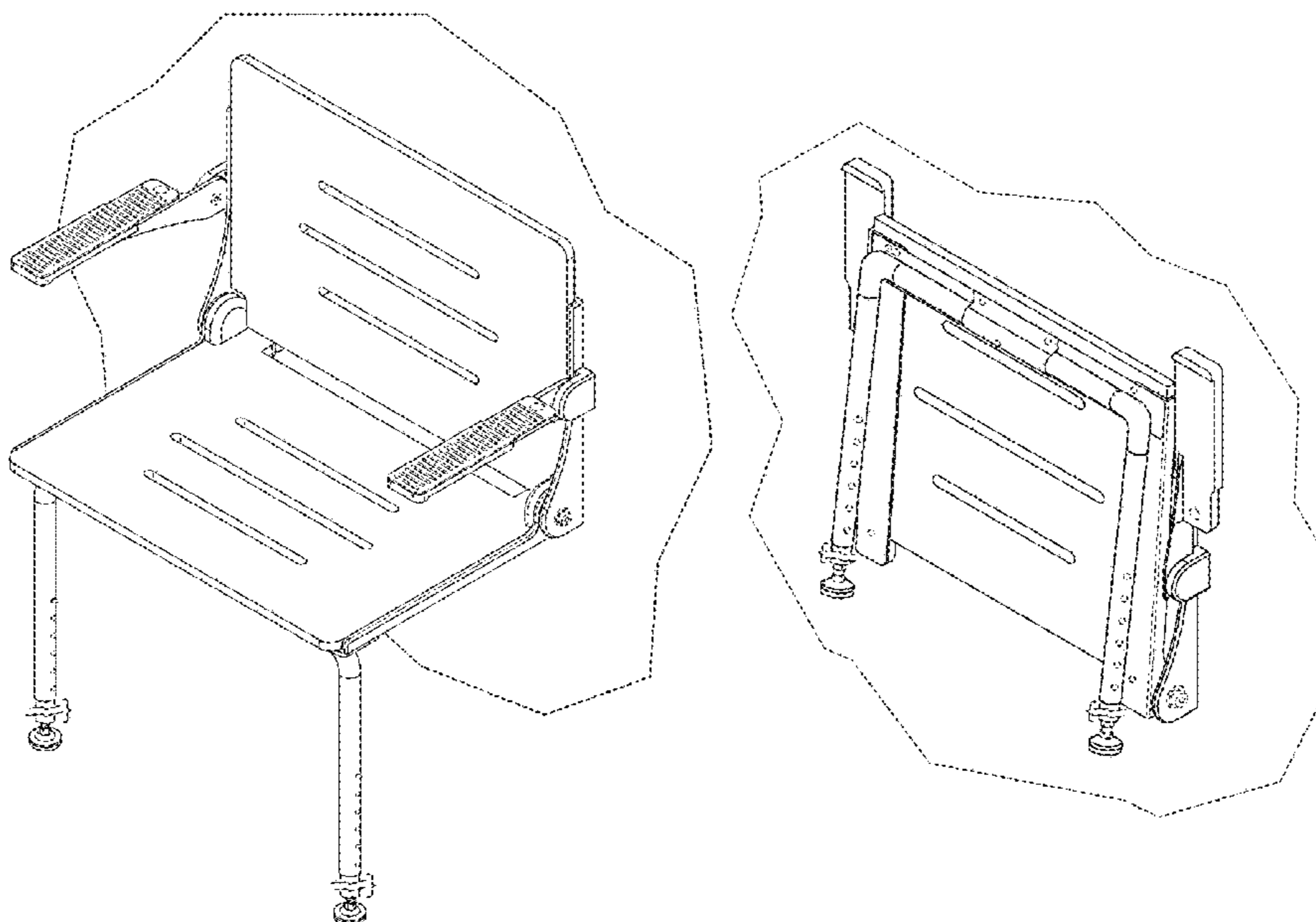
The ornamental design for a seat with arms and legs, as shown and described.

DESCRIPTION

FIG. 1 is a top, front, right side perspective view of a seat with arms and legs of the new design;
FIG. 2 is a top, front, right side perspective view thereof, with the seat bottom and arms shown in a folded up position;
FIG. 3 is front elevation view of thereof;
FIG. 4 is a rear elevation view thereof;
FIG. 5 is a right side elevation view thereof;
FIG. 6 is a left side elevation view thereof;
FIG. 7 is a top plan view thereof; and,
FIG. 8 is a bottom plan view thereof.

The broken lines are shown for illustrative purposes and form no part of the claimed design. The seat with arms and legs is shown with a symbolic break in its length. The appearance of any portion of the article between the break lines forms no part of the claimed design.

1 Claim, 4 Drawing Sheets



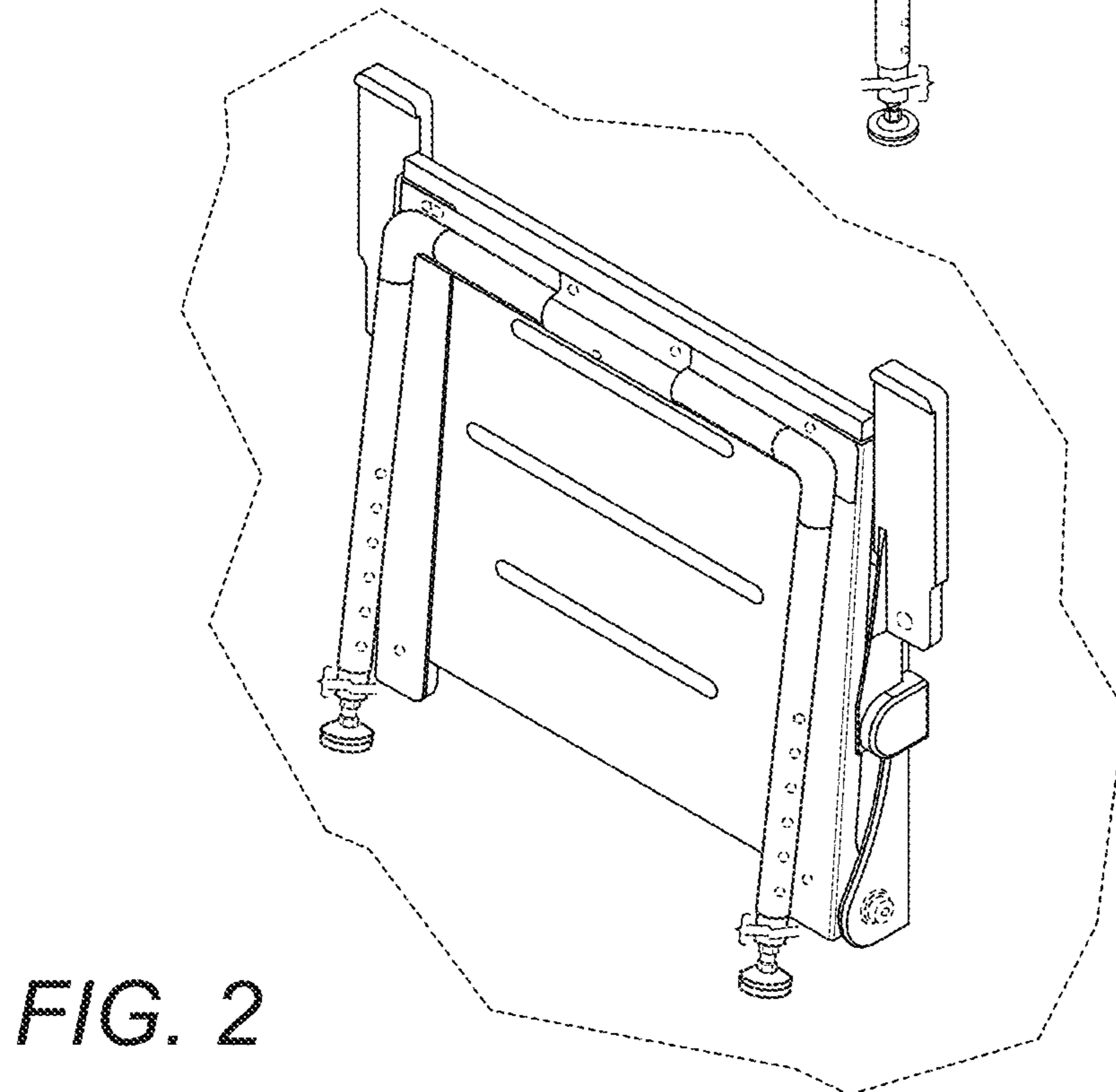
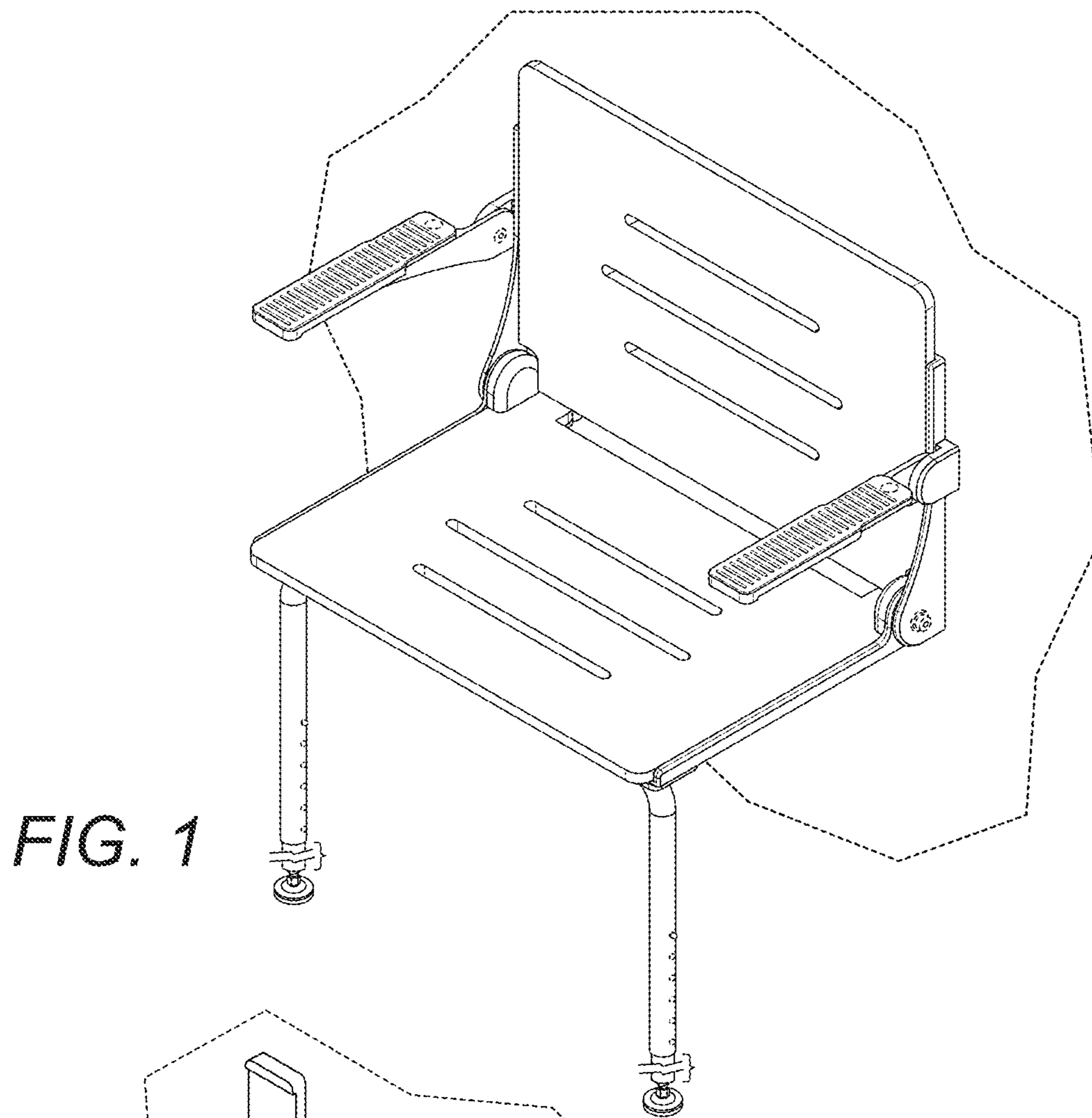
(56)

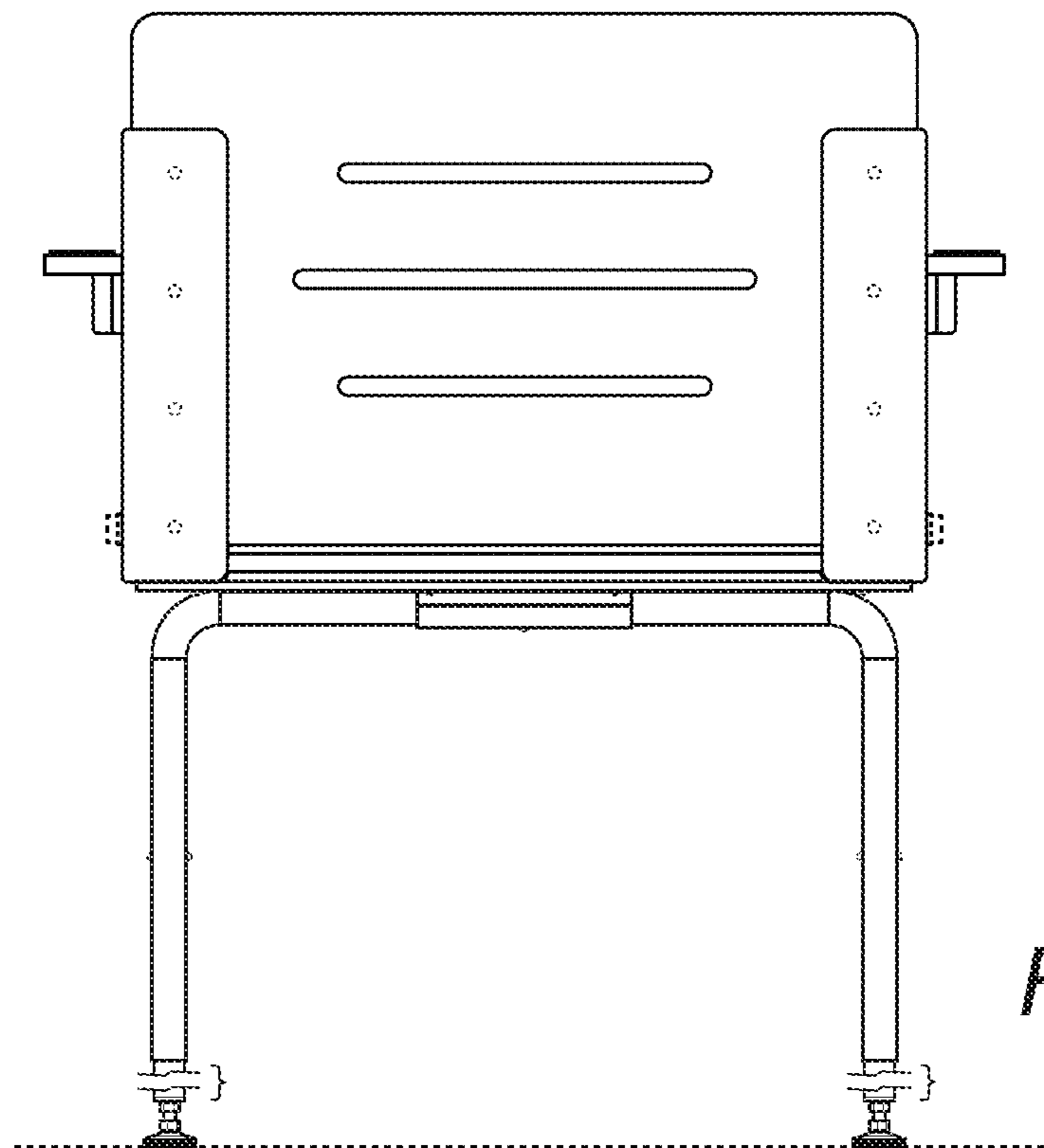
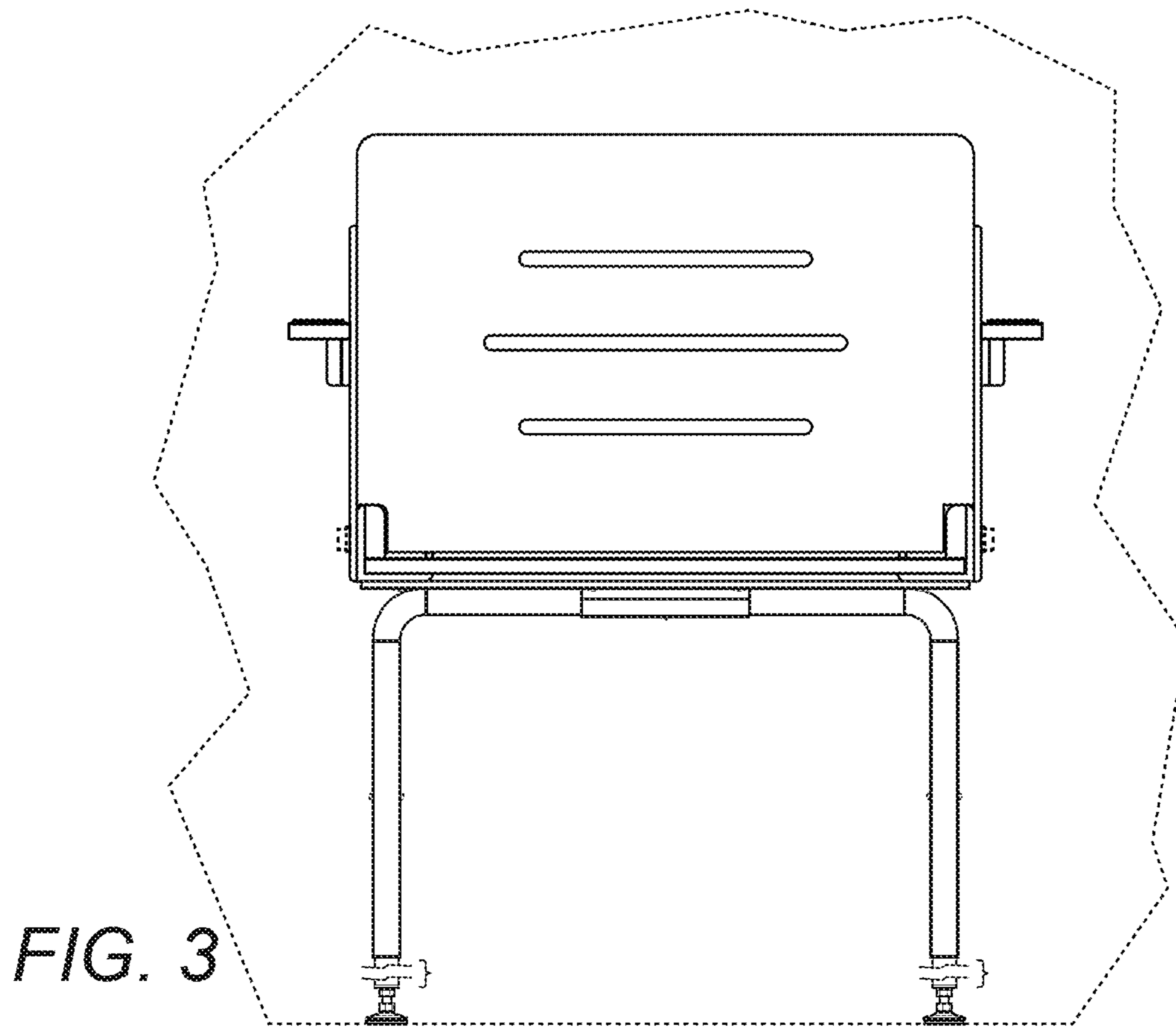
References Cited

U.S. PATENT DOCUMENTS

D815,445 S * 4/2018 Longo D6/362
D815,848 S * 4/2018 Longo D6/362
2011/0175412 A1* 7/2011 Piretti A47C 3/045
297/239

* cited by examiner





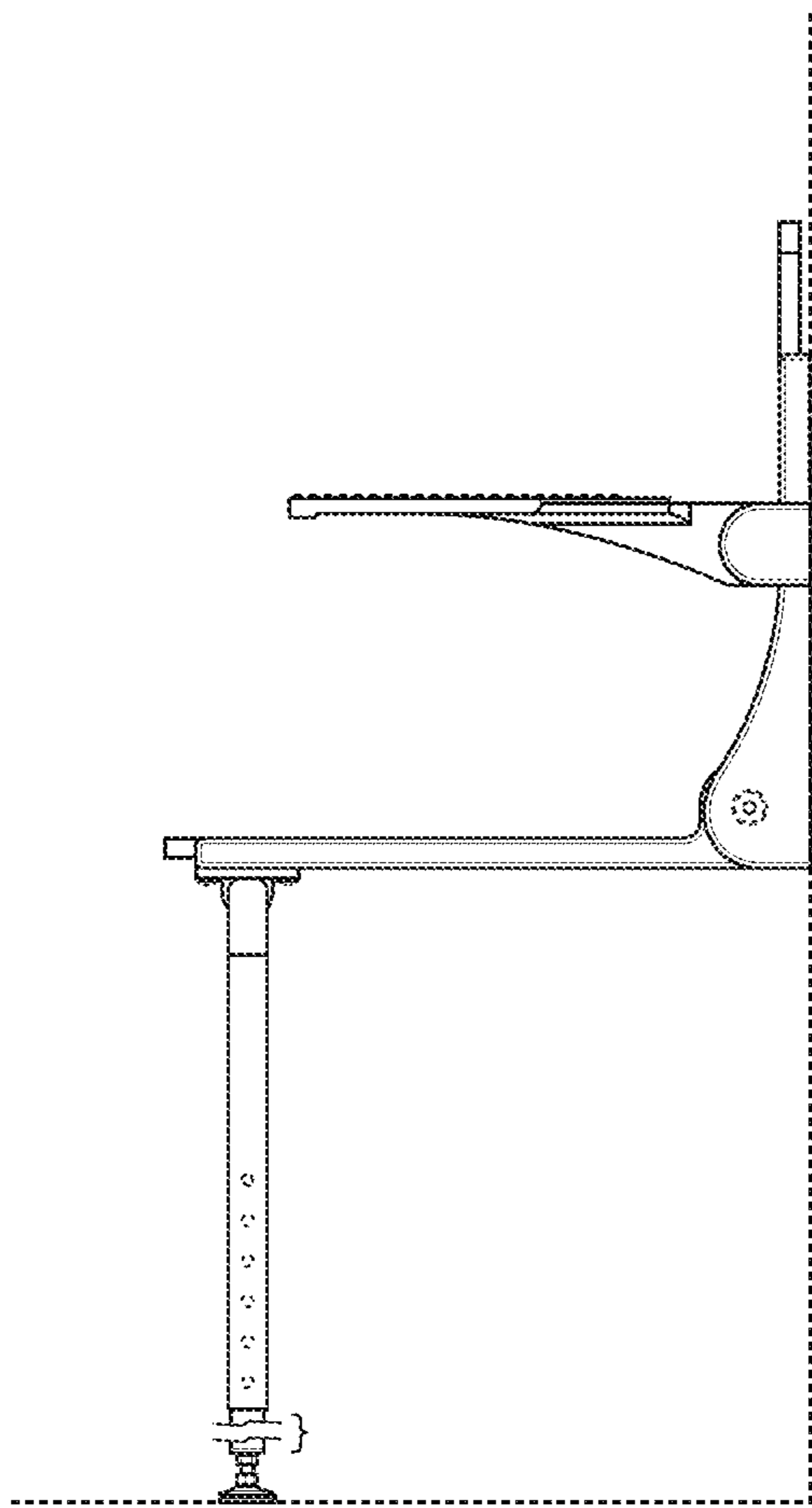


FIG. 5

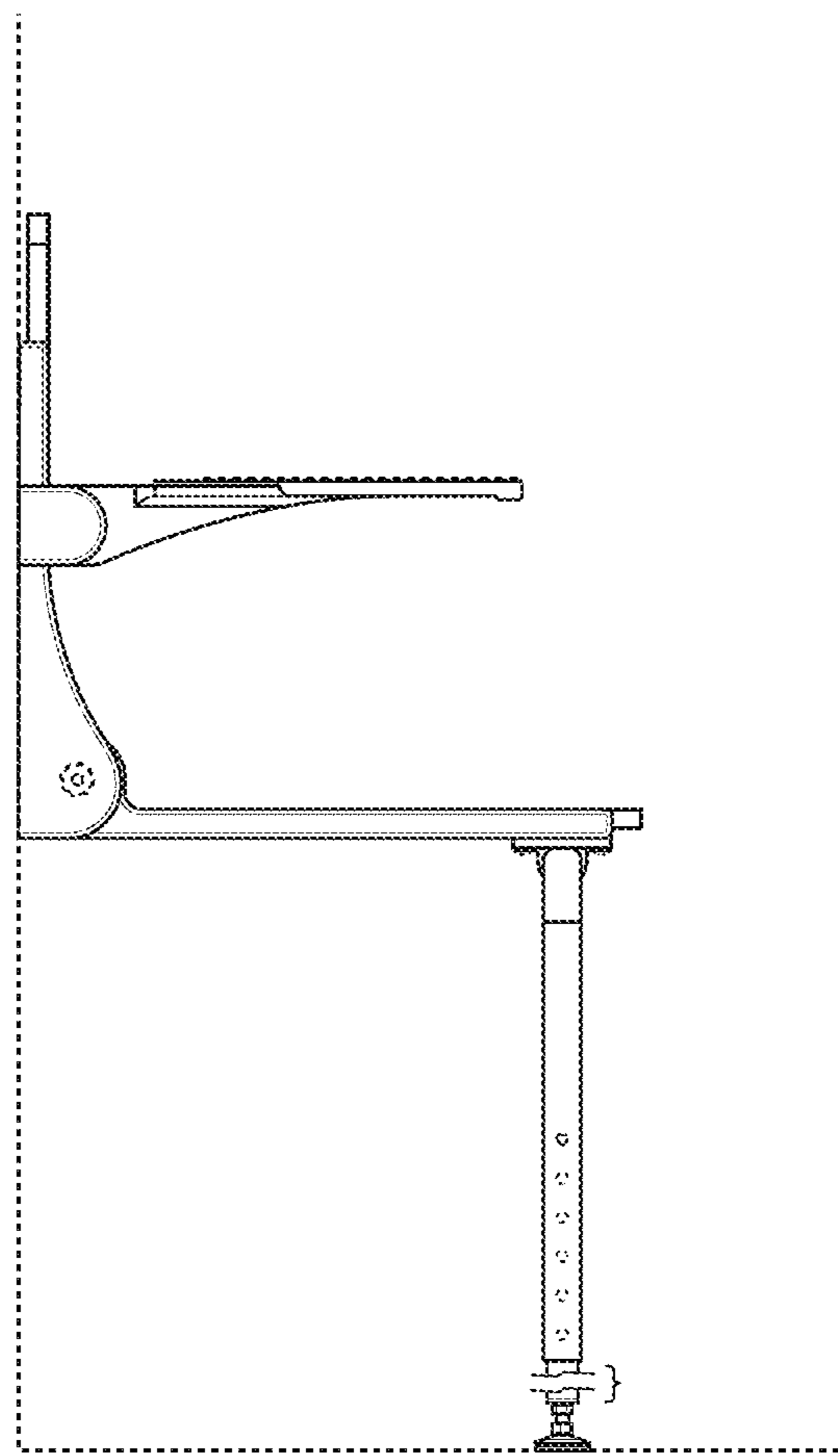


FIG. 6

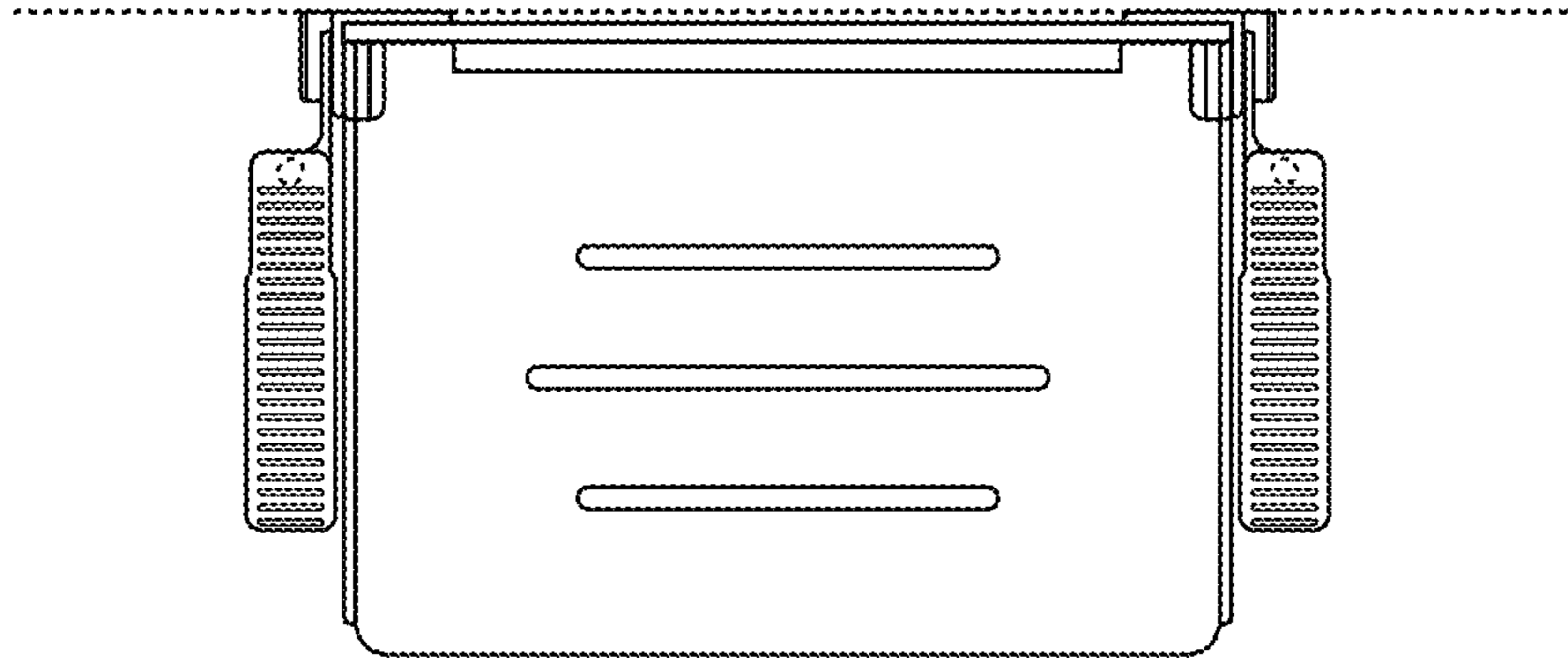


FIG. 7

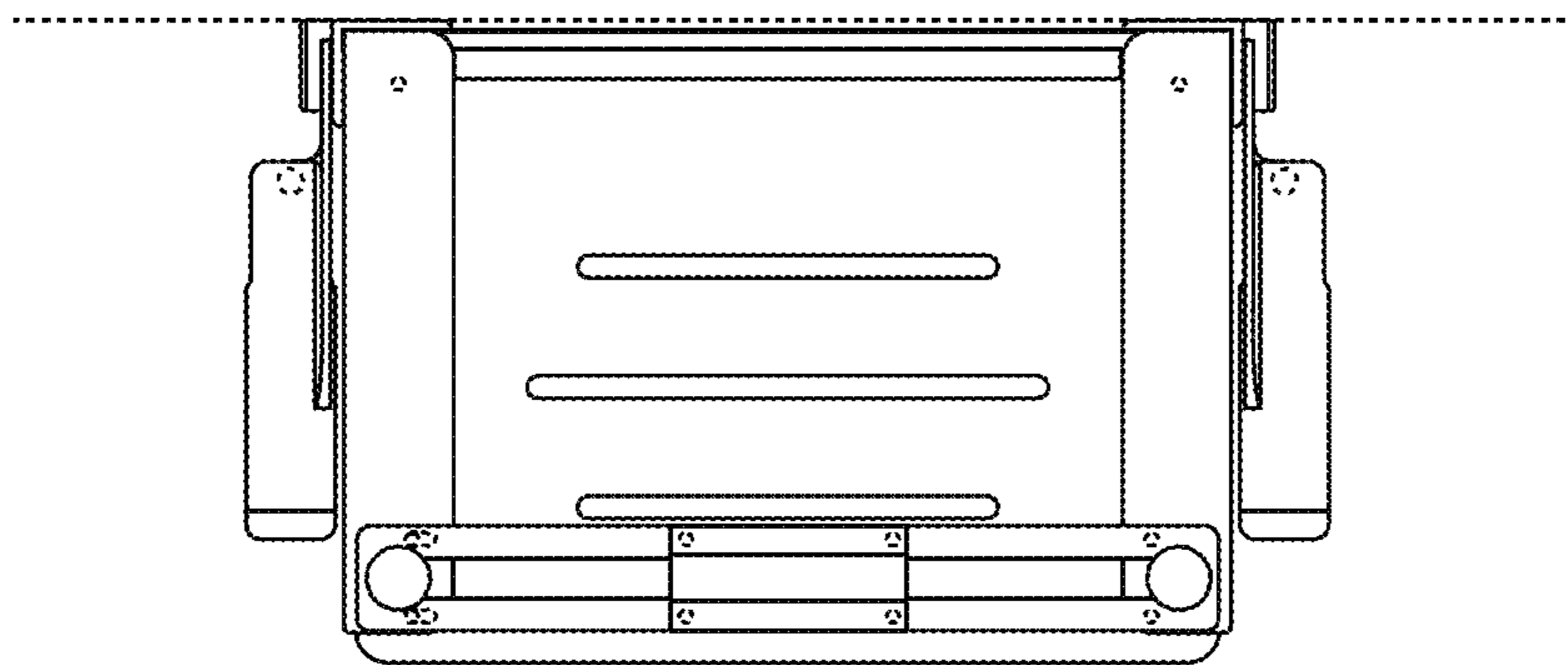


FIG. 8