



US00D964058S

(12) **United States Design Patent** (10) **Patent No.:** **US D964,058 S**
Levin (45) **Date of Patent:** **** Sep. 20, 2022**

(54) **BENCH**

(71) Applicant: **Eric Martin Levin**, Severna Park, MD (US)

(72) Inventor: **Eric Martin Levin**, Severna Park, MD (US)

(**) Term: **15 Years**

(21) Appl. No.: **29/728,085**

(22) Filed: **Mar. 16, 2020**

(51) **LOC (13) Cl.** **06-01**

(52) **U.S. Cl.**

USPC **D6/356**; D6/349; D6/716.1

(58) **Field of Classification Search**

USPC D6/334, 335, 344, 348, 349–356, D6/364–365, 691–691.9, 692–692.6, 694, D6/698, 700, 707.2, 708, 708.17, 708.25, D6/716–716.1, 716.11; D12/317

CPC ... A47C 12/00; A47C 13/00; A47C 16/02–04; A47K 17/02; A47K 17/028

See application file for complete search history.

(56) **References Cited**

U.S. PATENT DOCUMENTS

D121,266 S	7/1940	Archer
D135,333 S	3/1943	Brown
2,792,053 A	5/1957	Kursman
3,215,468 A	11/1965	Swenson
3,347,572 A	10/1967	Pfaff, Jr.
3,741,595 A	6/1973	Horgan, Jr.
D227,833 S	7/1973	Olson
D274,581 S	6/1984	Gallock
4,463,632 A	8/1984	Parke
4,926,783 A	5/1990	Lathers
D312,004 S	11/1990	Smith

(Continued)

OTHER PUBLICATIONS

Todd Gloucester Series | Captain Boat Helm Seat. [online] Retrieved May 4, 2022 from URL: <https://www.savvyboater.com/todd-gloucester-series-captains-boat-seat/> (Year: 2022).*

(Continued)

Primary Examiner — Vy N Koenig

(74) *Attorney, Agent, or Firm* — Garcia-Zamor Intellectual Property Law, LLC; Ruy Garcia-Zamor

(57) **CLAIM**

The ornamental design for a bench, as shown and described.

DESCRIPTION

FIG. 1 is a front, right, top perspective view of a bench according to the present invention;

FIG. 2 is a rear, left, top perspective view of the bench of FIG. 1;

FIG. 3 is a front elevational view of the bench of FIG. 1;

FIG. 4 is a rear elevational view of the bench of FIG. 1;

FIG. 5 is a left side elevational view of the bench of FIG. 1;

FIG. 6 is a right side elevational view of the bench of FIG. 1;

FIG. 7 is a top plan view of the bench of FIG. 1;

FIG. 8 is a bottom plan view of the bench of FIG. 1;

FIG. 9 is a front, right, bottom perspective view of the bench of FIG. 1;

FIG. 10 is a front, left, bottom perspective view of the bench of FIG. 1;

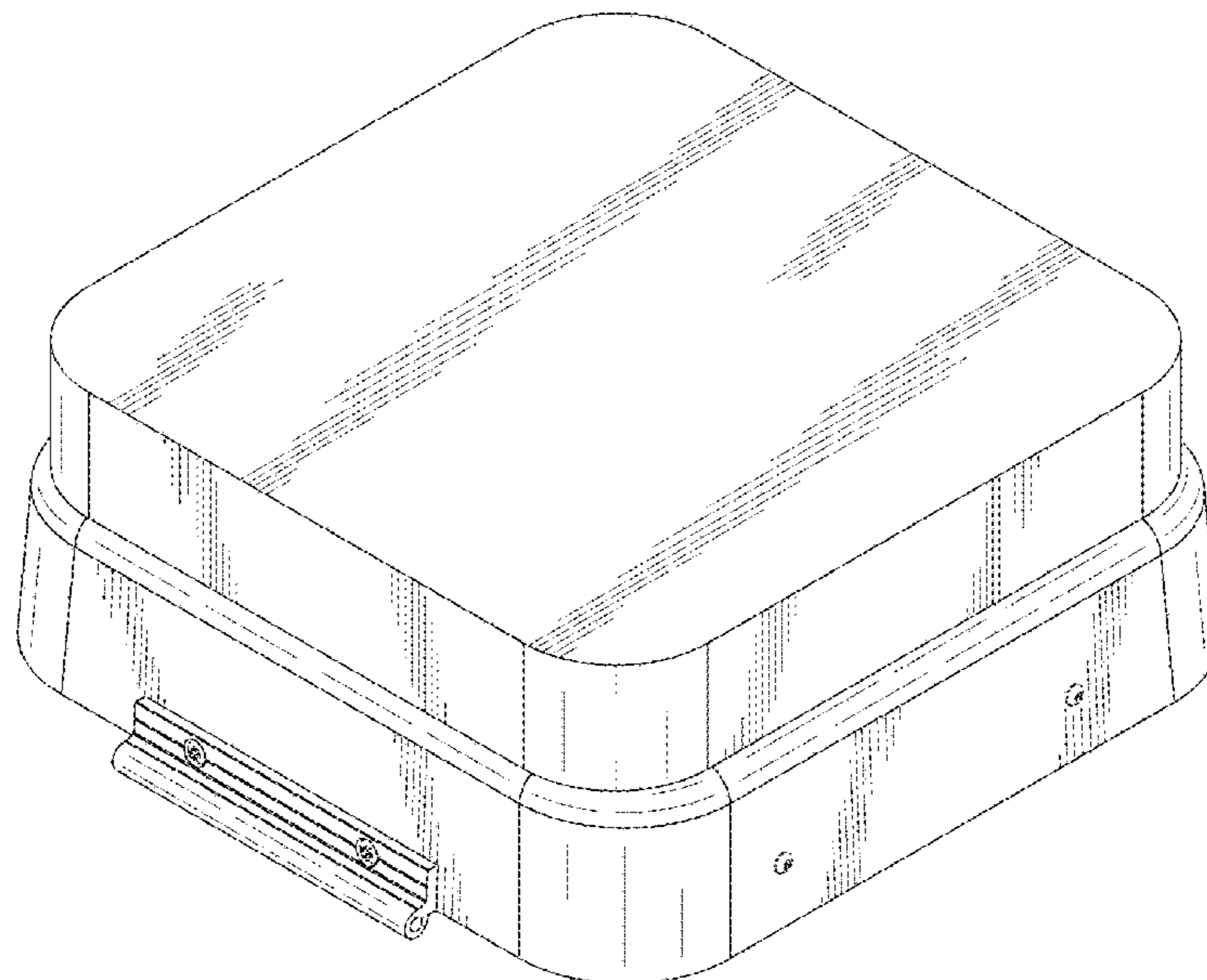
FIG. 11 is a rear, left, bottom perspective view of the bench of FIG. 1;

FIG. 12 is a rear, right, bottom perspective view of the bench of FIG. 1; and,

FIG. 13 is a second top, right, front perspective view of the bench of FIG. 1.

The broken lines in FIGS. 1-13 represent environment only and do not constitute part of the claimed design.

1 Claim, 11 Drawing Sheets



(56)

References Cited

U.S. PATENT DOCUMENTS

5,020,854 A 6/1991 Powell
 5,052,076 A 10/1991 Spaeth
 5,058,949 A 10/1991 Von Hoffman
 5,171,063 A 12/1992 Stidd
 5,301,570 A 4/1994 Li
 D377,574 S 1/1997 Mades
 5,688,023 A 11/1997 Blocker, Jr.
 5,688,024 A 11/1997 Arizpe-Gilmore
 5,697,318 A 12/1997 Kobayashi
 5,904,398 A 5/1999 Farricielli
 D411,381 S 6/1999 Greaves
 6,135,476 A 10/2000 Dickie
 6,283,059 B1 9/2001 Scully, Jr.
 6,321,912 B1 11/2001 Lippert
 6,322,145 B1 11/2001 Melgarejo
 6,435,614 B1 * 8/2002 Gollahon A01K 97/10
 297/440.16
 6,513,876 B1 2/2003 Agler
 6,527,341 B1 3/2003 Martin
 D502,816 S * 3/2005 Bellington D6/356
 6,880,482 B2 4/2005 Huse
 6,981,741 B2 1/2006 Sirjoo
 6,983,992 B2 1/2006 Oomori
 D516,346 S * 3/2006 Cobb D6/601
 7,066,548 B2 6/2006 Butler
 7,107,927 B2 9/2006 Hopper
 7,125,079 B1 10/2006 Lee
 7,137,351 B2 11/2006 Picou
 7,213,692 B2 5/2007 Wang
 D569,118 S 5/2008 Lin
 7,367,616 B2 5/2008 Summerford
 D673,786 S 1/2013 Szymaski
 D675,837 S 2/2013 Szymaski
 D675,838 S 2/2013 Szymaski
 D676,681 S 2/2013 Szymaski
 8,453,379 B1 * 6/2013 Kumar A47C 7/626
 47/86
 8,960,799 B2 2/2015 Yoon
 D725,925 S * 4/2015 Kaye D6/349
 D727,046 S 4/2015 Alexander

D727,047 S 4/2015 Alexander
 9,021,975 B1 5/2015 Fodor
 D736,531 S * 8/2015 Lan D6/349
 9,138,059 B2 9/2015 Kwok
 D740,579 S 10/2015 Begin
 D793,834 S * 8/2017 Gupta D8/71
 9,955,790 B2 5/2018 Tang
 10,040,378 B2 8/2018 Hansen
 10,065,711 B2 9/2018 Fuller, IV
 10,182,953 B2 1/2019 Tsuber
 D848,168 S * 5/2019 Levin D6/356
 D854,841 S * 7/2019 Levin D6/356
 D854,842 S * 7/2019 Levin D6/356
 10,913,517 B1 * 2/2021 Levin F16B 12/40
 D914,379 S * 3/2021 Levin D6/356
 D914,380 S * 3/2021 Levin D6/356
 D935,805 S * 11/2021 Zhou D6/601
 11,234,526 B1 * 2/2022 Levin A47C 7/541
 D946,335 S * 3/2022 Samikkannu D6/349
 2004/0184895 A1 9/2004 Liao
 2005/0179288 A1 8/2005 Lizaso
 2006/0033375 A1 2/2006 Wu
 2006/0202536 A1 9/2006 Luchetti
 2008/0035047 A1 2/2008 McDonough
 2009/0146477 A1 6/2009 Yamada
 2010/0037814 A1 2/2010 Sahr
 2010/0102613 A1 4/2010 Labuwy
 2012/0155949 A1 6/2012 Chang
 2013/0093232 A1 4/2013 Lin
 2015/0097405 A1 4/2015 Schukalski
 2015/0274263 A1 10/2015 Nutz
 2015/0313365 A1 11/2015 Thomas
 2016/0262543 A1 9/2016 Currie
 2019/0200766 A1 * 7/2019 Huang A47C 9/027
 2019/0200767 A1 * 7/2019 Huang B25H 5/00

OTHER PUBLICATIONS

Create More Seating Aboard Your Boat. [online] Published Nov. 21, 2019. Retrieved from URL: <https://www.sportfishingmag.com/create-more-seating-aboard-your-sport-fishing-boat/> (Year: 2019).*

* cited by examiner

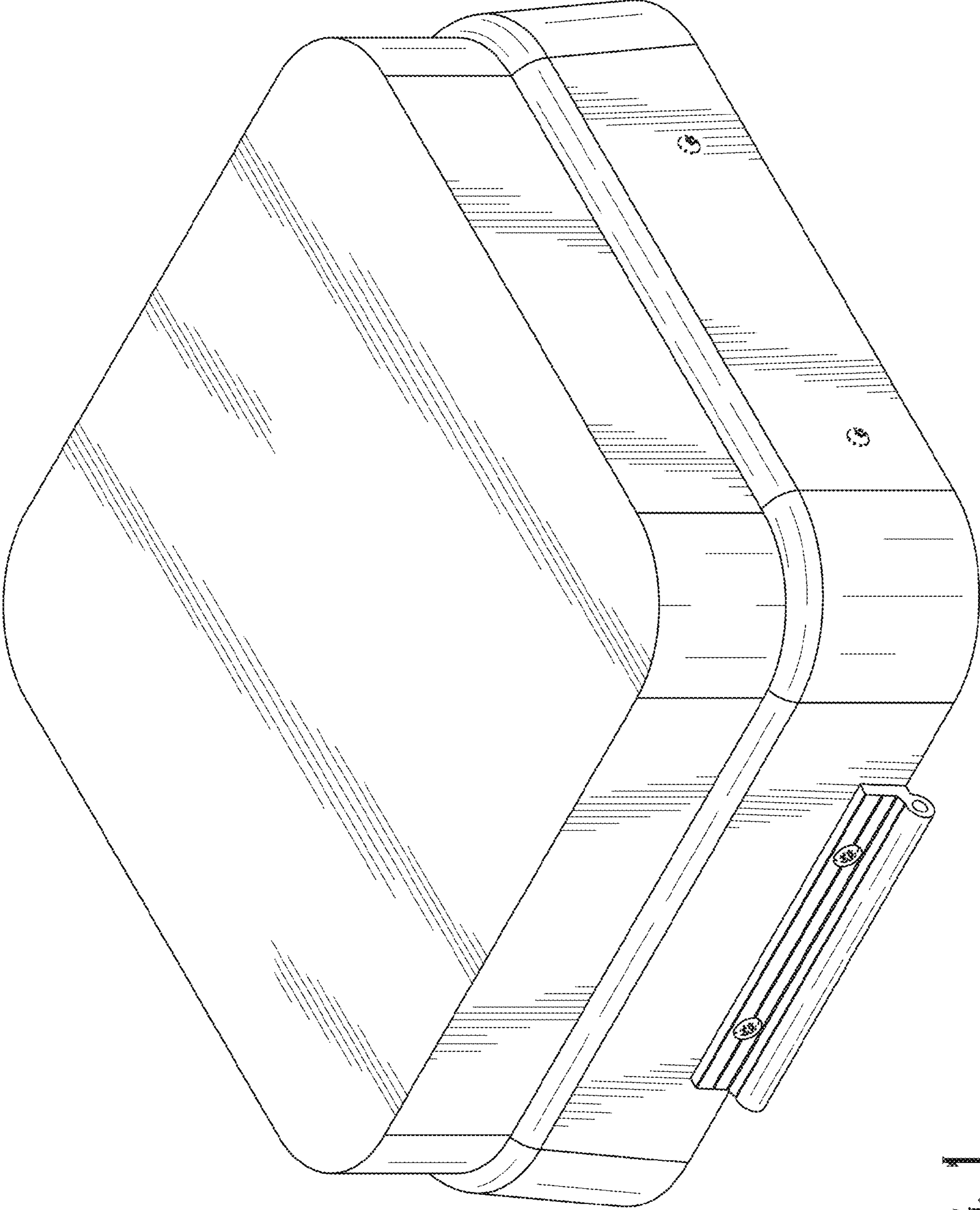


FIG. 1

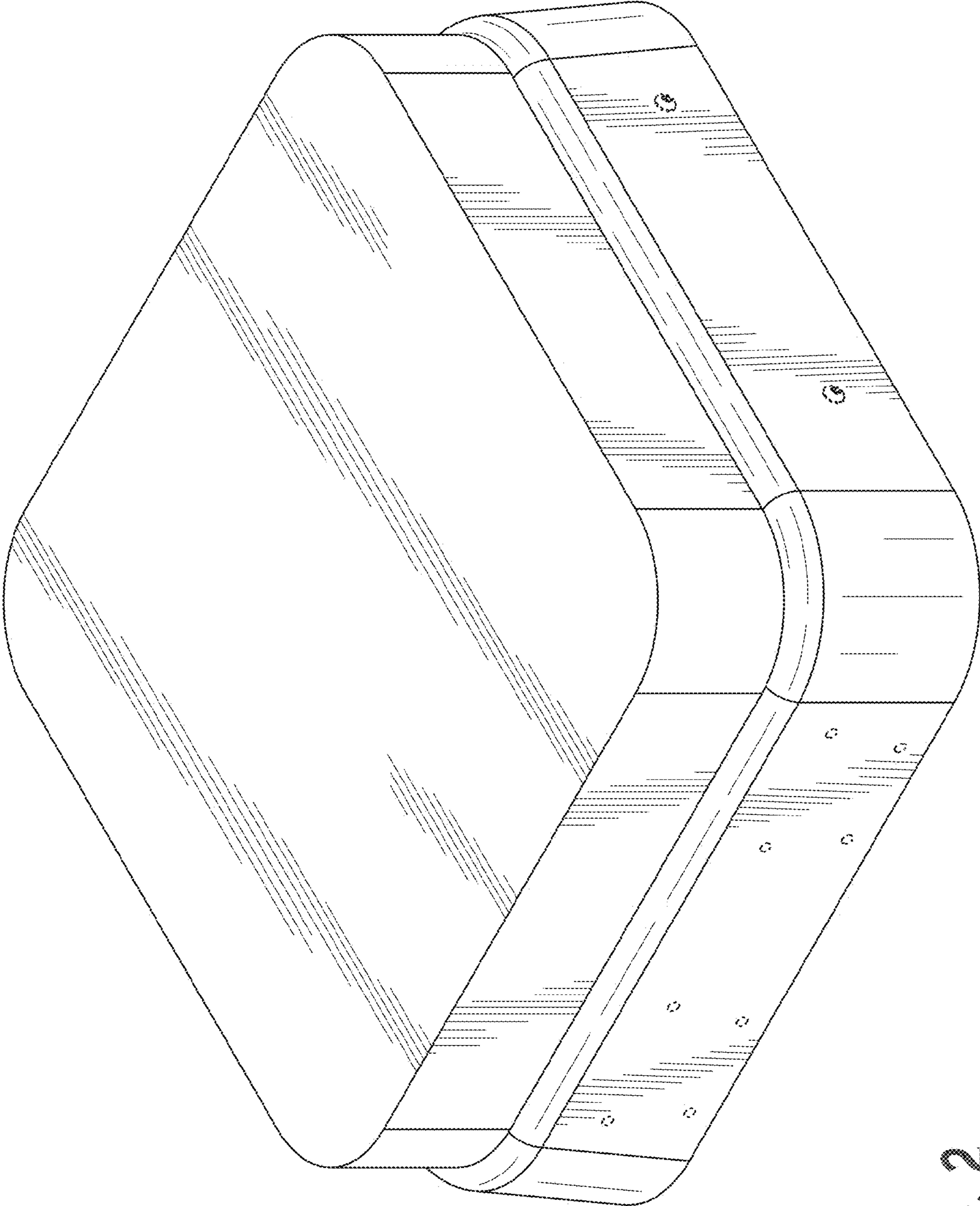


FIG. 2

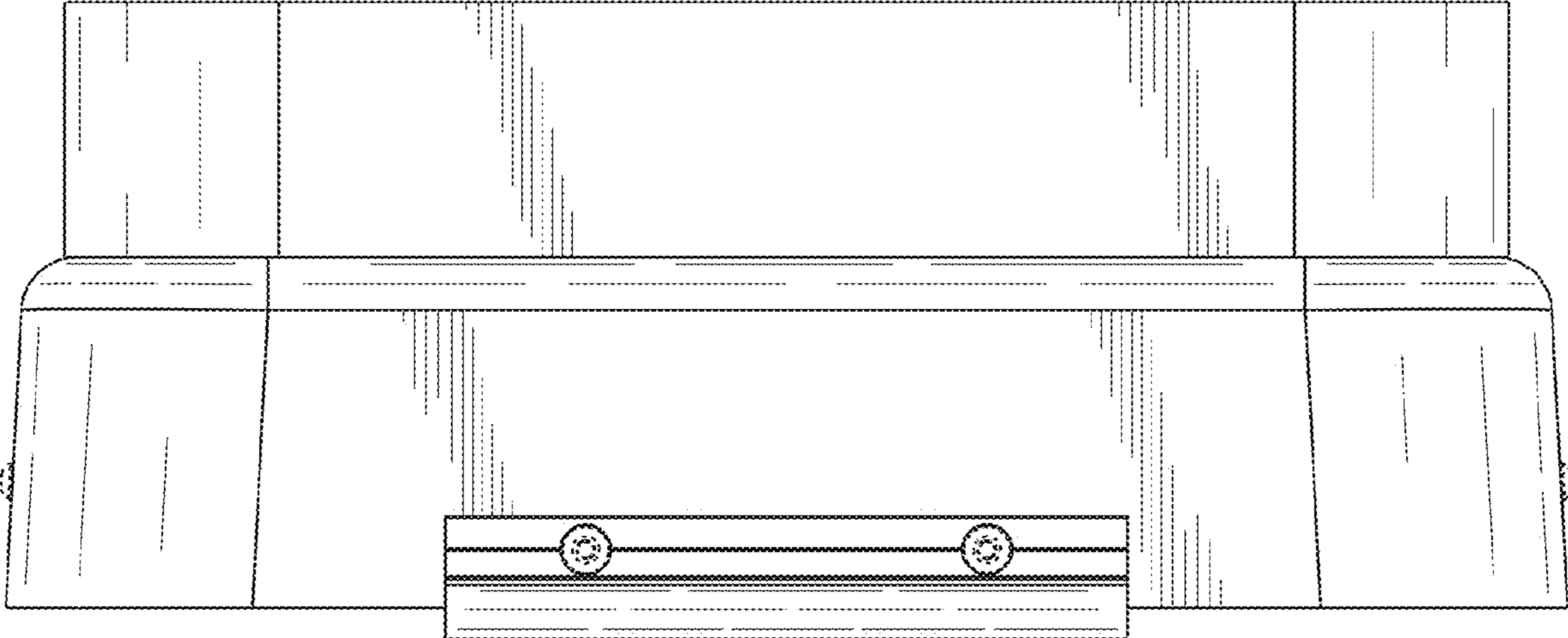


FIG. 3

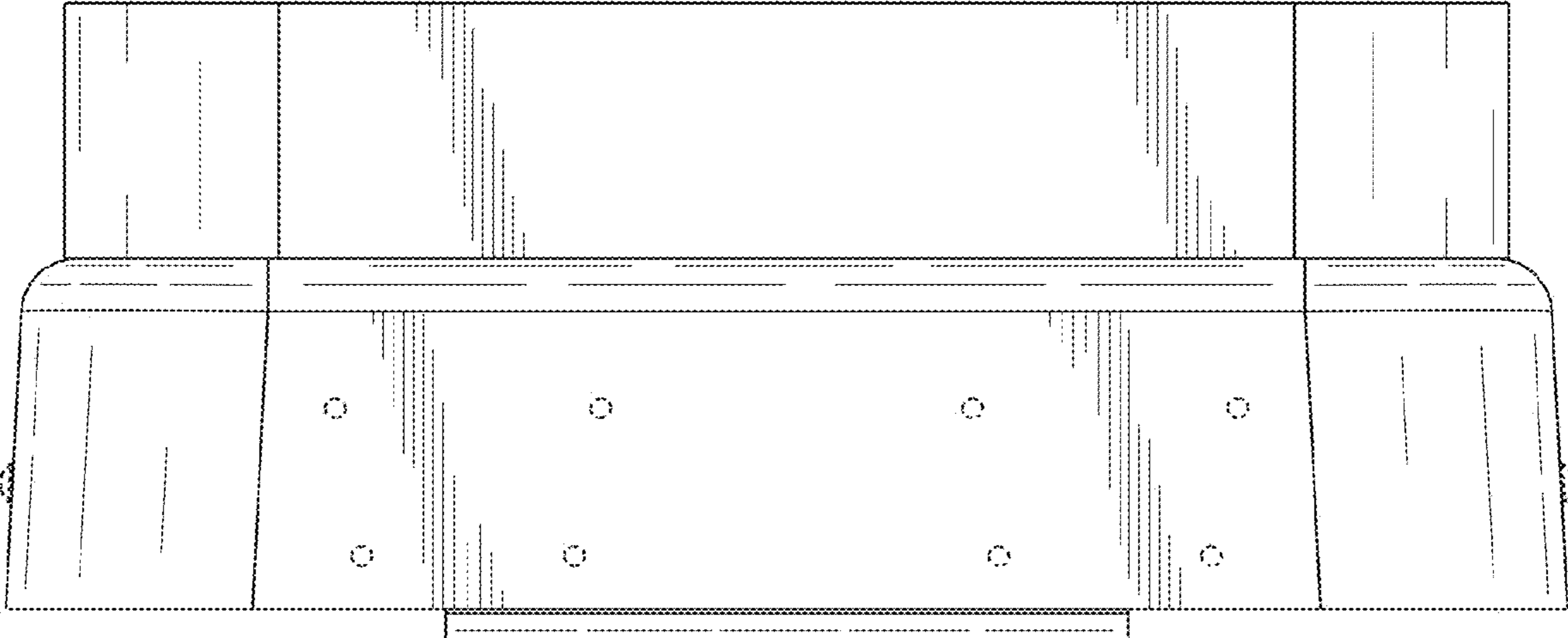


FIG. 4

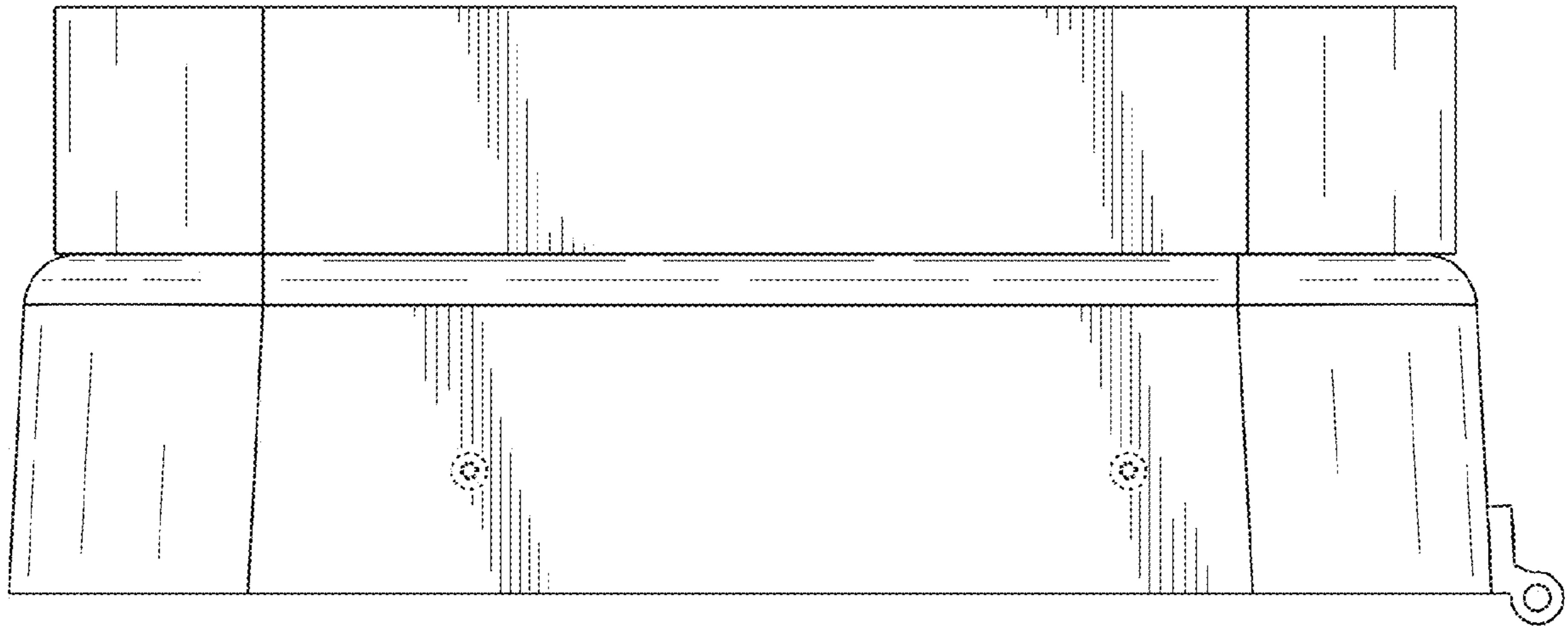


FIG. 5

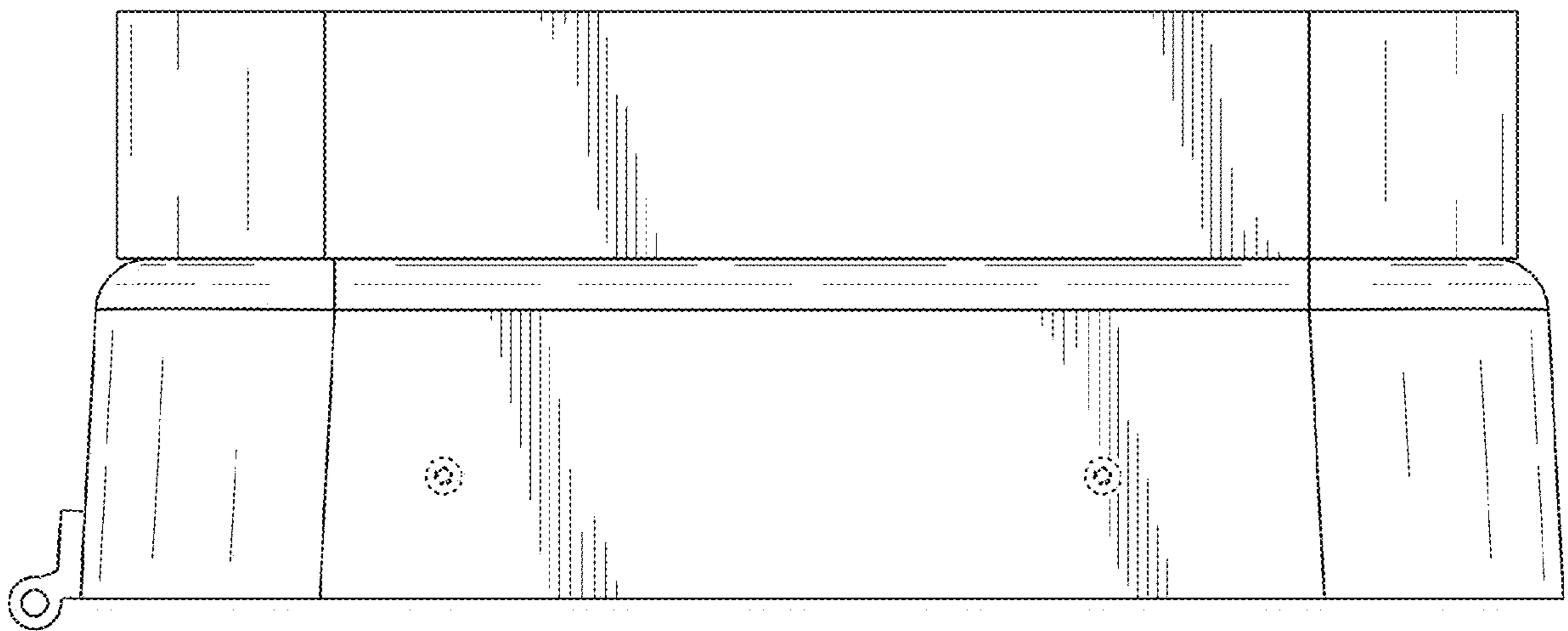


FIG. 6

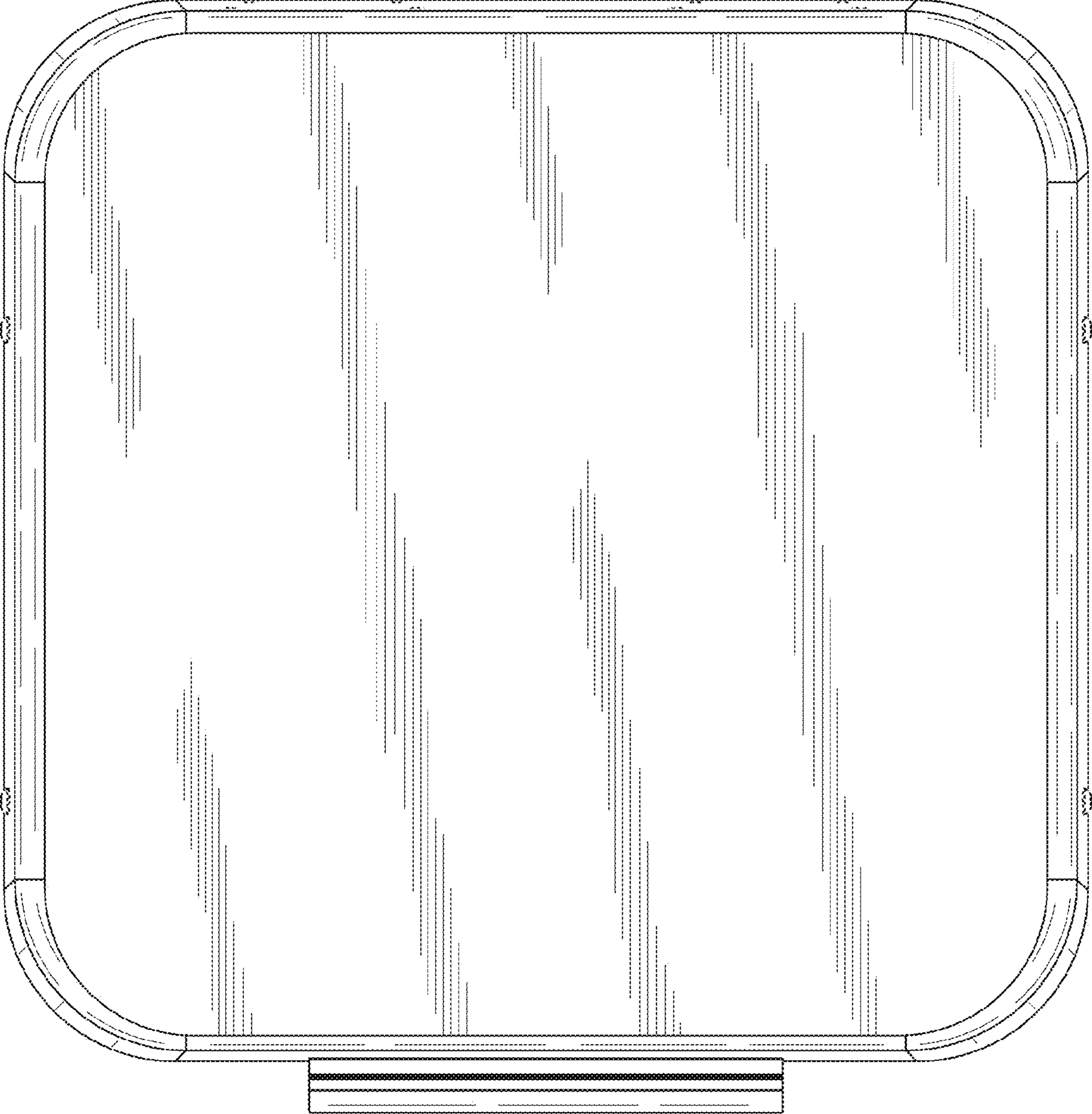


FIG. 7

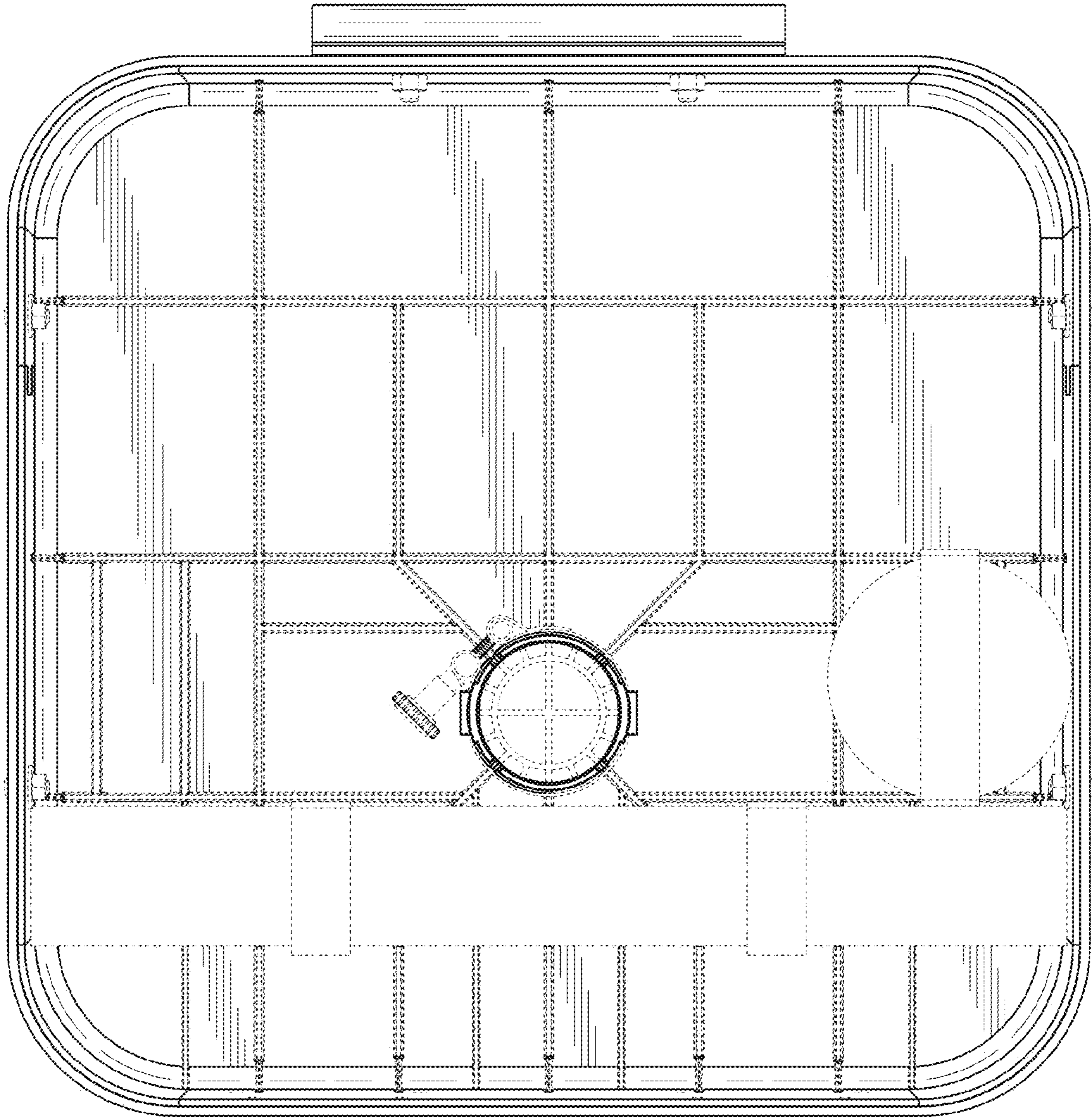


FIG. 8

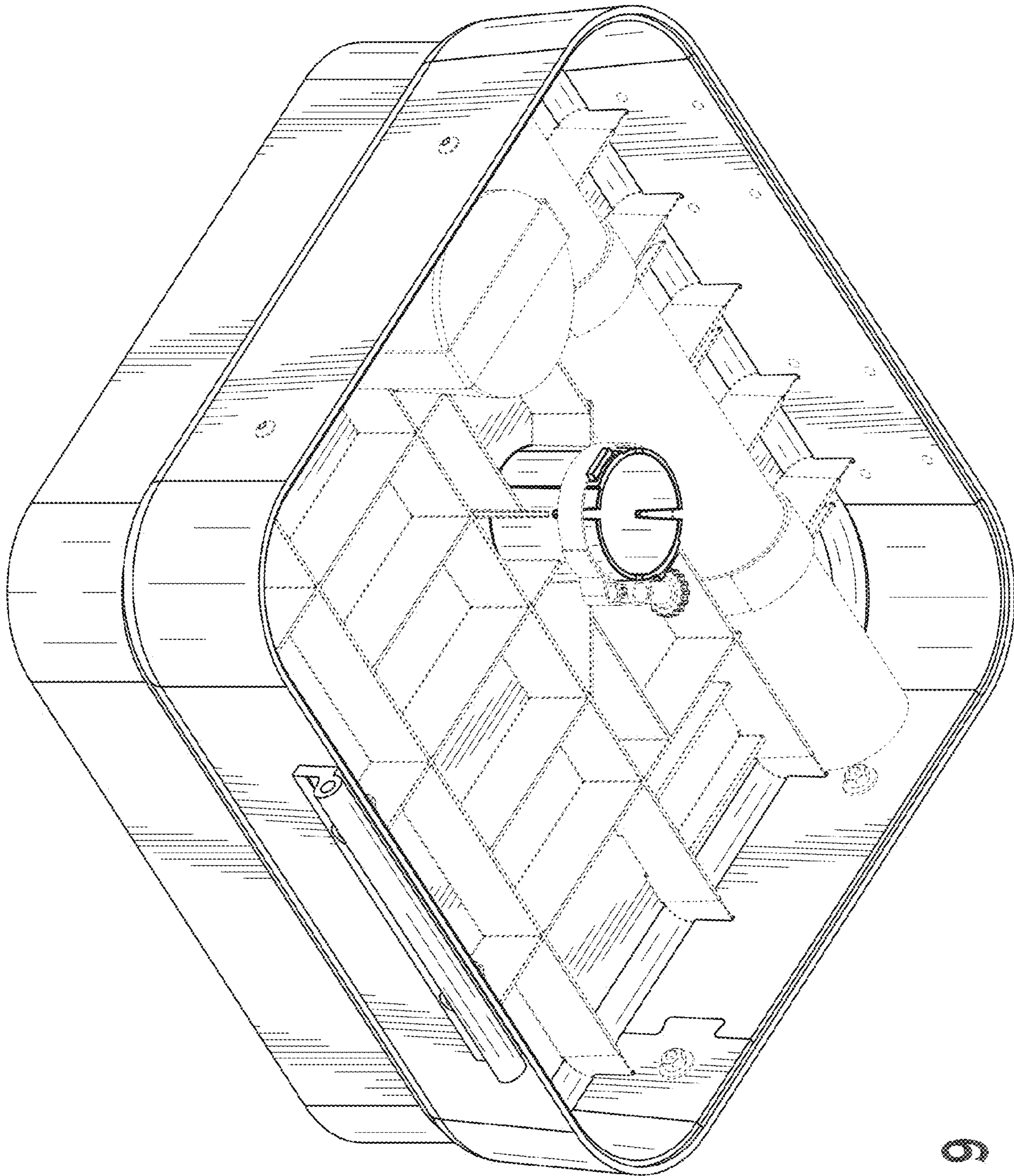


FIG. 9

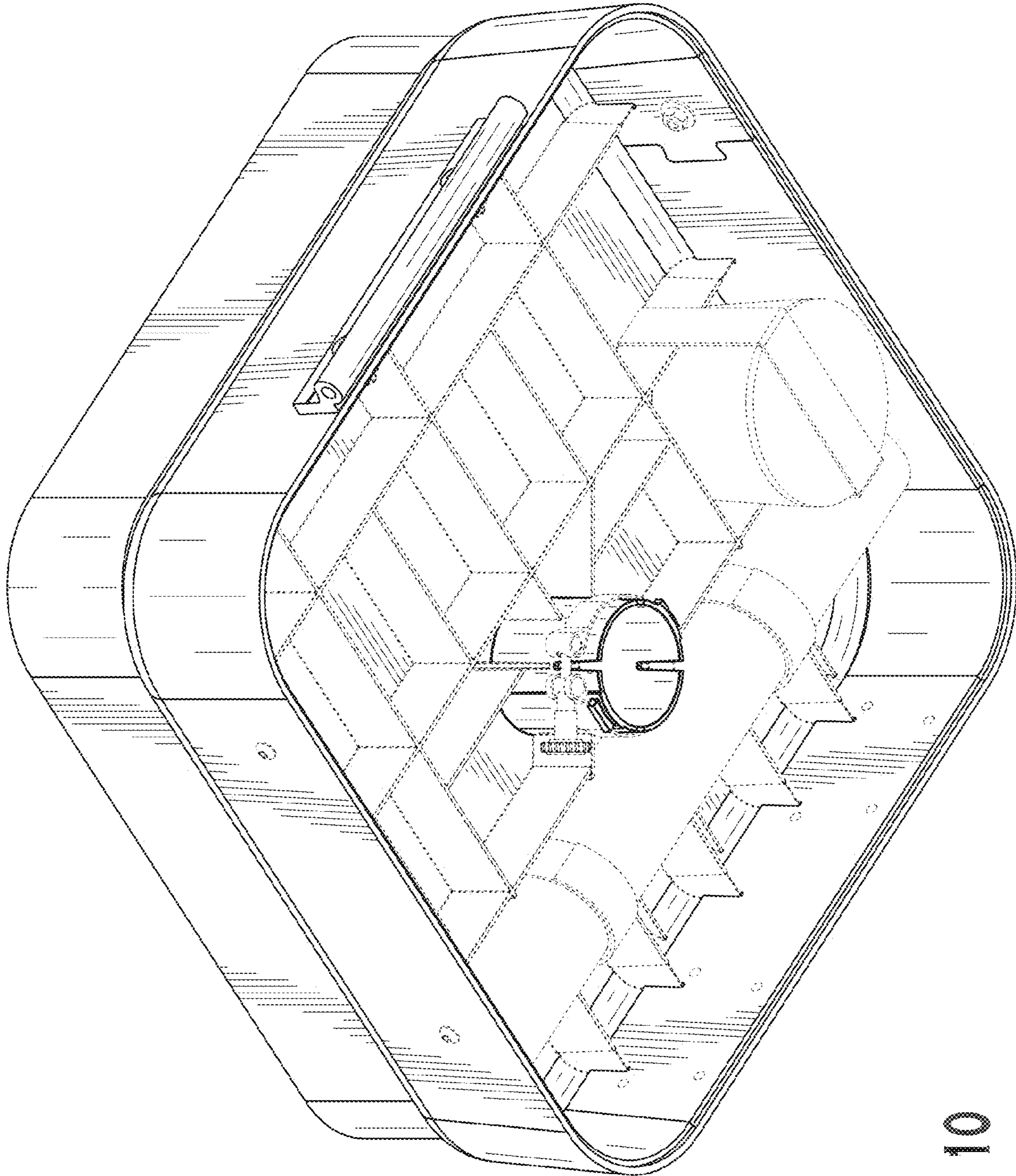


FIG. 10

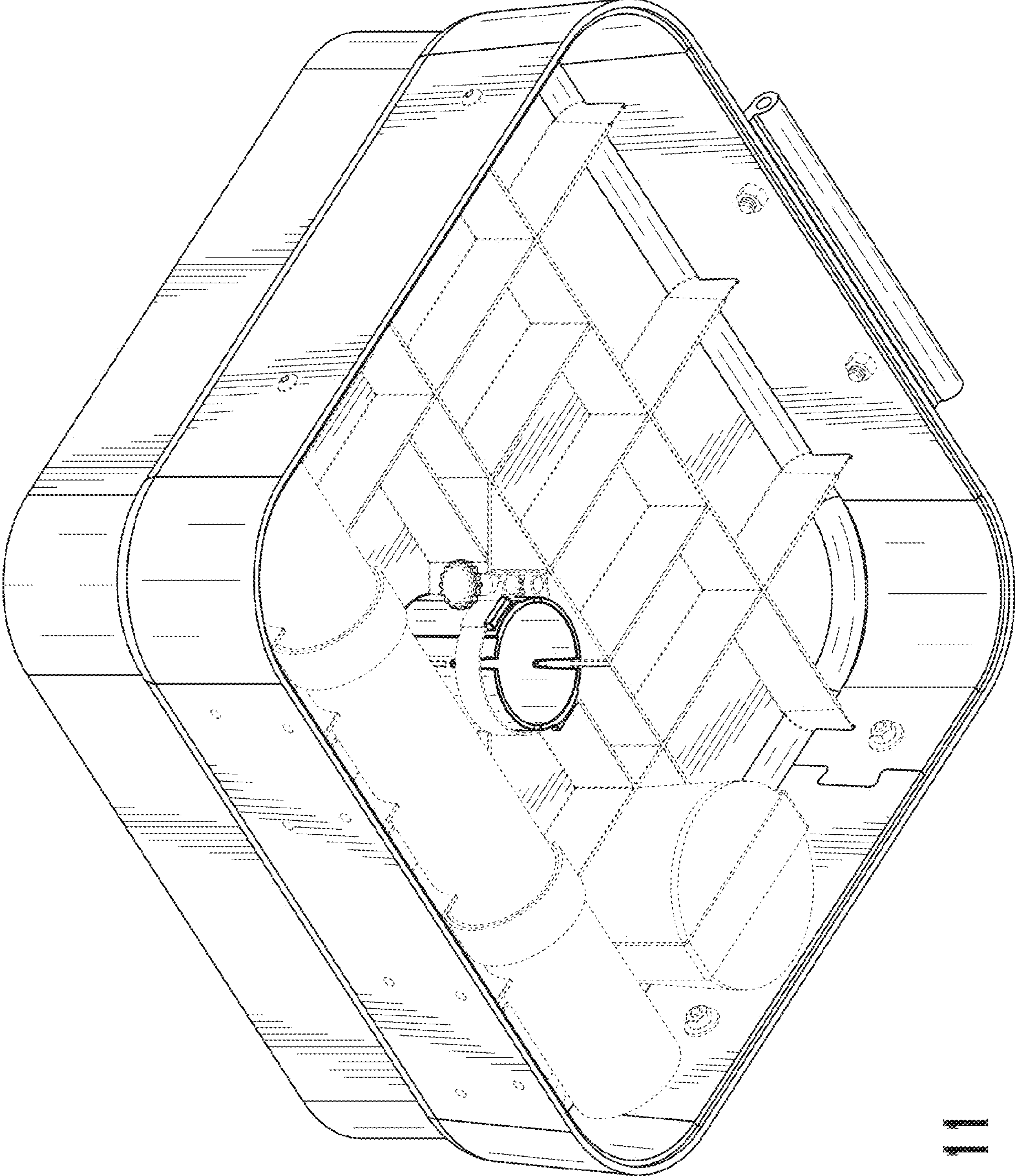


FIG. 11

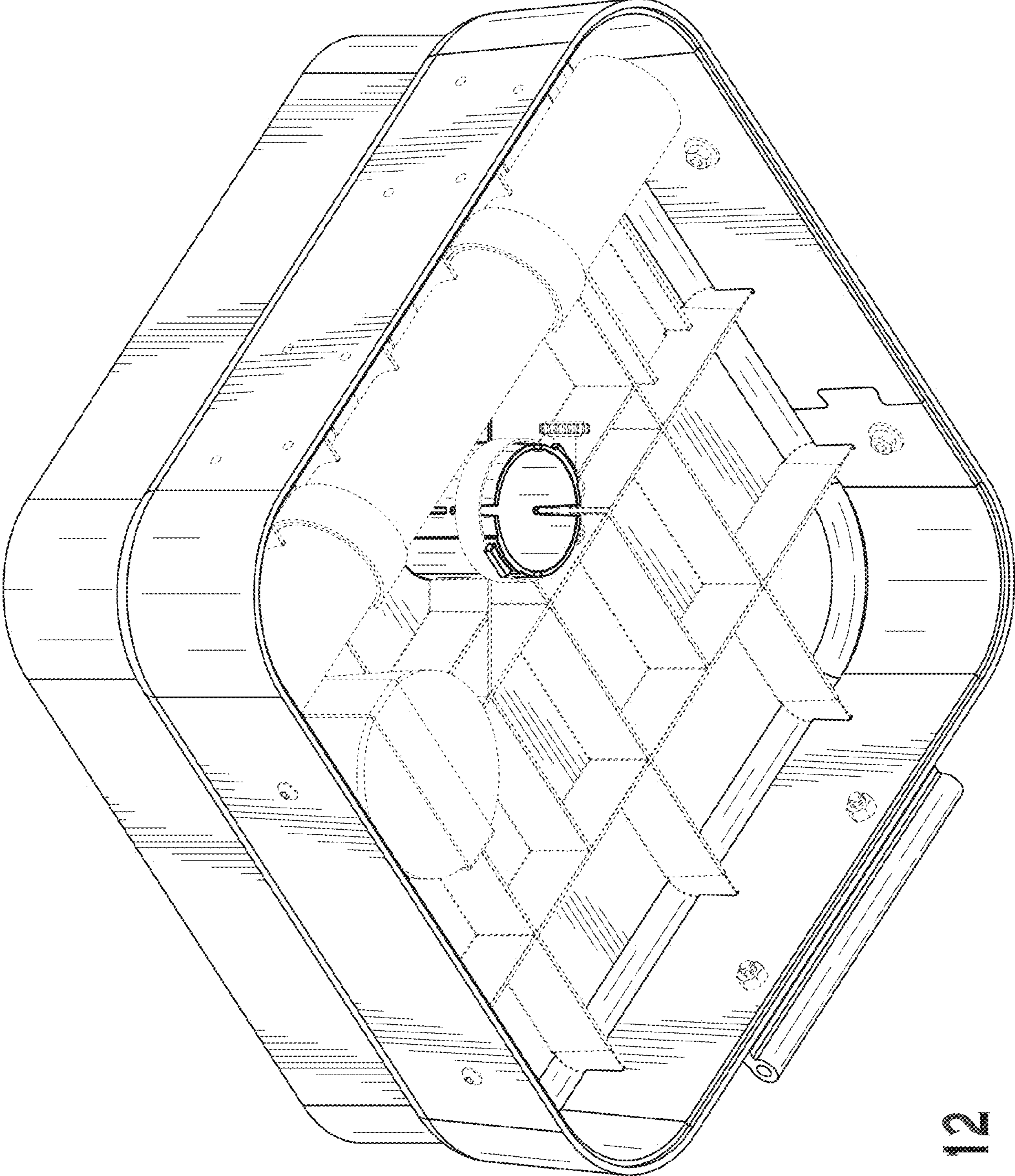


FIG. 12

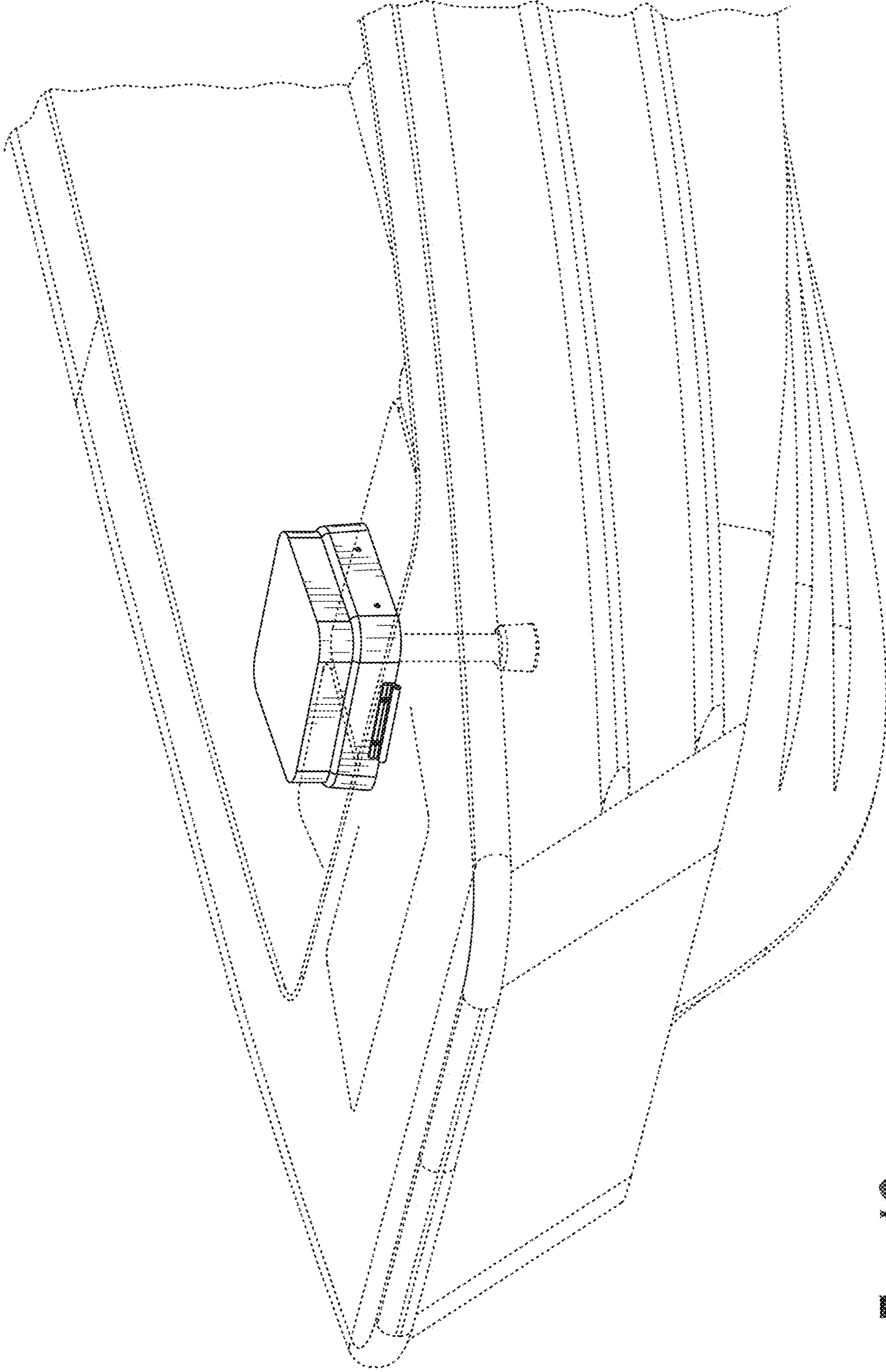


FIG. 13