

US00D964054S

(12) **United States Design Patent**  
**Atkinson et al.**

(10) **Patent No.:** **US D964,054 S**

(45) **Date of Patent:** **\*\* Sep. 20, 2022**

(54) **GARMENT HANGER WITH DEPENDING CLIPS**

(71) Applicant: **HANGERLOGIC INC.**, LaSalle (CA)

(72) Inventors: **Kevin Atkinson**, Woodbridge (CA);  
**Wai Sing Li**, Hong Kong (HK); **Chi Ming Kwok**, Hong Kong (HK)

(73) Assignee: **HANGERLOGIC INC.**, LaSalle (CA)

(\*\*) Term: **15 Years**

(21) Appl. No.: **29/775,898**

(22) Filed: **Mar. 25, 2021**

(51) **LOC (13) Cl.** ..... **06-08**

(52) **U.S. Cl.**  
USPC ..... **D6/326**

(58) **Field of Classification Search**  
USPC ..... D6/315-328  
CPC ..... A47G 25/485; A47G 2025/484; A47G 25/28; A47G 25/20; A47G 25/483; A47G 25/50

See application file for complete search history.

(56) **References Cited**

**U.S. PATENT DOCUMENTS**

4,446,996	A *	5/1984	Garrison	.....	A47G 25/485
					211/124
D297,486	S *	9/1988	Jaffe	.....	D6/318
5,398,854	A *	3/1995	Blanchard	.....	A47G 25/485
					223/96
5,915,605	A *	6/1999	Blanchard	.....	A47G 25/485
					223/91

D415,357	S *	10/1999	Blanchard	.....	D6/326
5,992,714	A *	11/1999	Morgan	.....	A47G 25/485
					223/96
D454,257	S *	3/2002	Hunt	.....	D6/326
D466,311	S *	12/2002	Hawkins	.....	D6/326
D466,704	S *	12/2002	Hawkins	.....	D6/326
D504,024	S *	4/2005	Mainetti	.....	D6/326
D518,839	S *	4/2006	Singleton	.....	D6/326
D569,631	S *	5/2008	Hansen	.....	D6/326
D586,568	S *	2/2009	Jones	.....	D6/326
D605,416	S *	12/2009	Warren	.....	D6/328
7,665,640	B2 *	2/2010	Misumi	.....	A47G 25/483
					223/95
D727,633	S *	4/2015	Atkinson	.....	D6/323

\* cited by examiner

*Primary Examiner* — Lauren R Calve

(74) *Attorney, Agent, or Firm* — Mila Shvartsman

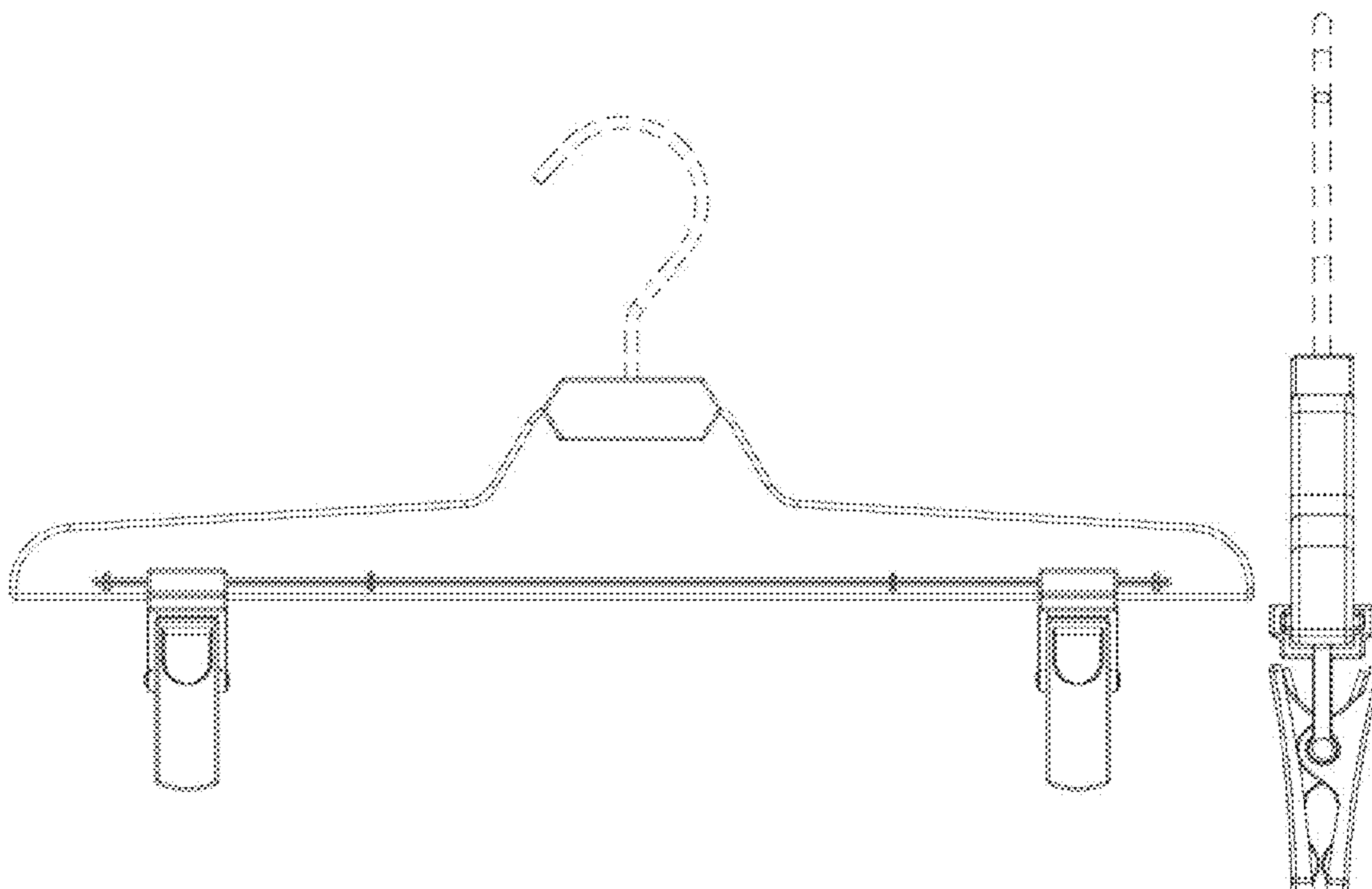
(57) **CLAIM**

We claim the ornamental design for a garment hanger with depending clips, as shown and described.

**DESCRIPTION**

FIG. 1 is a front view of a garment hanger with depending clips showing our new design;  
FIG. 2 is a rear view thereof;  
FIG. 3 is a top view thereof;  
FIG. 4 is a bottom view thereof;  
FIG. 5 is an enlarged right view thereof; and,  
FIG. 6 is an enlarged left view thereof.  
The broken lines shown represent unclaimed subject matter and form no part of the claimed design.

**1 Claim, 4 Drawing Sheets**



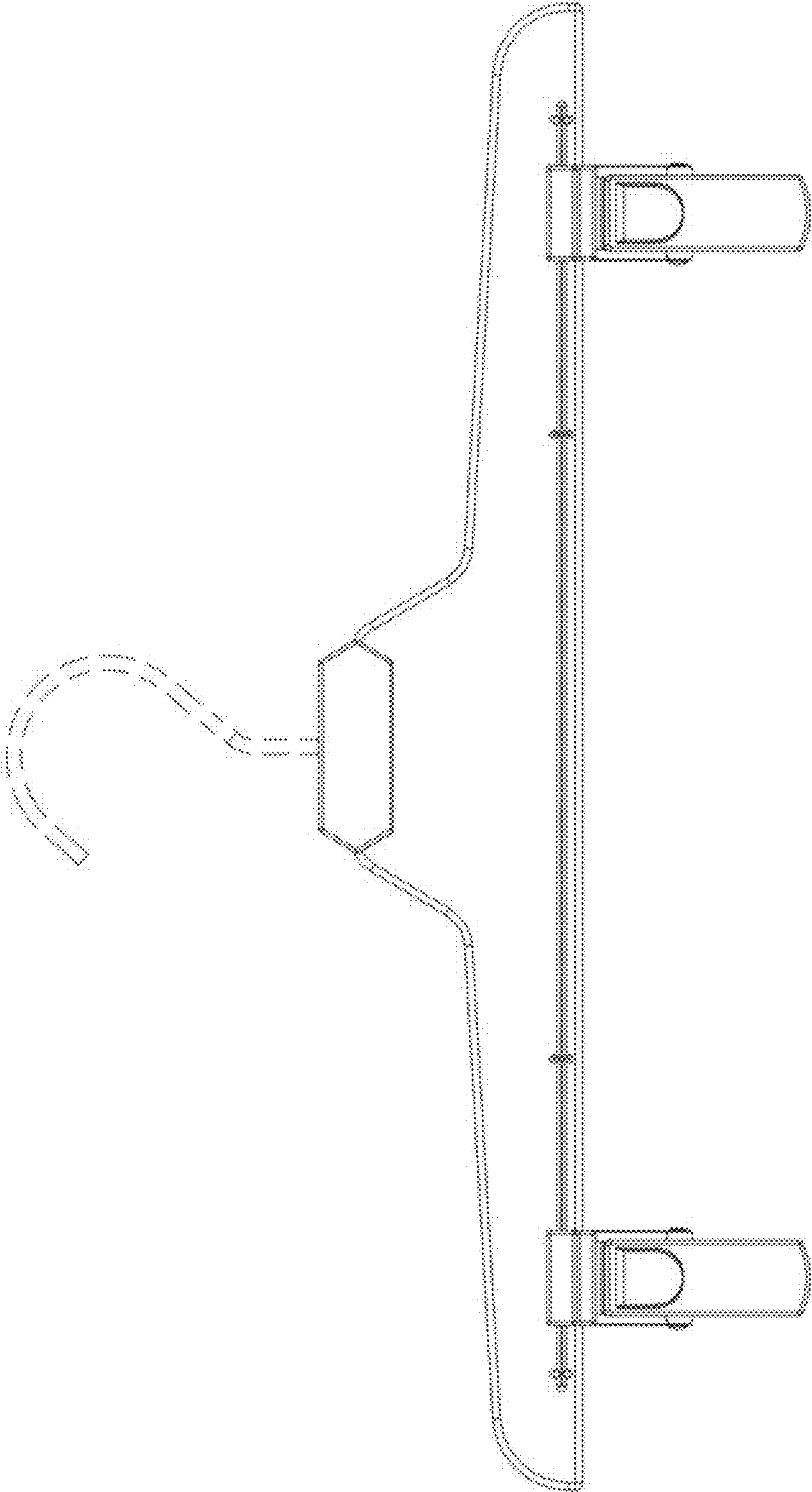


FIG. 1

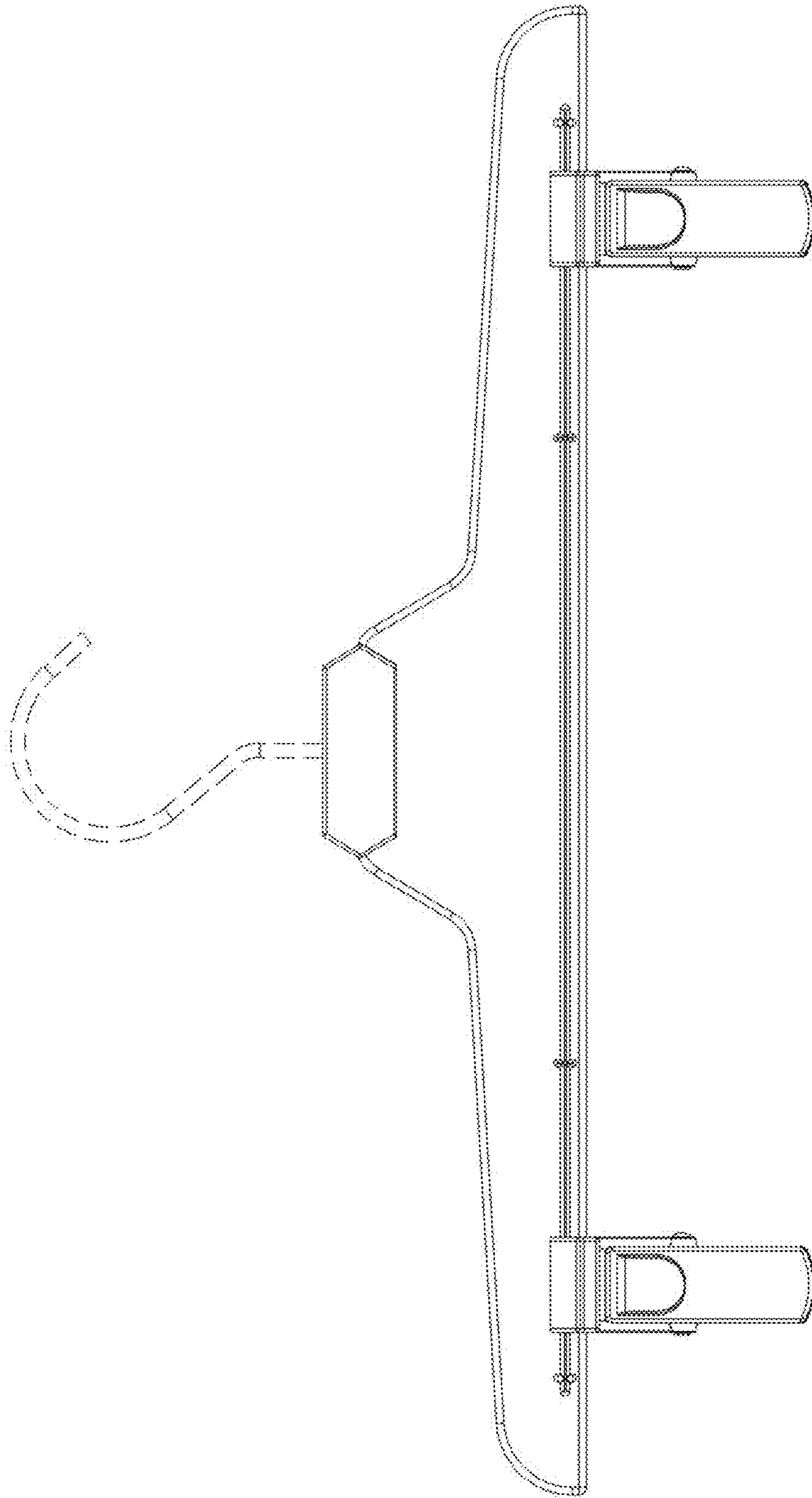


FIG. 2

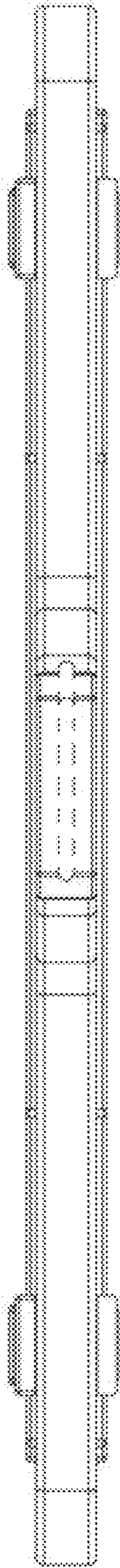


FIG. 3

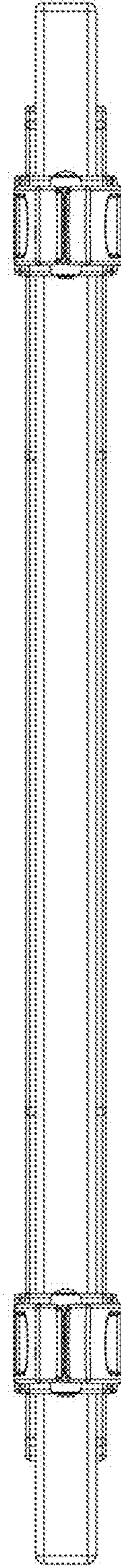


FIG. 4



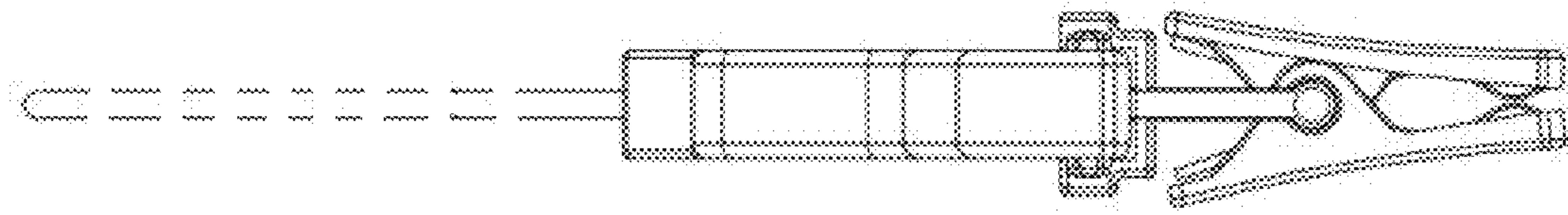


FIG. 6

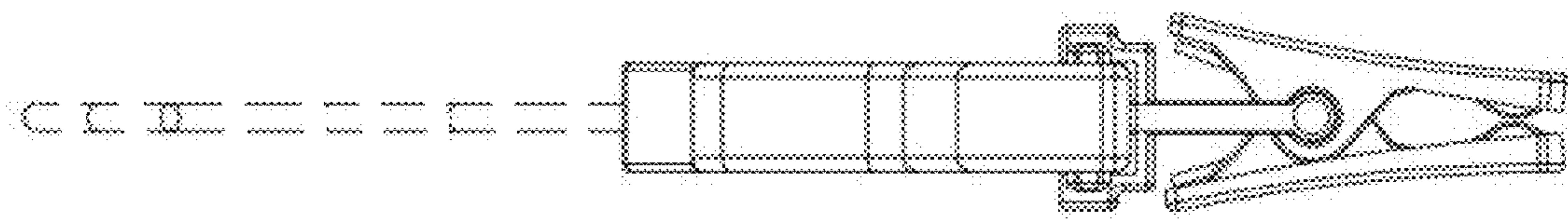


FIG. 5