



US00D964053S

(12) **United States Design Patent** (10) **Patent No.:** **US D964,053 S**  
**Yu** (45) **Date of Patent:** **\*\* Sep. 20, 2022**

(54) **HAT HOOK FOR WALL MOUNT**  
(71) Applicant: **Shenzhen hongshengwei Technology Co., Ltd., Shenzhen (CN)**  
(72) Inventor: **Bingfeng Yu, Shenzhen (CN)**  
(73) Assignee: **Shenzhen hongshengwei Technology Co., Ltd., Shenzhen (CN)**  
(\*\*) Term: **15 Years**  
(21) Appl. No.: **29/824,848**  
(22) Filed: **Jan. 27, 2022**  
(51) **LOC (13) Cl.** ..... **06-08**  
(52) **U.S. Cl.**  
USPC ..... **D6/323**  
(58) **Field of Classification Search**  
USPC ..... D6/315, 317-320, 323, 326, 328, 553,  
D6/672; D8/367, 372, 373, 380  
CPC ..... A47G 25/00; A47G 25/06; A47G 25/10;  
A47G 25/28; A47G 25/30; A47G 25/32;  
A47G 25/68; A47G 1/00; A47F 7/06  
See application file for complete search history.

D882,968 S \* 5/2020 Avendano ..... D6/320  
D927,866 S \* 8/2021 Allard ..... D8/367  
D935,204 S \* 11/2021 Cowlin ..... D8/372  
D936,464 S \* 11/2021 Carlino ..... D8/367  
2018/0344058 A1\* 12/2018 Petner ..... A47G 25/10

**OTHER PUBLICATIONS**

Icero Adhesive Hat Hooks for Wall, available in Amazon.com, oldest review date of May 21, 2022, site visited on Jul. 27, 2022, URL: <https://www.amazon.com/ICERO-Adhesive-Rack-Hooks-Fixture-Strong-Wall-White/dp/B09TR3CMY9/> (Year: 2022).  
16-Pack Upgraded Hat Hooks for Wall, available in Amazon.com, first available date of Mar. 24, 2022, site visited on Jul. 27, 2022, URL: <https://www.amazon.com/Upgraded-Adhesive-Multi-functional-Organizer-Minimalist/dp/B09WDPLYYW/> (Year: 2022).  
10 Pcs Adhesive Hat Hooks for Wall, available in amazon.com, first available date of Jun. 1, 2022, site visited on Jul. 27, 2022, URL: <https://www.amazon.com/dp/B0B2VQGFHQ/> (Year: 2022).\*

\* cited by examiner

*Primary Examiner* — Mary Ann Calabrese  
*Assistant Examiner* — Mark David Wolfley  
(74) *Attorney, Agent, or Firm* — ScienBiziP, P.C.

(57) **CLAIM**

The ornamental design for a hat hook for wall mount, as shown and described.

**DESCRIPTION**

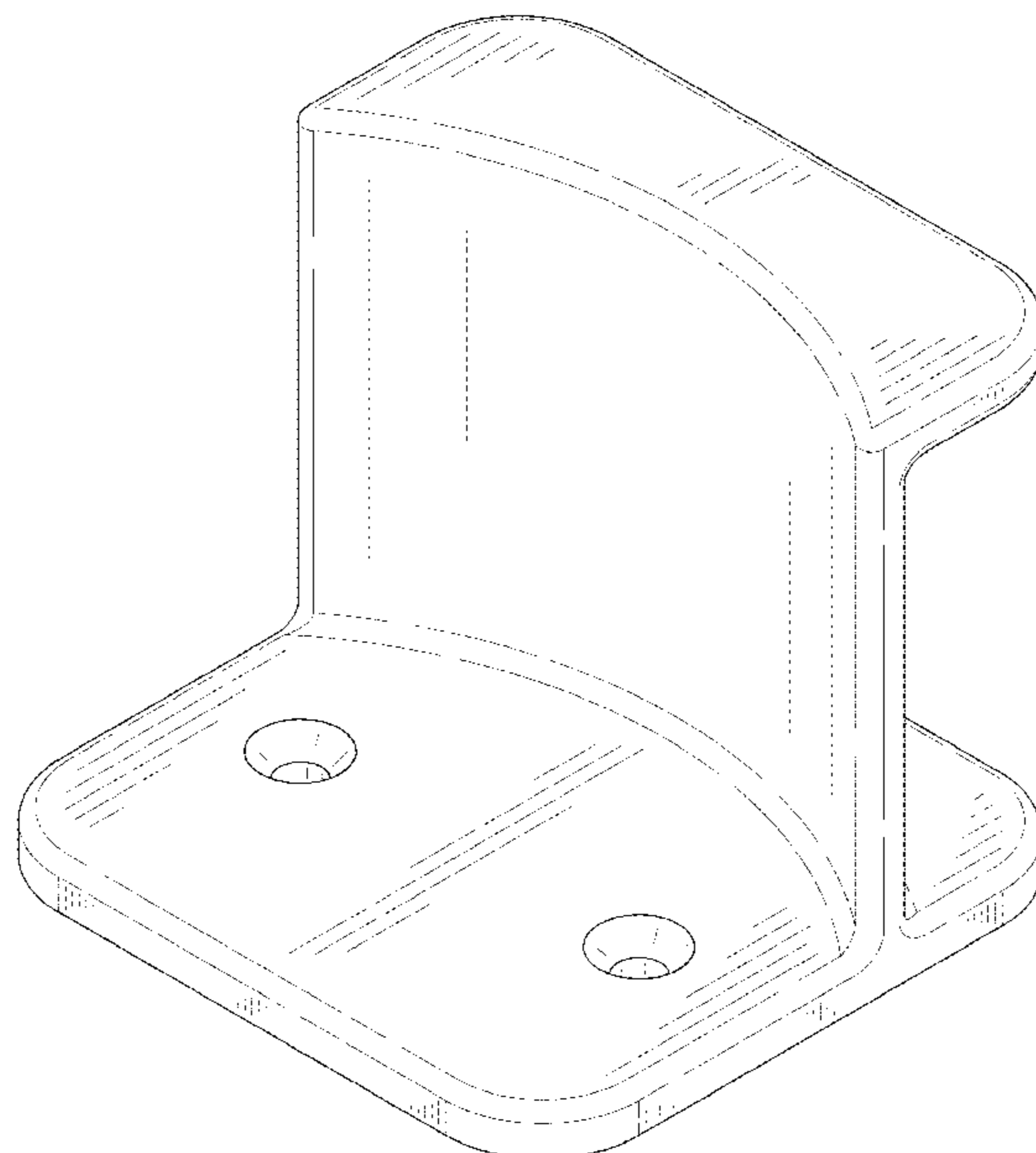
FIG. 1 is a front, right, top perspective view of a hat hook for wall mount, showing my design.  
FIG. 2 is a rear, left, bottom perspective view thereof.  
FIG. 3 is a front elevation view thereof.  
FIG. 4 is a rear elevation view thereof.  
FIG. 5 is a left side elevation view thereof.  
FIG. 6 is a right side elevation view thereof.  
FIG. 7 is a top plan view thereof; and,  
FIG. 8 is a bottom plan view thereof.

**1 Claim, 8 Drawing Sheets**

(56) **References Cited**

**U.S. PATENT DOCUMENTS**

5,480,073 A \* 1/1996 LaManna ..... A47F 7/06  
211/32  
D472,060 S \* 3/2003 Hoernig ..... D8/367  
D501,054 S 1/2005 Galli  
D506,559 S 6/2005 Chen  
D547,956 S \* 8/2007 Williams ..... D6/323  
D767,907 S \* 10/2016 Goodman ..... D6/323  
D792,197 S \* 7/2017 Kundig ..... D8/371  
D821,184 S \* 6/2018 Berger ..... D8/367  
D839,721 S \* 2/2019 Downey ..... D8/367  
10,264,896 B2\* 4/2019 Petner ..... A47F 7/06  
D867,771 S \* 11/2019 Zhong ..... D6/323



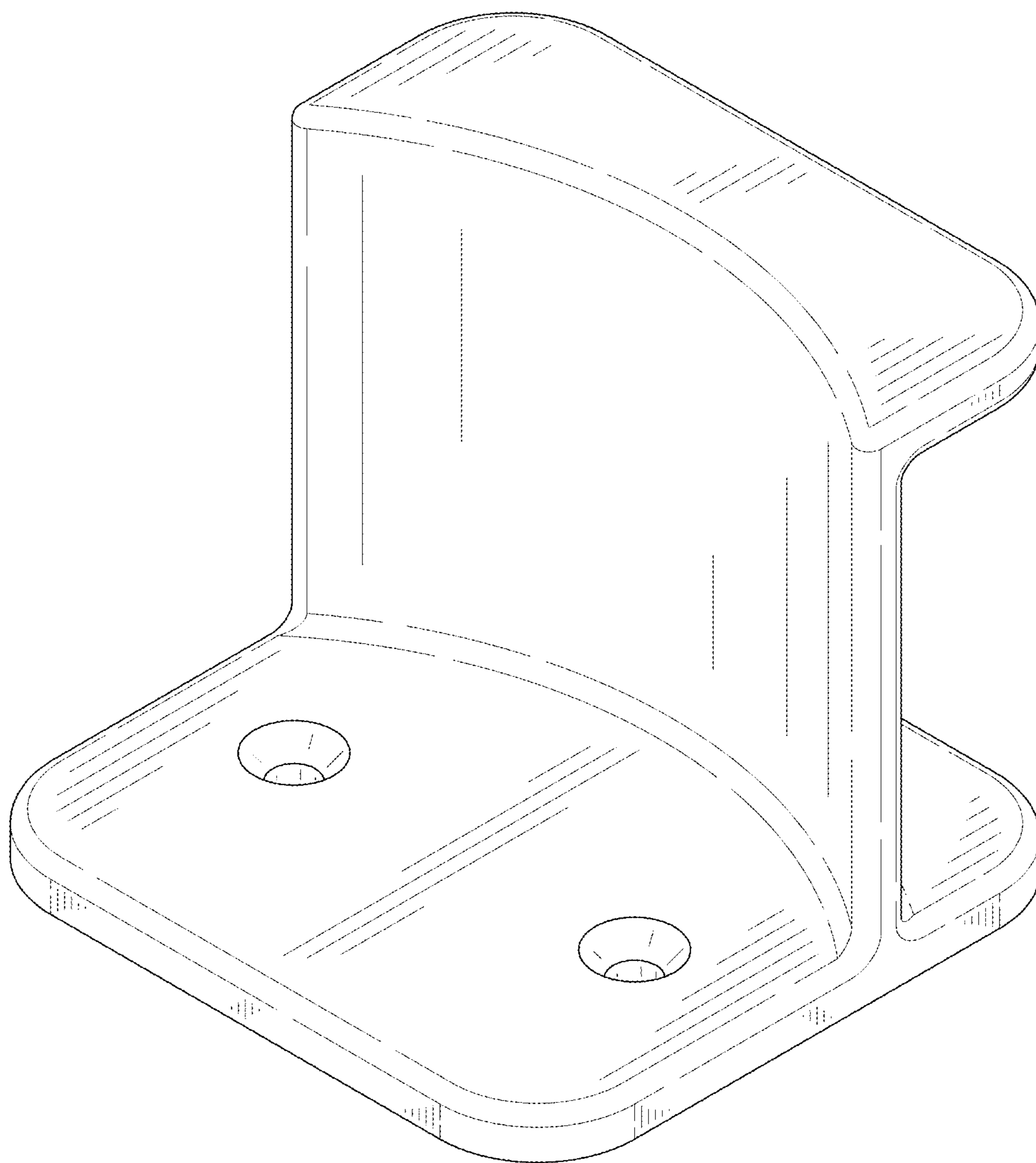


FIG. 1

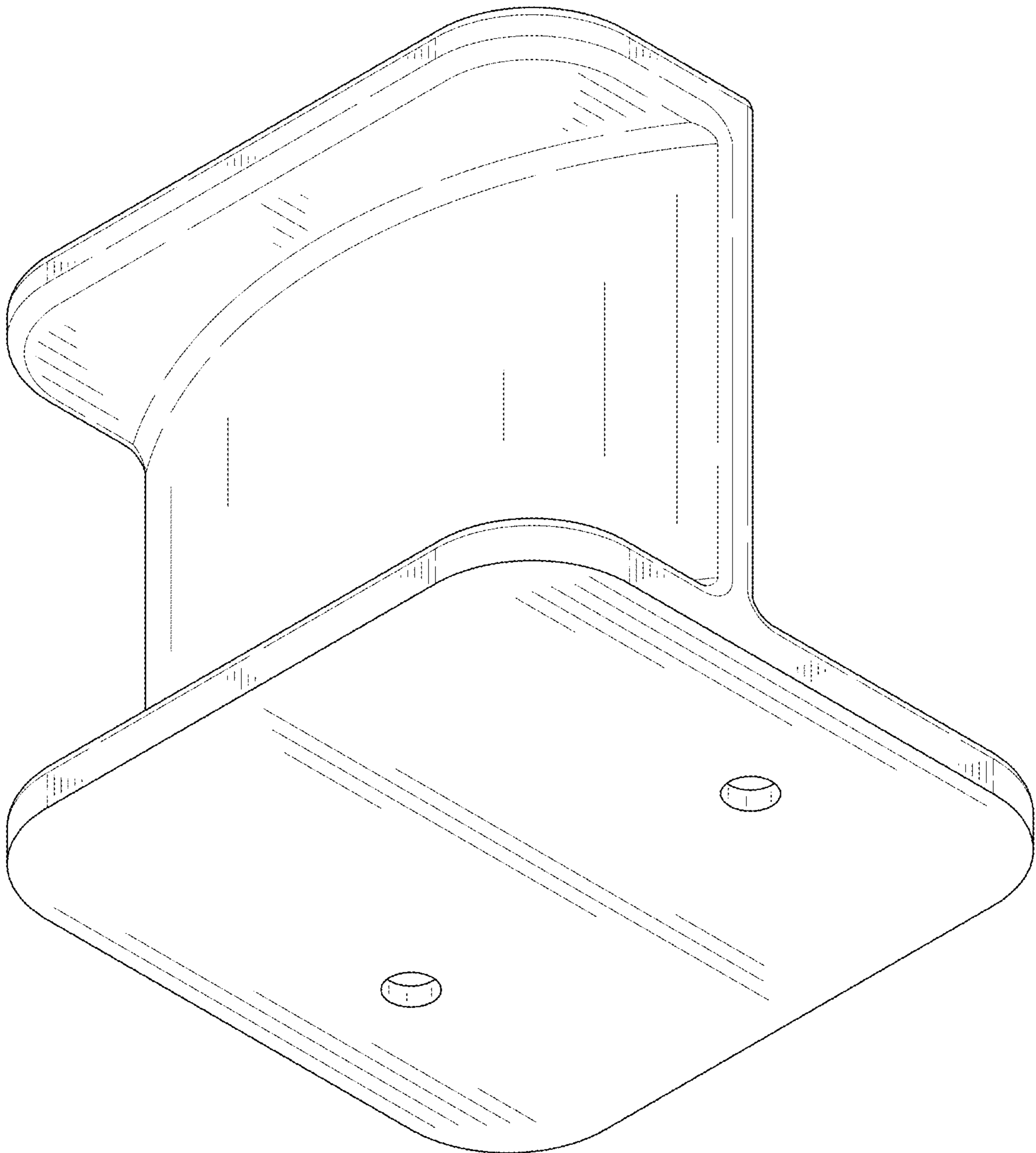


FIG. 2

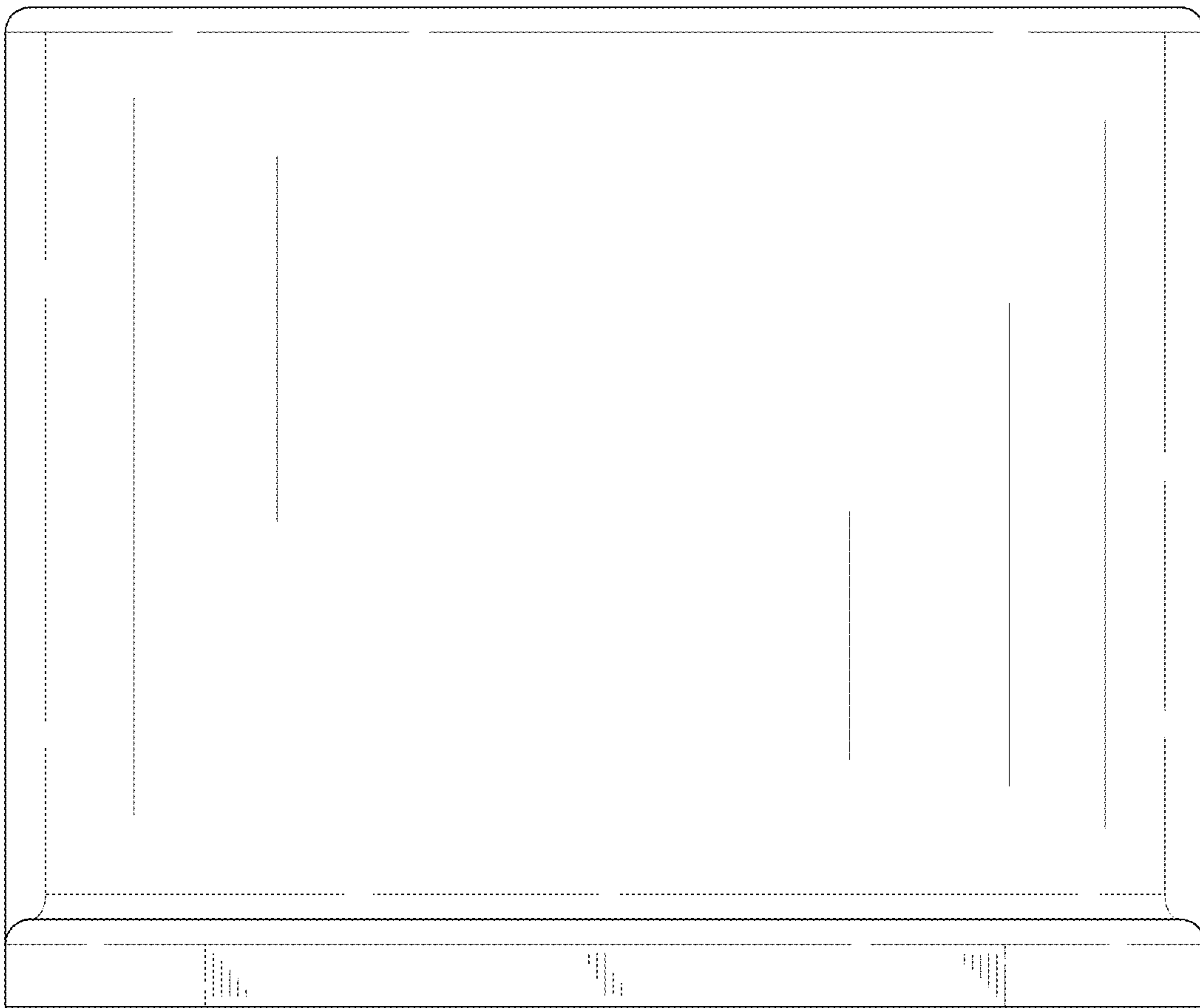


FIG. 3

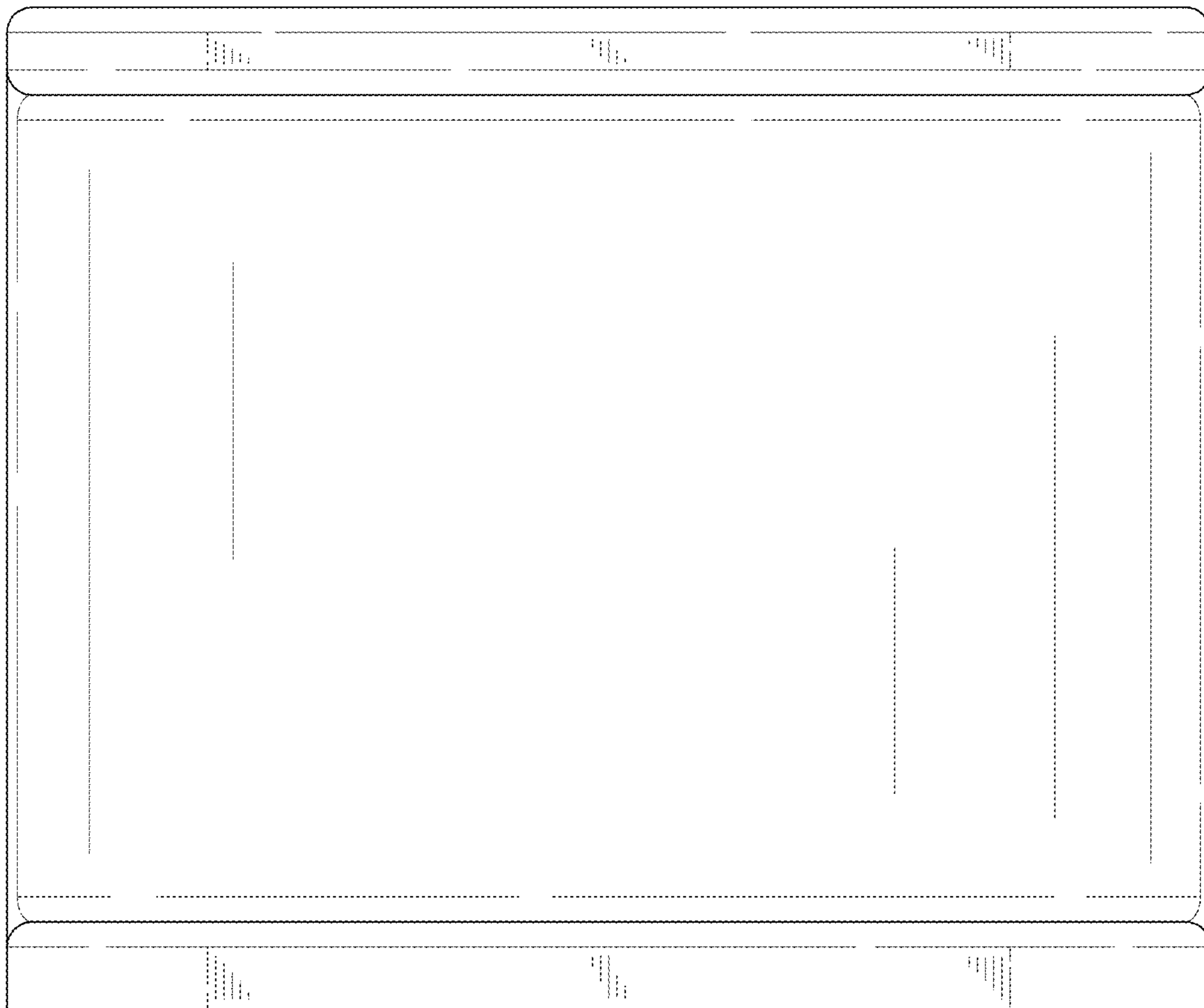


FIG. 4

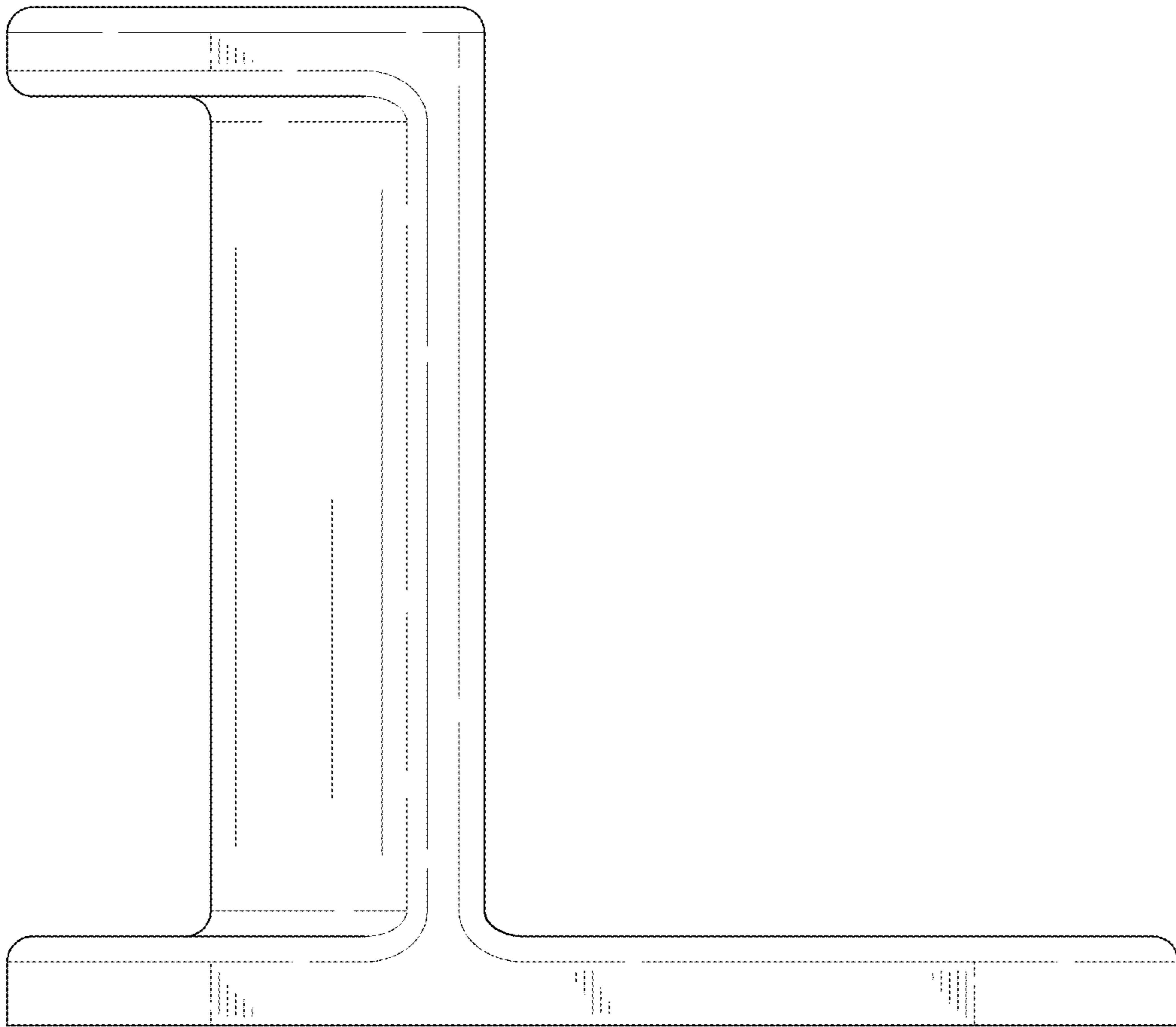


FIG. 5



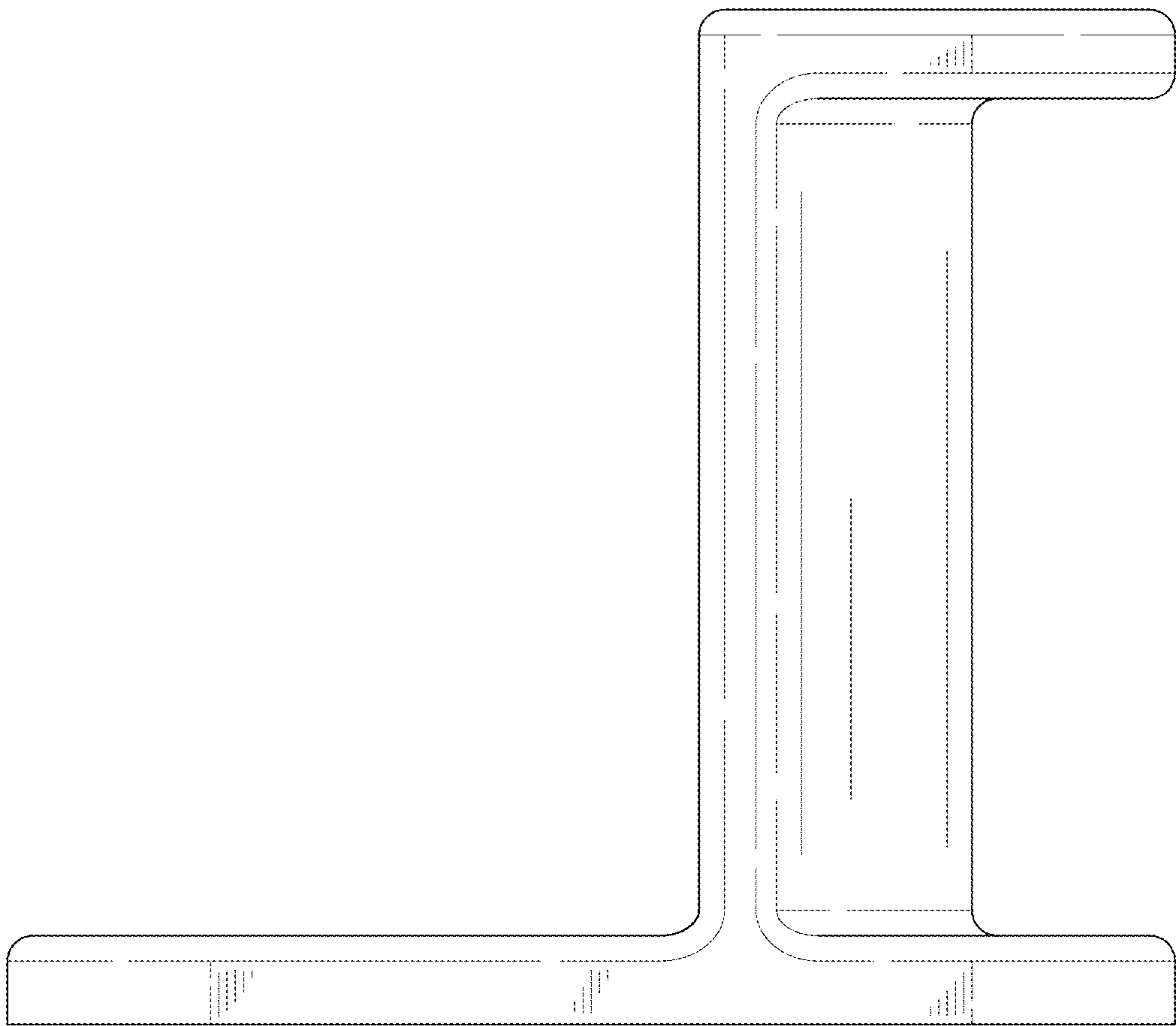


FIG. 6

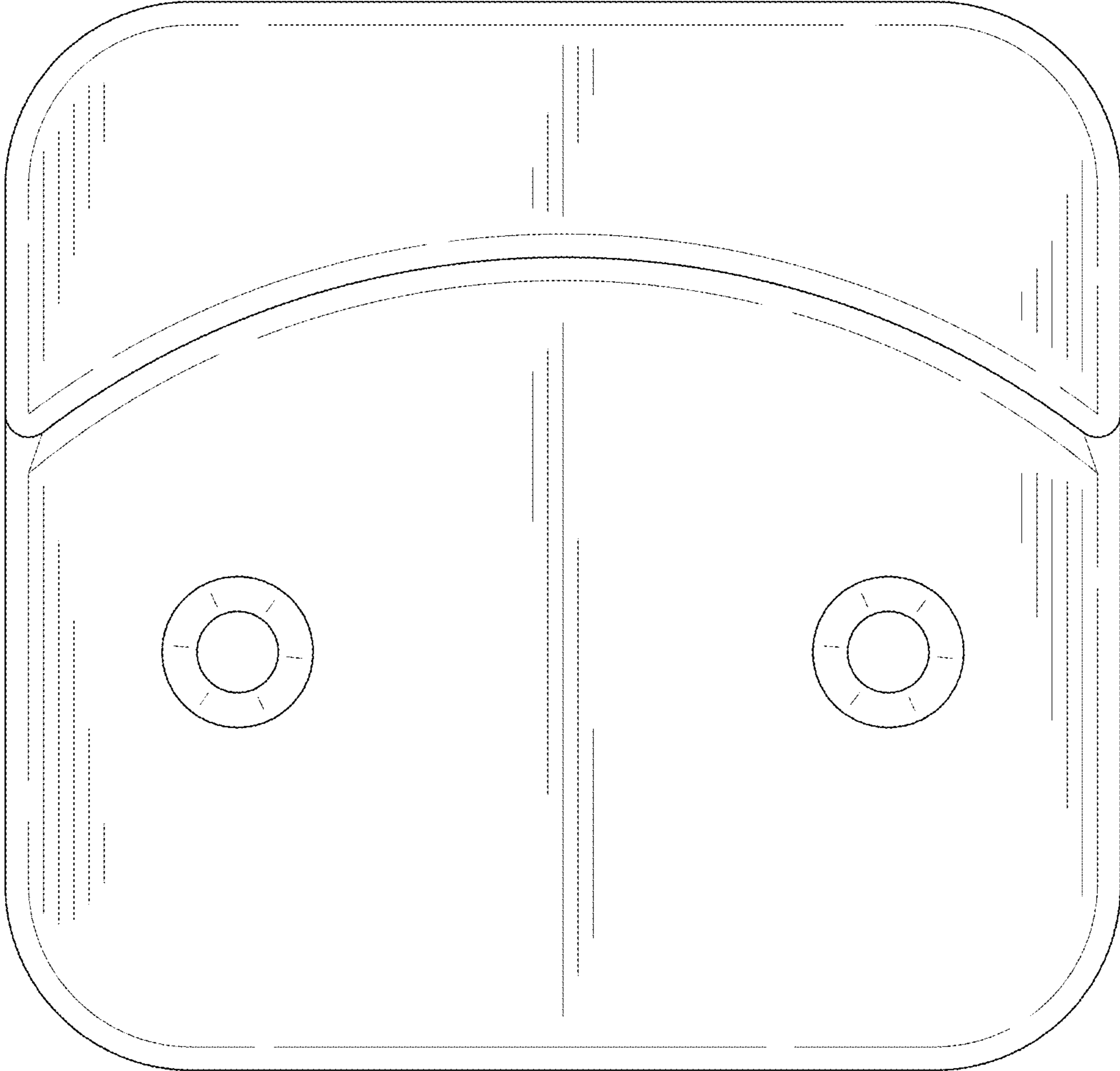


FIG. 7



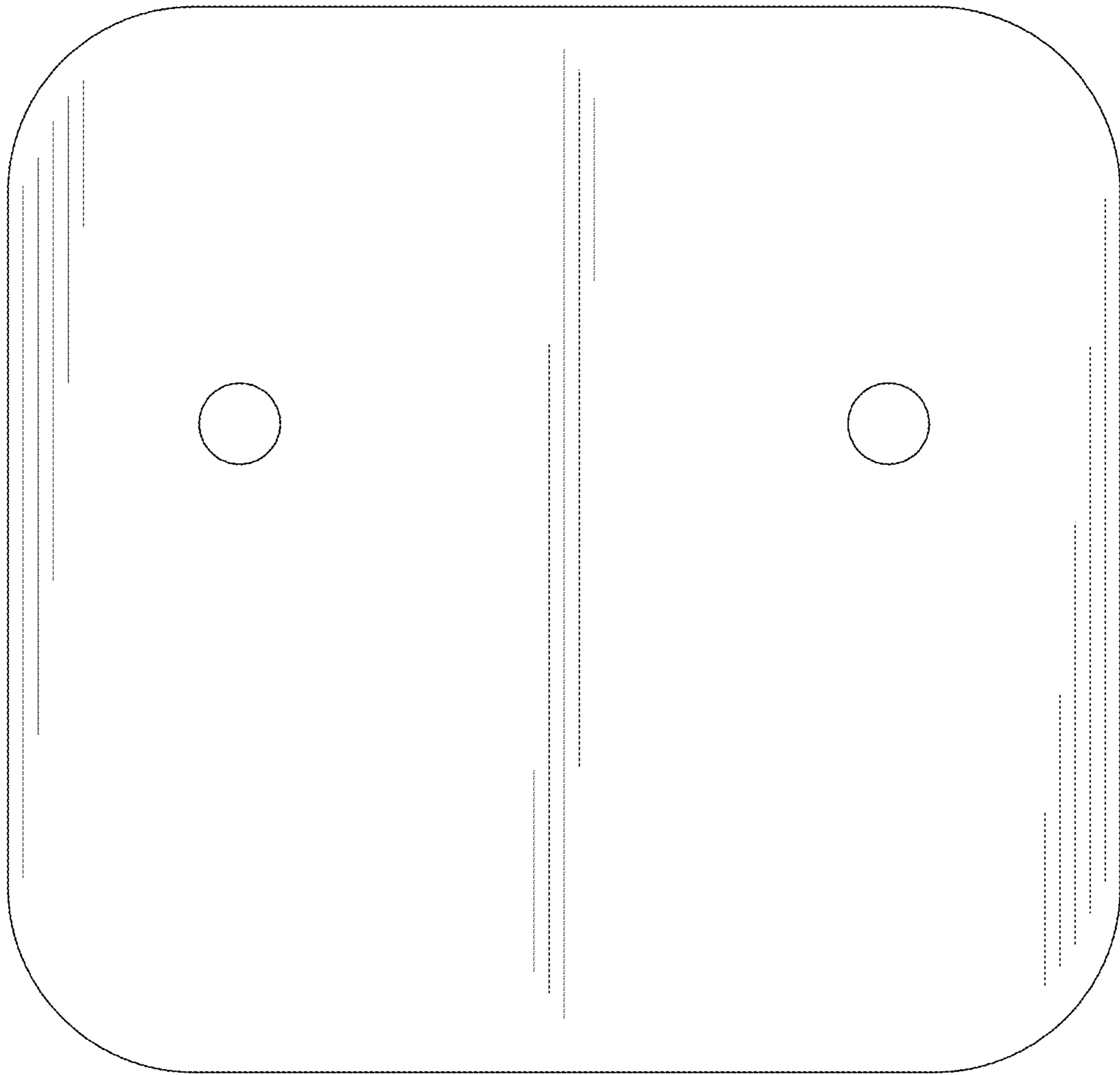


FIG. 8