



US00D964052S

(12) **United States Design Patent**
Atkinson et al.

(10) **Patent No.:** **US D964,052 S**

(45) **Date of Patent:** **** Sep. 20, 2022**

(54) **GARMENT HANGER**

(71) Applicant: **HANGERLOGIC INC.**, LaSalle (CA)

(72) Inventors: **Kevin Atkinson**, Woodbridge (CA);
Wai Sing Li, Hong Kong (HK); **Chi Ming Kwok**, Hong Kong (HK)

(73) Assignee: **HANGERLOGIC INC.**, LaSalle (CA)

(**) Term: **15 Years**

(21) Appl. No.: **29/775,894**

(22) Filed: **Mar. 25, 2021**

(51) **LOC (13) Cl.** **06-08**

(52) **U.S. Cl.**
USPC **D6/318**

(58) **Field of Classification Search**
USPC D6/315-328
CPC A47G 25/14; A47G 25/28; A47G 25/26;
A47G 25/30; A47G 25/36; A47G 25/50;
A47G 25/442; A47G 25/483; A47G
25/743; A47G 25/4023; A47F 5/0006
See application file for complete search history.

(56) **References Cited**

U.S. PATENT DOCUMENTS

1,906,979 A * 5/1933 Levin A47G 25/32
223/95
2,849,169 A * 8/1958 Voltura A47G 25/28
223/92

D241,397 S * 9/1976 Perl et al. D6/318
D259,087 S * 5/1981 Mainetti D6/318
D297,486 S * 9/1988 Jaffe D6/318
D322,518 S * 12/1991 Owen D6/318
D409,846 S * 5/1999 Blanchard D6/318
D440,777 S * 4/2001 Giustini D6/318
D502,008 S * 2/2005 Schultz D6/318
D520,541 S * 5/2006 Singleton D6/318
D654,276 S * 2/2012 Jones D6/318
D680,756 S * 4/2013 Fascitelli D6/318
2011/0233240 A1 * 9/2011 Morawietz A47G 25/442
223/94
2015/0297011 A1 * 10/2015 Jones A47G 25/48
223/85

* cited by examiner

Primary Examiner — Lauren R Calve

(74) *Attorney, Agent, or Firm* — Mila Shvartsman

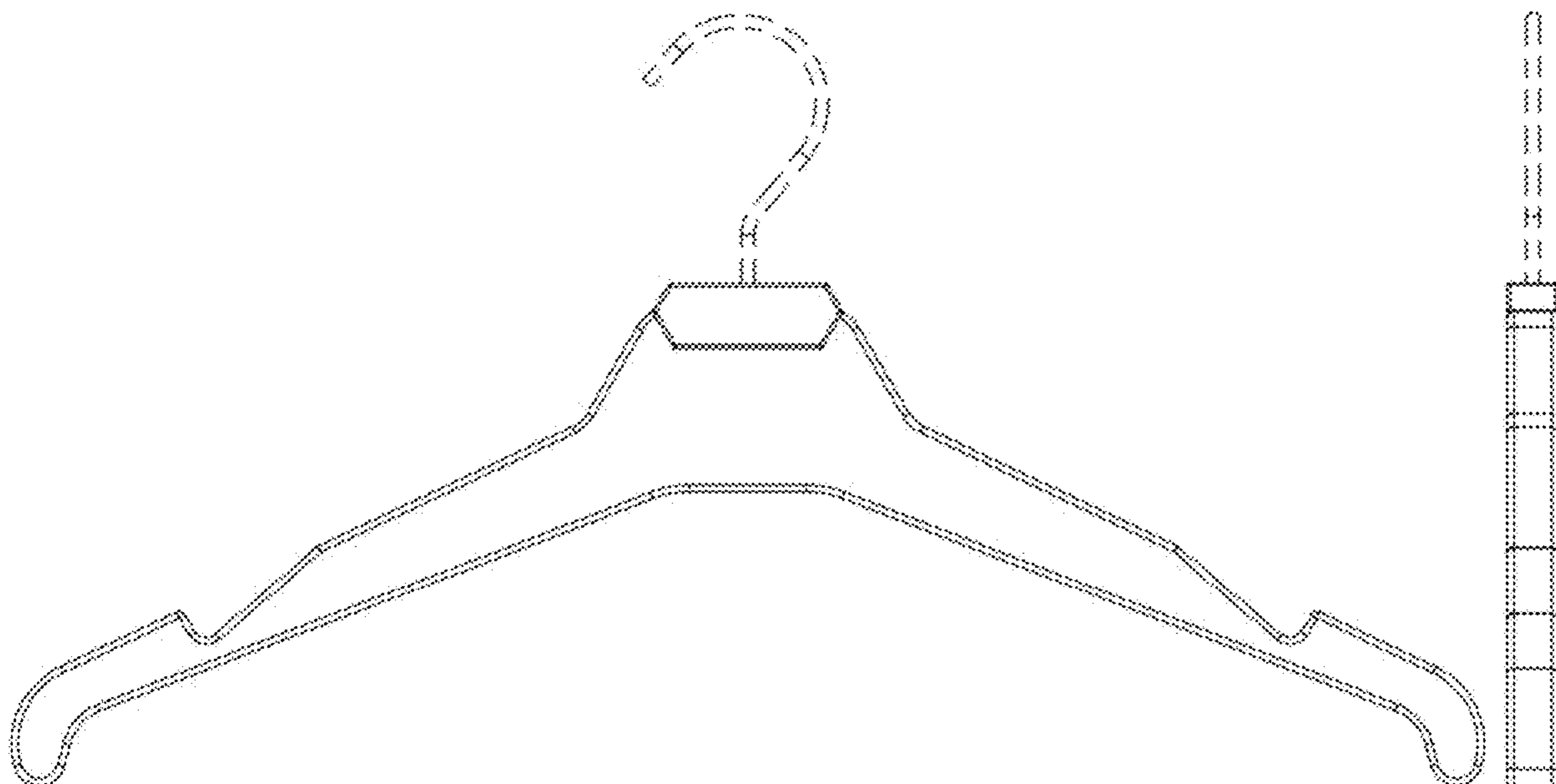
(57) **CLAIM**

We claim the ornamental design for a garment hanger, as shown and described.

DESCRIPTION

FIG. 1 is a front view of a garment hanger showing our new design;
FIG. 2 is a rear view thereof;
FIG. 3 is a top view thereof;
FIG. 4 is a bottom view thereof;
FIG. 5 is a left view thereof; and,
FIG. 6 is a right view thereof.
The broken lines shown represent unclaimed subject matter and form no part of the claimed design.

1 Claim, 4 Drawing Sheets



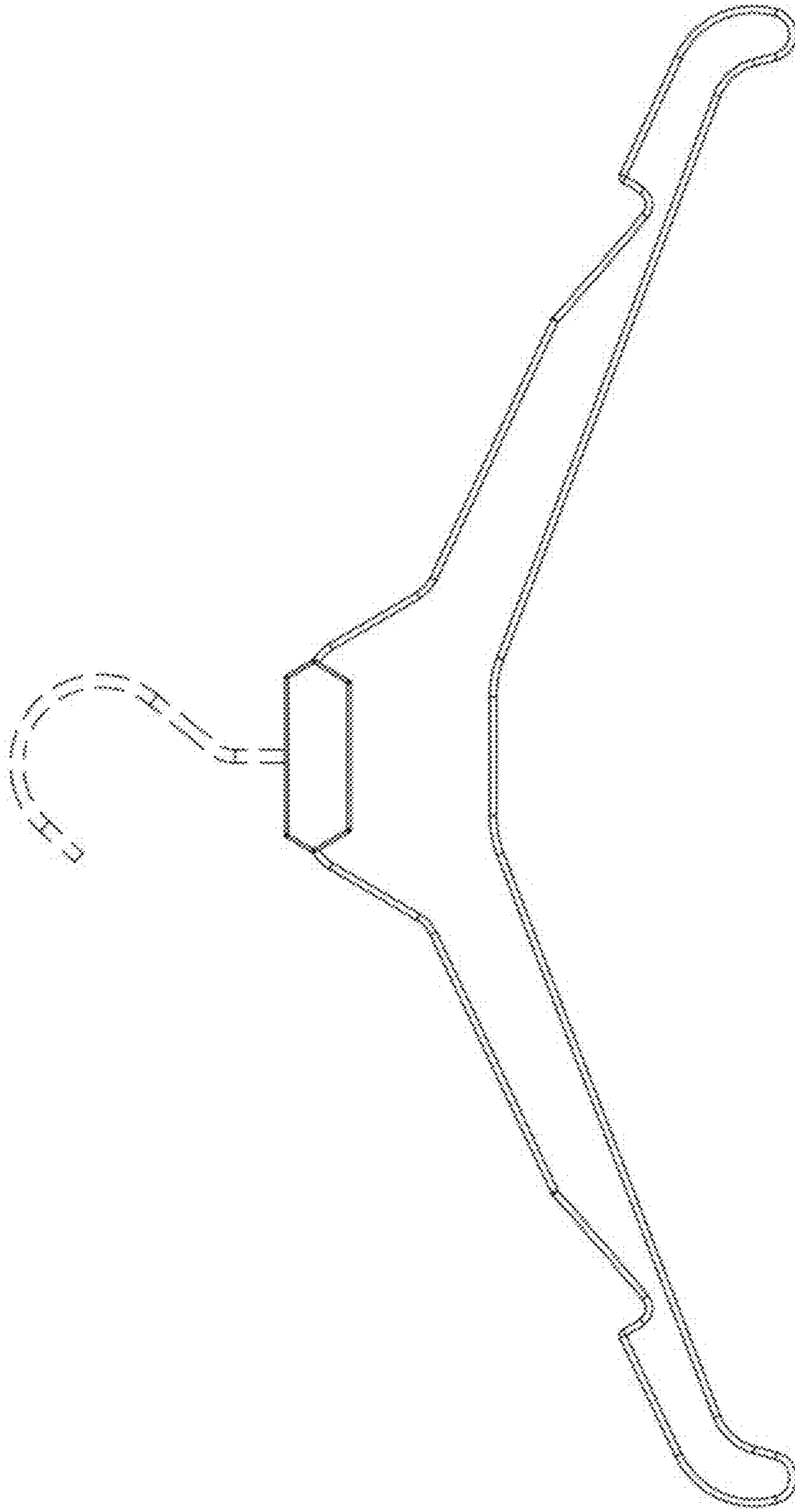


FIG. 1

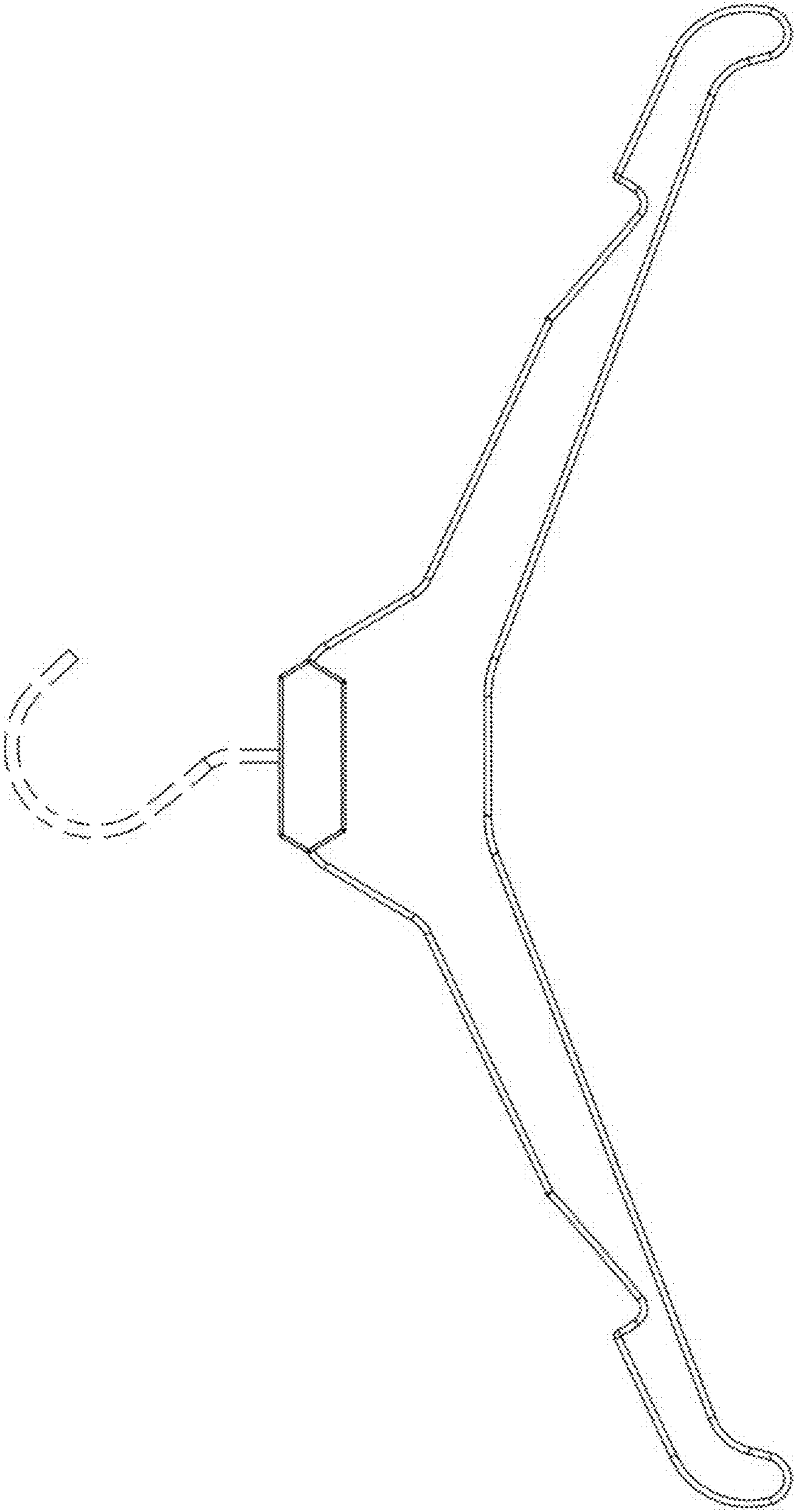


FIG. 2

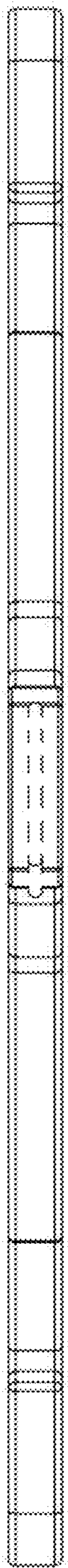


FIG. 3



FIG. 4



FIG. 6



FIG. 5