



US00D964048S

(12) **United States Design Patent**
Yang et al.

(10) **Patent No.:** **US D964,048 S**

(45) **Date of Patent:** **** Sep. 20, 2022**

(54) MIRROR	2,763,186 A * 9/1956 Barlow A47G 1/04 359/854
(71) Applicant: DONGGUAN POWERME TECH. CO., LTD , Dongguan (CN)	D182,390 S * 3/1958 Snider et al. D3/901 D241,800 S * 10/1976 Johnson et al. D6/301 D267,174 S * 12/1982 Fox D14/254 D330,807 S * 11/1992 Granzow D6/301 D370,129 S * 5/1996 Freudenfeld D6/312 6,347,876 B1 * 2/2002 Burton A45D 42/10 362/141
(72) Inventors: Guowei Yang , Dongguan (CN); Guoxiang Yang , Dongguan (CN)	D552,851 S * 10/2007 Abrahamian D6/301 D572,024 S * 7/2008 Shapiro D6/301 8,393,749 B1 * 3/2013 Daicos A47G 1/04 359/865
(73) Assignee: DONGGUAN POWERME TECH. CO., LTD , Dongguan (CN)	
(**) Term: 15 Years	

(Continued)

(21) Appl. No.: **29/840,981**

Primary Examiner — Deanna L Pratt

(22) Filed: **Jun. 2, 2022**

(57) **CLAIM**

The ornamental design for a mirror, as shown and described.

Related U.S. Application Data

(63) Continuation-in-part of application No. 29/816,851, filed on Nov. 25, 2021.

(51) **LOC (13) Cl.** **06-07**

(52) **U.S. Cl.**
USPC **D6/301**

(58) **Field of Classification Search**
USPC D6/300–314
CPC A47G 1/06; A47G 1/065
See application file for complete search history.

DESCRIPTION

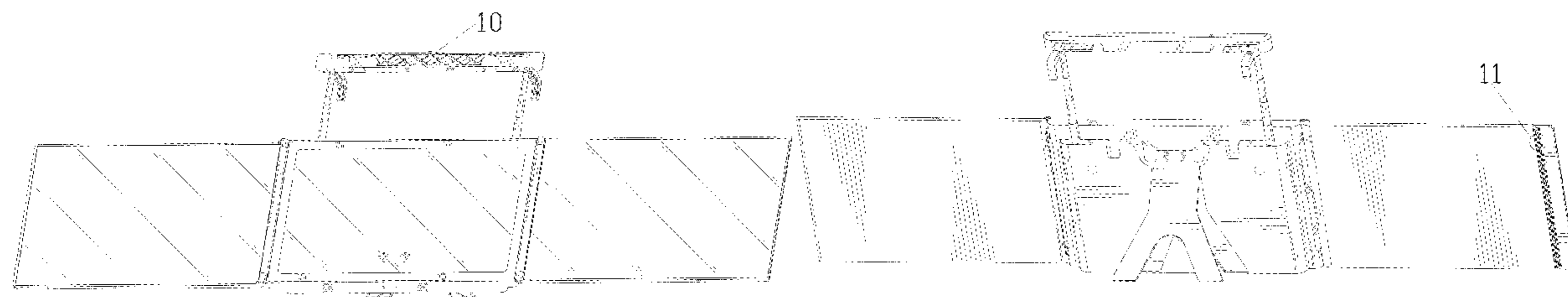
FIG. 1 is a perspective view of a mirror showing our new design;
 FIG. 2 is another perspective view thereof;
 FIG. 3 is a front elevational view thereof;
 FIG. 4 is a rear elevational view thereof;
 FIG. 5 is a left side elevational view thereof;
 FIG. 6 is a right side elevational view thereof;
 FIG. 7 is a top plan view thereof;
 FIG. 8 is a bottom plan view thereof;
 FIG. 9 is a perspective view of the mirror where the mirror is in a folded state;
 FIG. 10 is an enlarged view of portion 10 shown in FIG. 1; and,
 FIG. 11 is an enlarged view of portion 11 shown in FIG. 2.
 The dash-dash broken lines in the drawings depict portions of the mirror that form no part of the claimed design. The dot-dash broken lines represent boundaries of the enlarged portions and form no part of the claimed design.

(56) **References Cited**

U.S. PATENT DOCUMENTS

1,859,592 A * 5/1932 Marchand A47G 1/04 D26/56
2,140,069 A * 12/1938 Bostwick A45D 42/00 292/256.73
2,201,251 A * 5/1940 Van Patten A45D 42/10 D26/56
2,687,674 A * 8/1954 Cleve A45D 42/16 359/860
D177,003 S * 3/1956 Barlow D6/301

1 Claim, 11 Drawing Sheets



(56)

References Cited

U.S. PATENT DOCUMENTS

D865,374	S	11/2019	Yang	
D877,520	S *	3/2020	Estores	D6/301
D905,442	S	12/2020	Yang	
D919,308	S *	5/2021	Yang	D6/301
D934,577	S *	11/2021	Liu	D6/301
D942,760	S *	2/2022	Cui	D6/302
D947,550	S *	4/2022	Li	D6/301
2018/0199737	A1 *	7/2018	Welch	A47G 1/1686
2019/0328113	A1 *	10/2019	Long	A45D 42/16

* cited by examiner

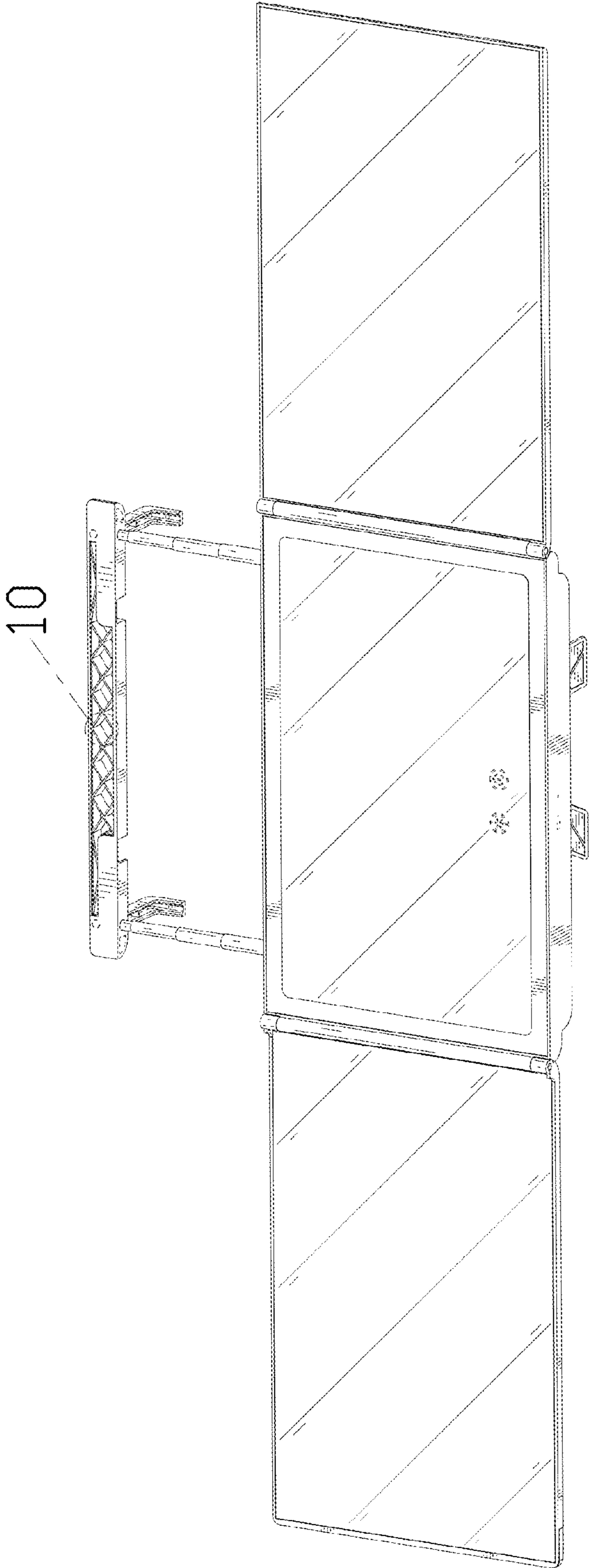


FIG. 1

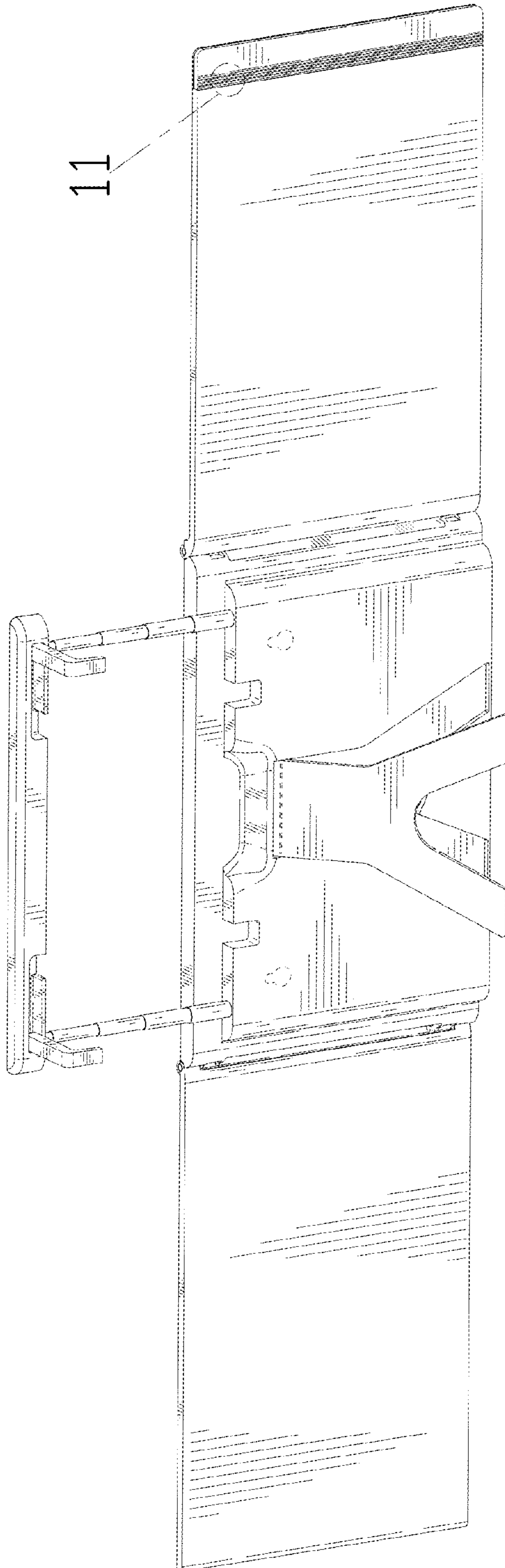


FIG. 2

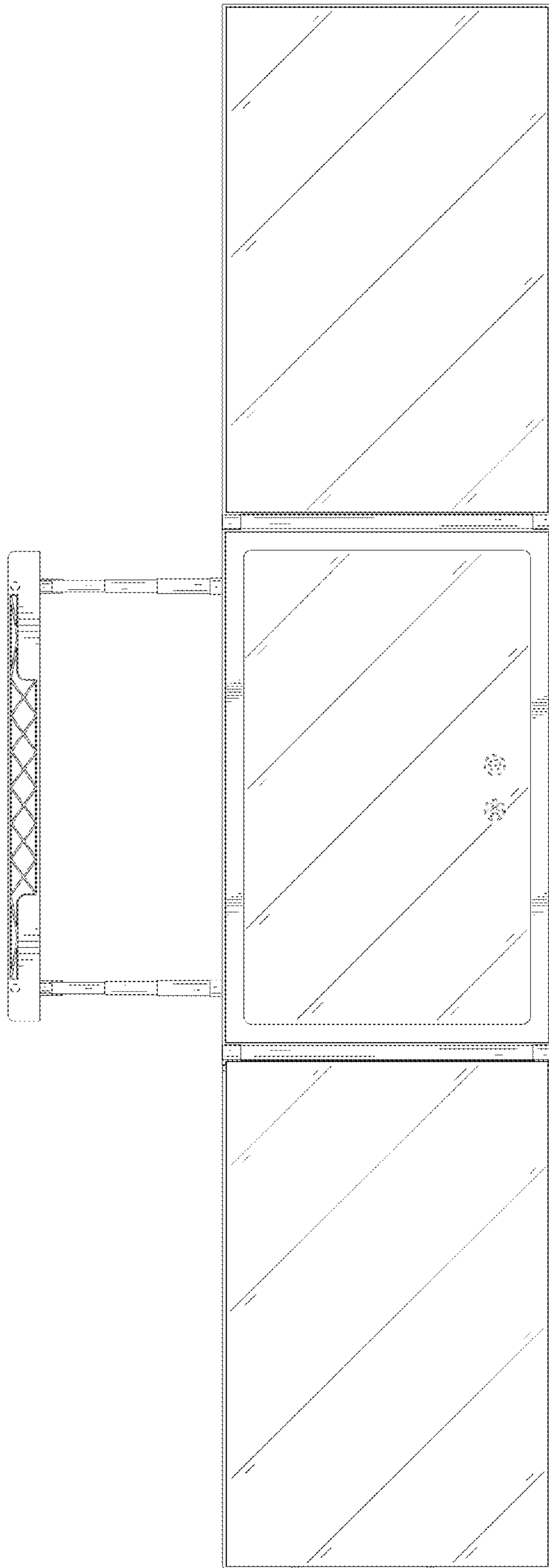


FIG. 3

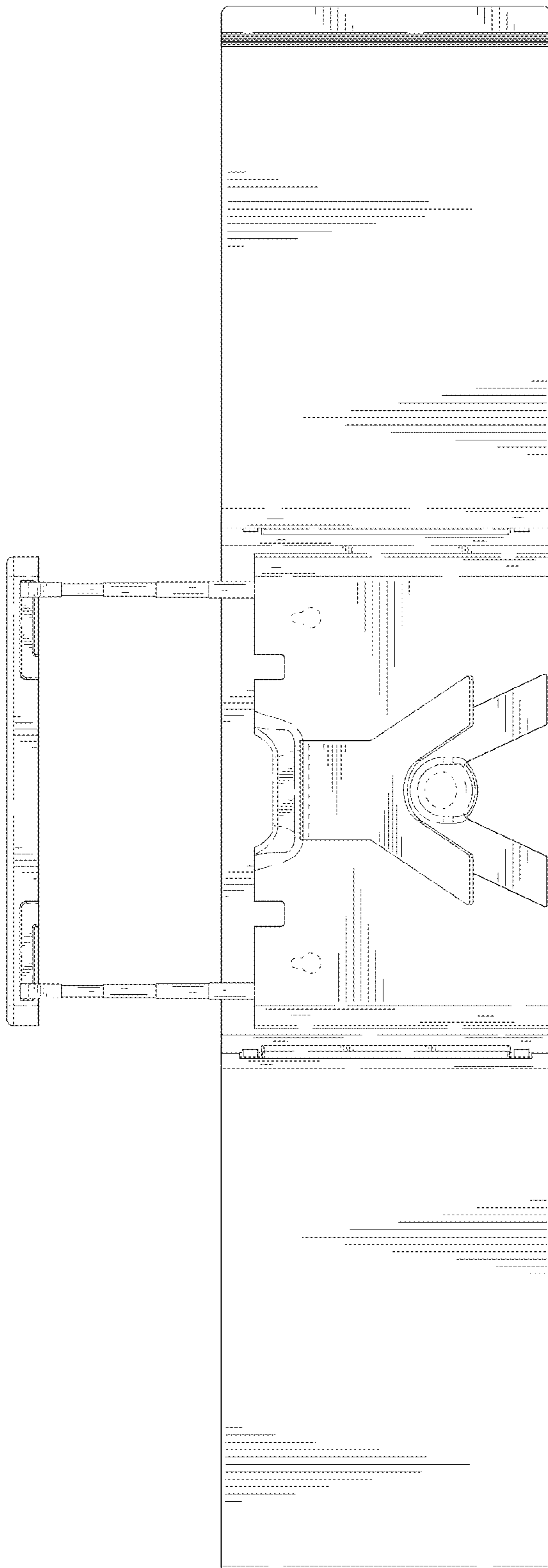


FIG. 4

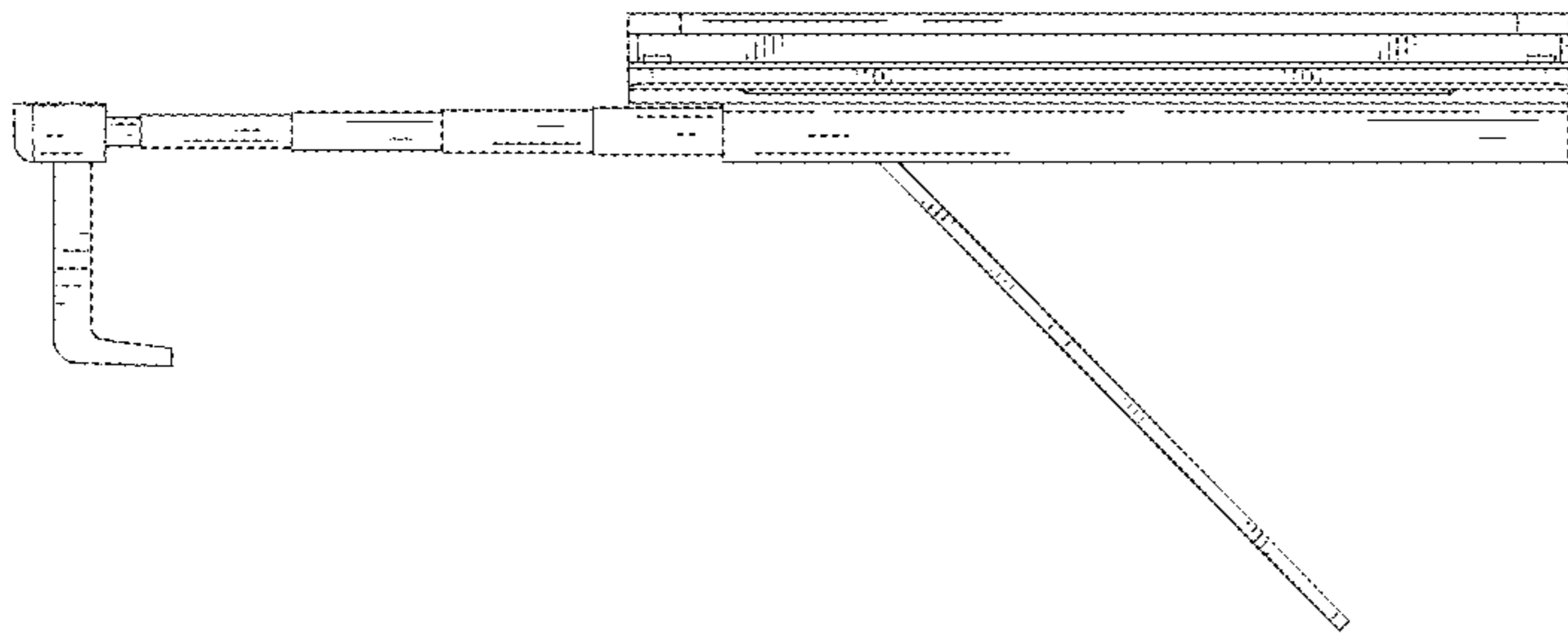


FIG. 5

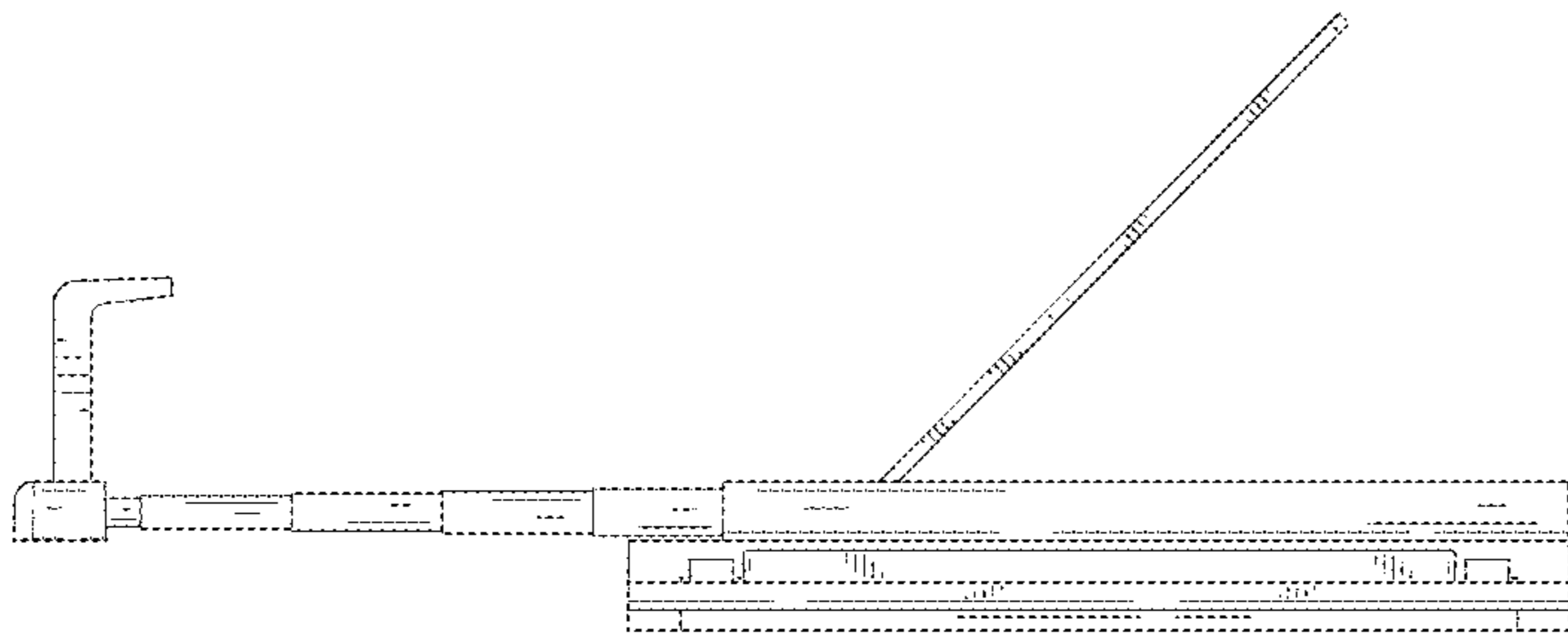


FIG. 6

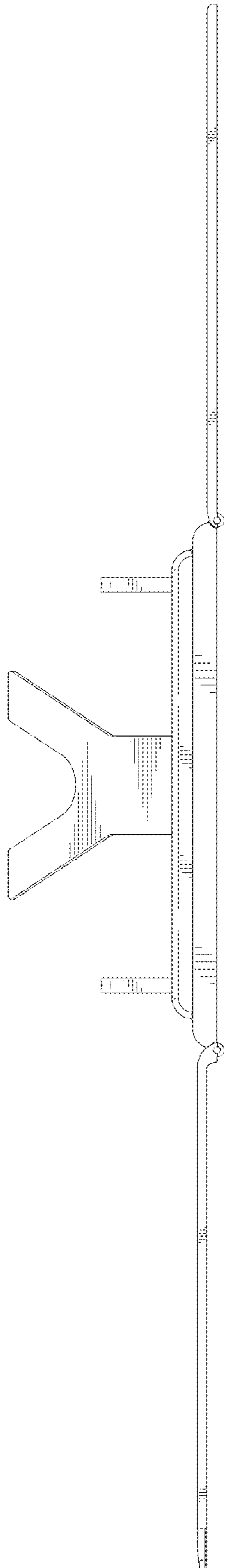


FIG. 7

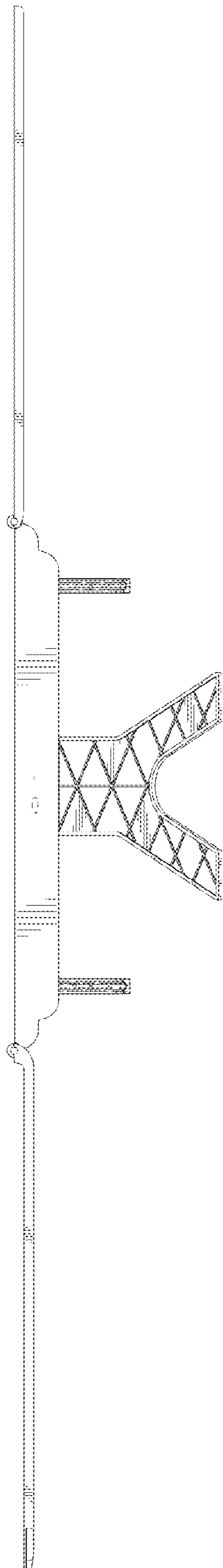


FIG. 8

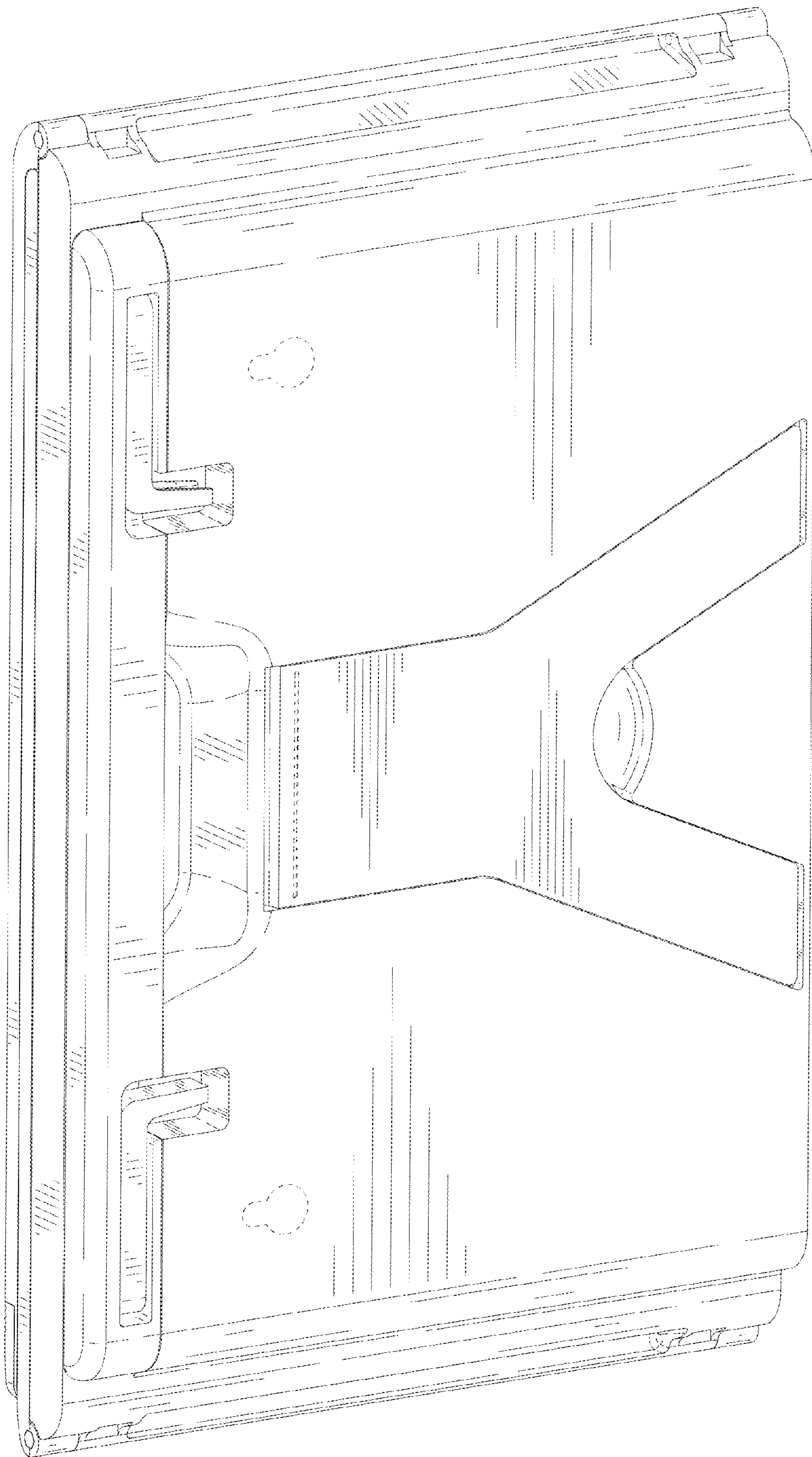


FIG. 9

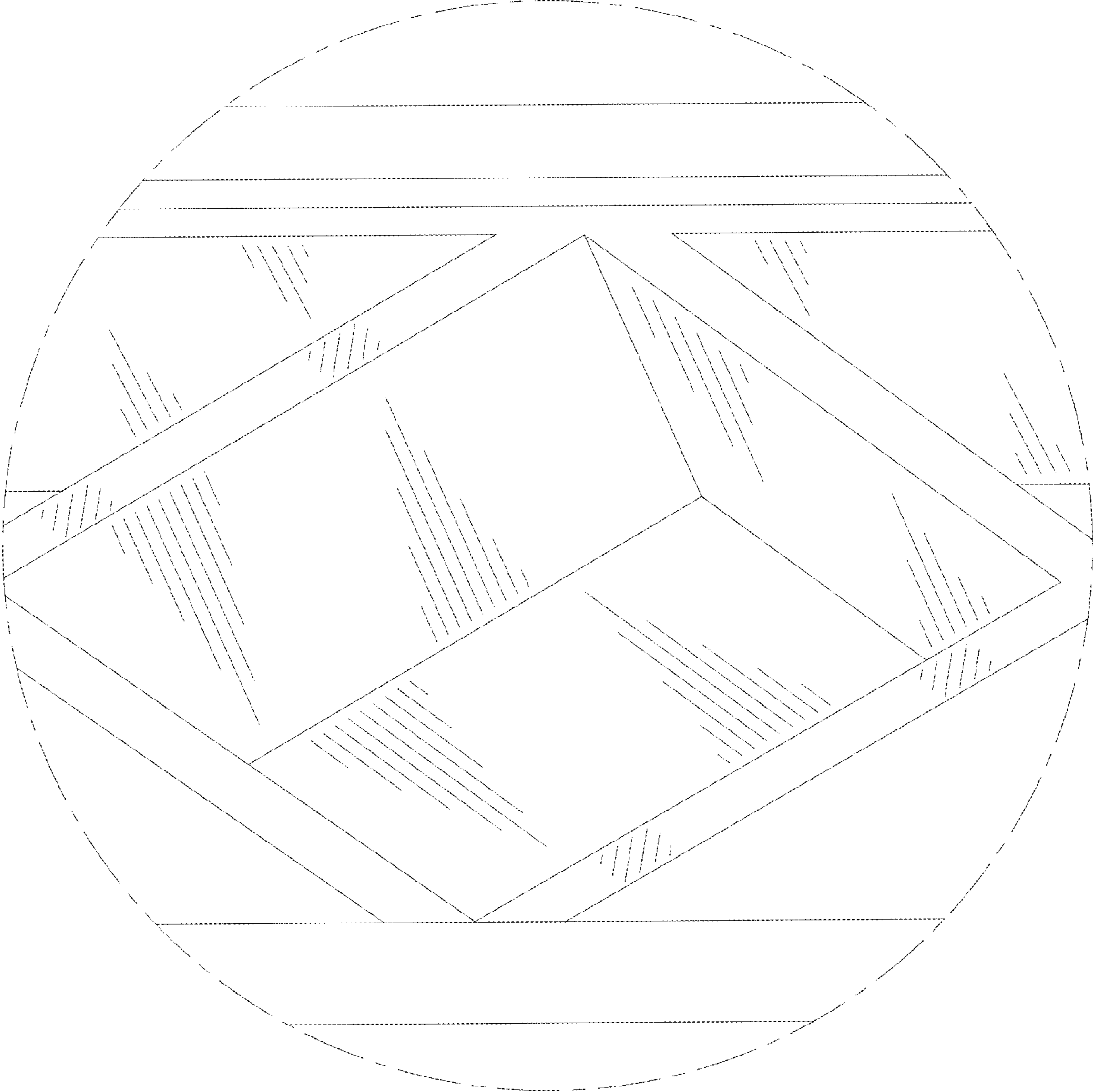


FIG. 10

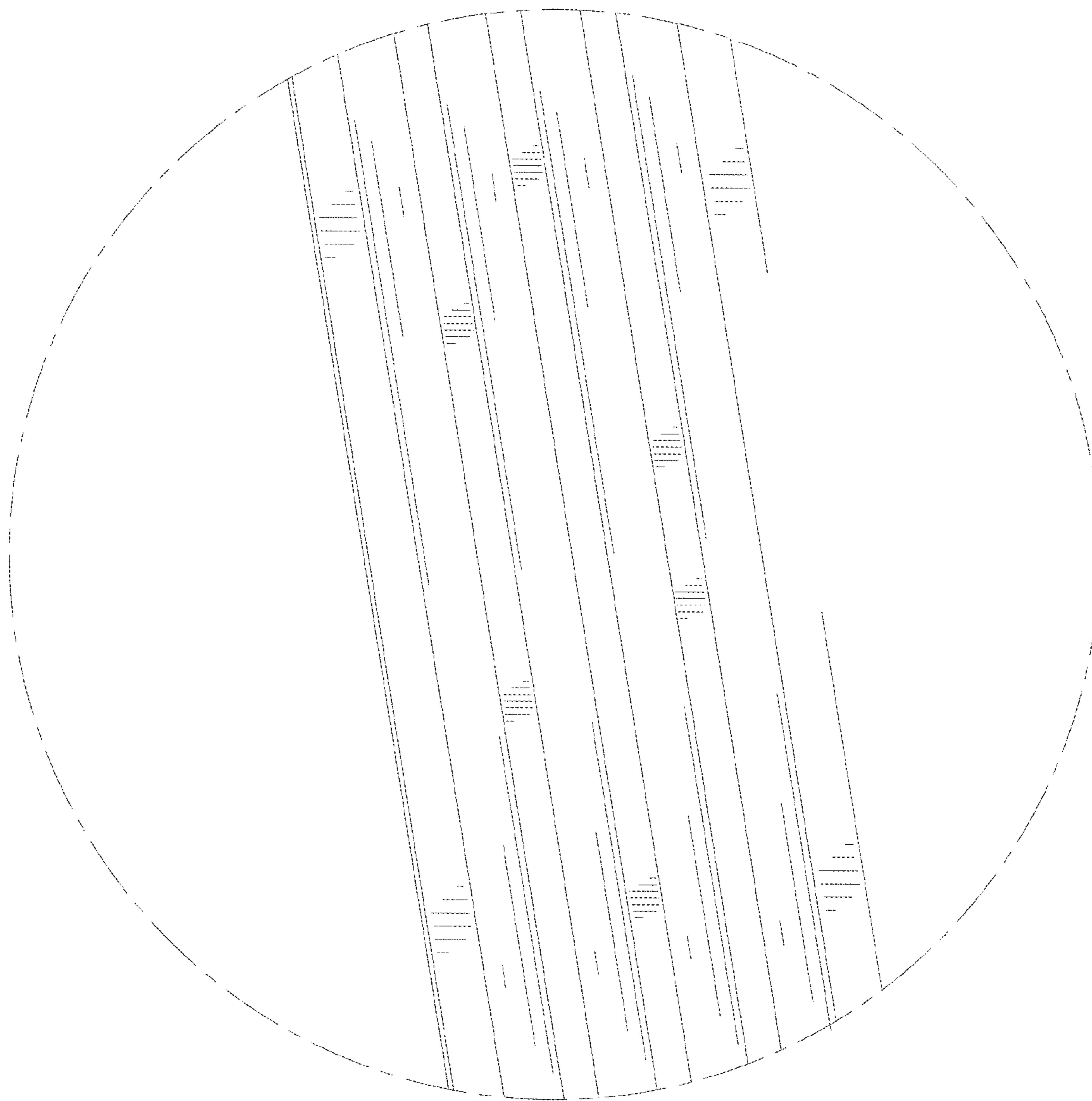


FIG. 11