



US00D964047S

(12) **United States Design Patent**
Yang et al.

(10) **Patent No.:** **US D964,047 S**

(45) **Date of Patent:** **** Sep. 20, 2022**

- (54) **MAKEUP MIRROR**
- (71) Applicant: **DONGGUAN POWERME PLASTIC MFG. CO., LTD.**, Dongguan (CN)
- (72) Inventors: **Guoxiang Yang**, Dongguan (CN);
Guowei Yang, Dongguan (CN)
- (73) Assignee: **DONGGUAN POWERME PLASTIC MFG. CO., LTD.**, Dongguan (CN)
- (**) Term: **15 Years**

- D330,807 S * 11/1992 Granzow D6/301
- D370,129 S * 5/1996 Freudenfeld D6/312
- 6,347,876 B1 * 2/2002 Burton A45D 42/10
362/141
- D552,851 S * 10/2007 Abrahamian D6/301
- D572,024 S * 7/2008 Shapiro D6/301
- 8,393,749 B1 * 3/2013 Daicos A47G 1/04
359/865
- D812,384 S 3/2018 Zhu
- D877,520 S * 3/2020 Estores D6/301
- D880,171 S 4/2020 Yang
- D919,308 S * 5/2021 Yang D6/301
- D934,577 S * 11/2021 Liu D6/301
- D942,760 S * 2/2022 Cui D6/302
- D947,550 S * 4/2022 Li D6/301

(Continued)

- (21) Appl. No.: **29/816,851**
- (22) Filed: **Nov. 25, 2021**
- (51) **LOC (13) Cl.** **06-07**
- (52) **U.S. Cl.**
USPC **D6/301**
- (58) **Field of Classification Search**
USPC D6/300–314
CPC A47G 1/06; A47G 1/065
See application file for complete search history.

Primary Examiner — Deanna L Pratt

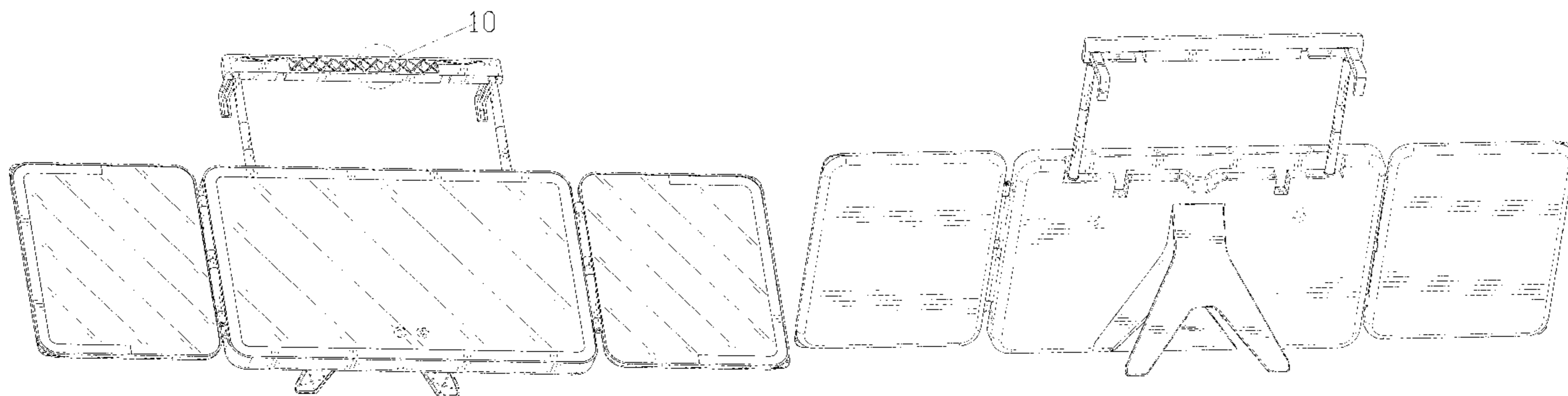
(57) **CLAIM**

The ornamental design for a makeup mirror, as shown and described.

DESCRIPTION

FIG. 1 is a perspective view of a makeup mirror showing my new design;
 FIG. 2 is another perspective view thereof;
 FIG. 3 is a front elevational view thereof;
 FIG. 4 is a rear elevational view thereof;
 FIG. 5 is a left side elevational view thereof;
 FIG. 6 is a right side elevational view thereof;
 FIG. 7 is a top plan view thereof;
 FIG. 8 is a bottom plan view thereof;
 FIG. 9 is a perspective view of the makeup mirror where the makeup mirror is in a folded state; and,
 FIG. 10 is an enlarged view of portion 10 shown in FIG. 1.
 The dash-dash broken lines in the drawings depict portions of the makeup mirror that form no part of the claimed design. The dot-dash broken lines represent the boundary of the enlarged portion and form no part of the claimed design.

1 Claim, 10 Drawing Sheets



(56)

References Cited

U.S. PATENT DOCUMENTS

2018/0199737 A1* 7/2018 Welch A47G 1/1686
2019/0328113 A1* 10/2019 Long A45D 42/16

* cited by examiner

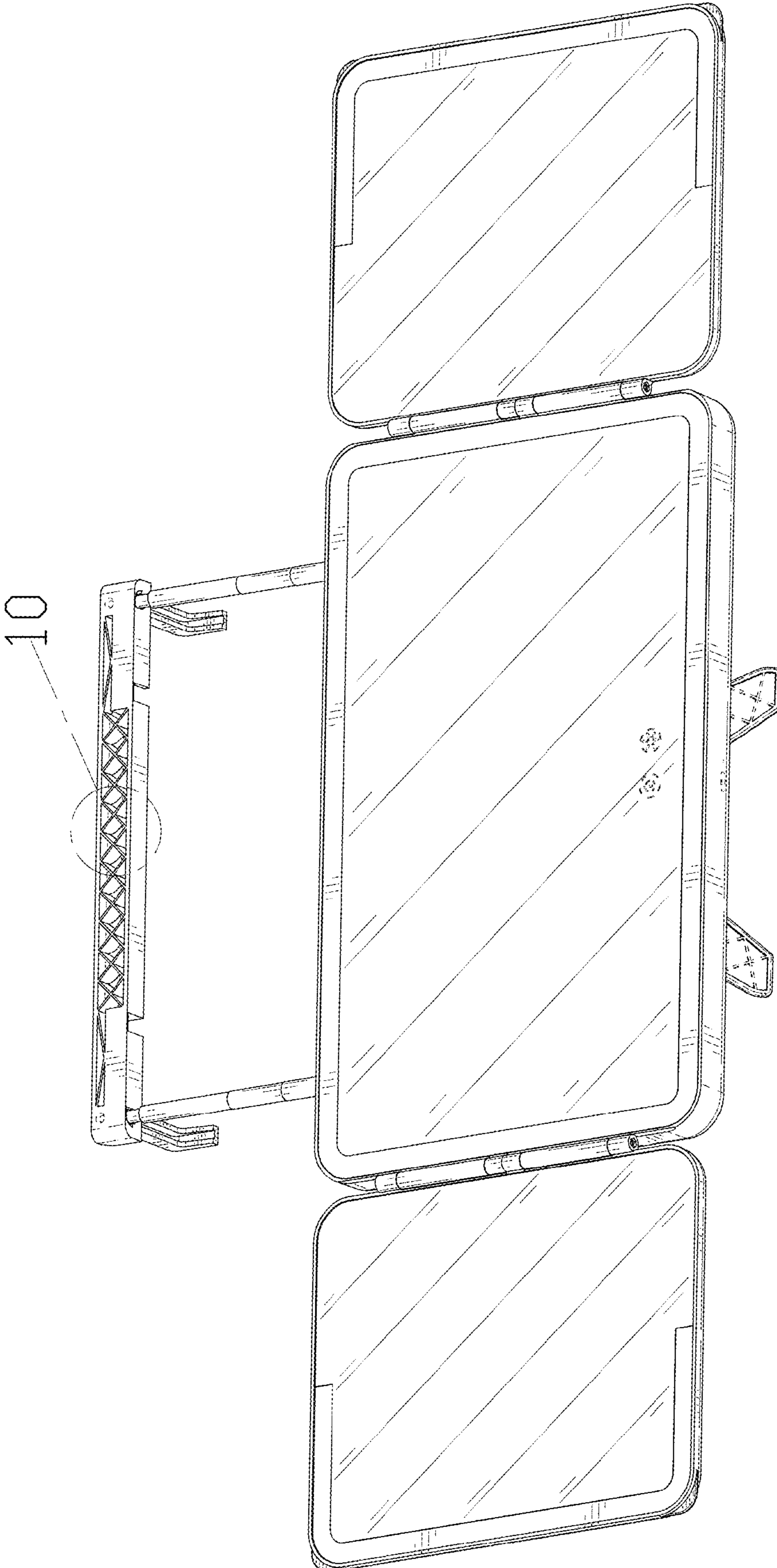


FIG. 1

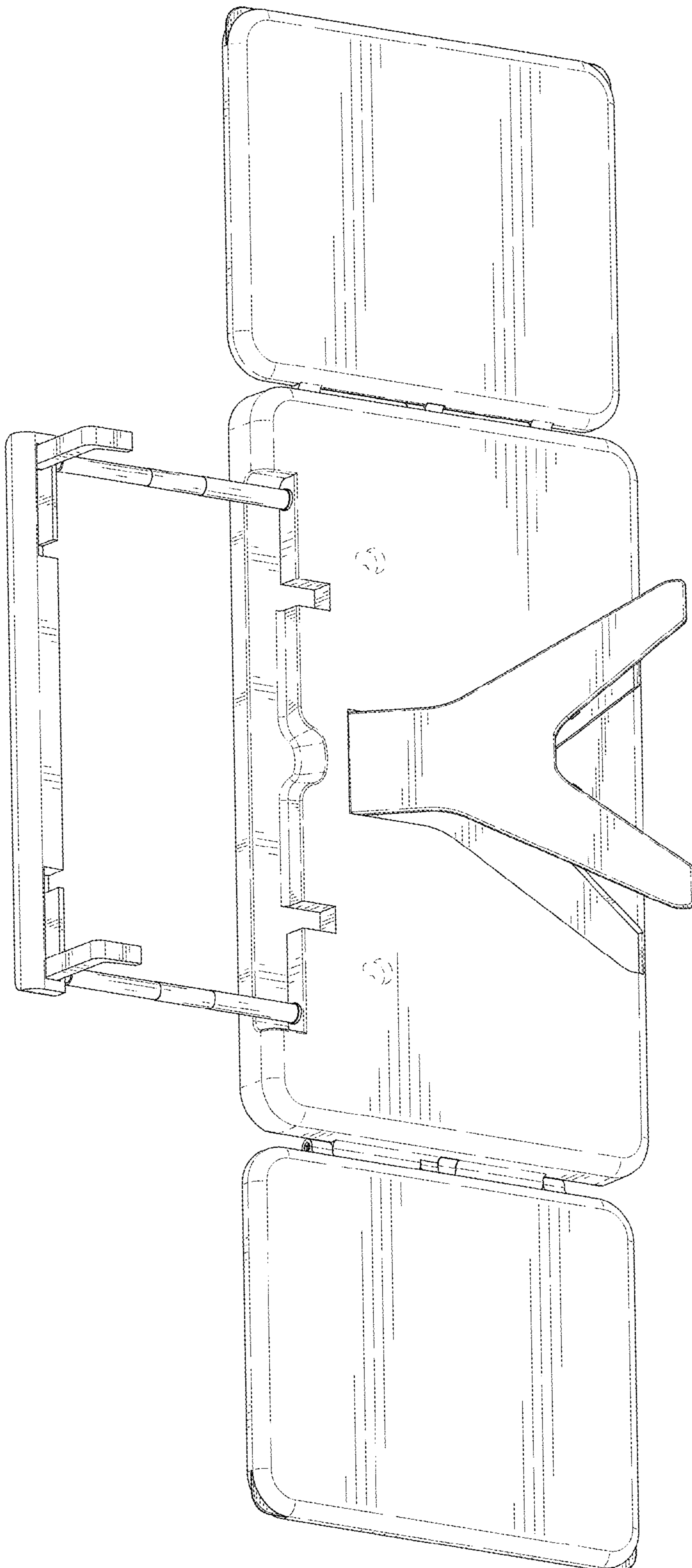


FIG. 2

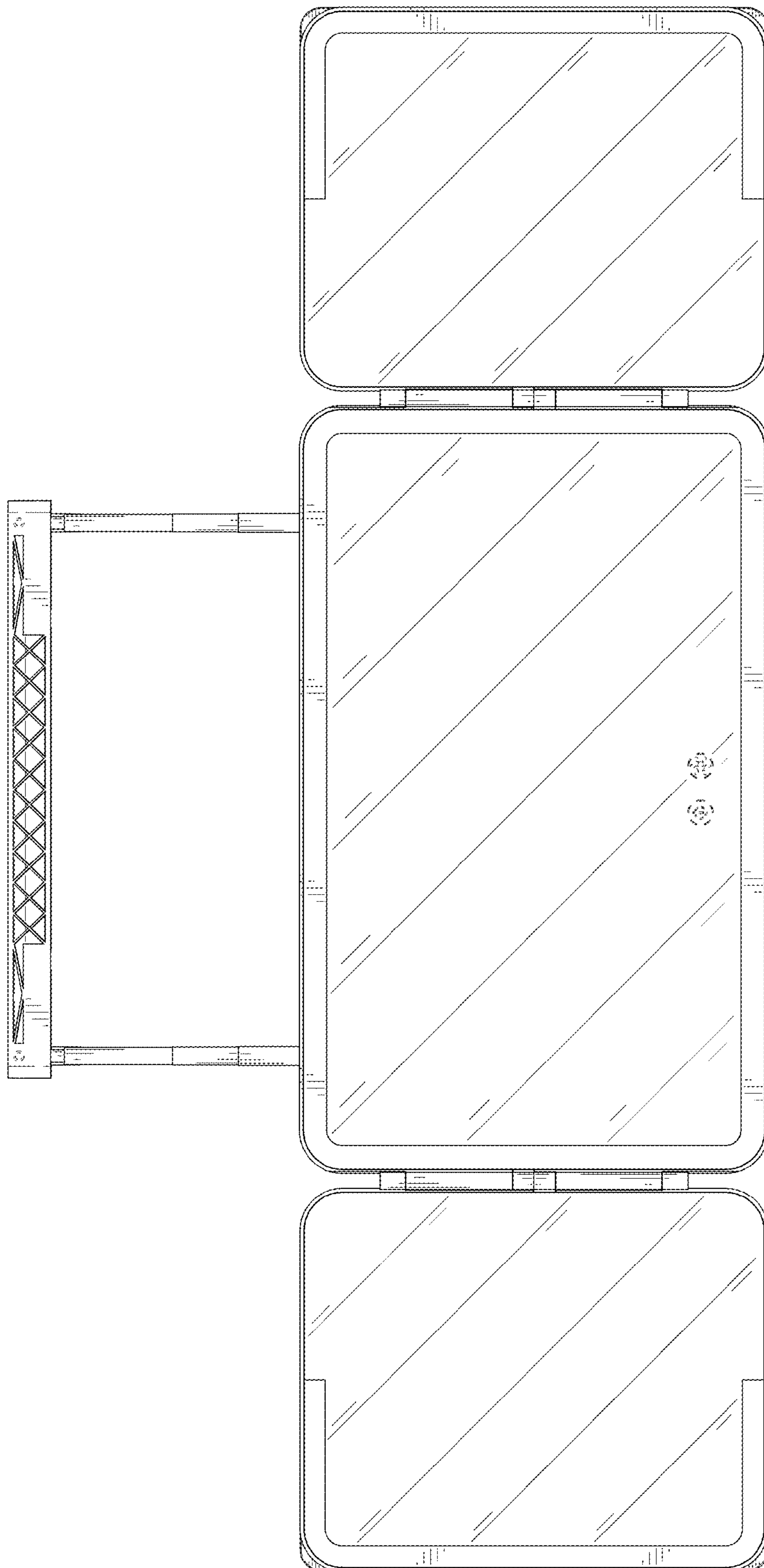


FIG. 3

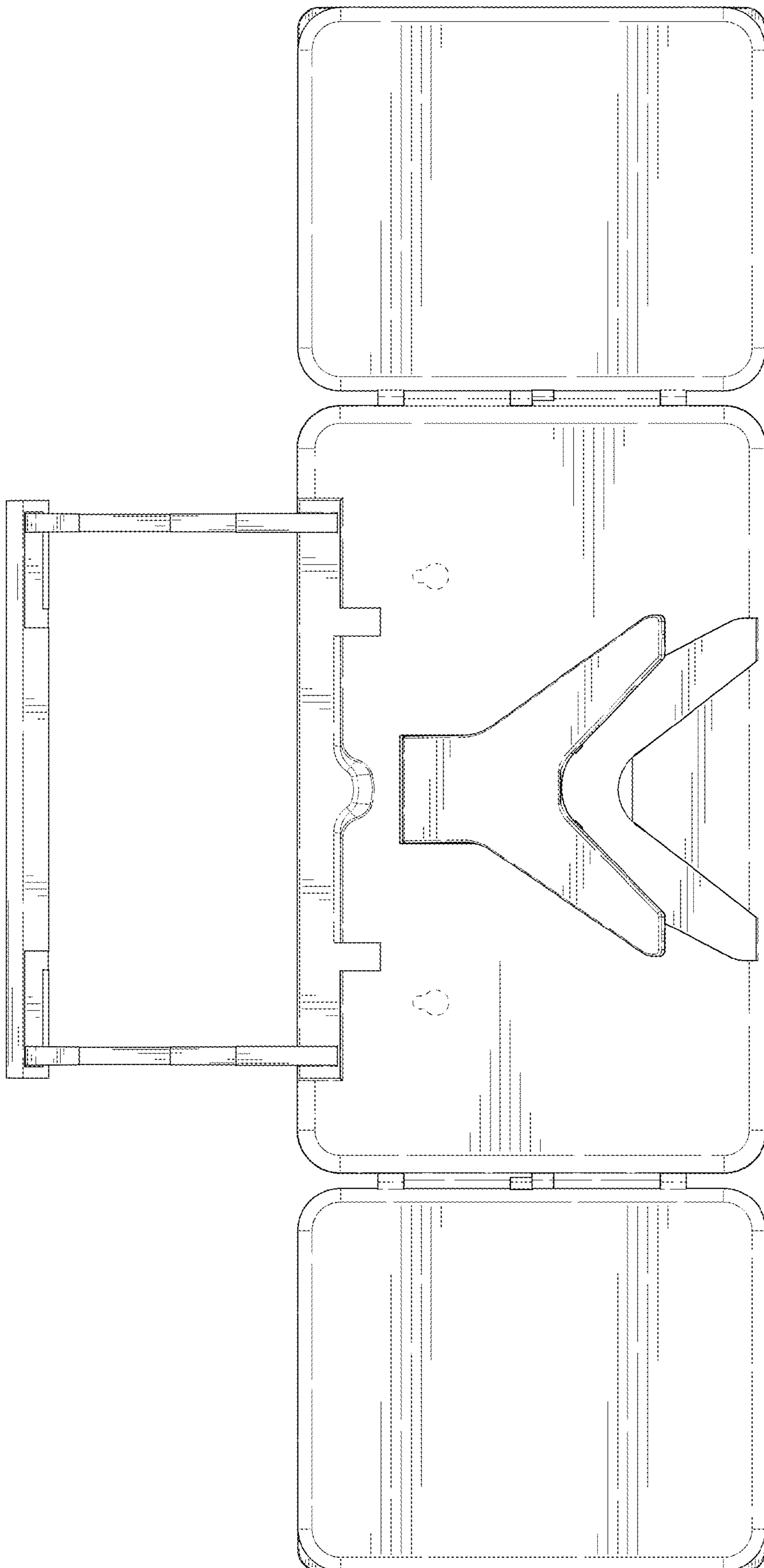


FIG. 4

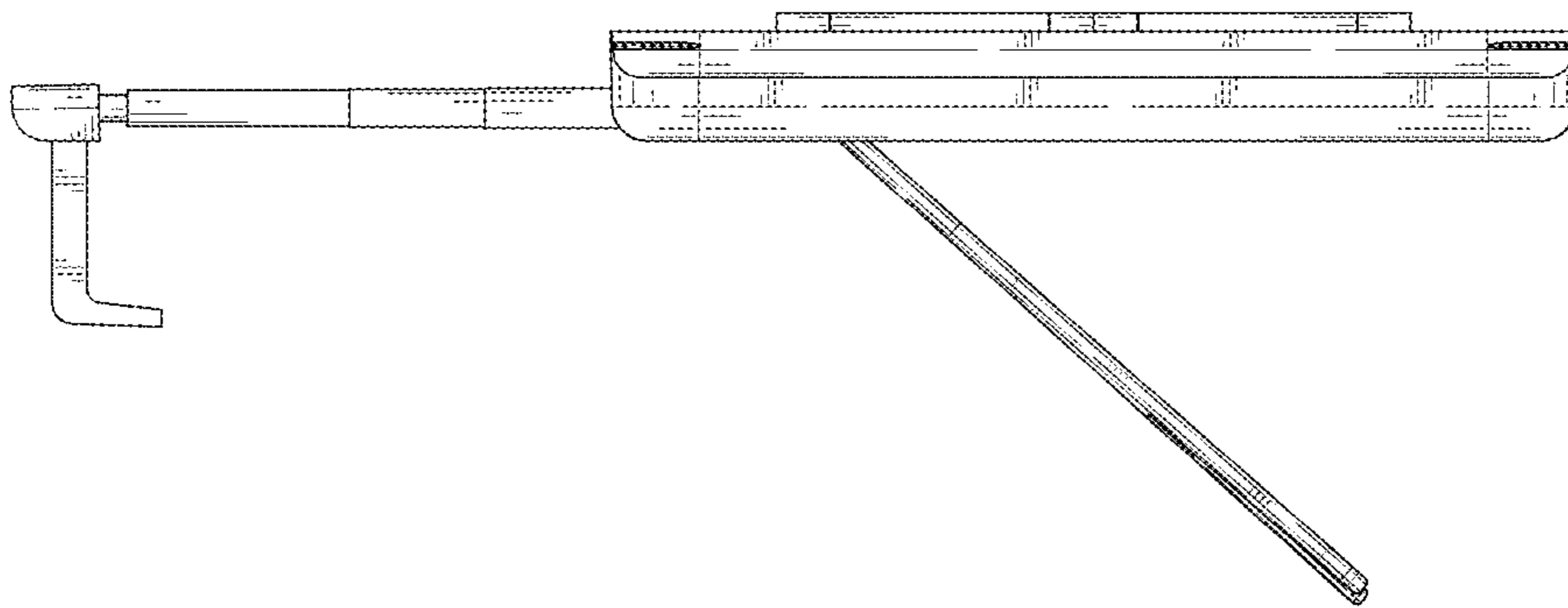


FIG. 5

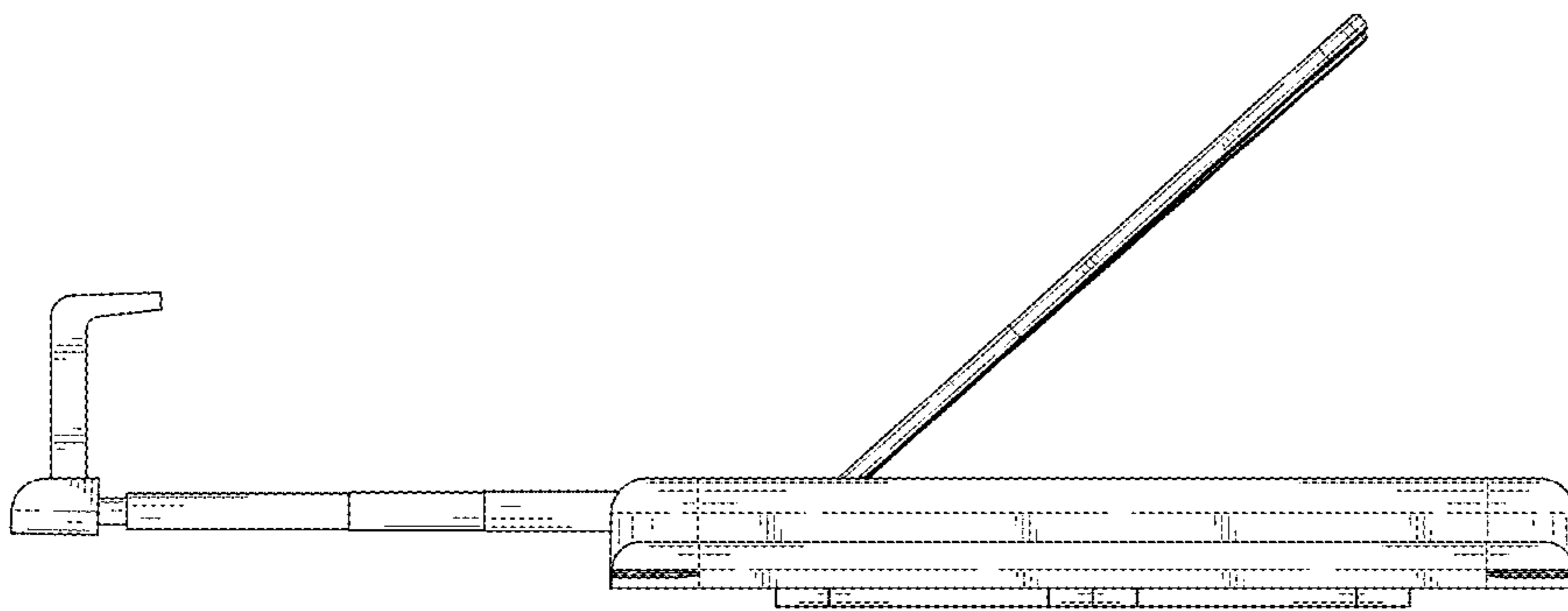


FIG. 6

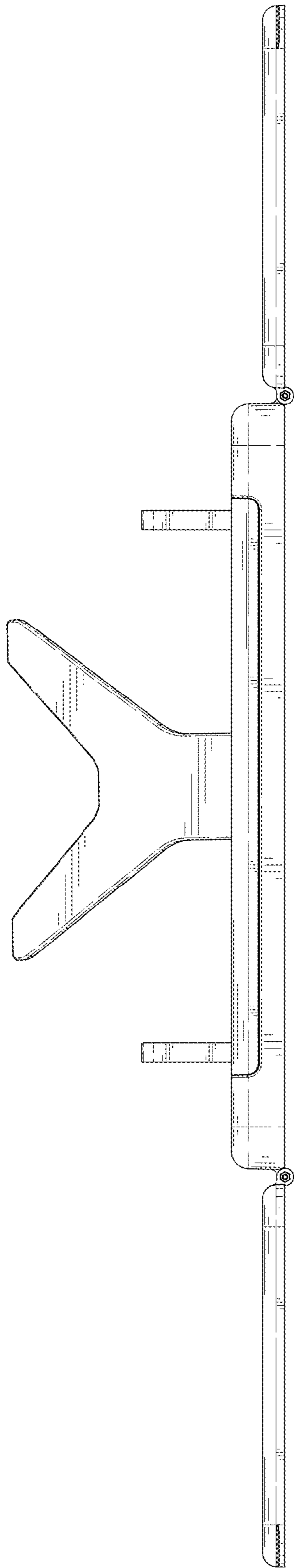


FIG. 7

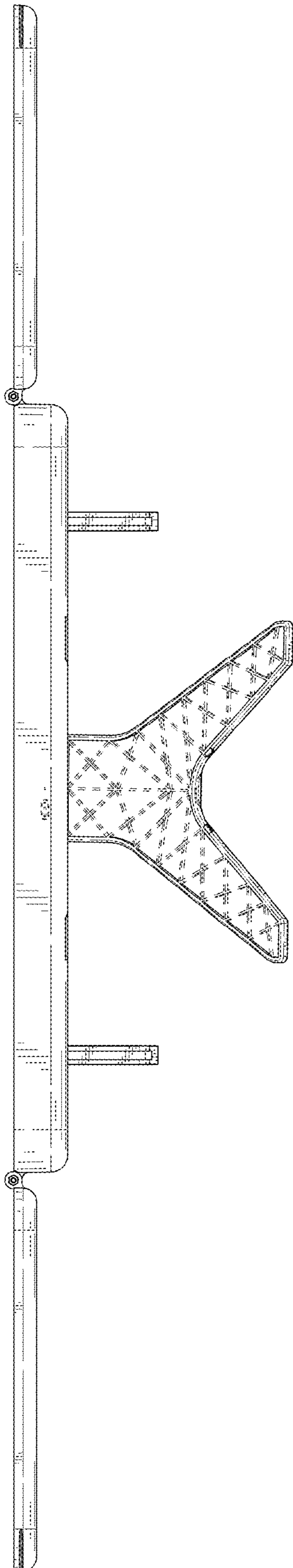


FIG. 8

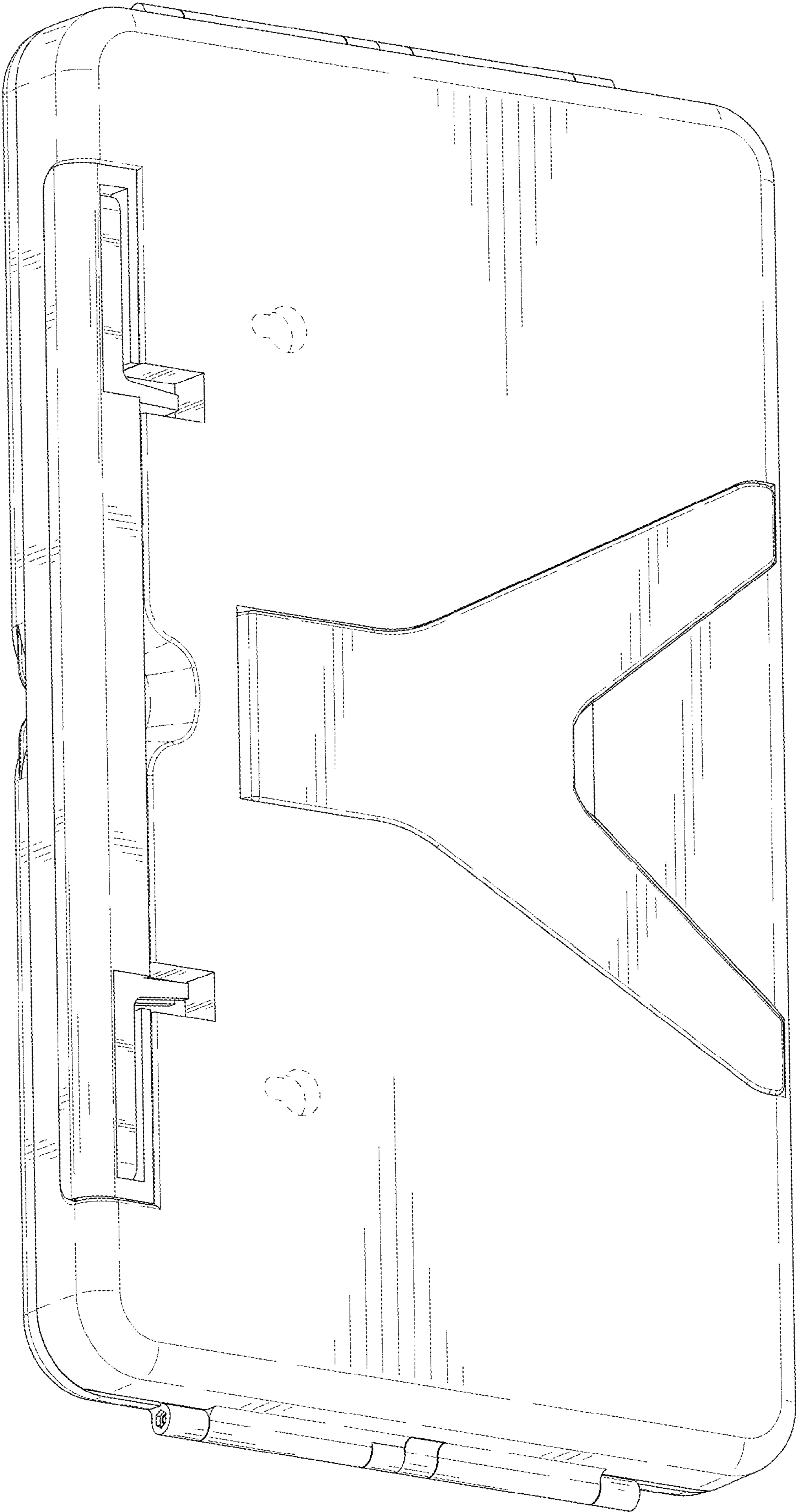


FIG. 9

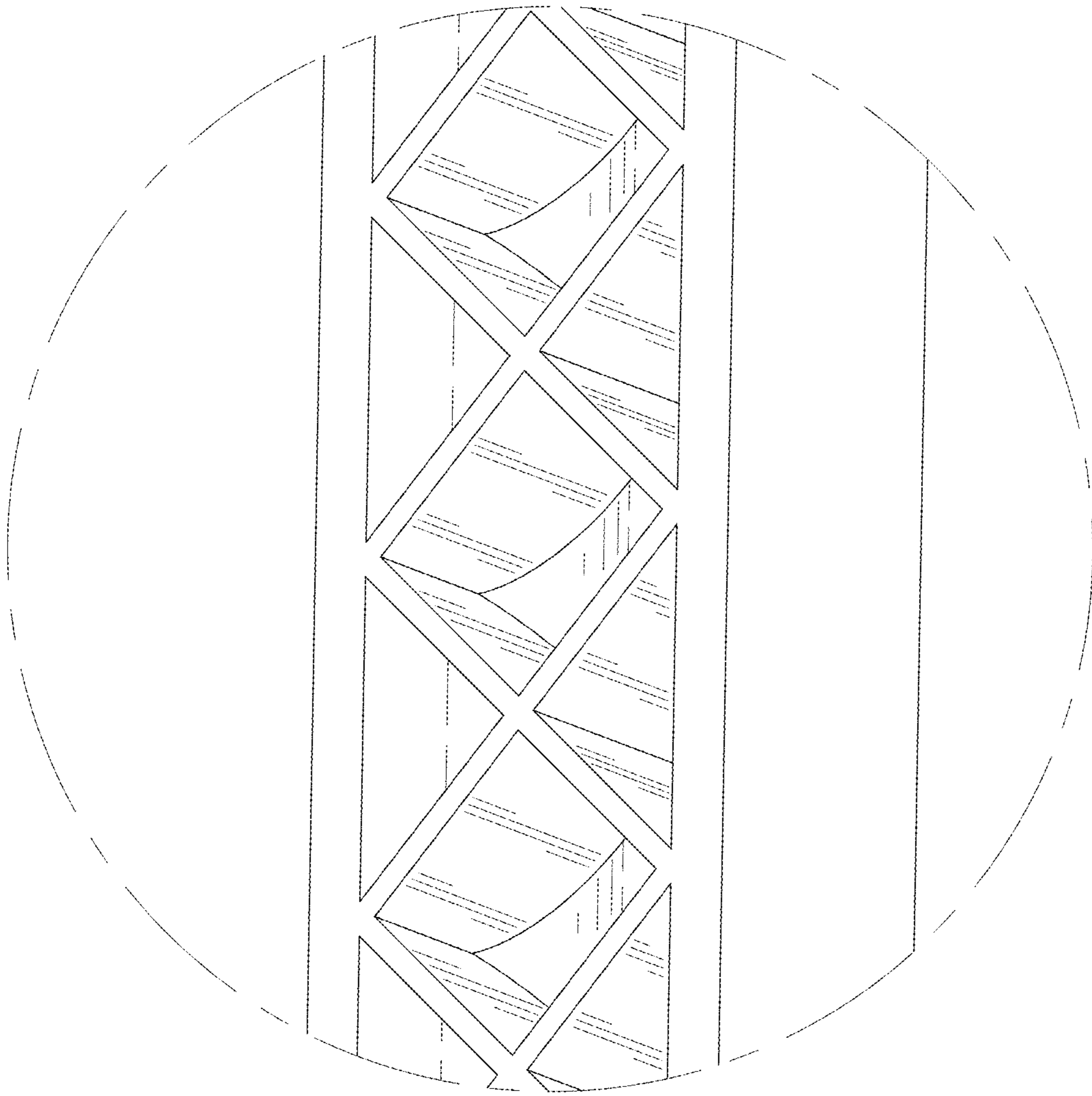


FIG. 10