

US00D964044S

(12) **United States Design Patent** (10) **Patent No.:** **US D964,044 S**
Russo (45) **Date of Patent:** **** Sep. 20, 2022**

(54) **BRUSH**

(71) Applicant: **J & D Brush Co., LLC**, Commack, NY (US)

(72) Inventor: **Melissa Russo**, Commack, NY (US)

(73) Assignee: **J & D Brush Co., LLC**, Commack, NY (US)

(**) Term: **15 Years**

(21) Appl. No.: **29/744,144**

(22) Filed: **Jul. 27, 2020**

(51) **LOC (13) Cl.** **04-02**

(52) **U.S. Cl.**
USPC **D4/138; D4/134**

(58) **Field of Classification Search**
USPC D4/100, 102, 114, 115, 116, 117, 118,
D4/119, 120, 121, 127, 129, 130, 132,
(Continued)

(56) **References Cited**

U.S. PATENT DOCUMENTS

D140,997 S * 4/1945 Gronemeyer D4/138
D168,917 S * 2/1953 Snyder D4/136
(Continued)

FOREIGN PATENT DOCUMENTS

EM 008210629-0003 * 11/2020
EM 008483432-0002 * 4/2021

OTHER PUBLICATIONS

So Eco Detangling Leaf Hair Brush by So Eco [on-line]. [Date of original publication unknown.] [Retrieved from the Internet on Jun. 17, 2022.] URL: <<https://us.lookfantastic.com/so-eco-detangling-leaf-hair-brush/12328585.html>> (Year: 2022).*

(Continued)

Primary Examiner — Karen E Eldridge Powers

(74) *Attorney, Agent, or Firm* — Gloria Tsui-Yip; Gottlieb, Rackman & Reisman, P.C.

(57) **CLAIM**

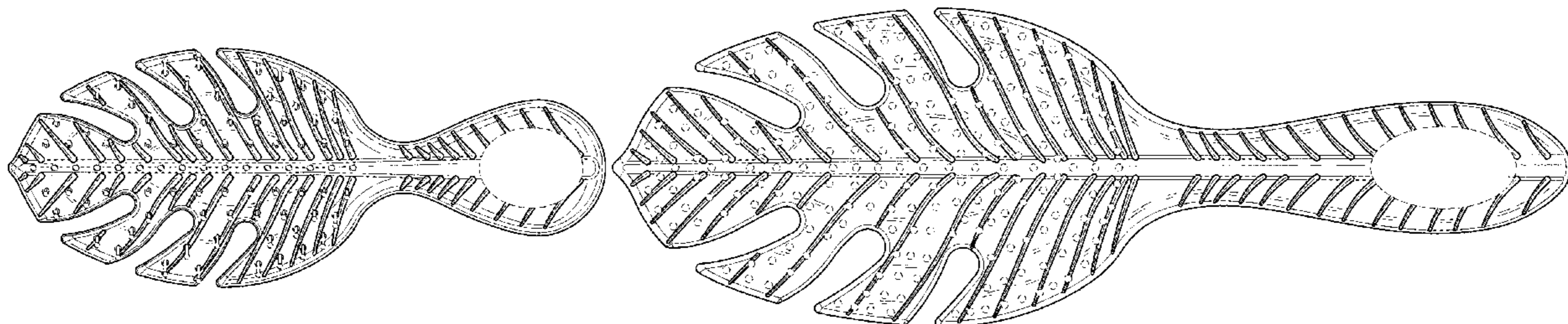
The ornamental design for a brush, as shown and described.

DESCRIPTION

FIG. 1 is a top, front and left side perspective view of a first embodiment of the brush of my new design;
FIG. 2 is a left side elevational view thereof;
FIG. 3 is a top plan view thereof;
FIG. 4 is a right side elevational view thereof;
FIG. 5 is a bottom plan view thereof;
FIG. 6 is a front elevational view thereof;
FIG. 7 is a rear elevational view thereof;
FIG. 8 is a bottom, rear and right side perspective view thereof;
FIG. 9 is a top, front and left side perspective view of a second embodiment of the brush of my new design;
FIG. 10 is a left side elevational view thereof;
FIG. 11 is a top plan view thereof;
FIG. 12 is a right side elevational view thereof;
FIG. 13 is a bottom plan view thereof;
FIG. 14 is a front elevational view thereof;
FIG. 15 is a rear elevational view thereof;
FIG. 16 is a bottom, rear and right side perspective view thereof;
FIG. 17 is a top, front and left side perspective view of a third embodiment of the brush of my new design;
FIG. 18 is a left side elevational view thereof;
FIG. 19 is a top plan view thereof;
FIG. 20 is a right side elevational view thereof;
FIG. 21 is a bottom plan view thereof;
FIG. 22 is a front elevational view thereof;
FIG. 23 is a rear elevational view thereof; and
FIG. 24 is a bottom, rear and right side perspective view thereof.

The broken lines in the drawings depict portions of the brush that form no part of the claimed design.

1 Claim, 15 Drawing Sheets



(58) **Field of Classification Search**

USPC D4/134, 135, 136, 137, 138, 199, 124,
D4/125

CPC A46B 9/023; A46B 9/02; A46B 2200/104

See application file for complete search history.

(56) **References Cited**

U.S. PATENT DOCUMENTS

D178,920 S * 10/1956 Hutcheson D4/138
D840,696 S * 2/2019 Chen D4/134
D870,461 S * 12/2019 Robbins D4/134
D898,377 S * 10/2020 Long D4/134
10,905,229 B2 * 2/2021 Xu A46B 15/002
D940,393 S * 1/2022 Russo D28/30
D941,591 S * 1/2022 Russo D4/128

OTHER PUBLICATIONS

Go Green Mini Detangler—Pink by WestBrush [on-line]. [Date of original publication unknown.] [Retrieved from the Internet on Jun. 17, 2022.] URL: <<https://us.lookfantastic.com/wetbrush-go-green-mini-detangler-pink/12800075.html>> (Year: 2022).*

* cited by examiner

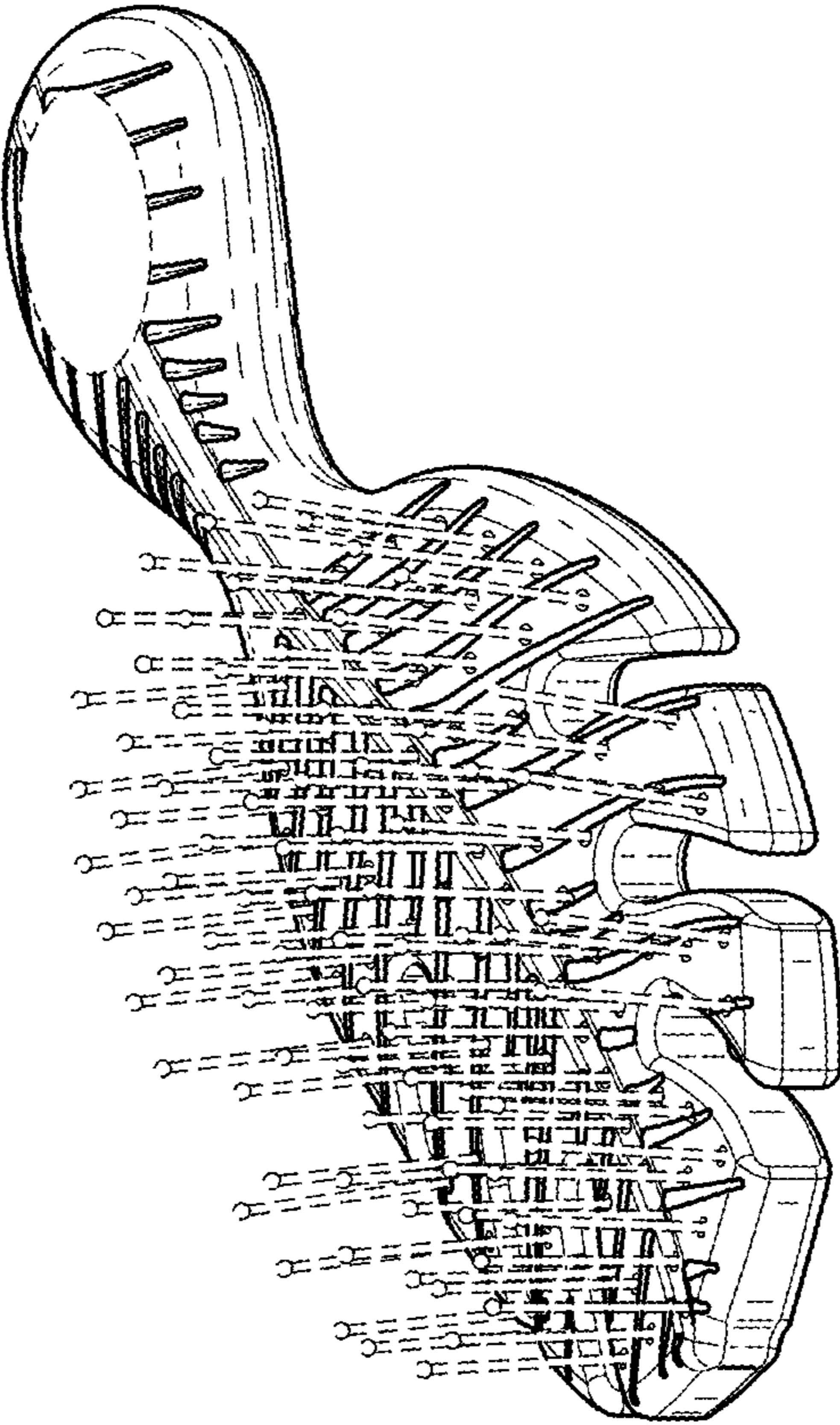


FIG.1

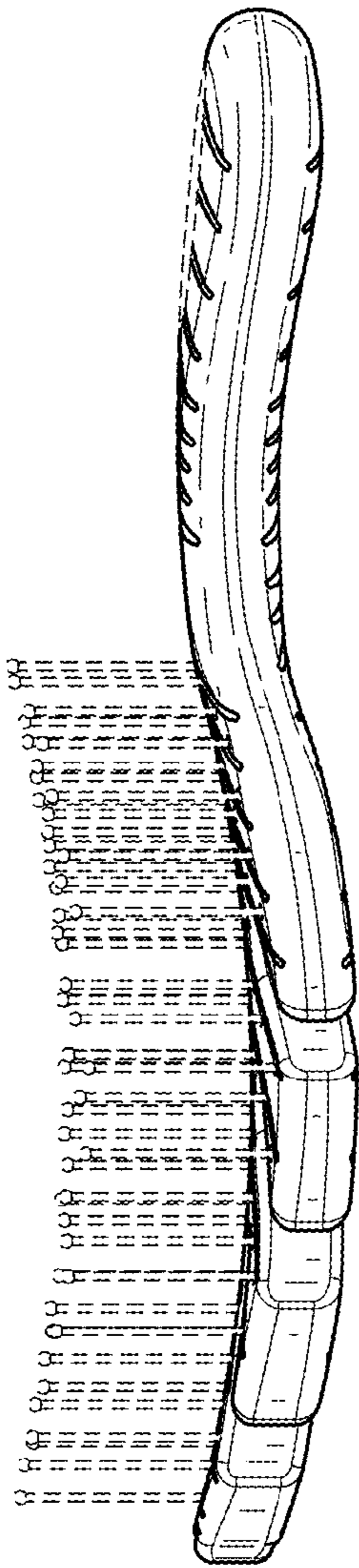


FIG. 2

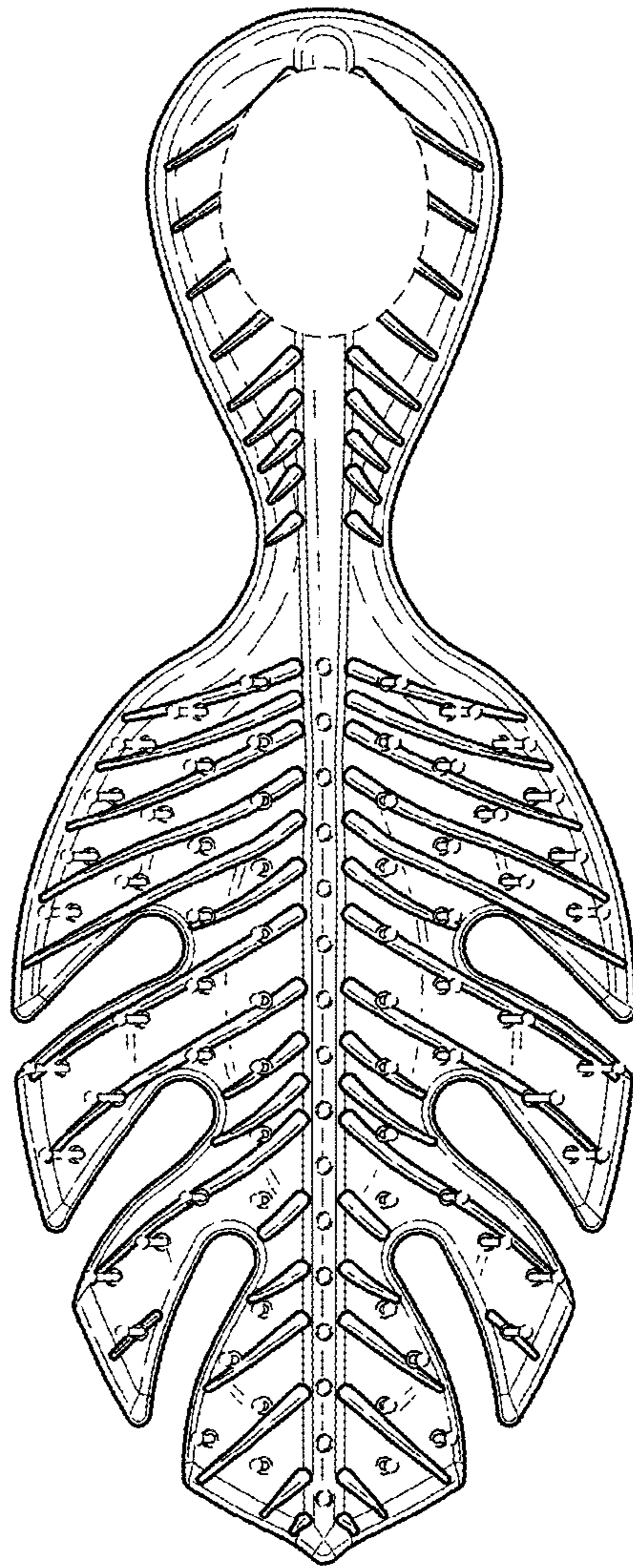


FIG. 3

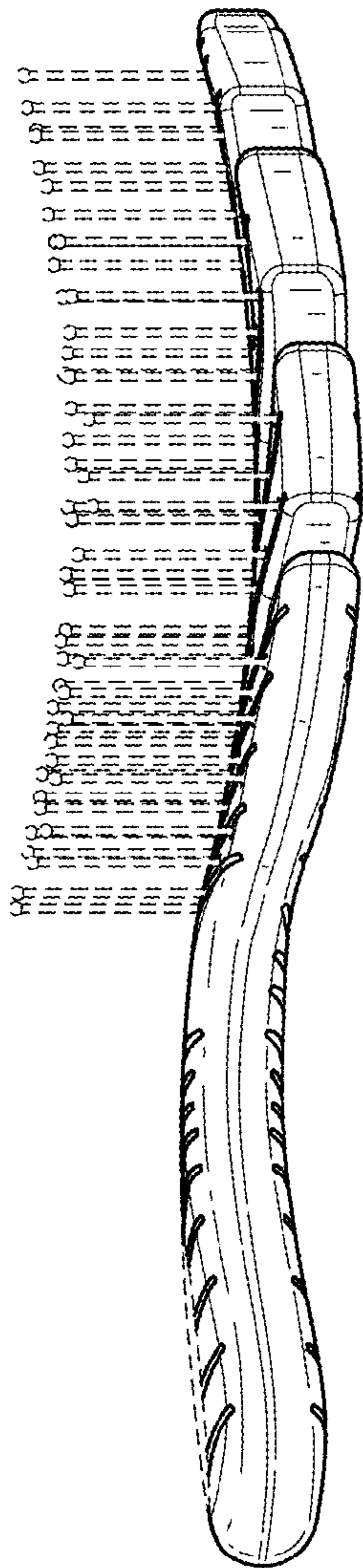


FIG. 4

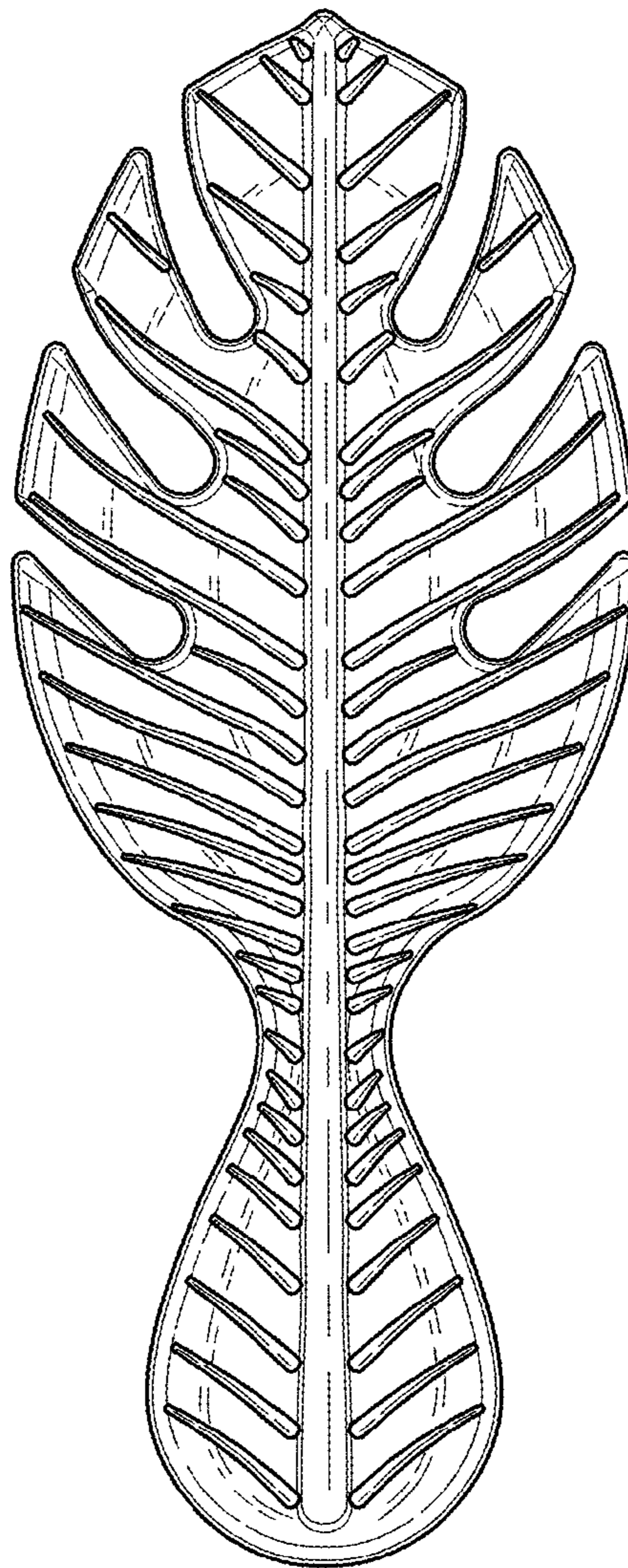


FIG. 5

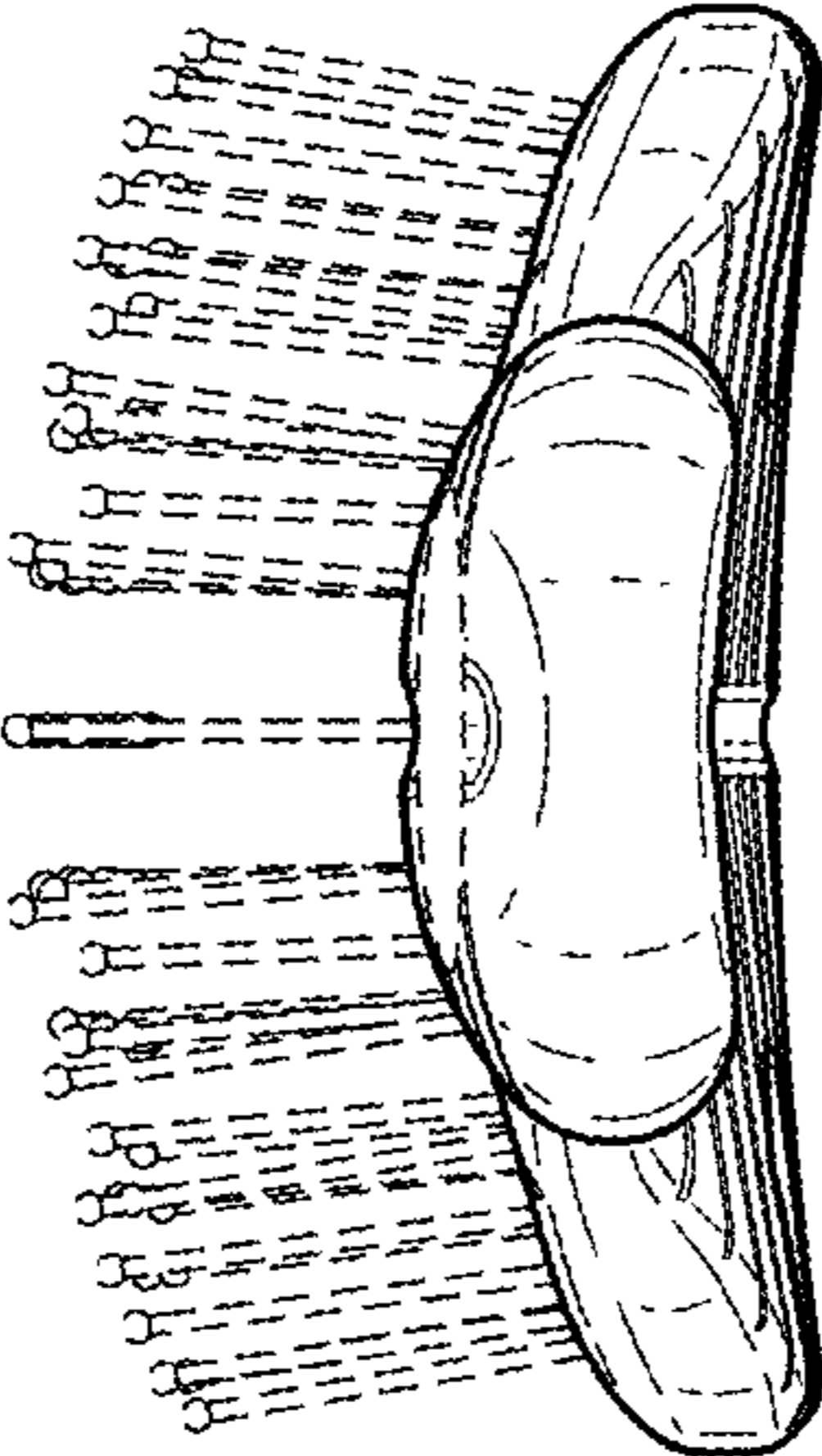


FIG. 6

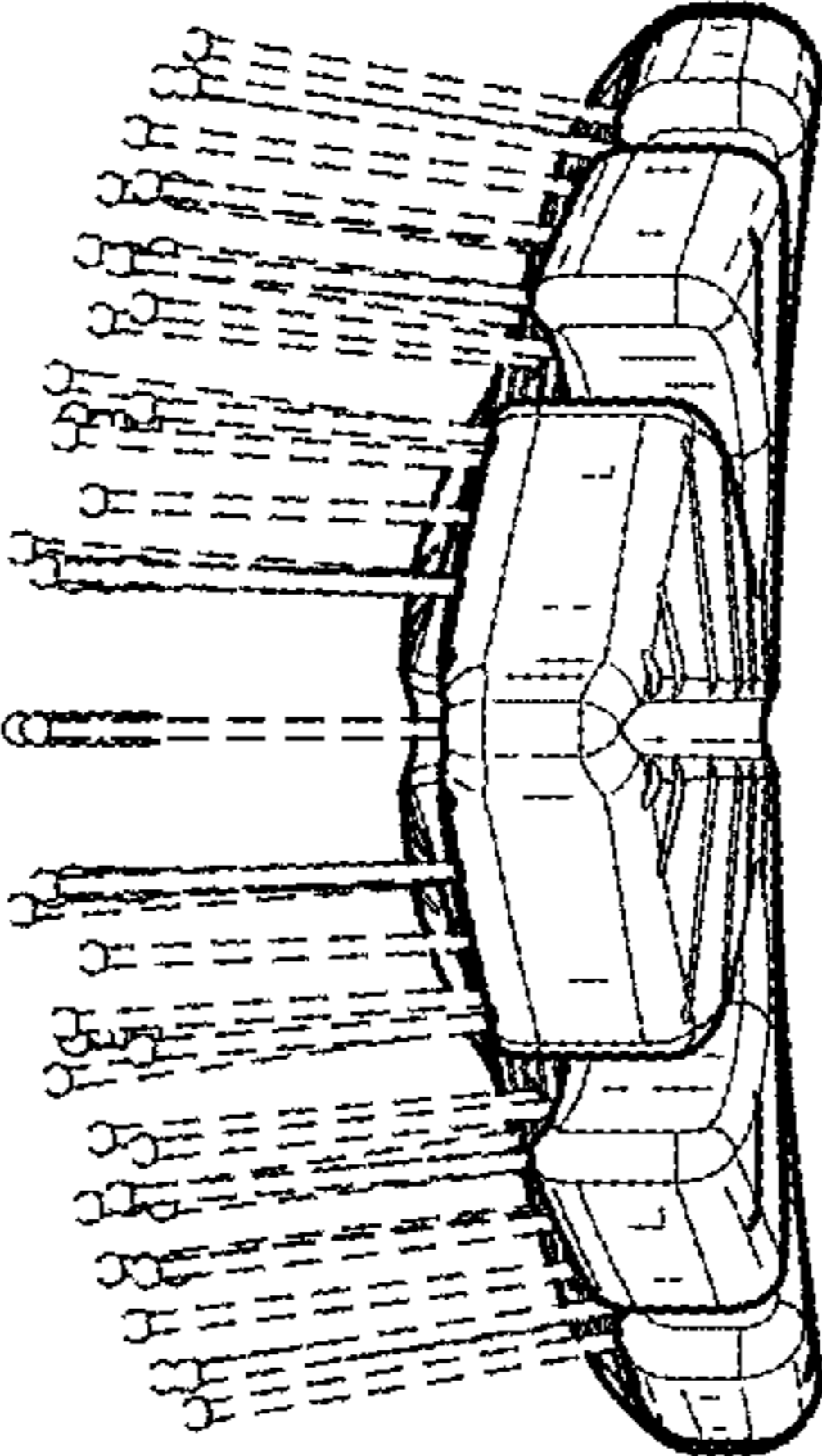


FIG. 7

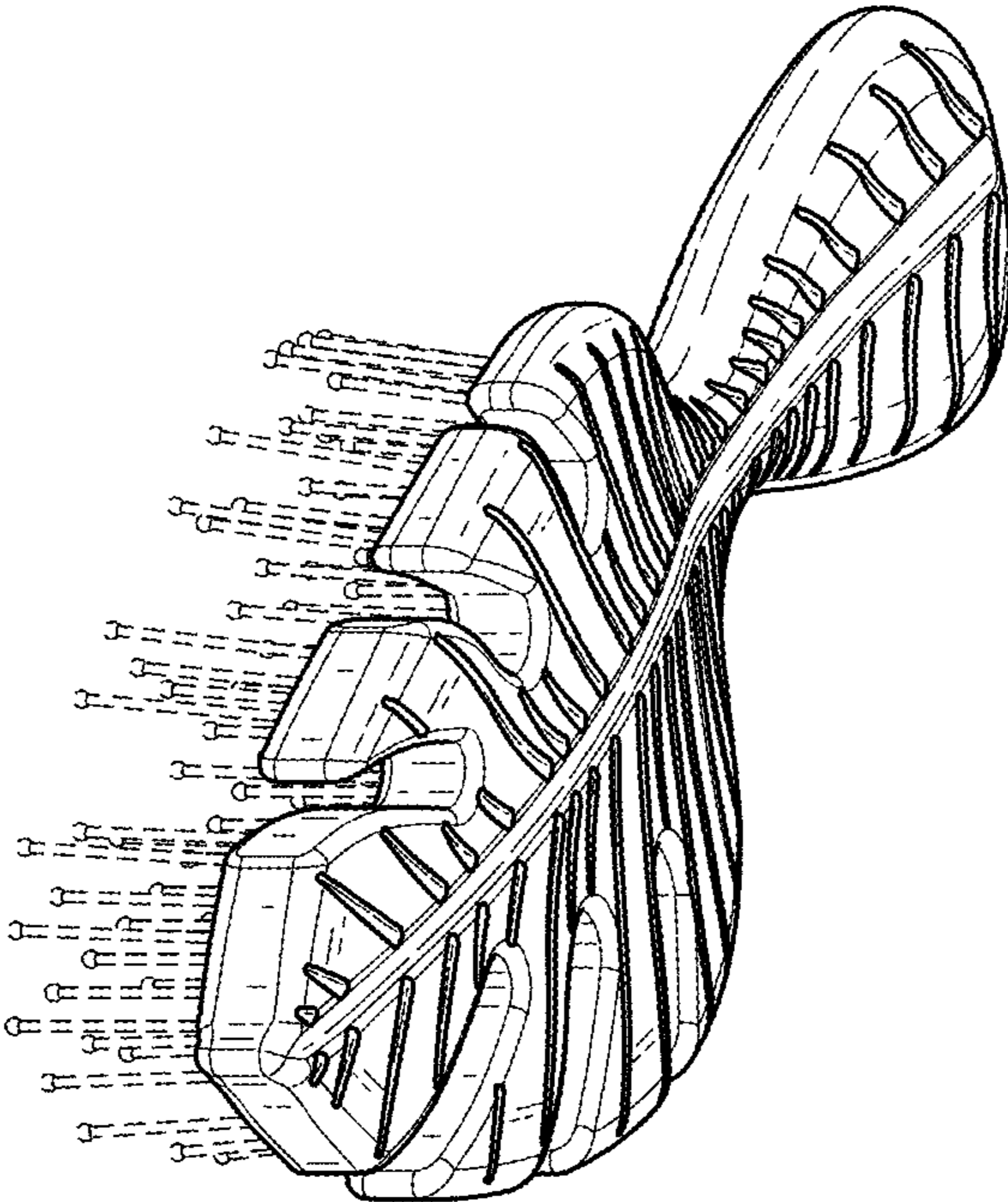


FIG. 8

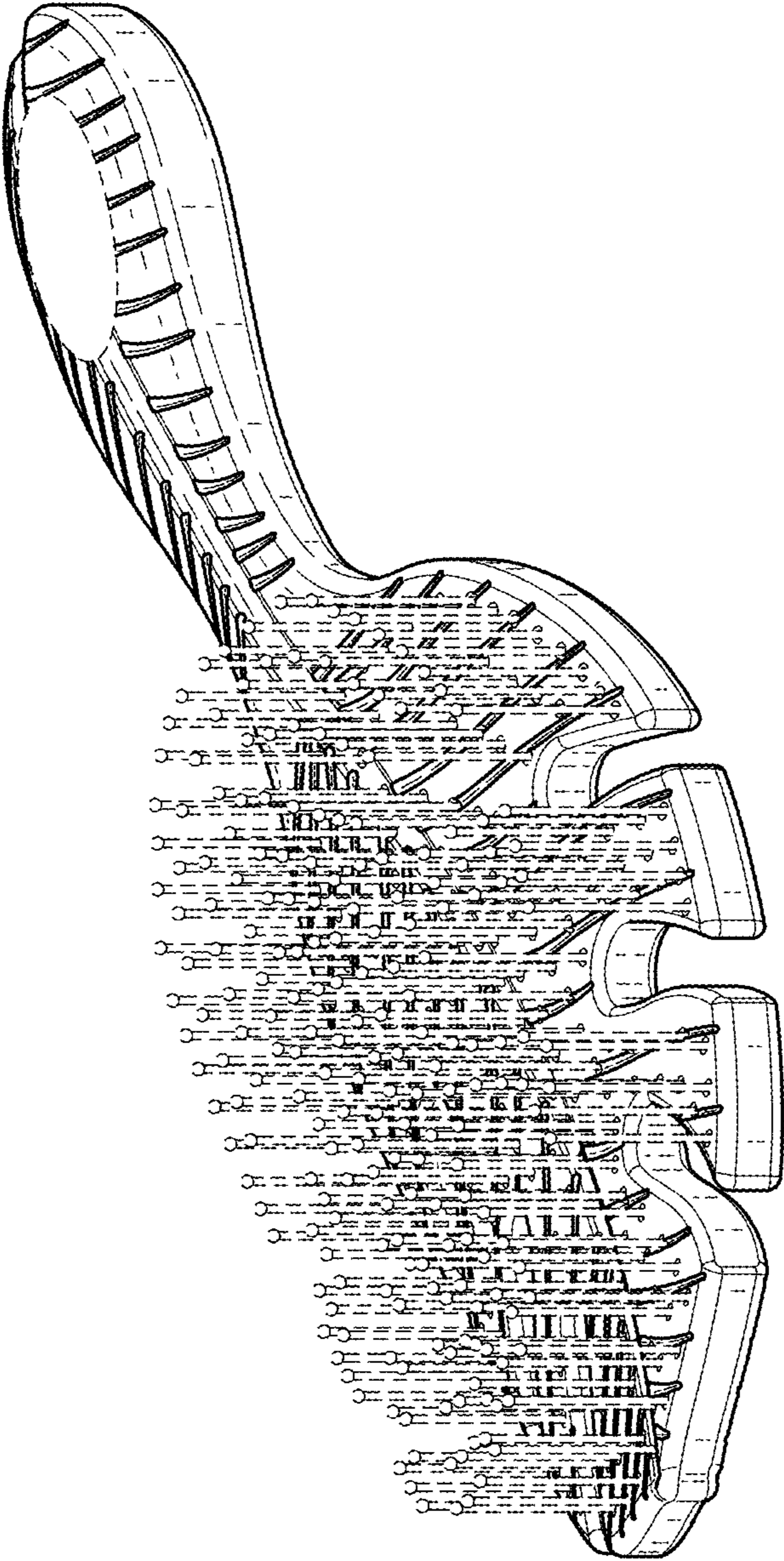


FIG.9

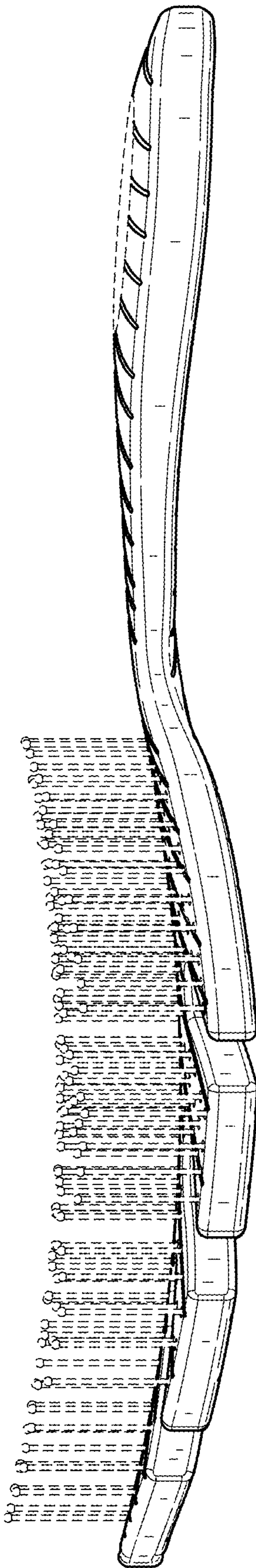


FIG.10

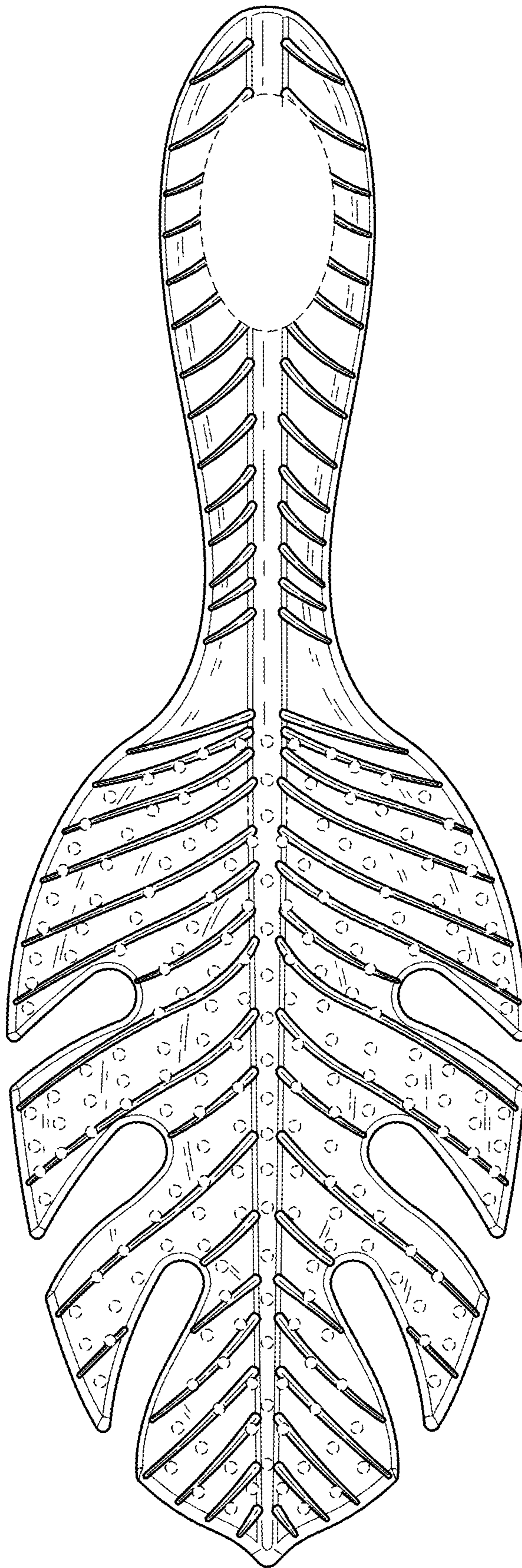


FIG.11

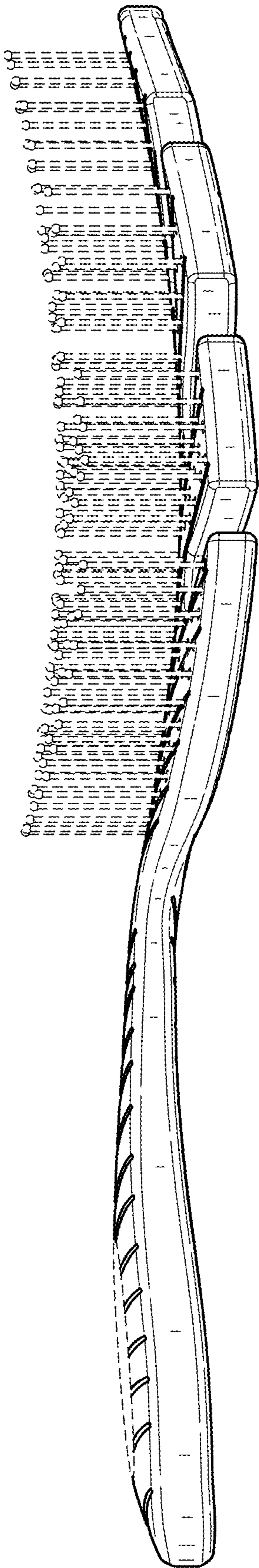


FIG. 12

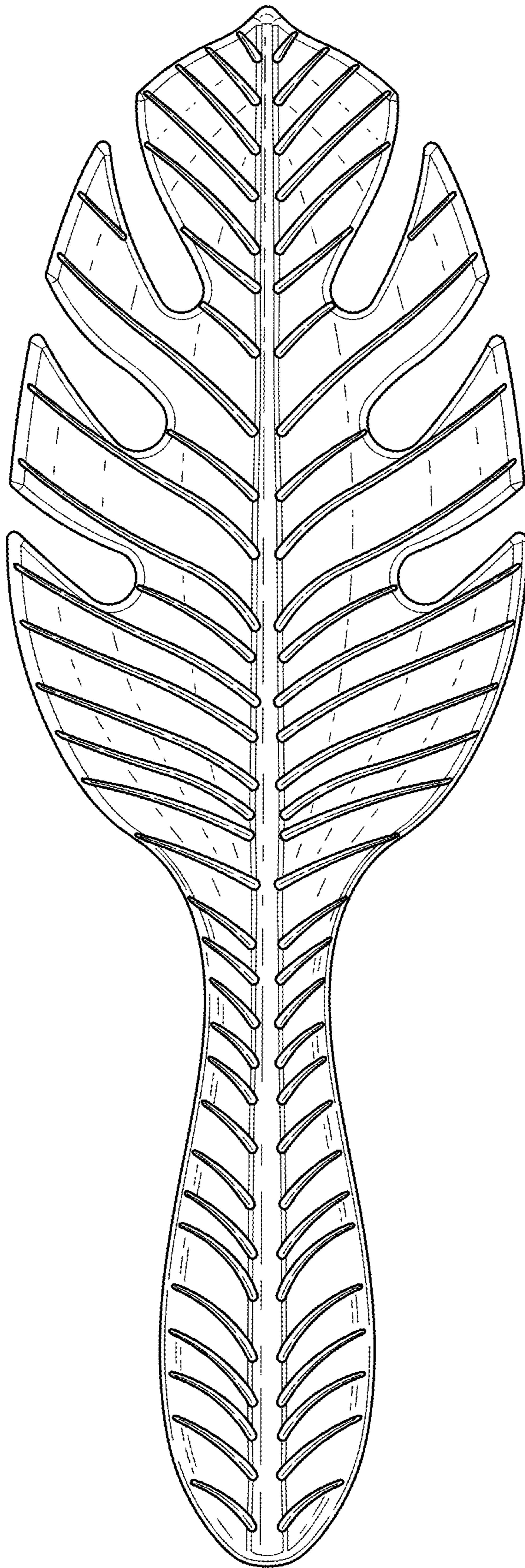


FIG. 13

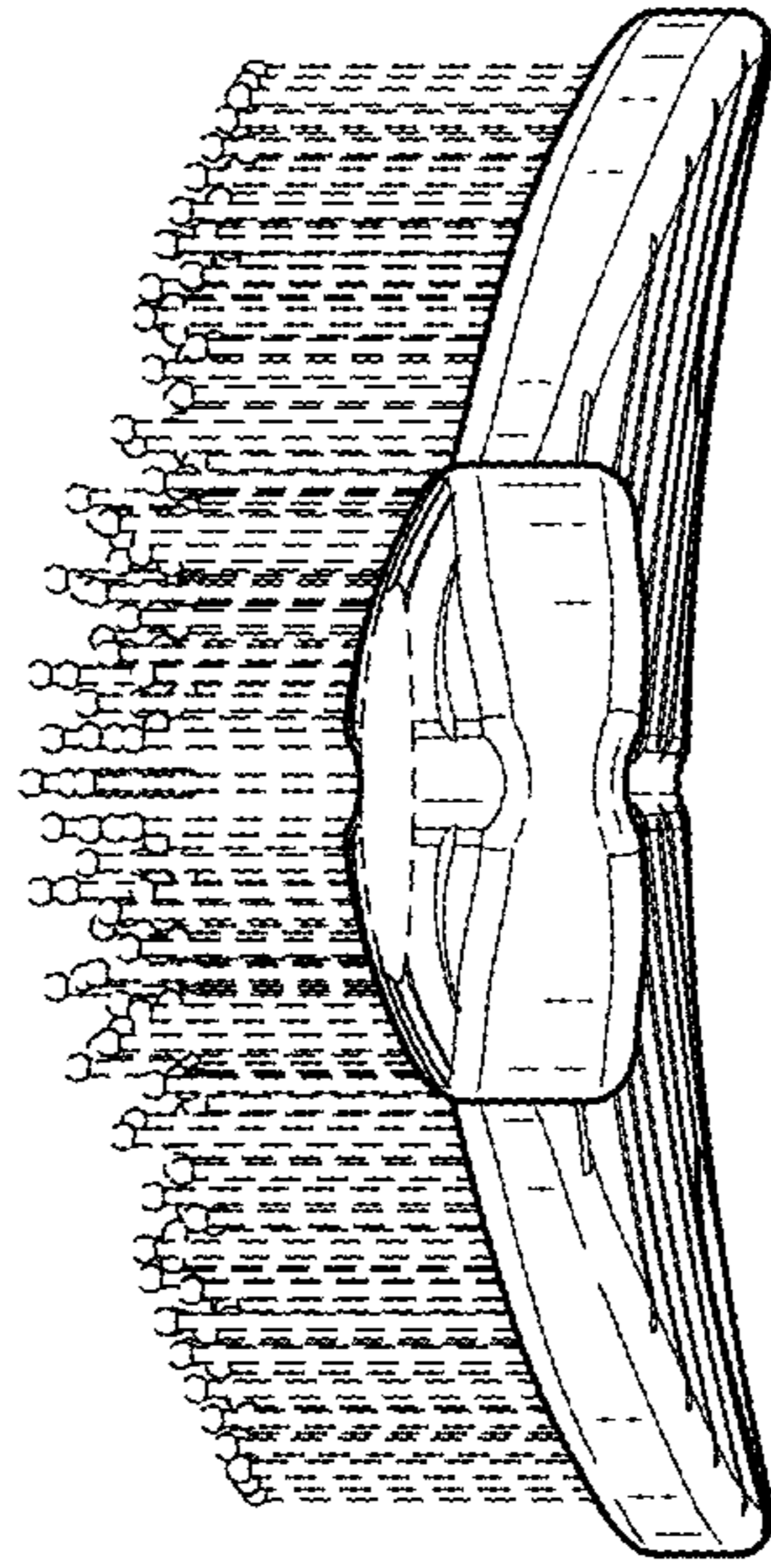


FIG.15

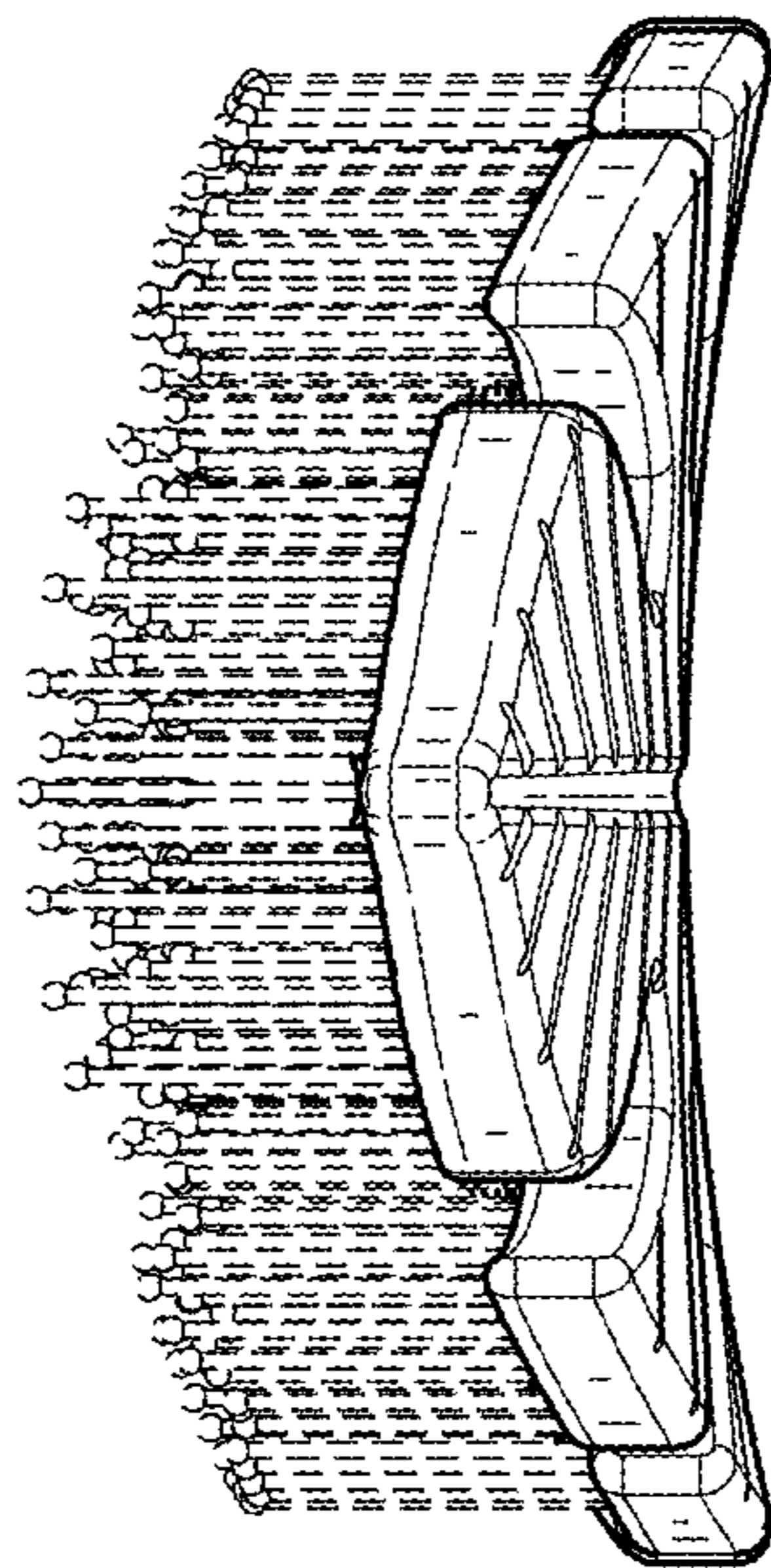


FIG.14

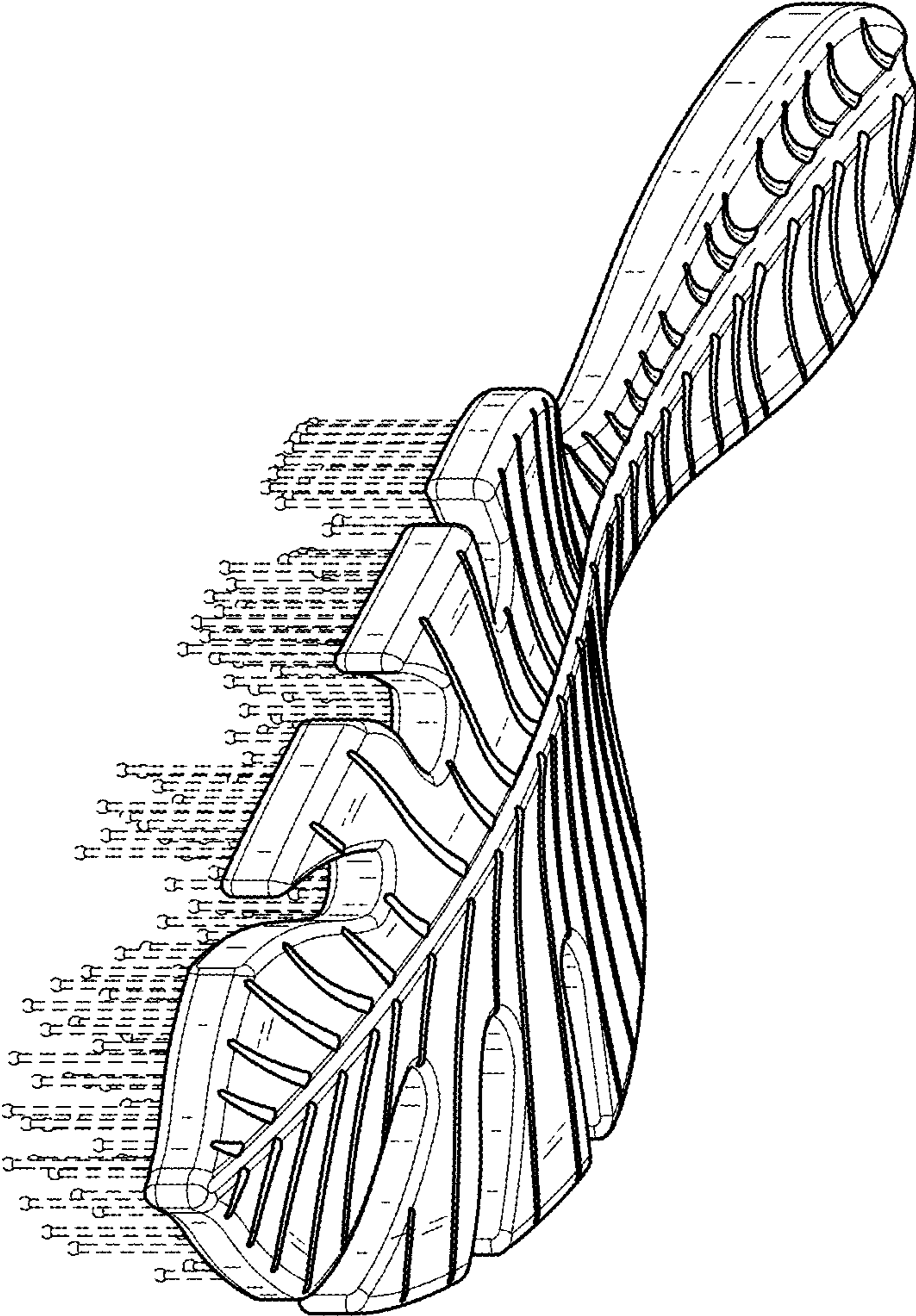


FIG.16

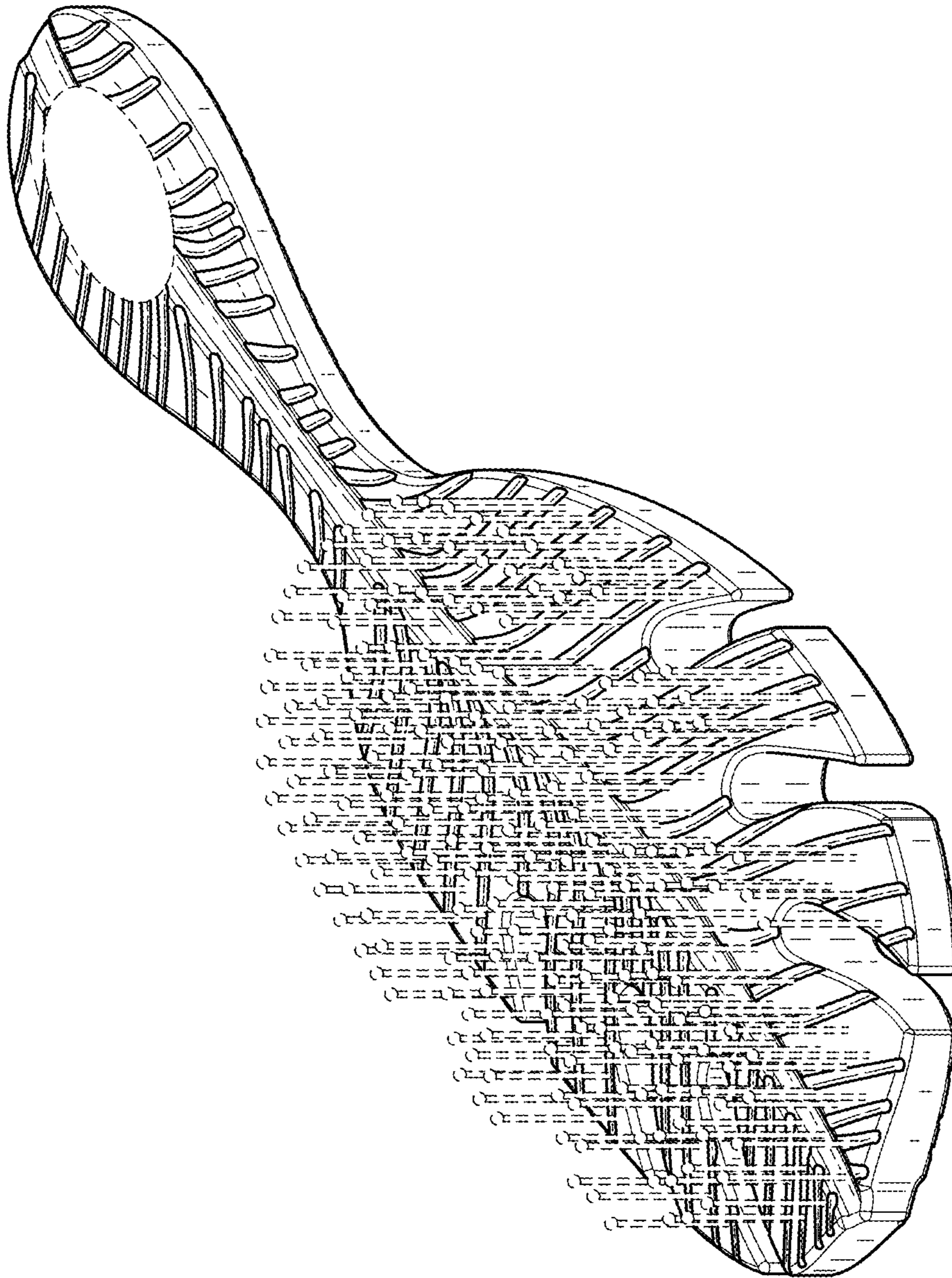


FIG.17

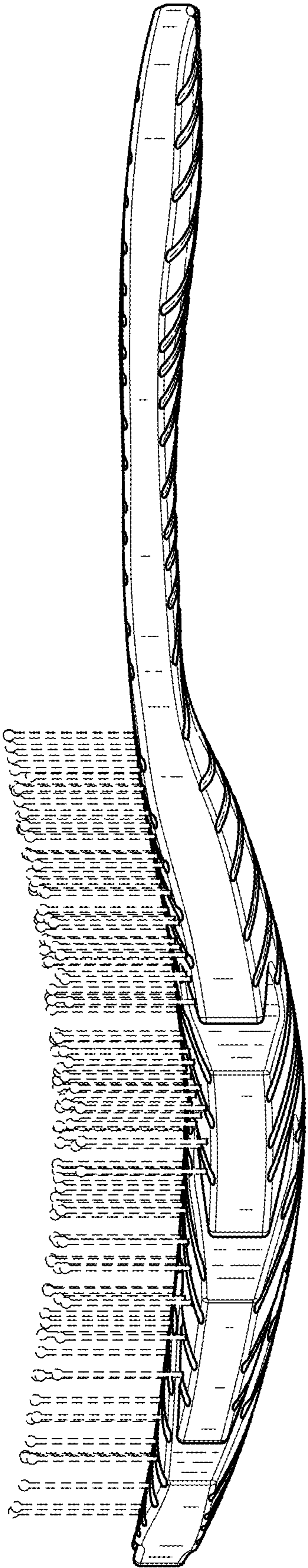


FIG. 18

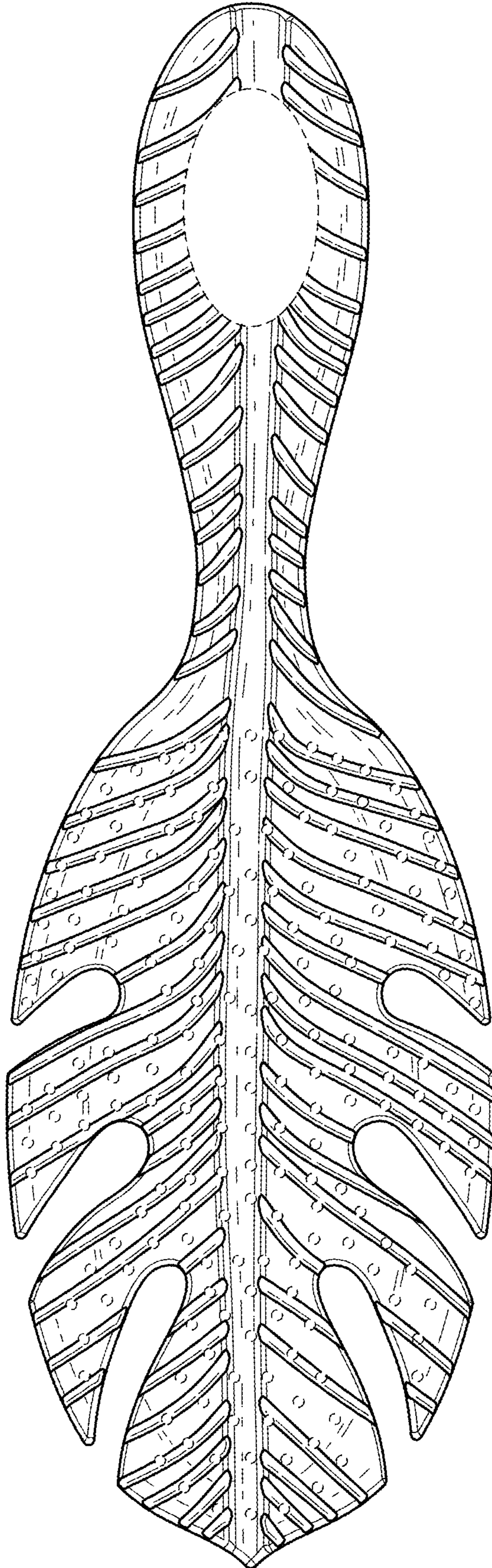


FIG. 19

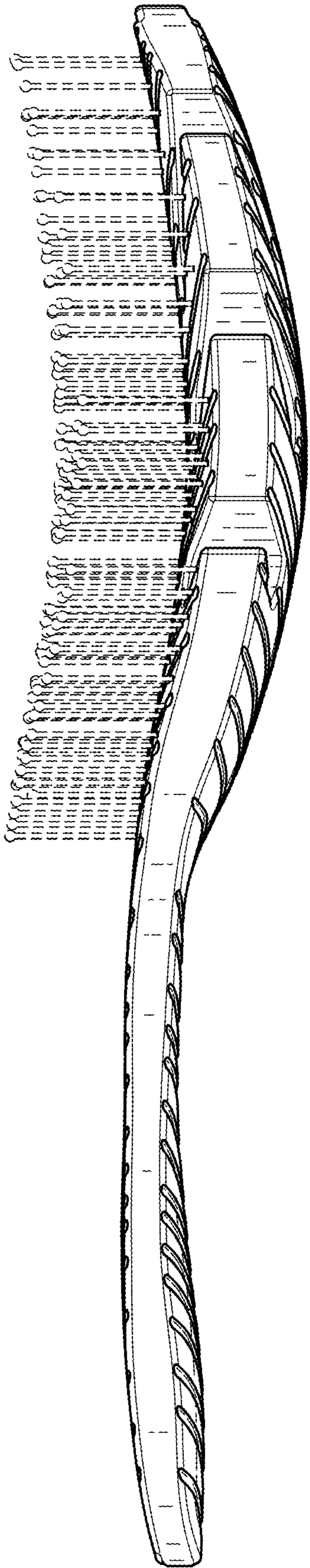


FIG. 20

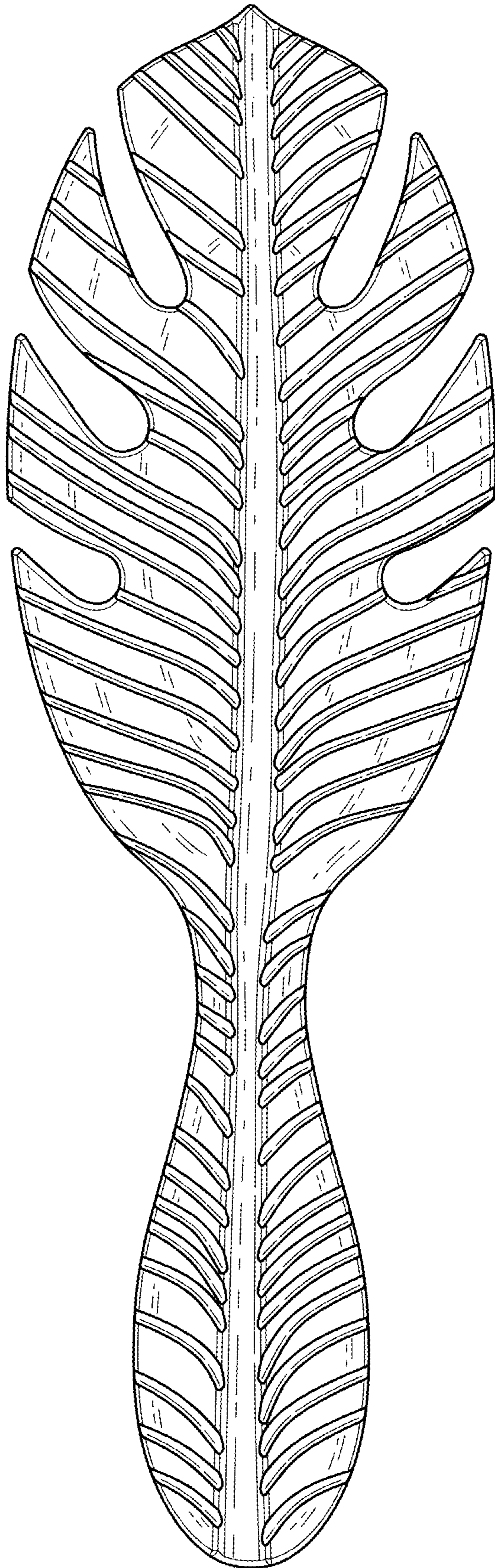


FIG. 21

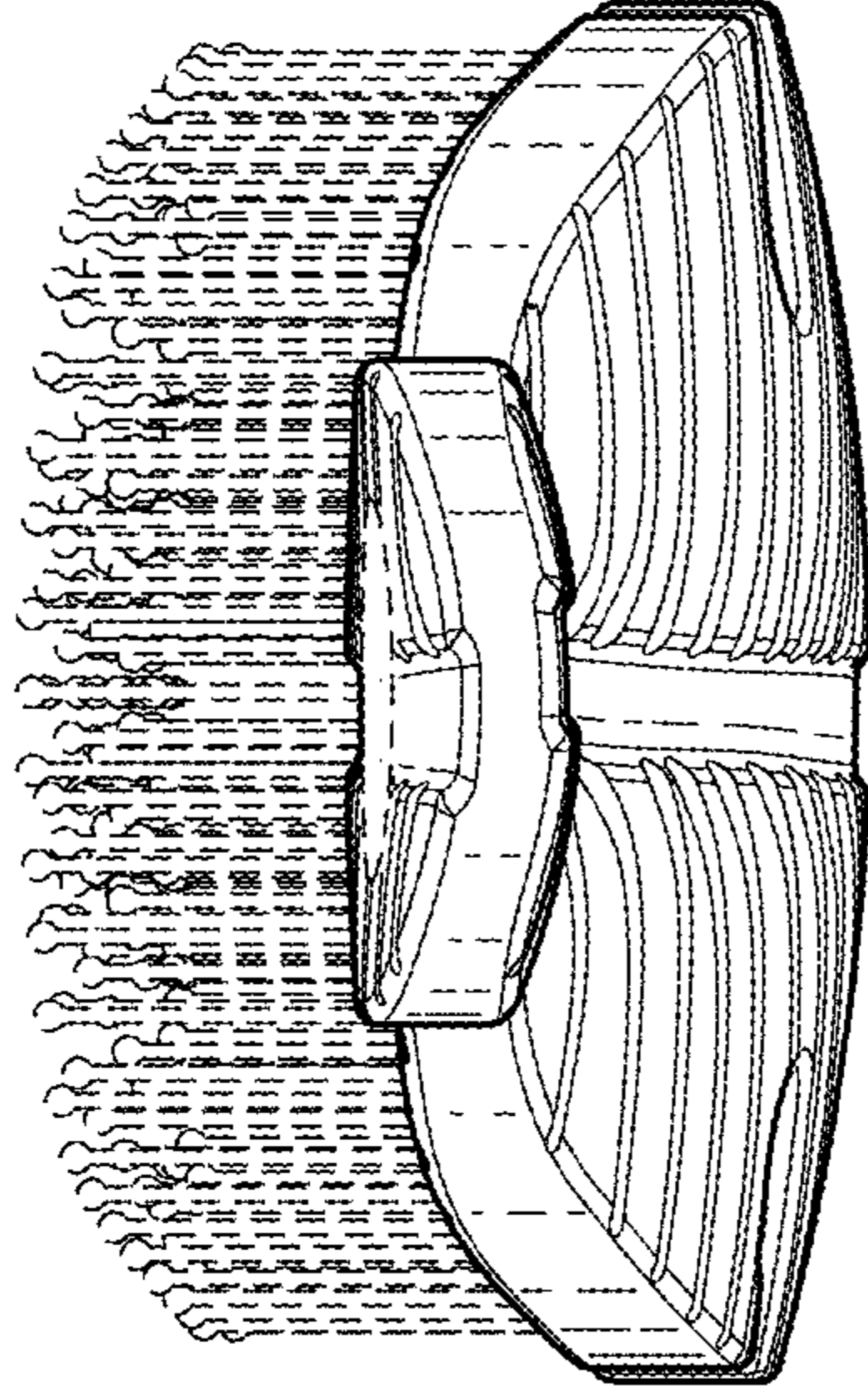


FIG. 23

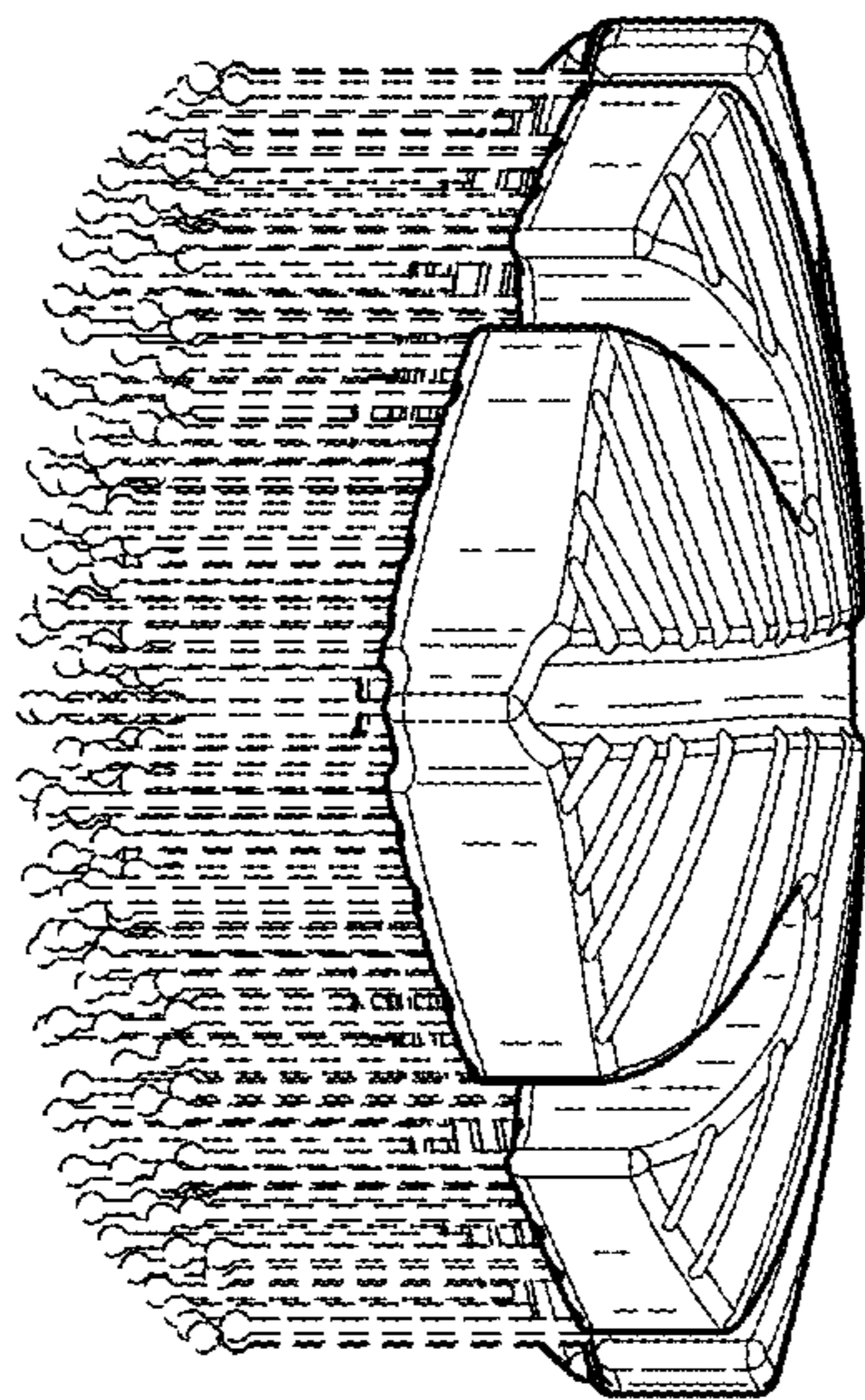


FIG. 22

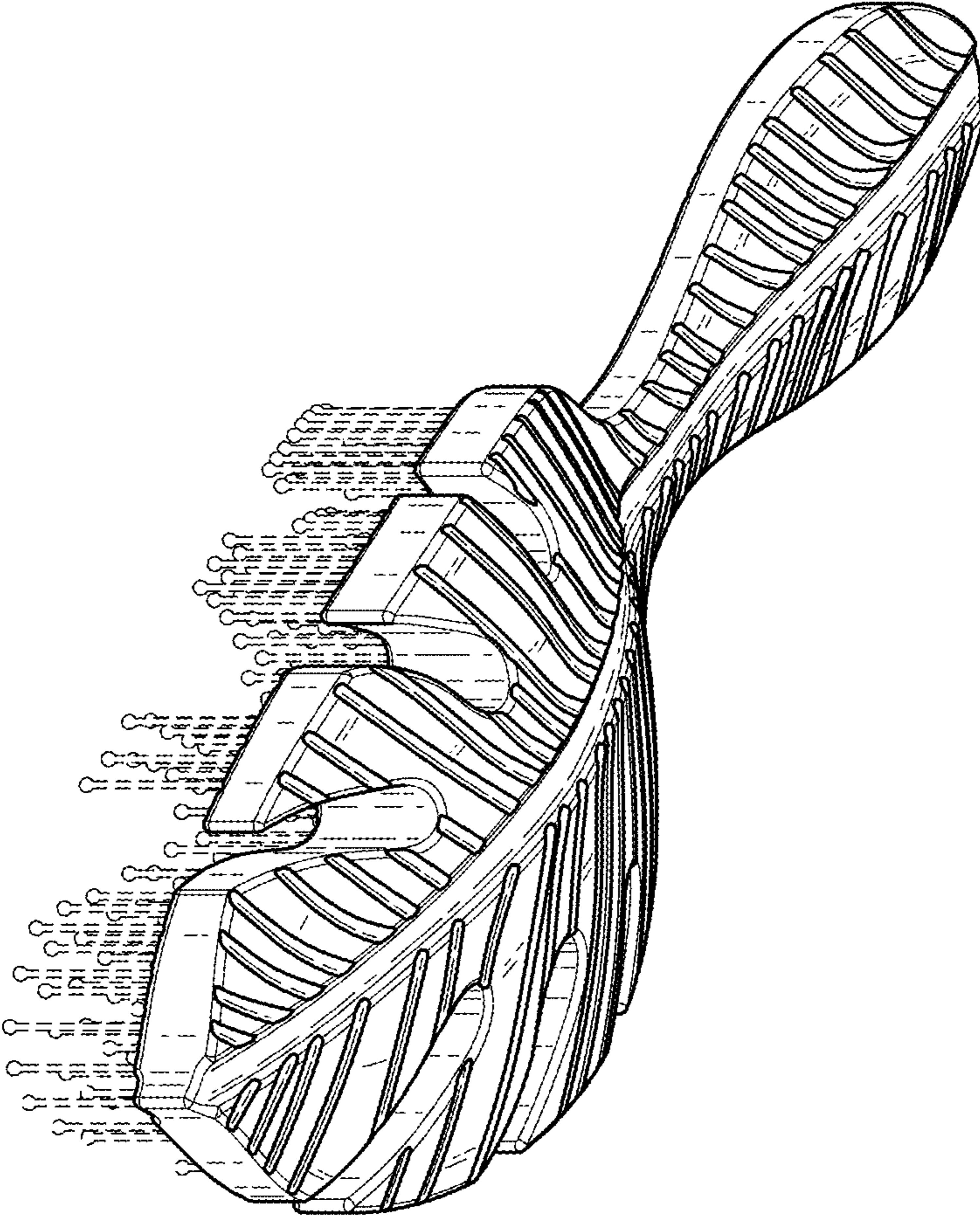


FIG.24