

US00D964042S

(12) **United States Design Patent**
Rennette

(10) **Patent No.:** **US D964,042 S**

(45) **Date of Patent:** **** Sep. 20, 2022**

(54) **HAIR BRUSH**

(71) Applicant: **Olivia Garden International Inc.,**
Walnut Creek, CA (US)

(72) Inventor: **Jean Rennette,** Walnut Creek, CA (US)

(73) Assignee: **Olivia Garden International inc.,**
Wainut Creek, CA (US)

(**) Term: **15 Years**

(21) Appl. No.: **29/822,778**

(22) Filed: **Jan. 12, 2022**

Related U.S. Application Data

(62) Division of application No. 29/800,845, filed on Jul. 23, 2021, now Pat. No. Des. 943,287, which is a division of application No. 29/768,250, filed on Jan. 28, 2021, now Pat. No. Des. 928,514.

(51) **LOC (13) Cl.** **04-02**

(52) **U.S. Cl.**
USPC **D4/128**

(58) **Field of Classification Search**
USPC D4/121, 127, 135, 138; 15/106, 159.1, 15/160, 176.1, 184, 190-194; 132/289, 132/294, 298, 313, 317, 320; 401/123, 401/141, 175, 281
CPC A46B 7/026; A46B 5/005; A46B 17/04; A46B 2200/1046
See application file for complete search history.

(56) **References Cited**

U.S. PATENT DOCUMENTS

720,137 A	2/1903	Harris
D555,907 S	11/2007	Rennette
D573,755 S	7/2008	Rennette
D621,163 S	8/2010	Rennette

D624,321 S	9/2010	Rennette	
D627,568 S	11/2010	Rennette	
D644,440 S	9/2011	Rennette	
D646,488 S	10/2011	Rennette	
D648,540 S	11/2011	Rennette	
D653,038 S	1/2012	Park	
D679,910 S	4/2013	Nimsgern	
D684,373 S	6/2013	Rennette	
D696,027 S	12/2013	Park	
8,602,038 B2	12/2013	Choi	
D720,137 S	12/2014	Schuler	
D721,505 S	1/2015	Schuler	
D730,060 S	5/2015	Rennette	
D730,061 S	5/2015	Rennette	
D739,660 S	9/2015	Rennette	
D749,326 S	2/2016	Rennette	
D759,477 S	6/2016	Rennette	
D762,069 S	7/2016	Rennette	
D766,588 S	9/2016	Rennette	
D775,839 S	1/2017	Rennette	
D776,940 S *	1/2017	Park D4/138
D782,829 S	4/2017	Park	

(Continued)

Primary Examiner — Austin Murphy

(74) *Attorney, Agent, or Firm* — Volk & McElroy, LLP;
Michael D. Volk, Jr.

(57) **CLAIM**

The ornamental design for a hair brush, as shown.

DESCRIPTION

FIG. 1 is a perspective view of a hair brush showing my new design.

FIG. 2 is another perspective view thereof.

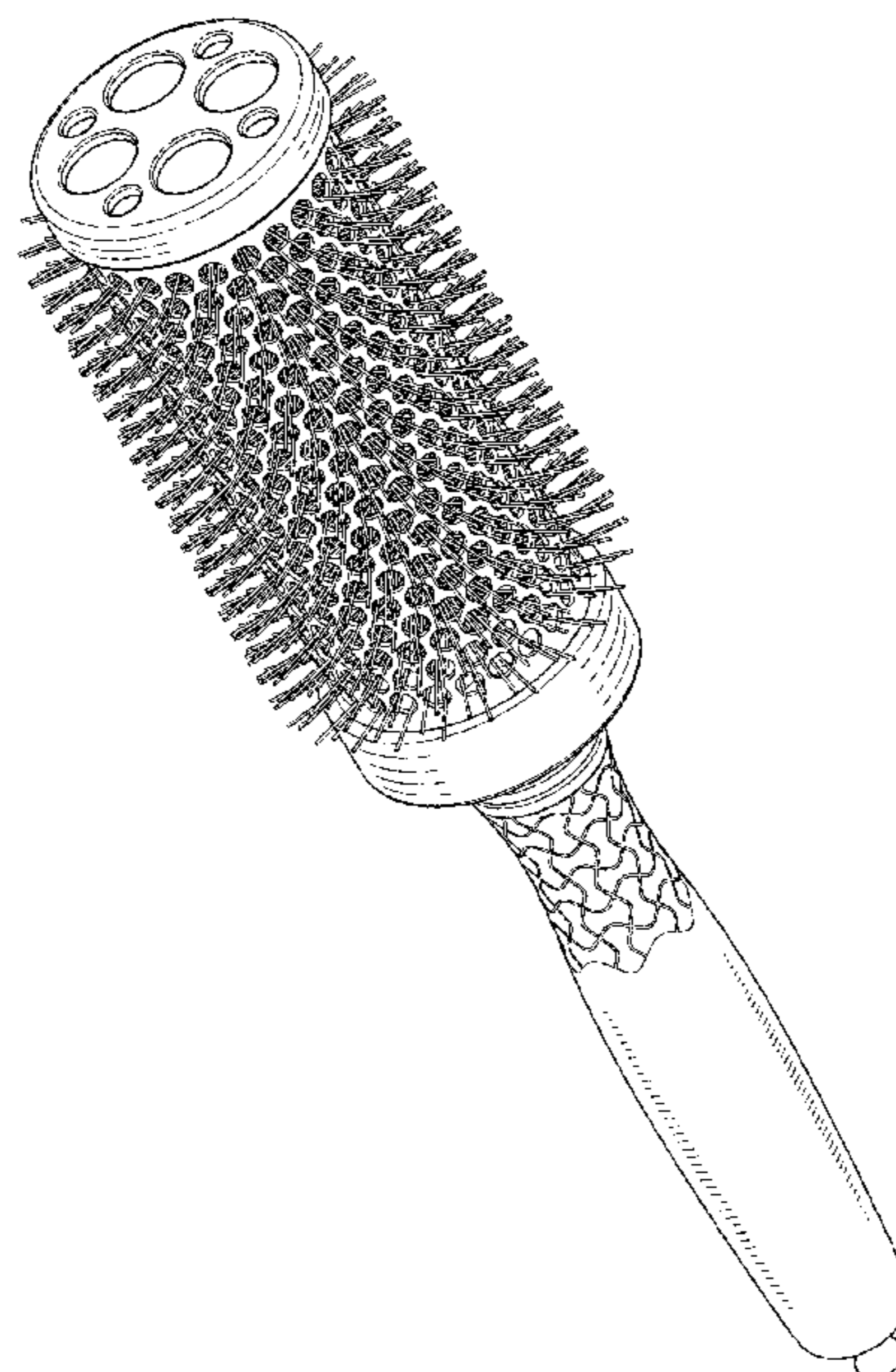
FIG. 3 is a front view thereof. The back side view is the same as the front side view.

FIG. 4 is a right side view thereof. The left side view is the same as the right side view.

FIG. 5 is a top view thereof; and,

FIG. 6 is a bottom view thereof.

1 Claim, 3 Drawing Sheets



(56)

References Cited

U.S. PATENT DOCUMENTS

D787,834 S *	5/2017	Cheung	D4/128	D916,468 S *	4/2021	Rennette	D4/128
D794,339 S *	8/2017	Morton	D4/138	D928,514 S *	8/2021	Rennette	D4/128
D798,605 S	10/2017	Funches			D929,132 S	8/2021	Hinds et al.		
D798,607 S	10/2017	Park			D943,287 S *	2/2022	Rennette	D4/128
D801,701 S	11/2017	Rennette			D944,534 S *	3/2022	Hinds	D4/128
D801,702 S	11/2017	Rennette			2002/0066150 A1 *	6/2002	Bigio	A46B 9/023 D4/133
D807,646 S	1/2018	Rennette			2003/0110585 A1	6/2003	Rechelbacher		
D817,643 S	5/2018	Valle et al.			2004/0088811 A1 *	5/2004	Bigio	A46B 9/023 15/160
D823,004 S *	7/2018	Kuo	D4/128	2005/0121049 A1	6/2005	Rizzuto		
D823,005 S	7/2018	Kuo			2007/0261187 A1	11/2007	DiPippo		
10,028,574 B2	7/2018	Rennette			2008/0190441 A1 *	8/2008	Vecchiola	A45D 24/38 132/150
D832,591 S *	11/2018	Kuo	D4/128	2009/0229624 A1 *	9/2009	Purvis	A45D 20/525 186/59
D846,887 S *	4/2019	Treeby	D4/133	2012/0152272 A1	6/2012	Solovey		
D847,514 S	5/2019	Maman			2013/0312783 A1	11/2013	Fiorio		
D856,683 S	8/2019	Rennette			2014/0075694 A1	3/2014	Toh		
D867,869 S	11/2019	Rennette			2014/0366910 A1 *	12/2014	Habibi	A45D 20/525 15/160
D879,476 S	3/2020	Rennette			2015/0182013 A1 *	7/2015	Yao	A46B 1/00 132/120
10,602,835 B2	3/2020	Rennette			2015/0342333 A1	12/2015	Park		
D884,360 S *	5/2020	Hou	D4/128	2016/0353855 A1	12/2016	Rennette		
10,750,851 B2 *	8/2020	Mikitovic	A46B 1/00	2019/0142148 A1	5/2019	Rennette		
D895,981 S	9/2020	Rennette et al.							
D905,970 S	12/2020	Rennette							
D911,717 S *	3/2021	Rennette	D4/128					
D915,775 S	4/2021	Moon et al.							

* cited by examiner

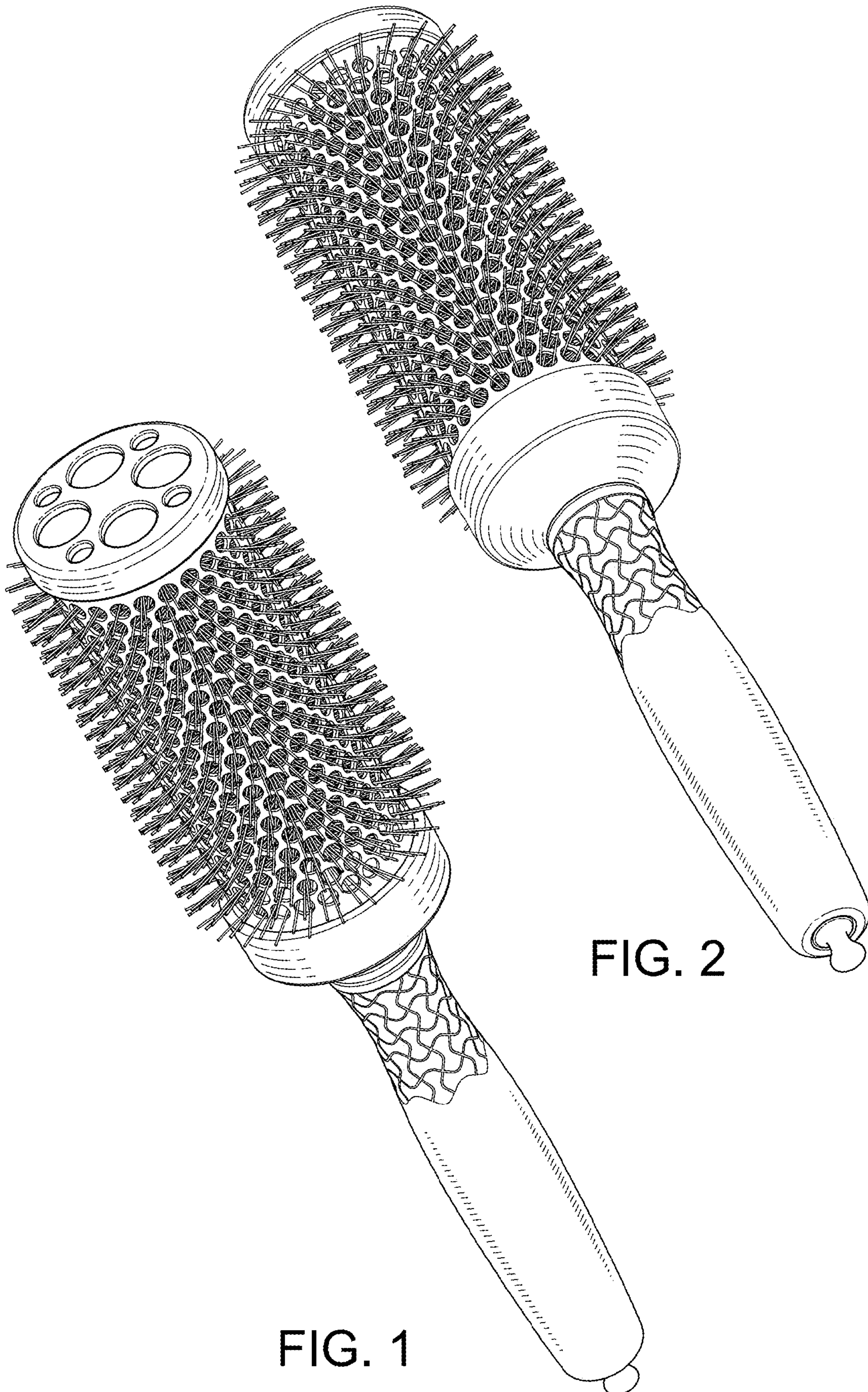


FIG. 1

FIG. 2

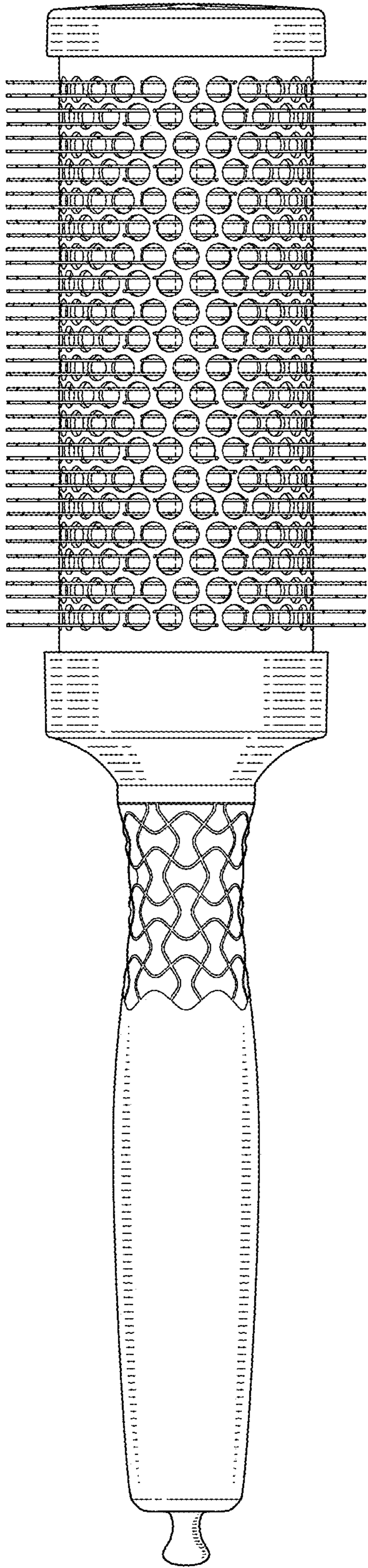


FIG. 3

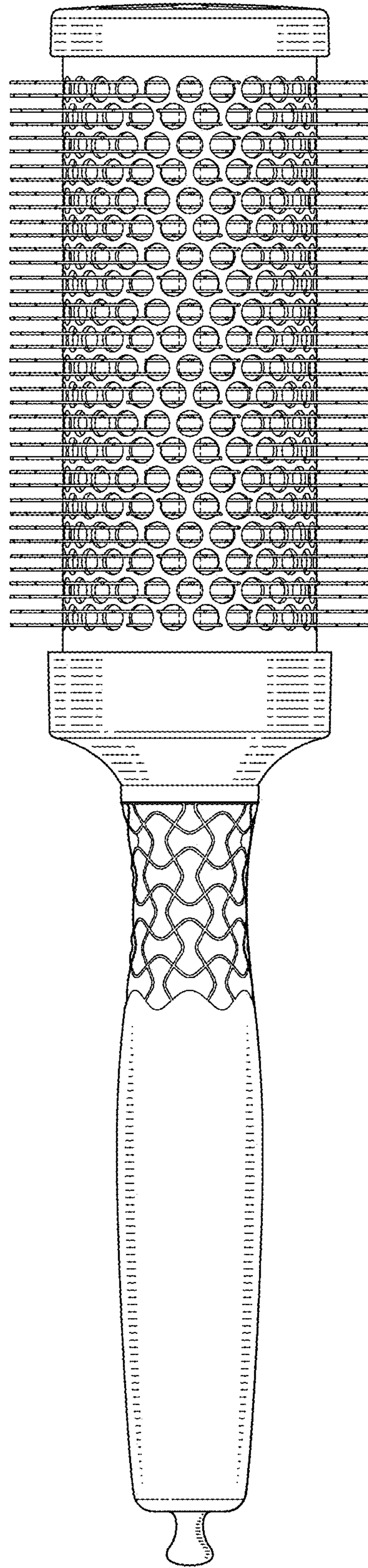


FIG. 4

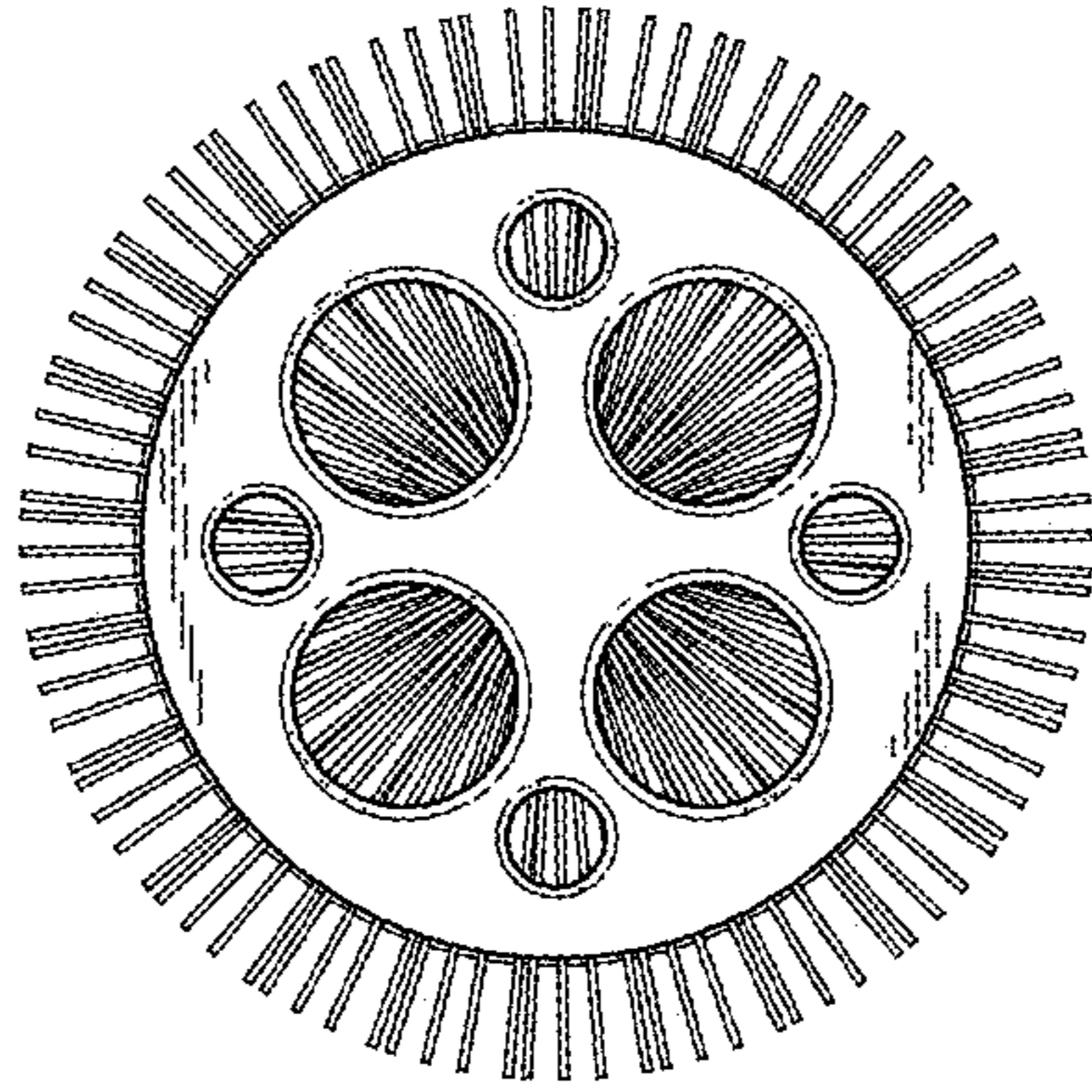


FIG. 5

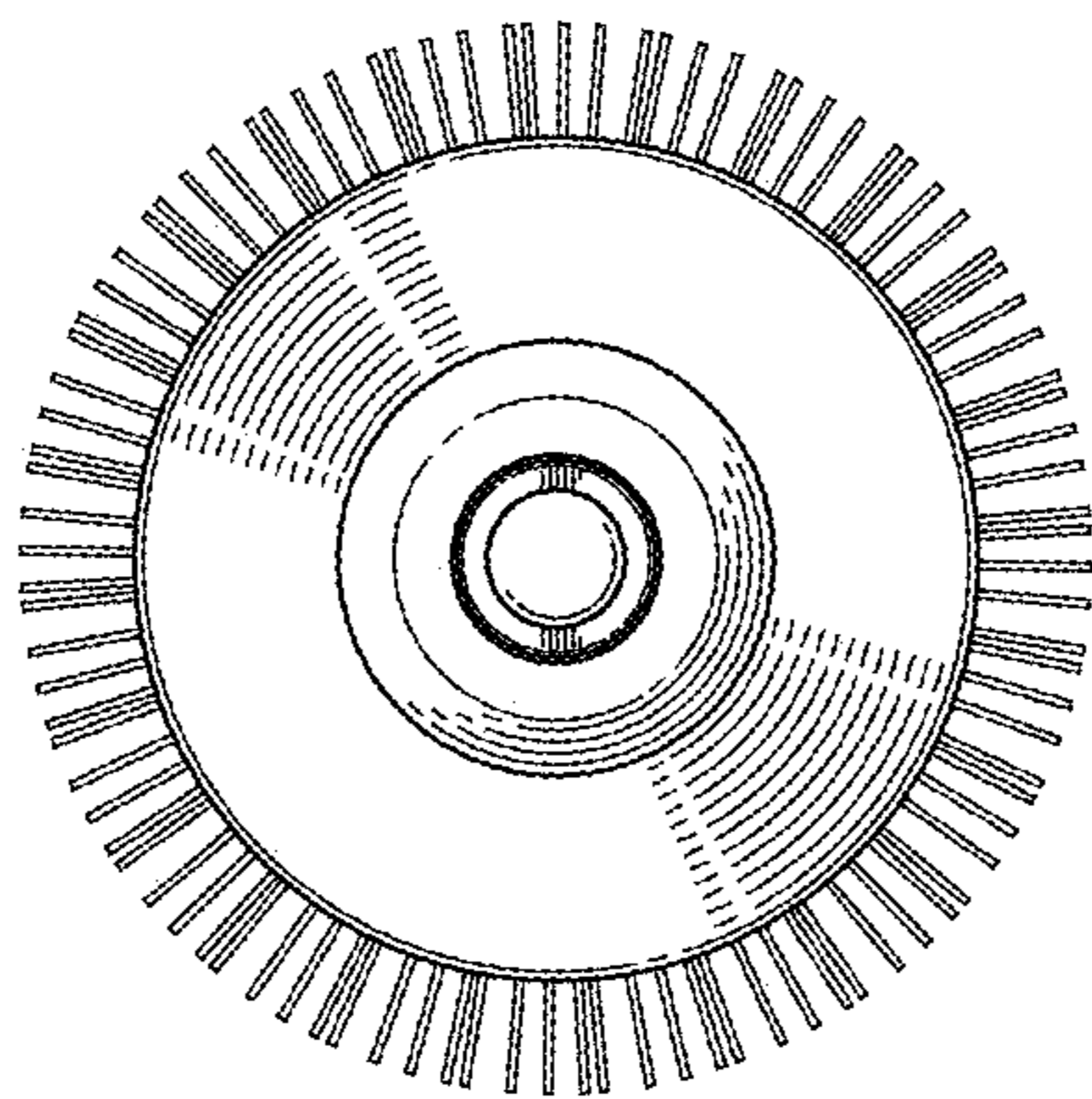


FIG. 6