



US00D964041S

(12) **United States Design Patent** (10) **Patent No.:** **US D964,041 S**
Gao (45) **Date of Patent:** **** Sep. 20, 2022**

(54) **COMBINATION ELECTRIC TOOTHBRUSH AND HOLDER**

(71) Applicant: **Chao Gao**, Shenzhen (CN)

(72) Inventor: **Chao Gao**, Shenzhen (CN)

(**) Term: **15 Years**

(21) Appl. No.: **29/811,246**

(22) Filed: **Oct. 13, 2021**

(30) **Foreign Application Priority Data**

Sep. 15, 2021 (CN) 202130613129.0

(51) **LOC (13) Cl.** **28-03**

(52) **U.S. Cl.**
USPC **D4/101**

(58) **Field of Classification Search**
USPC D4/101, 104, 105, 106, 107, 108, 109, D4/110, 111, 112, 113
CPC ... A46B 9/04; A46B 2200/1066; A46B 9/045; A61C 17/228
See application file for complete search history.

(56) **References Cited**

U.S. PATENT DOCUMENTS

D196,635	S	*	10/1963	Kinsella	D4/106
D221,272	S	*	7/1971	Splaine	D4/106
5,175,901	A	*	1/1993	Rabinowitz	A46B 9/045 15/22.1
D524,730	S	*	7/2006	Vu	D13/108
D631,010	S	*	1/2011	Smith	D13/108
D864,578	S	*	10/2019	Liu	D4/107
D867,598	S	*	11/2019	Qin	D24/176
D884,352	S	*	5/2020	Mock	D4/107
D887,146	S	*	6/2020	Lander	D4/101
D895,974	S		9/2020	Xiong et al.		
D917,887	S		5/2021	Sohn		
D930,364	S		9/2021	Qiu		
D943,282	S	*	2/2022	Lander	D4/101

11,304,789	B2	*	4/2022	Speicher	A61C 19/066
D951,649	S	*	5/2022	Chen	D4/101
D951,652	S	*	5/2022	Lander	D4/106
2020/0253702	A1	*	8/2020	De Gentile	A46B 15/0012
2021/0161284	A1	*	6/2021	Mustan	A61C 17/228
2021/0275284	A1	*	9/2021	Pai	A61C 17/22
2021/0315676	A1	*	10/2021	Pai	A46D 3/005
2022/0160119	A1	*	5/2022	Huajing	A61C 17/3472

FOREIGN PATENT DOCUMENTS

CN	304943175	*	12/2018
CN	305095591	*	4/2019
CN	306708332	*	7/2021

* cited by examiner

Primary Examiner — Karen E Eldridge Powers

(74) *Attorney, Agent, or Firm* — Jeenam Park

(57) **CLAIM**

The ornamental design for a combination electric toothbrush and holder, as shown and described.

DESCRIPTION

FIG. 1 is a front, top and right side perspective view of combination electric toothbrush and holder, showing my new design;

FIG. 2 is an exploded view of the components as shown in FIG. 1;

FIG. 3 is a rear, bottom and left side perspective view thereof;

FIG. 4 is a front elevational view thereof;

FIG. 5 is a rear elevational view thereof;

FIG. 6 is a left side elevational view thereof;

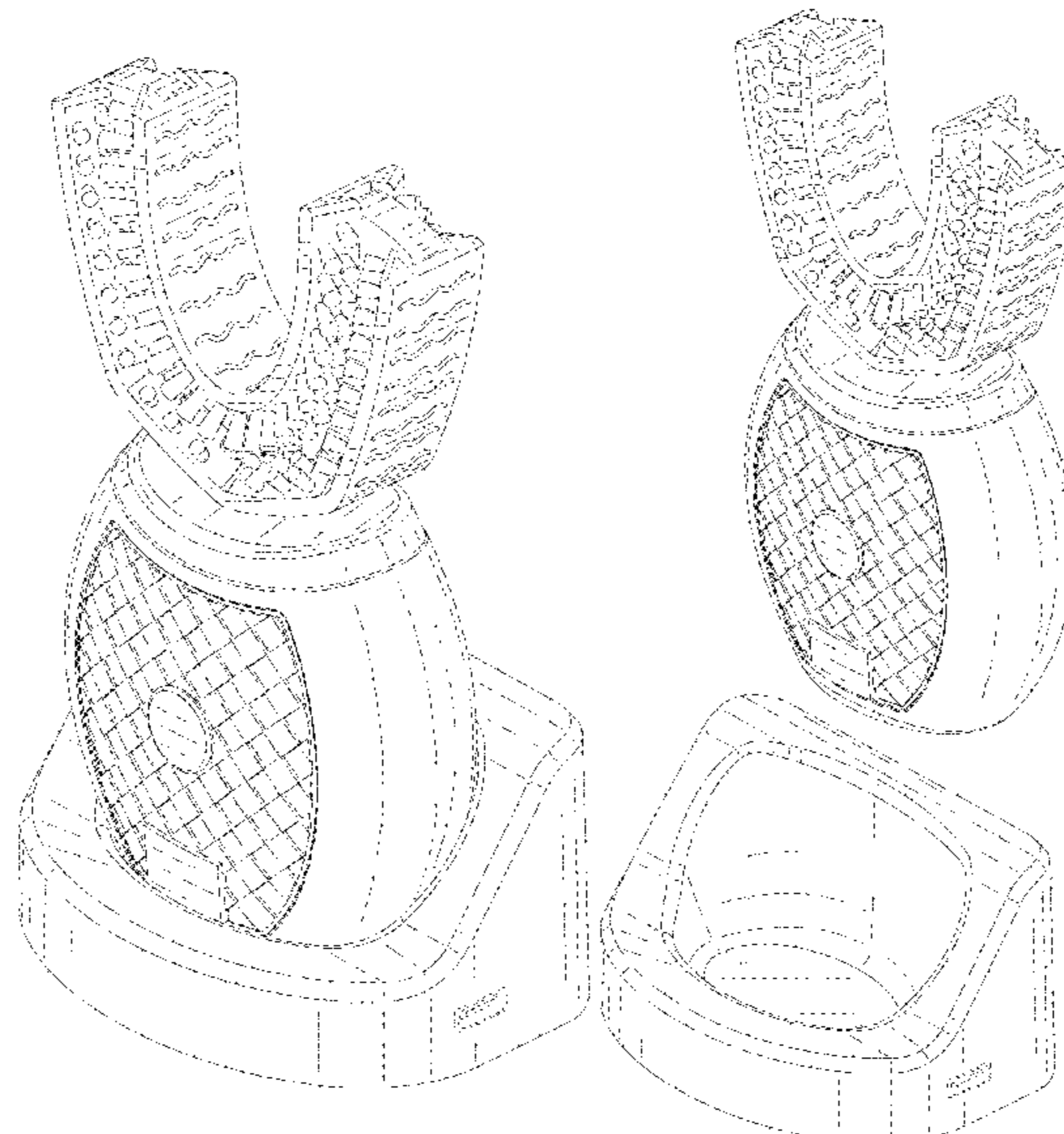
FIG. 7 is a right side elevational view thereof;

FIG. 8 is a top plan view thereof; and,

FIG. 9 is a bottom plan view thereof.

The broken lines shown in the drawings illustrate features of the article of manufacture that form no part of the claimed design.

1 Claim, 9 Drawing Sheets



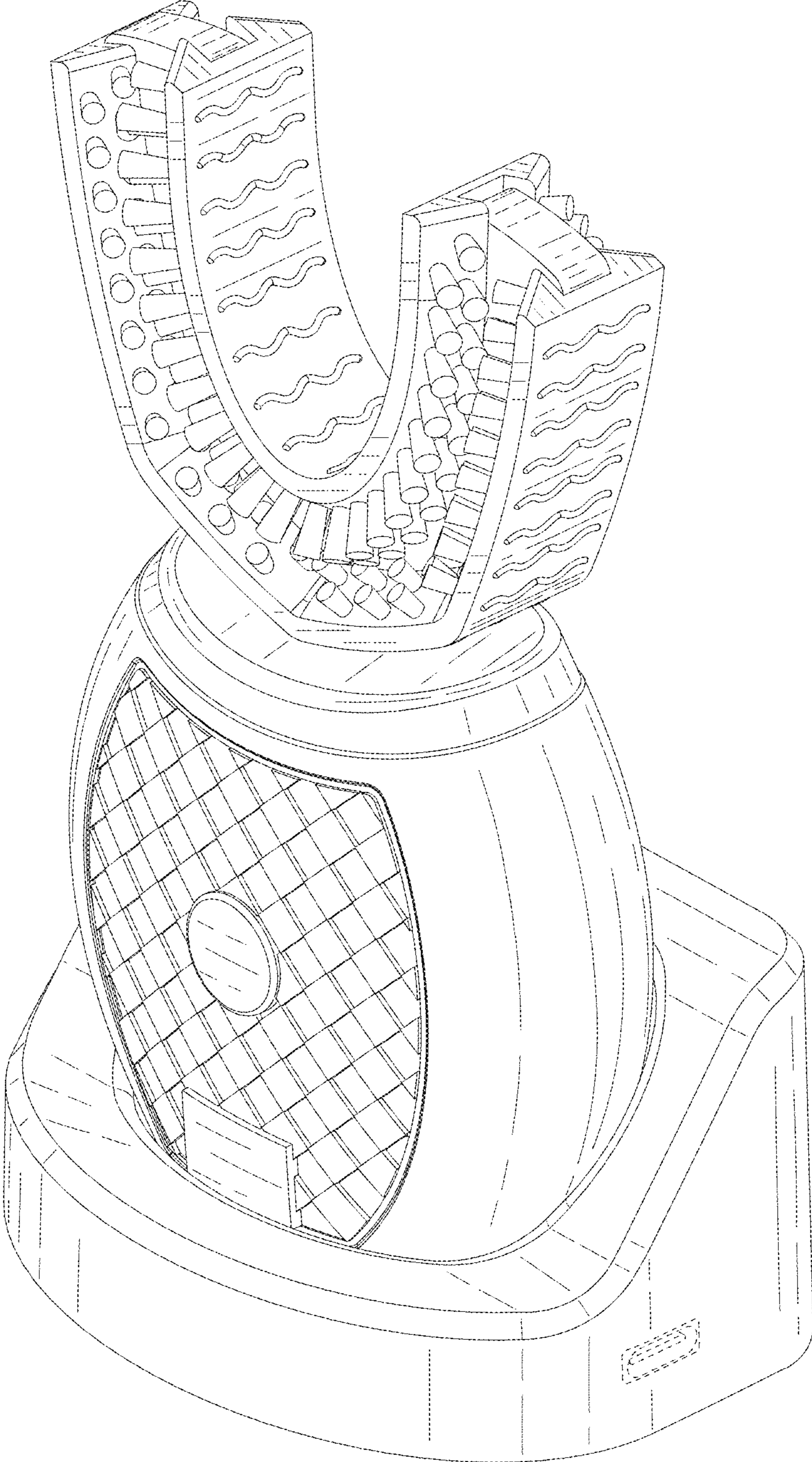


FIG. 1

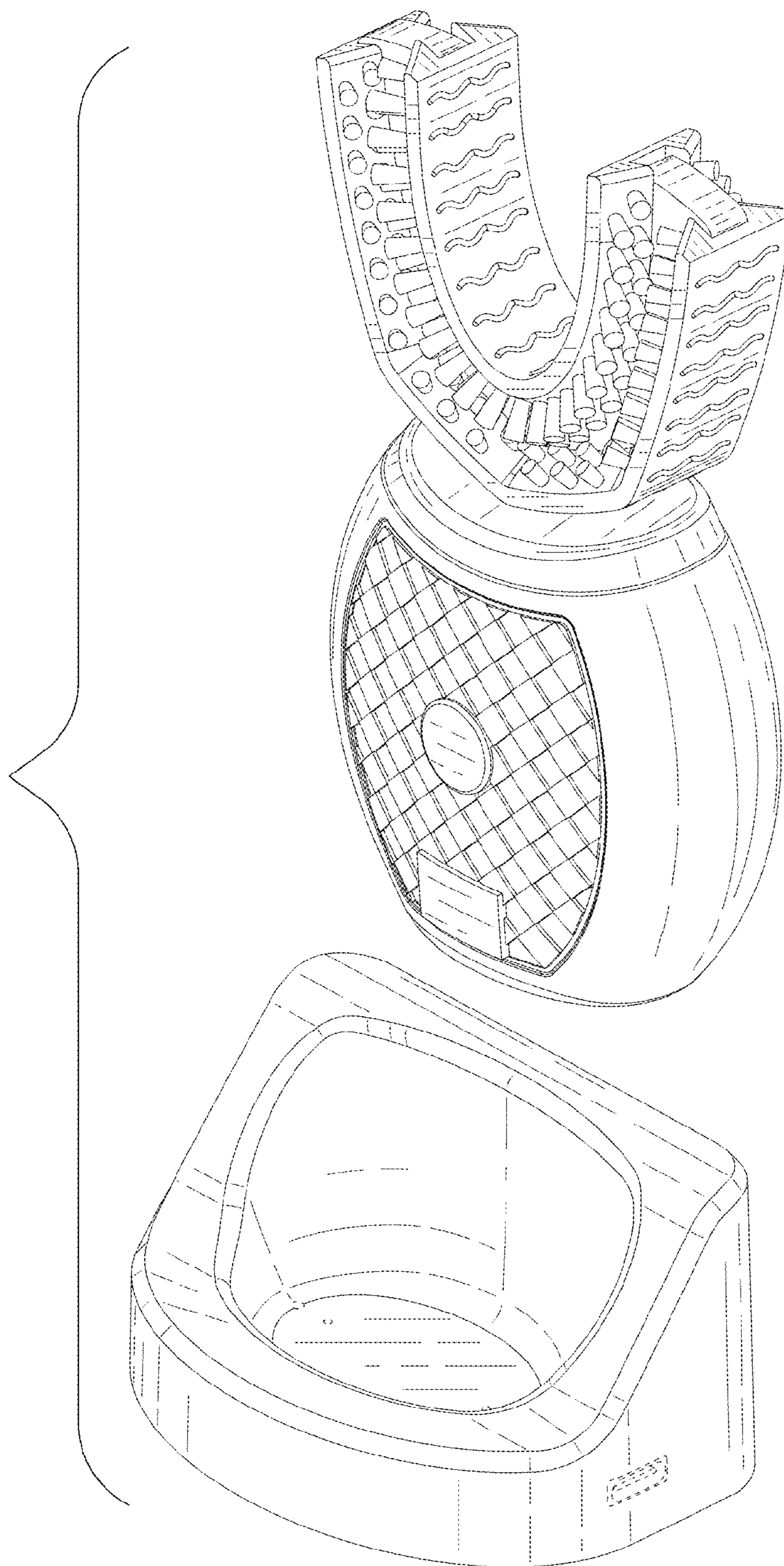


FIG. 2

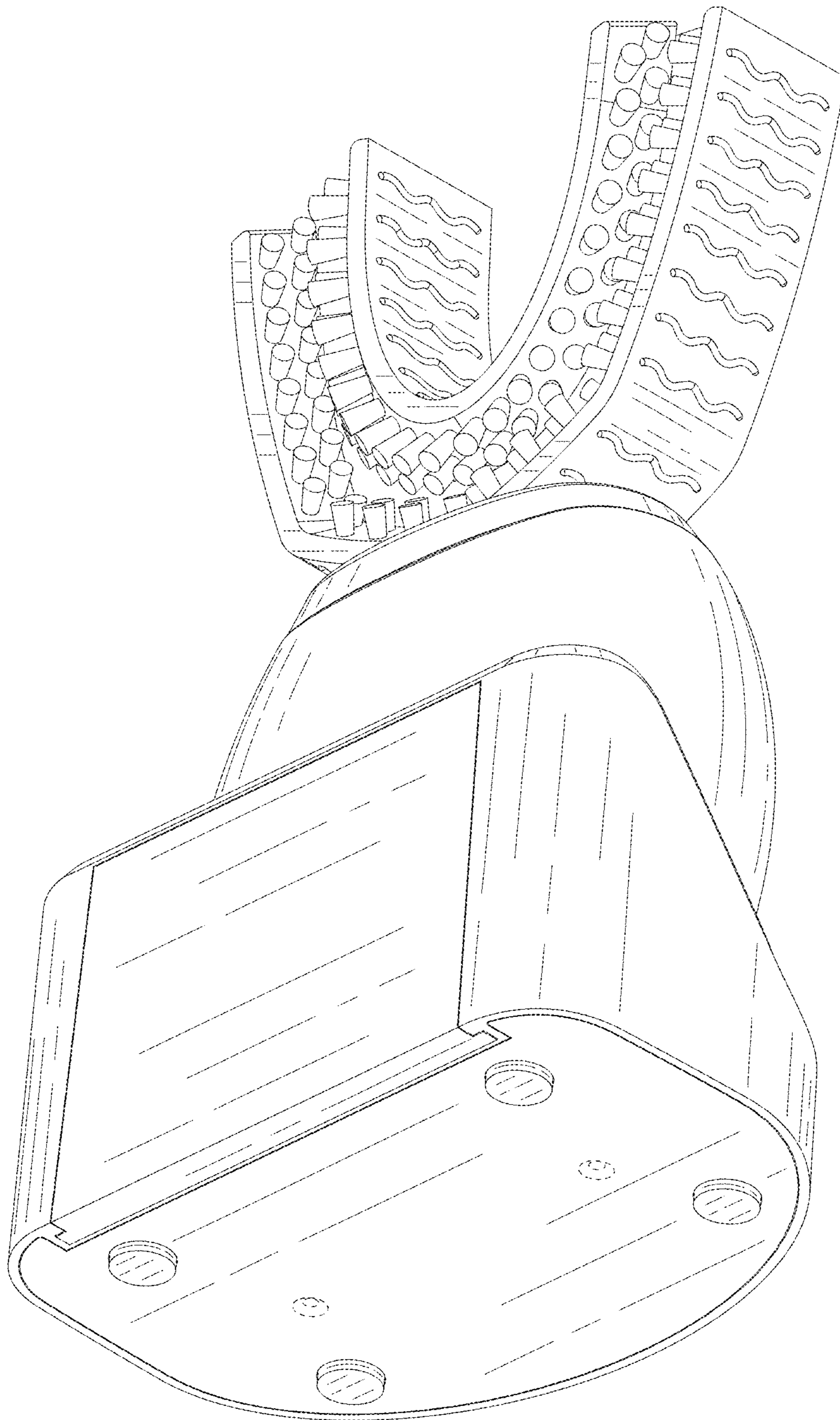


FIG. 3

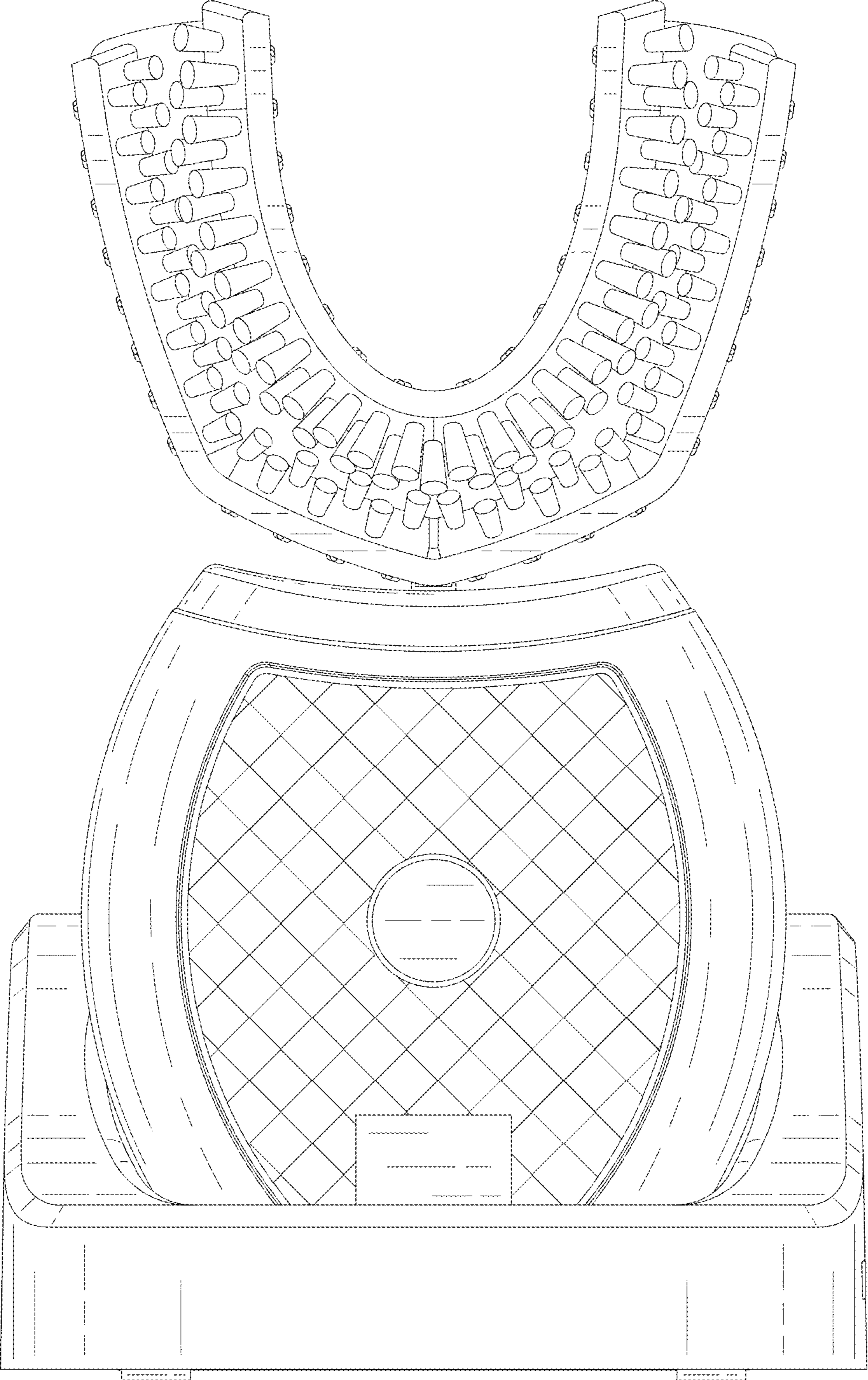


FIG. 4

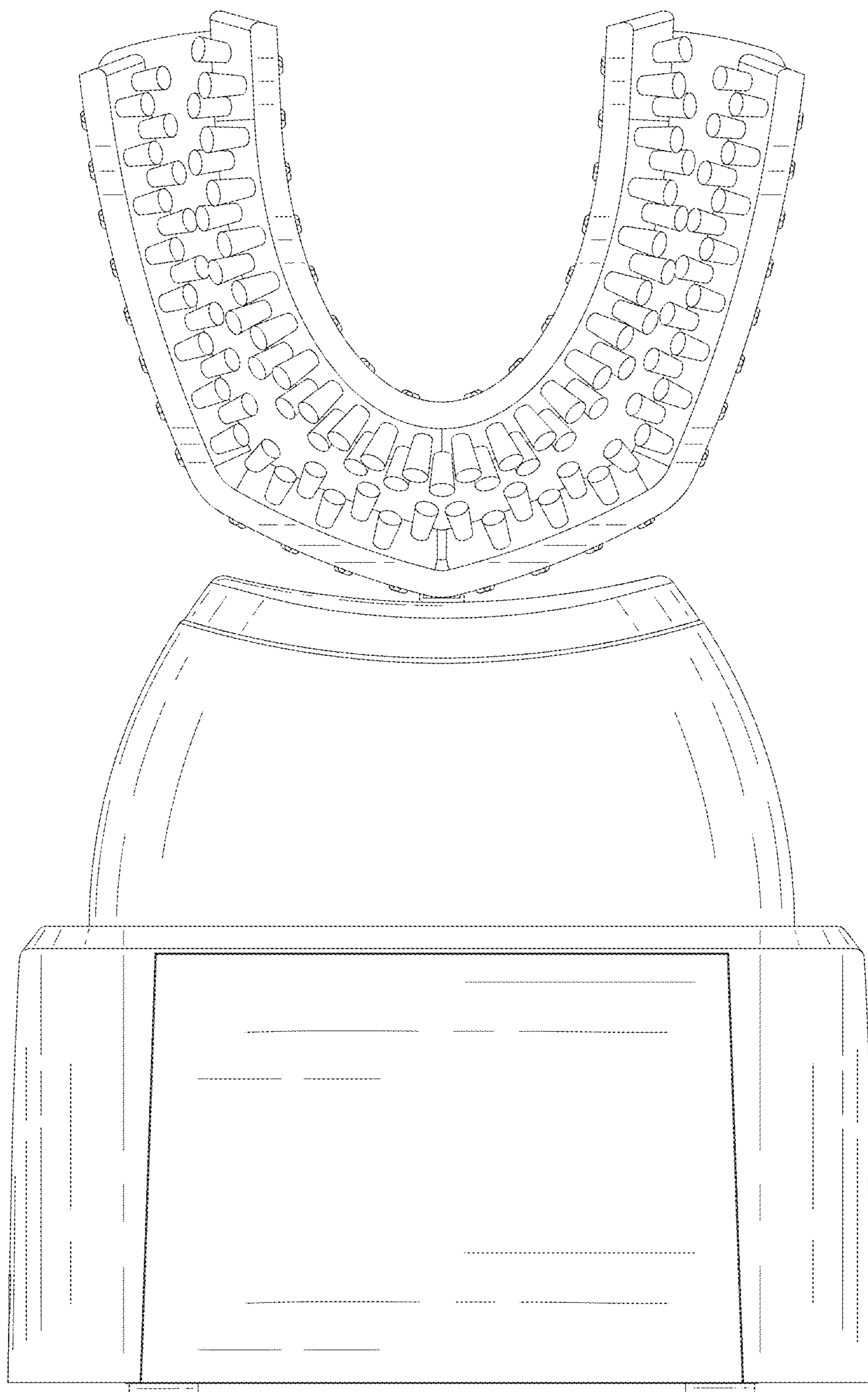


FIG. 5

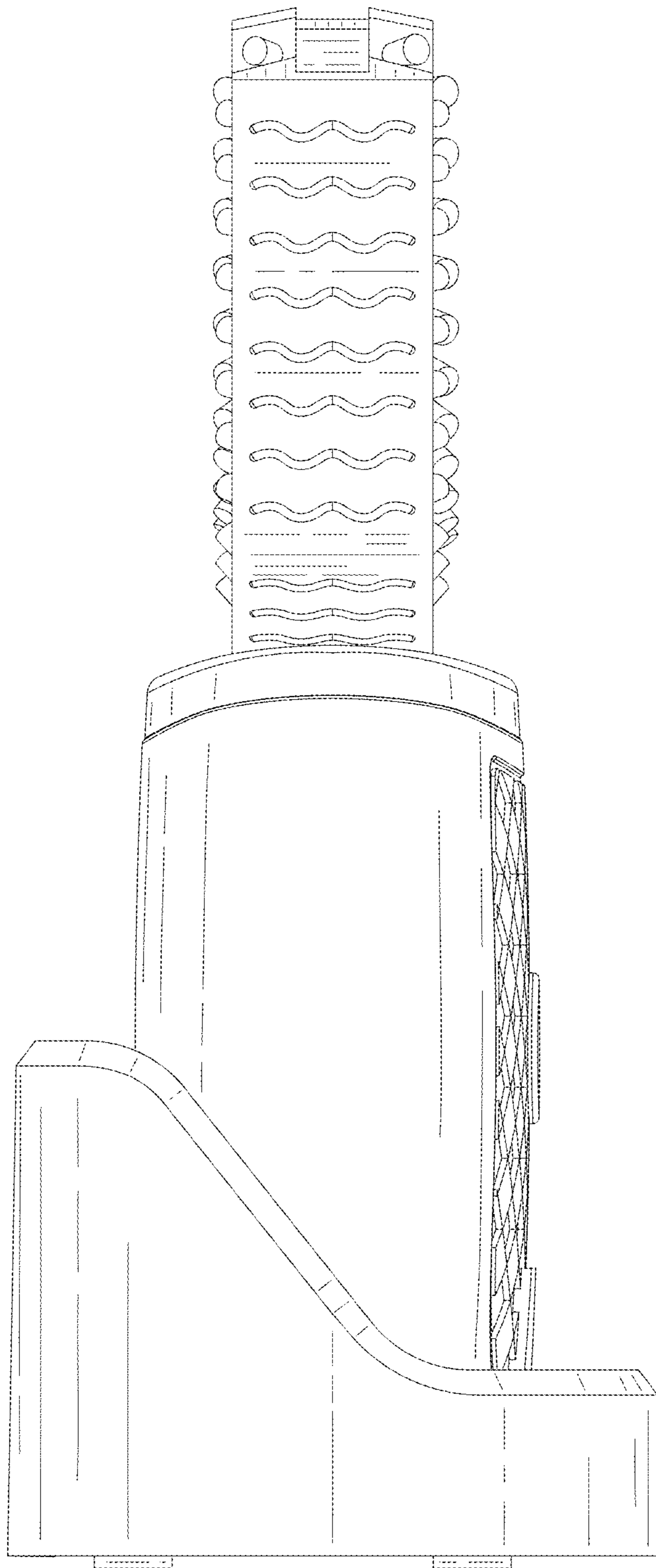


FIG. 6

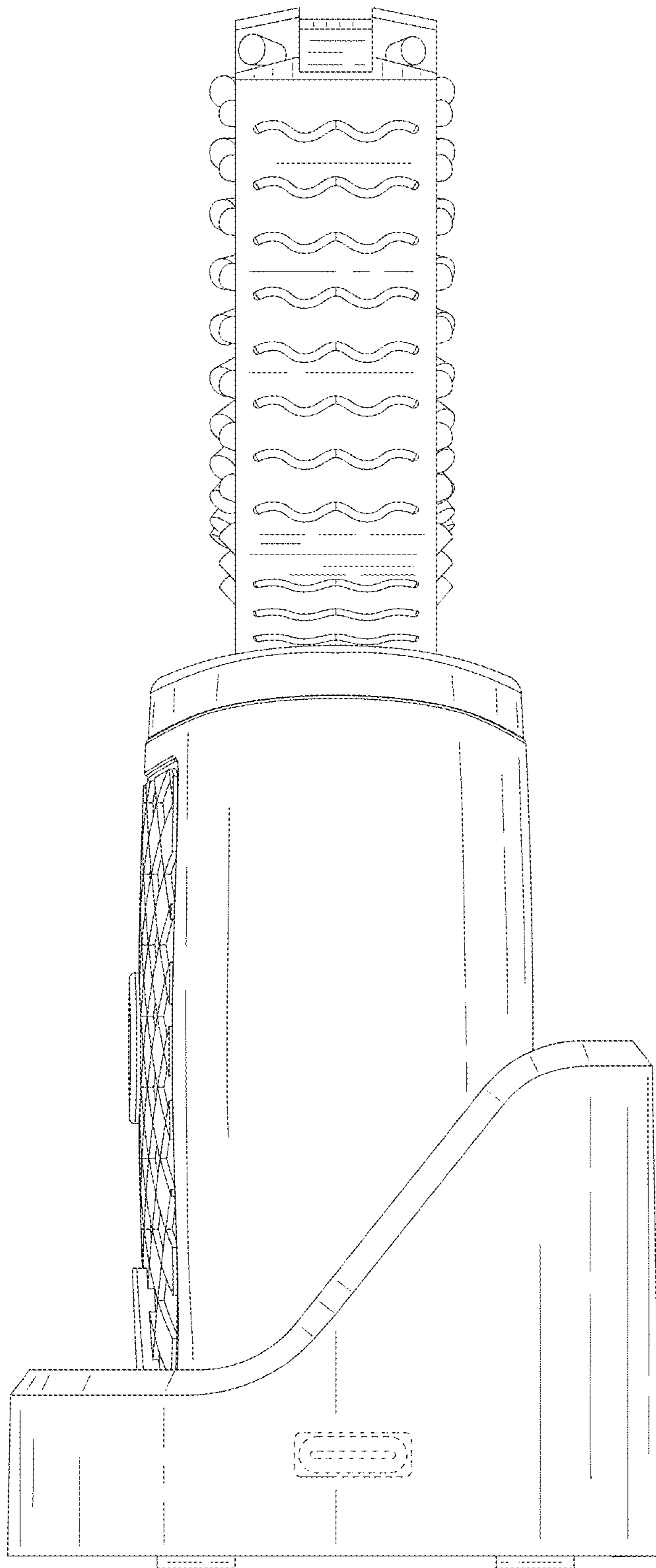


FIG. 7

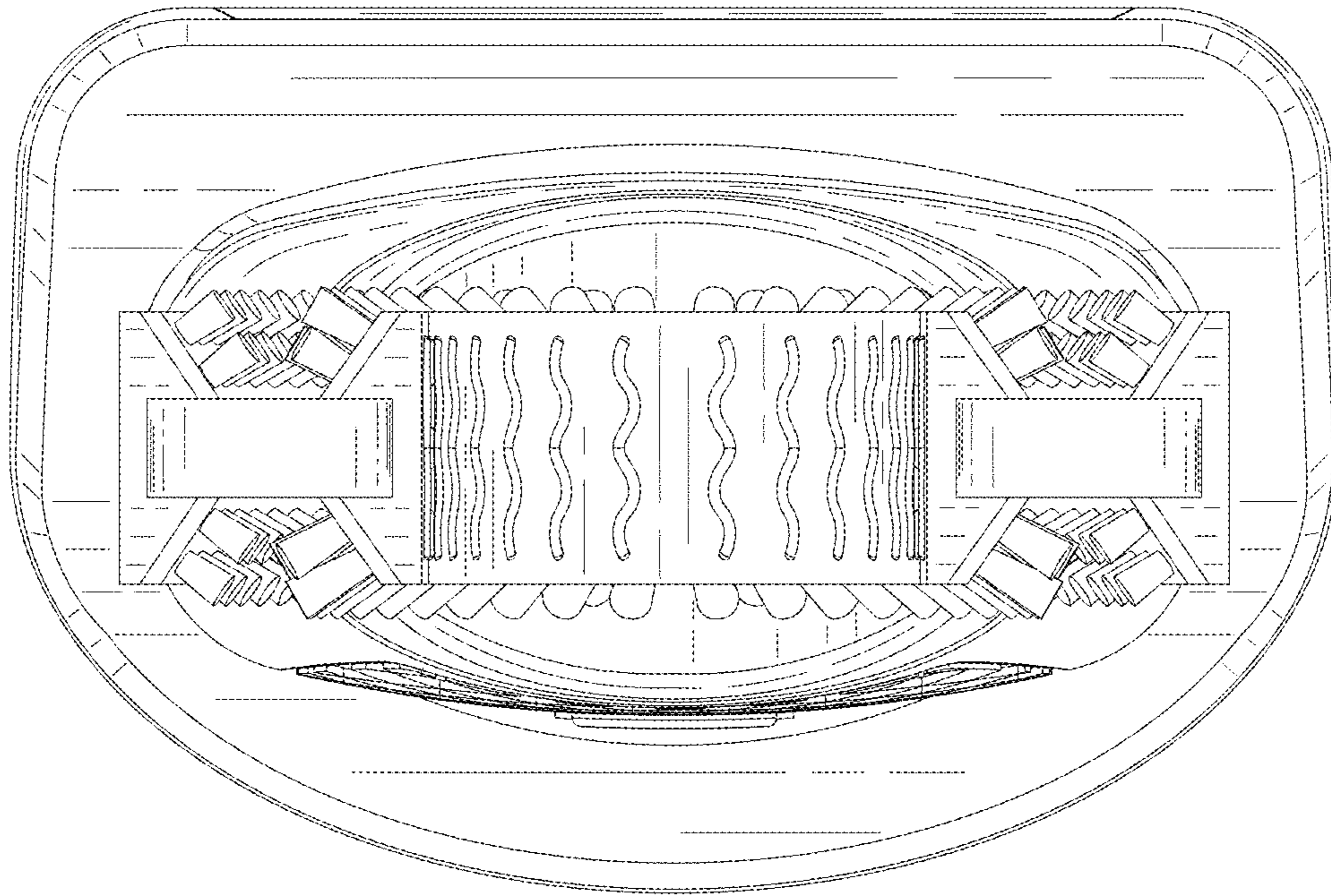


FIG. 8

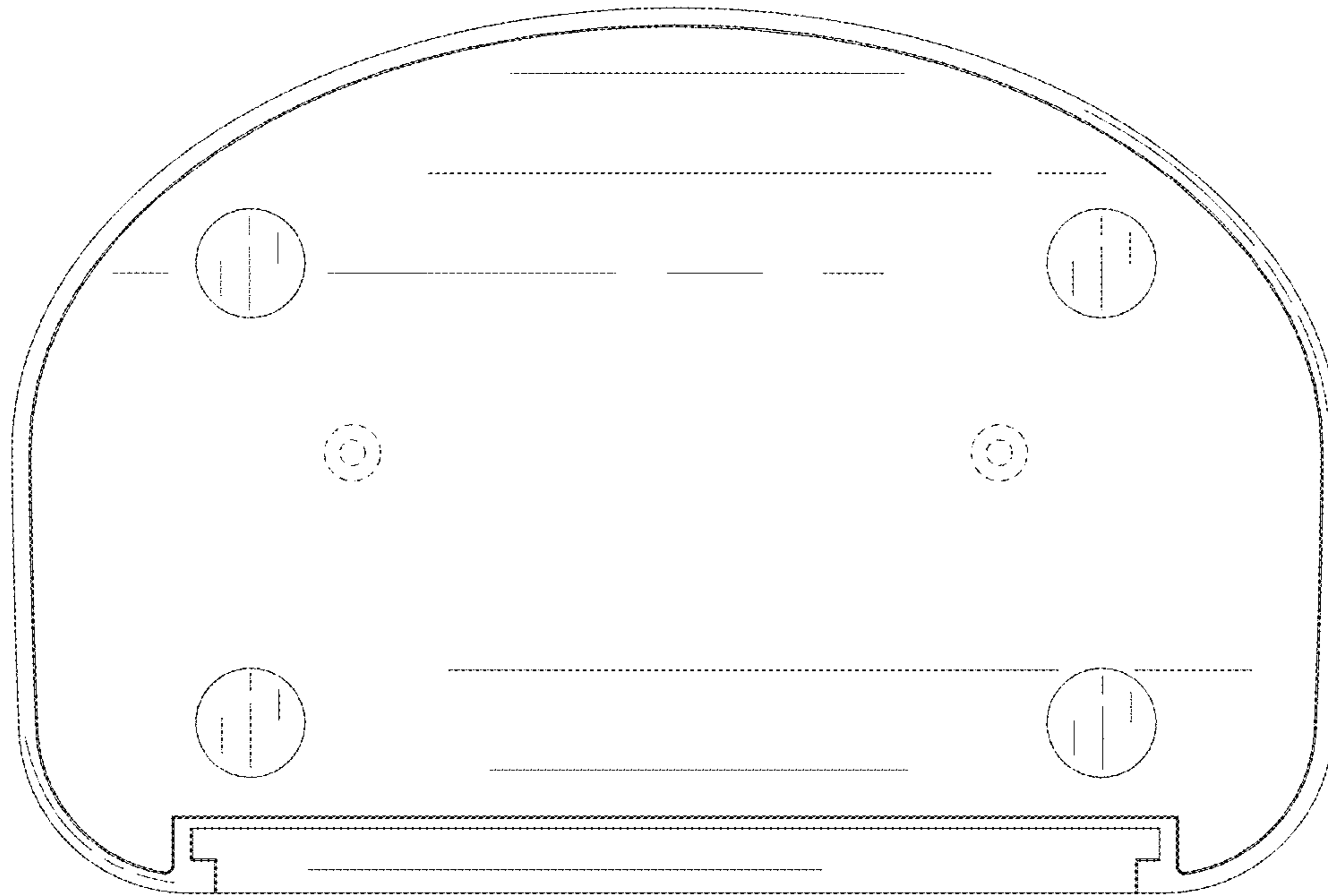


FIG. 9