



US00D964040S

(12) **United States Design Patent**  
**Feng**

(10) **Patent No.:** **US D964,040 S**

(45) **Date of Patent:** **\*\* Sep. 20, 2022**

(54) **TOOTHBRUSH HEAD**

(71) Applicant: **Shenzhen Jinfeng Daily Chemical Technology Co., Ltd., Shenzhen (CN)**

(72) Inventor: **Jian Feng, Gaozhou (CN)**

(\*\*) Term: **15 Years**

(21) Appl. No.: **29/795,726**

(22) Filed: **Jun. 21, 2021**

(51) **LOC (13) Cl.** ..... **28-03**

(52) **U.S. Cl.**  
USPC ..... **D4/101**

(58) **Field of Classification Search**  
USPC ..... D4/100, 101, 102, 104, 105, 106, 107,  
D4/108, 109, 110, 111, 112, 113, 199  
CPC ..... A46B 2200/1066; A46B 9/04  
See application file for complete search history.

(56) **References Cited**

**U.S. PATENT DOCUMENTS**

D577,199 S	9/2008	Zhuan	
D606,317 S	12/2009	Driesen et al.	
D660,001 S *	5/2012	Peluso	D4/138
8,387,196 B2 *	3/2013	Jimenez	A46B 9/06 15/207.2

D734,614 S	7/2015	Driesen et al.	
D824,174 S *	7/2018	Altmann	D4/101
D831,358 S	10/2018	Altmann et al.	
D838,990 S *	1/2019	Liu	D4/101
D854,834 S	7/2019	Altmann et al.	
D863,773 S *	10/2019	Hu	D4/101
D874,156 S	2/2020	Altmann et al.	
D886,459 S *	6/2020	Yuan	D4/101
D887,011 S *	6/2020	Wei	D24/190
D932,323 S *	10/2021	Dai	D10/57

\* cited by examiner

*Primary Examiner* — Karen E Eldridge Powers

(74) *Attorney, Agent, or Firm* — Rumit Ranjit Kanakia

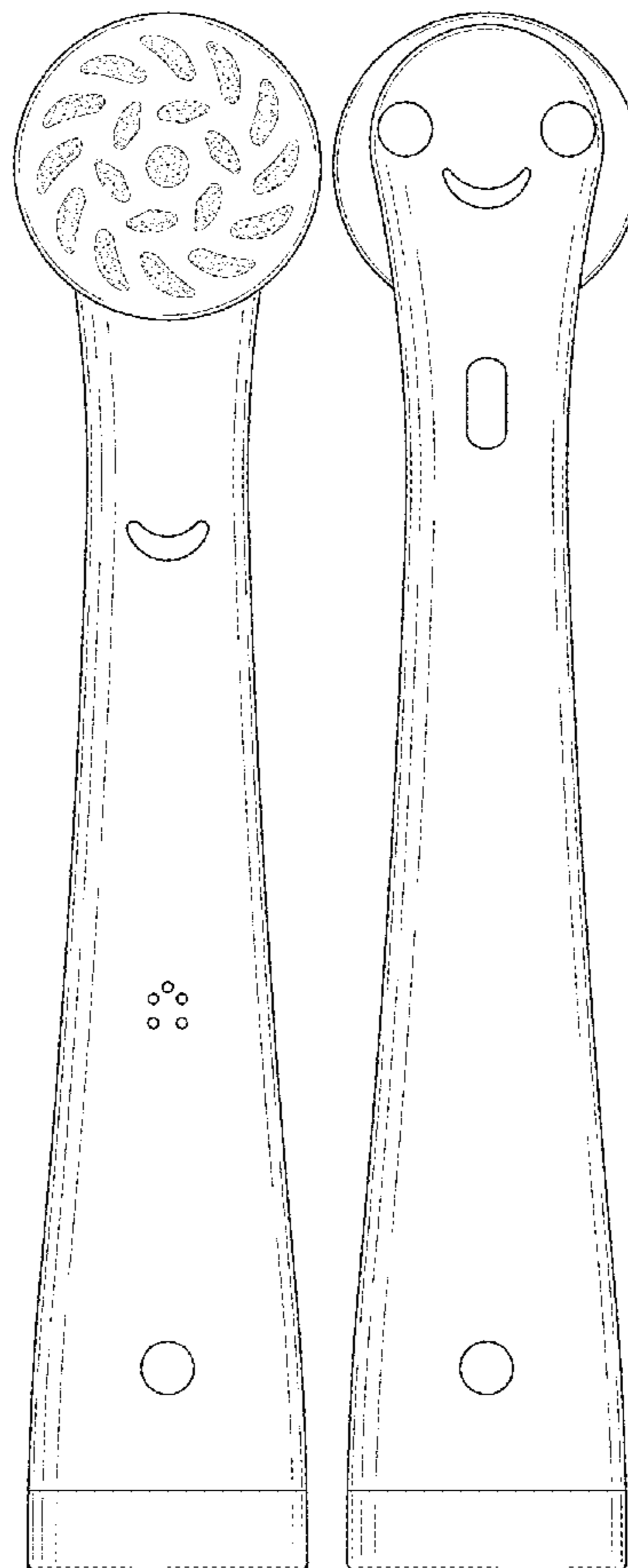
(57) **CLAIM**

I claim the ornamental design for a toothbrush head, as shown and described.

**DESCRIPTION**

FIG. 1 is a front, top and right side perspective view of a toothbrush head showing my new design; FIG. 2 is a front elevational view thereof; FIG. 3 is a back elevational view thereof; FIG. 4 is a right-side elevational view thereof; FIG. 5 is a left-side elevational view thereof; FIG. 6 is a top plan view thereof; and, FIG. 7 is a bottom plan view thereof. The broken lines in the drawings depict portions of the toothbrush head that form no part of the claimed design.

**1 Claim, 7 Drawing Sheets**



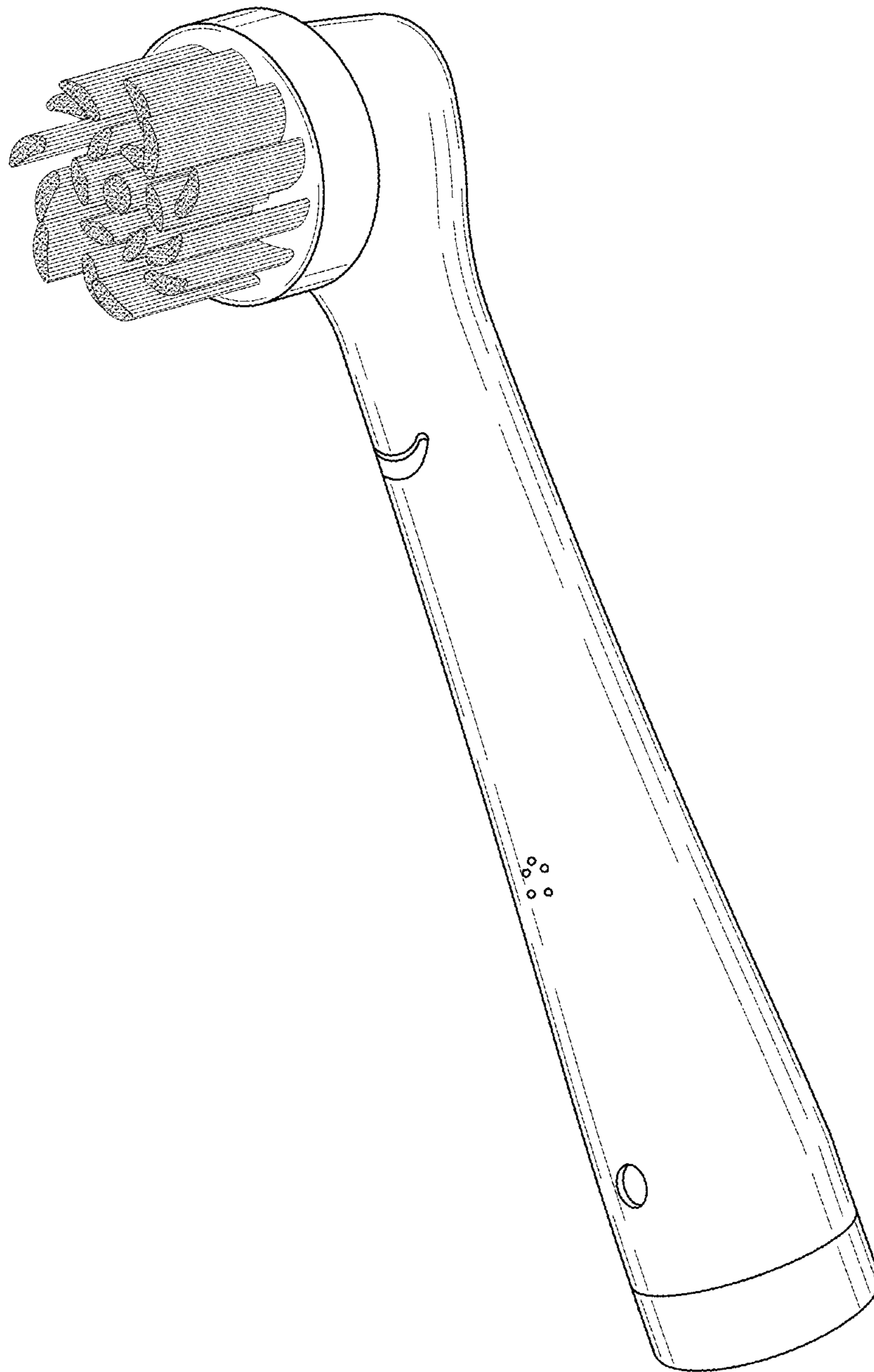


FIG. 1

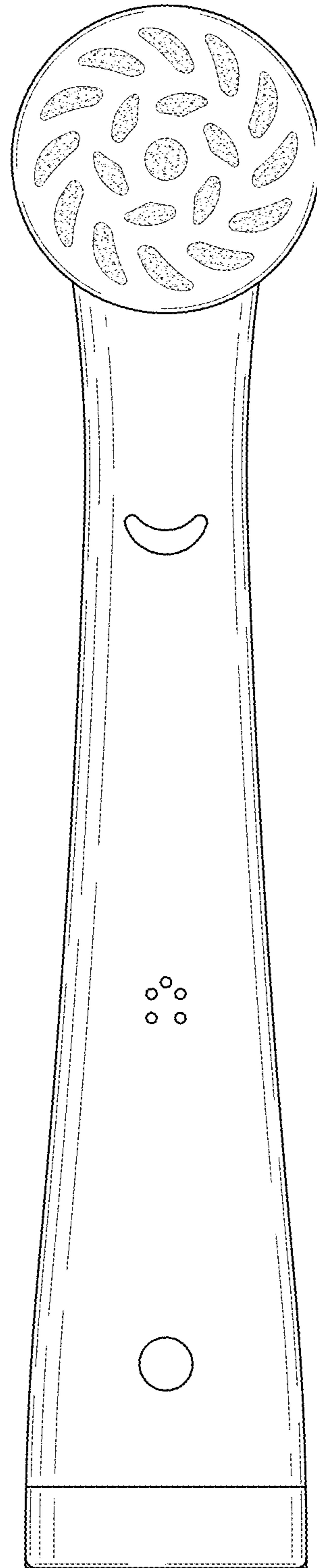


FIG. 2

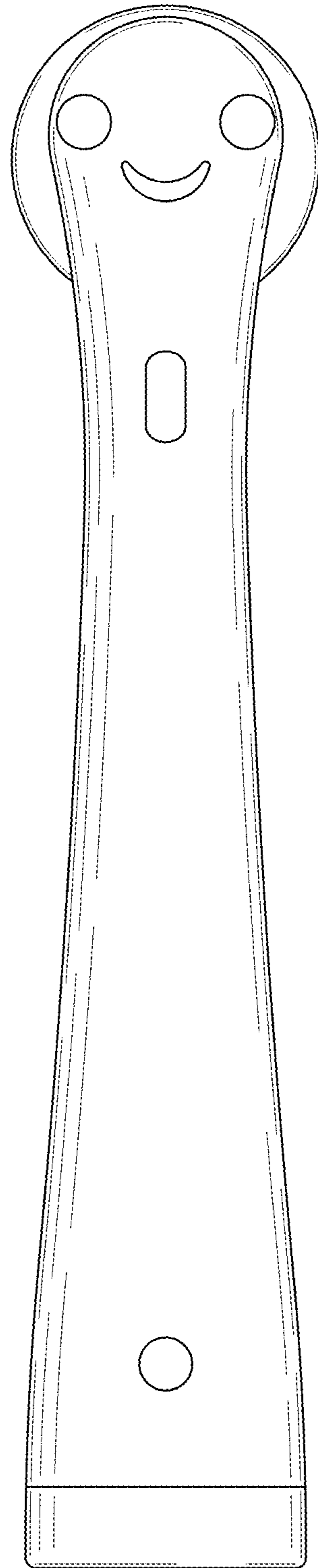


FIG. 3

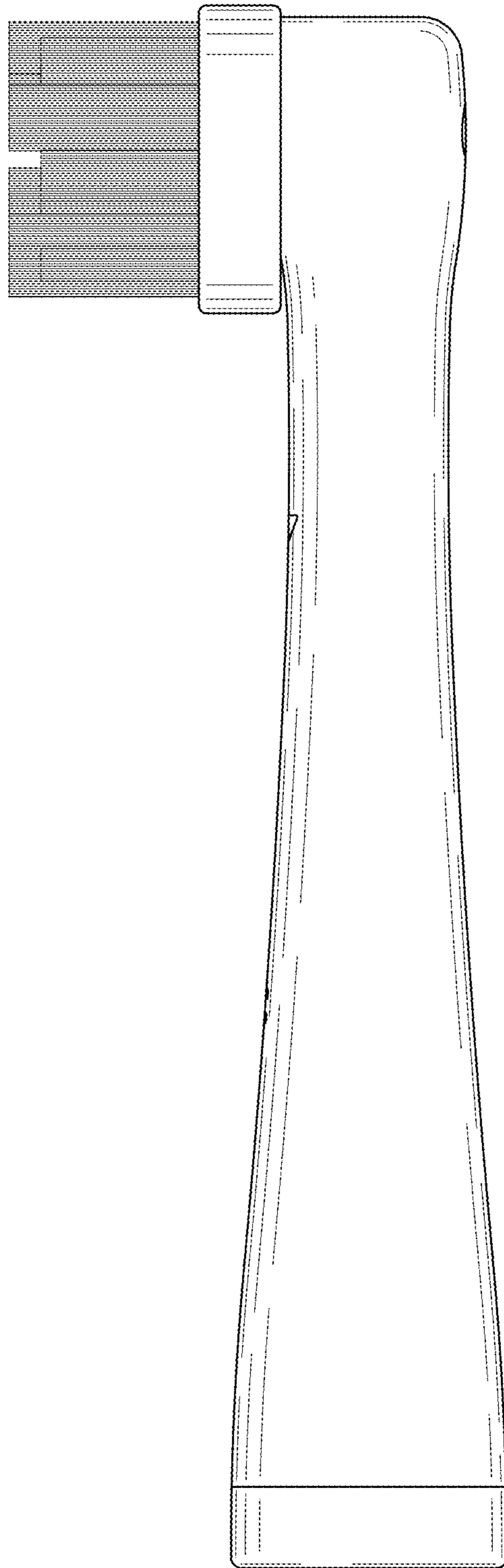


FIG. 4

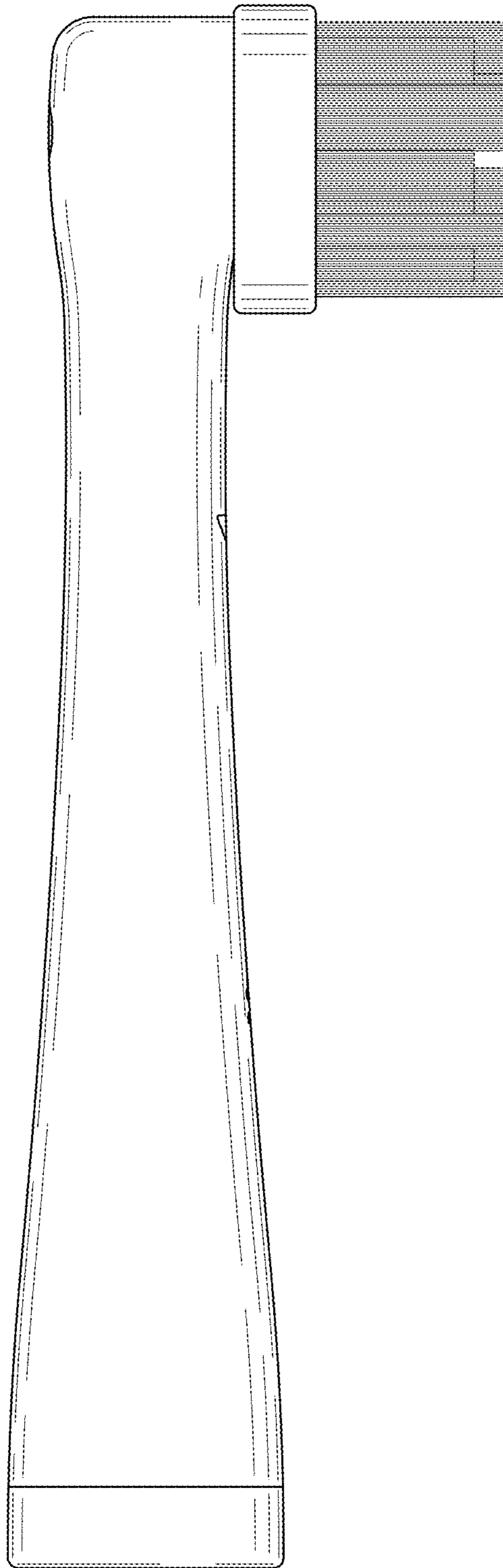


FIG. 5

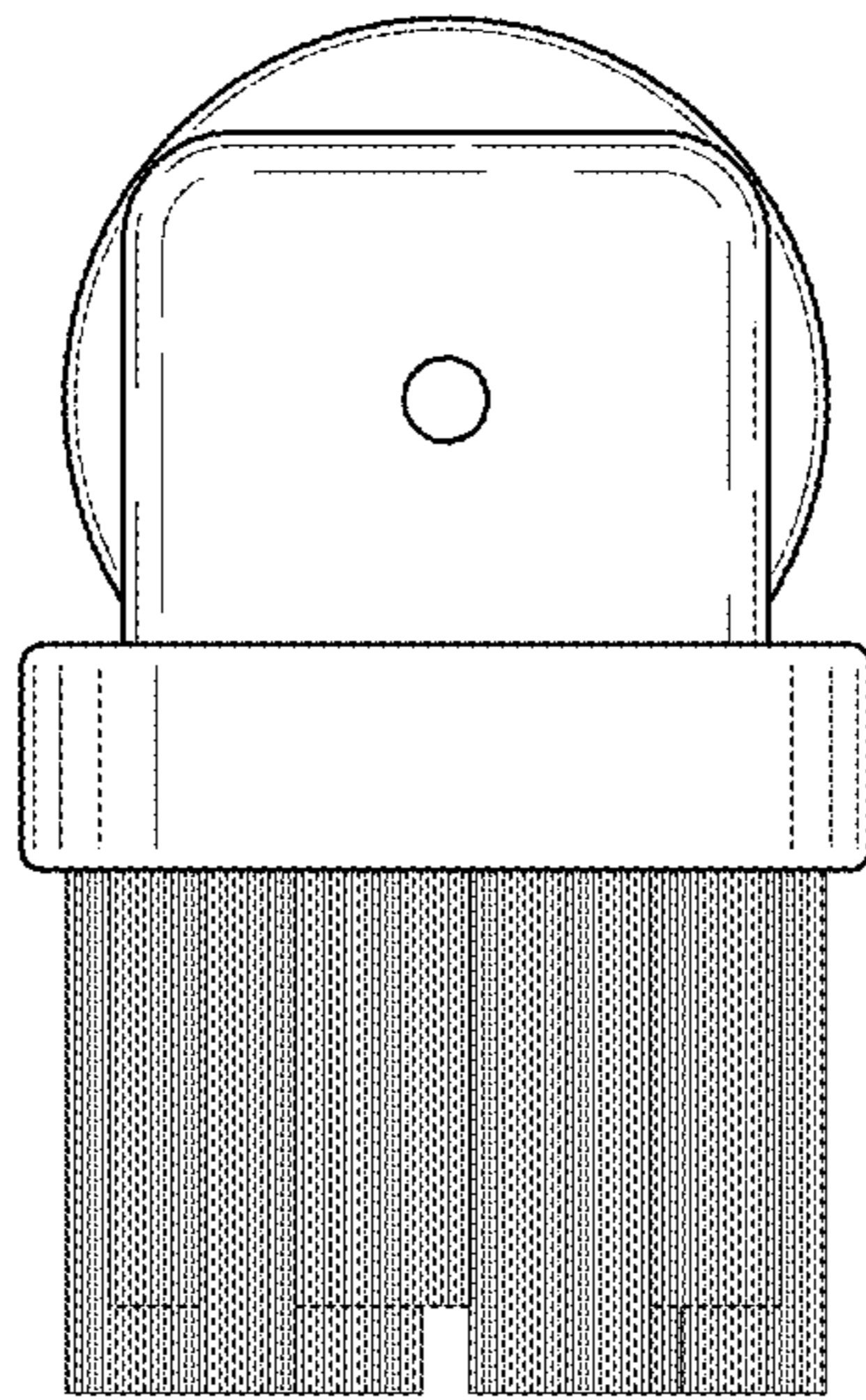


FIG. 6



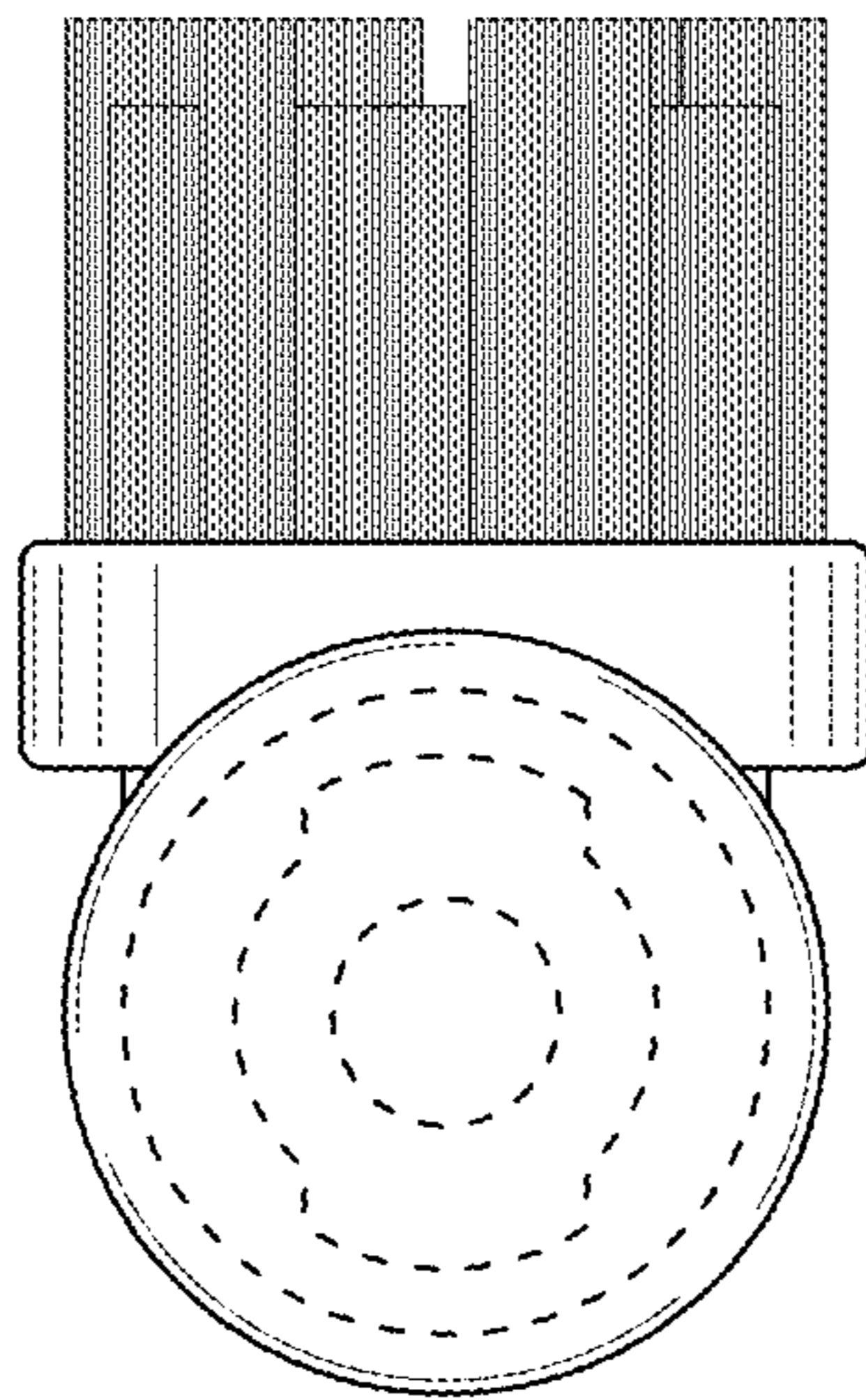


FIG. 7