

US00D964037S

(12) **United States Design Patent**
Cheers et al.

(10) **Patent No.:** **US D964,037 S**
(45) **Date of Patent:** **** Sep. 20, 2022**

(54) **MAGNETIC PURSE FOOT**

(71) Applicants: **Chelcee D'Lynn Cheers**, Creston, IA (US); **Teresa Cheers**, Creston, IA (US)

(72) Inventors: **Chelcee D'Lynn Cheers**, Creston, IA (US); **Teresa Cheers**, Creston, IA (US)

(**) Term: **15 Years**

(21) Appl. No.: **29/745,561**

(22) Filed: **Aug. 6, 2020**

Related U.S. Application Data

(63) Continuation-in-part of application No. 16/162,102, filed on Oct. 16, 2018, now Pat. No. 11,083,266.

(51) **LOC (13) Cl.** **03-01**

(52) **U.S. Cl.**
USPC **D3/318; D3/322**

(58) **Field of Classification Search**
USPC D3/18-20, 231-233, 239-246, 318-325, D3/327, 247-252, 202, 207, 215, 218; D2/627-640, 946, 971, 976, 916, 925, D2/934; D11/1-18, 31, 81, 200, 201, D11/204, 211, 216, 219, 231, 234, 26, 30, D11/62, 237, 34, 78; D7/392.1; D28/7; D9/503-504; D6/710, 718; D8/355
CPC .. A45C 1/024; A45C 3/06; A45C 3/08; A45F 5/00; A45F 5/10
See application file for complete search history.

(56) **References Cited**

U.S. PATENT DOCUMENTS

- 1,852,455 A * 4/1932 Friedman A45D 33/00 D19/75
- 3,288,405 A * 11/1966 Johnson F16F 1/371 267/153
- D264,307 S * 5/1982 Capelouto D9/503
- D377,757 S * 2/1997 Bertolini D9/503

- D469,992 S * 2/2003 Lasota D8/374
- D562,699 S * 2/2008 Green D9/504
- D587,016 S * 2/2009 Yasoshima D4/137
- D623,798 S * 9/2010 Huynh D28/7
- D657,249 S * 4/2012 Bakic D9/503
- D657,252 S * 4/2012 Crapser D9/504
- D692,759 S * 11/2013 Rapparini D9/500
- D727,567 S * 4/2015 Bunkley D28/7
- D765,512 S * 9/2016 Joulia D28/7
- D822,979 S * 7/2018 Wang D2/976
- D837,653 S * 1/2019 Meranus D9/521
- D902,017 S * 11/2020 Lin D8/355
- D915,206 S * 4/2021 Lisowski D9/504

(Continued)

FOREIGN PATENT DOCUMENTS

CN 302775663 * 4/2014

OTHER PUBLICATIONS

Amazon.ca, Site visited Mar. 30, 2022, LQ Industrial Purse Feet, First available Sep. 24, 2017, <https://www.amazon.ca/LQ-Industrial-Handbag-Nailhead-Screw-Back/dp/B075L77ZNG> (Year: 2017).*

(Continued)

Primary Examiner — Brett Miller
Assistant Examiner — Jessica M Gebhart

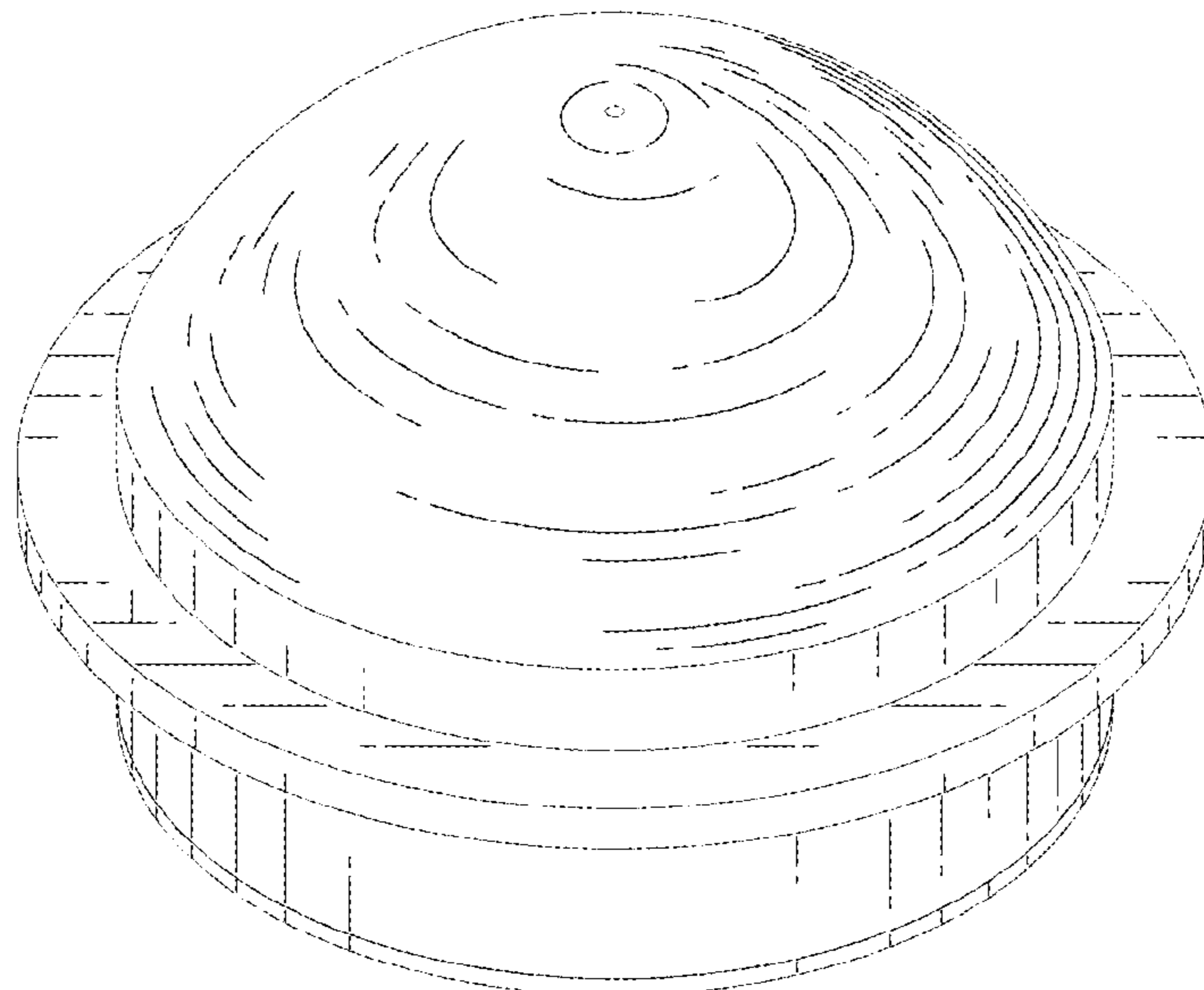
(57) **CLAIM**

The ornamental design for a magnetic purse foot, as shown and described.

DESCRIPTION

FIG. 1 is a front-top perspective view of a magnetic purse foot showing our new design;
FIG. 2 is a top elevation view thereof;
FIG. 3 is a bottom elevation view thereof;
FIG. 4 is a left-plan view thereof; and,
FIG. 5 is a right-plan view thereof.

1 Claim, 5 Drawing Sheets



(56)

References Cited

U.S. PATENT DOCUMENTS

D945,112 S * 3/2022 Rowe D1/122

OTHER PUBLICATIONS

Amazon.com, Site visited Mar. 30, 2022, dME Distribution Bolt Protection Cap, First available Dec. 17, 2018, <https://www.amazon.com/dME-DISTRIBUTION-Bolt-Protection-Cap/dp/B07LFNPRPJ> (Year: 2018).*

Amazon.com, Site visited Mar. 30, 2022, Cyclamen9 Magnetic Snap Buttons, First available Oct. 24, 2018, <https://www.amazon.com/Magnetic-Buttons-Fasteners-Clothing-Colorful/dp/B07G7622SC> (Year: 2018).*

* cited by examiner

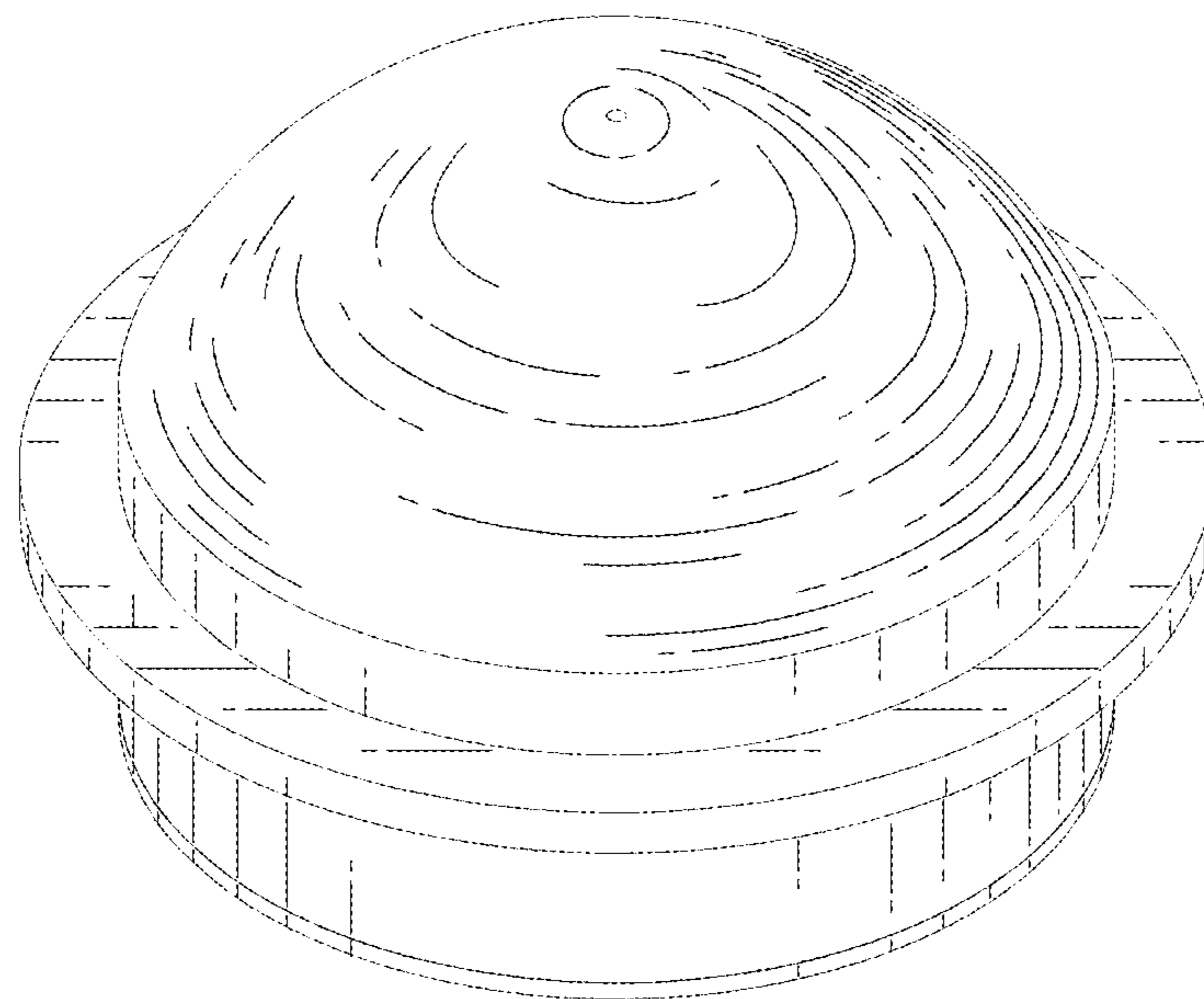


FIG. 1

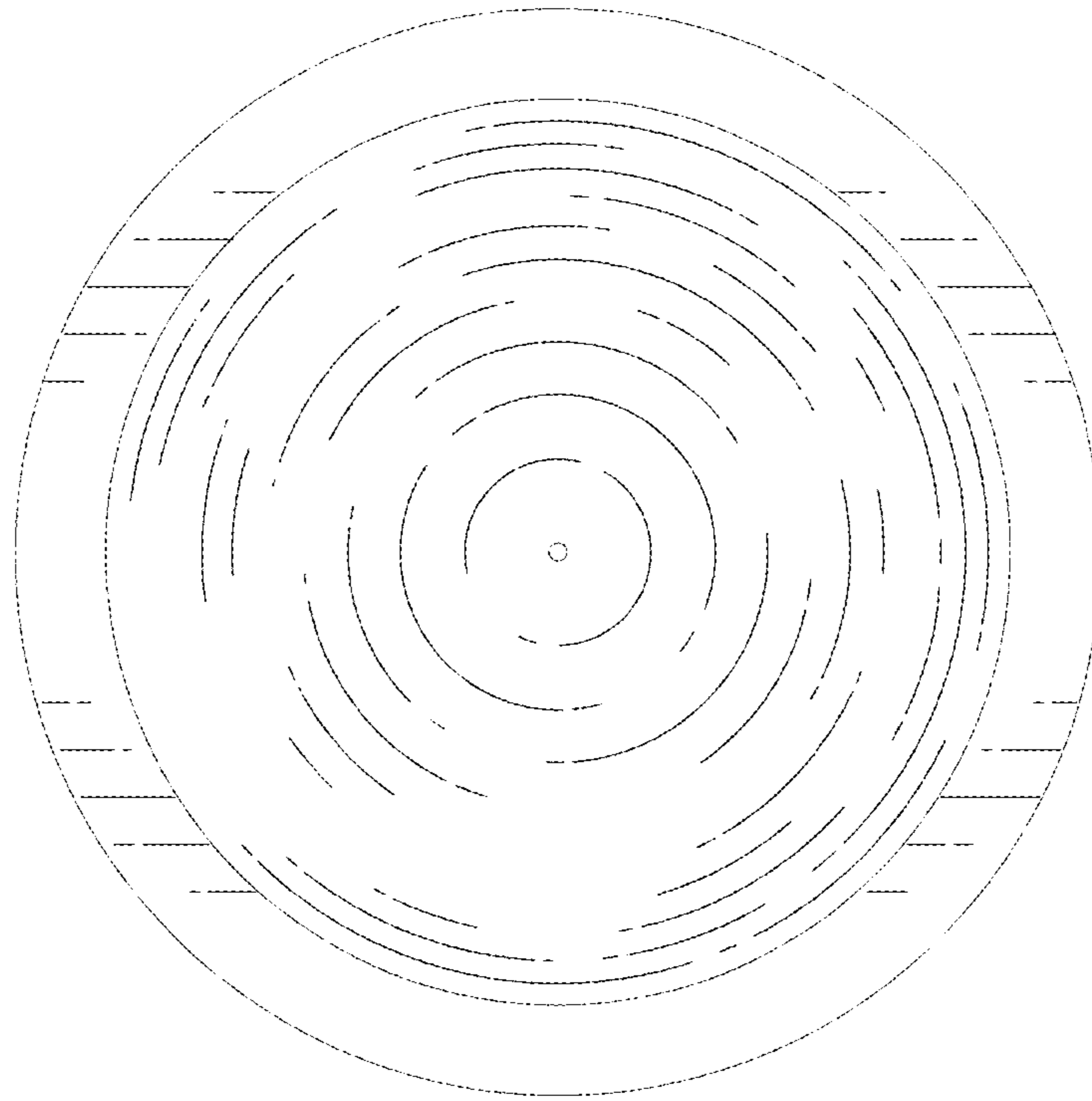


FIG. 2

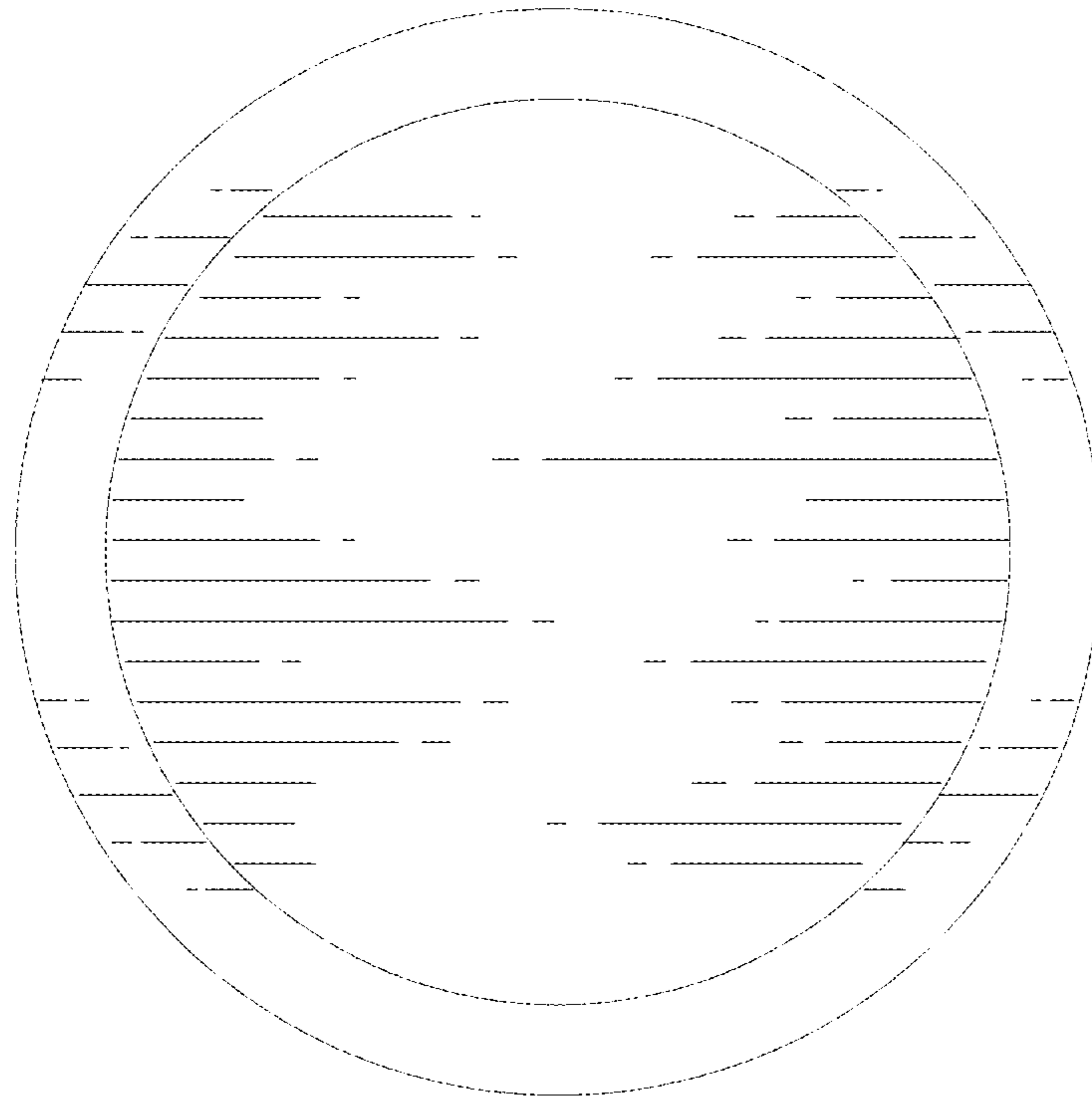


FIG. 3

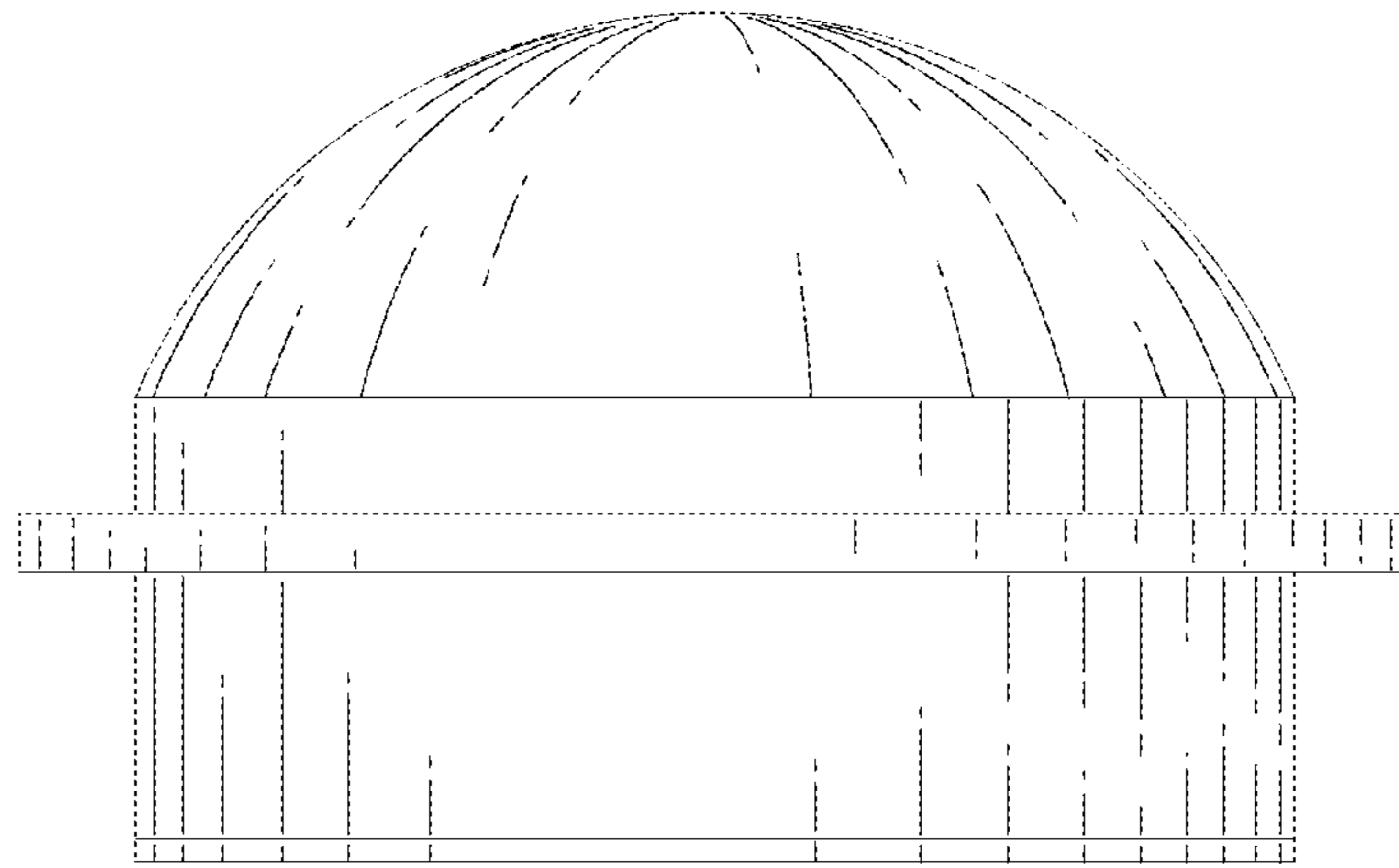


FIG. 4

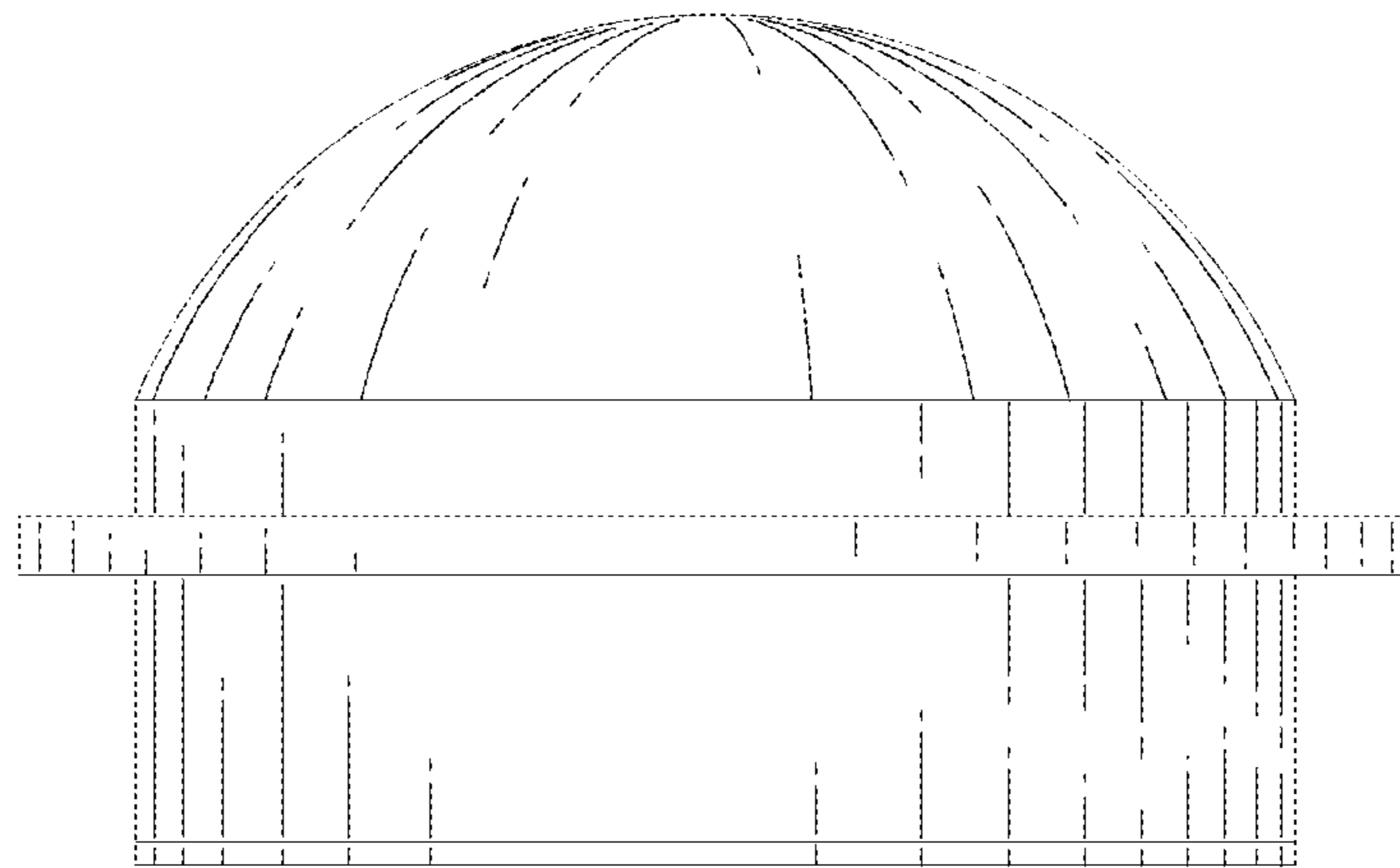


FIG. 5