



US00D964036S

(12) **United States Design Patent**  
**Huang**

(10) **Patent No.:** **US D964,036 S**  
(45) **Date of Patent:** **\*\* Sep. 20, 2022**

- (54) **TABLEWARE BAG**
- (71) Applicant: **Xizhong Huang**, Jieyang (CN)
- (72) Inventor: **Xizhong Huang**, Jieyang (CN)
- (\*\*) Term: **15 Years**
- (21) Appl. No.: **29/799,502**
- (22) Filed: **Jul. 14, 2021**
- (51) **LOC (13) Cl.** ..... **03-01**
- (52) **U.S. Cl.**  
USPC ..... **D3/299**
- (58) **Field of Classification Search**  
USPC ..... D3/207, 208, 209, 210, 211, 212, 271.6,  
D3/294, 295, 299, 302, 303, 900, 901,  
D3/903, 905  
CPC ..... A45C 11/20; A45C 11/34; A45C 13/02;  
A45C 11/24; A45C 11/38; A45C  
2011/001; Y10S 190/903; A01K 97/06;  
A61J 1/03  
See application file for complete search history.

D874,147 S 2/2020 Rogers et al.  
D879,462 S \* 3/2020 Si ..... A45C 11/00  
D3/206  
2021/0187894 A1\* 6/2021 Liu ..... A45C 11/00

**OTHER PUBLICATIONS**

VANDBAO Portable Travel Utensils, announced Aug. 11, 2020 [online], [site visited Mar. 15, 2022]. Available from internet, URL: <<https://www.amazon.com/Portable-Utensils-Silverware-Tableware-Stainless/dp/B08FM563XL/?th=1>> (Year: 2020).\*

\* cited by examiner

*Primary Examiner* — Kevin K Rudzinski  
*Assistant Examiner* — Amber J Rabie

(57) **CLAIM**

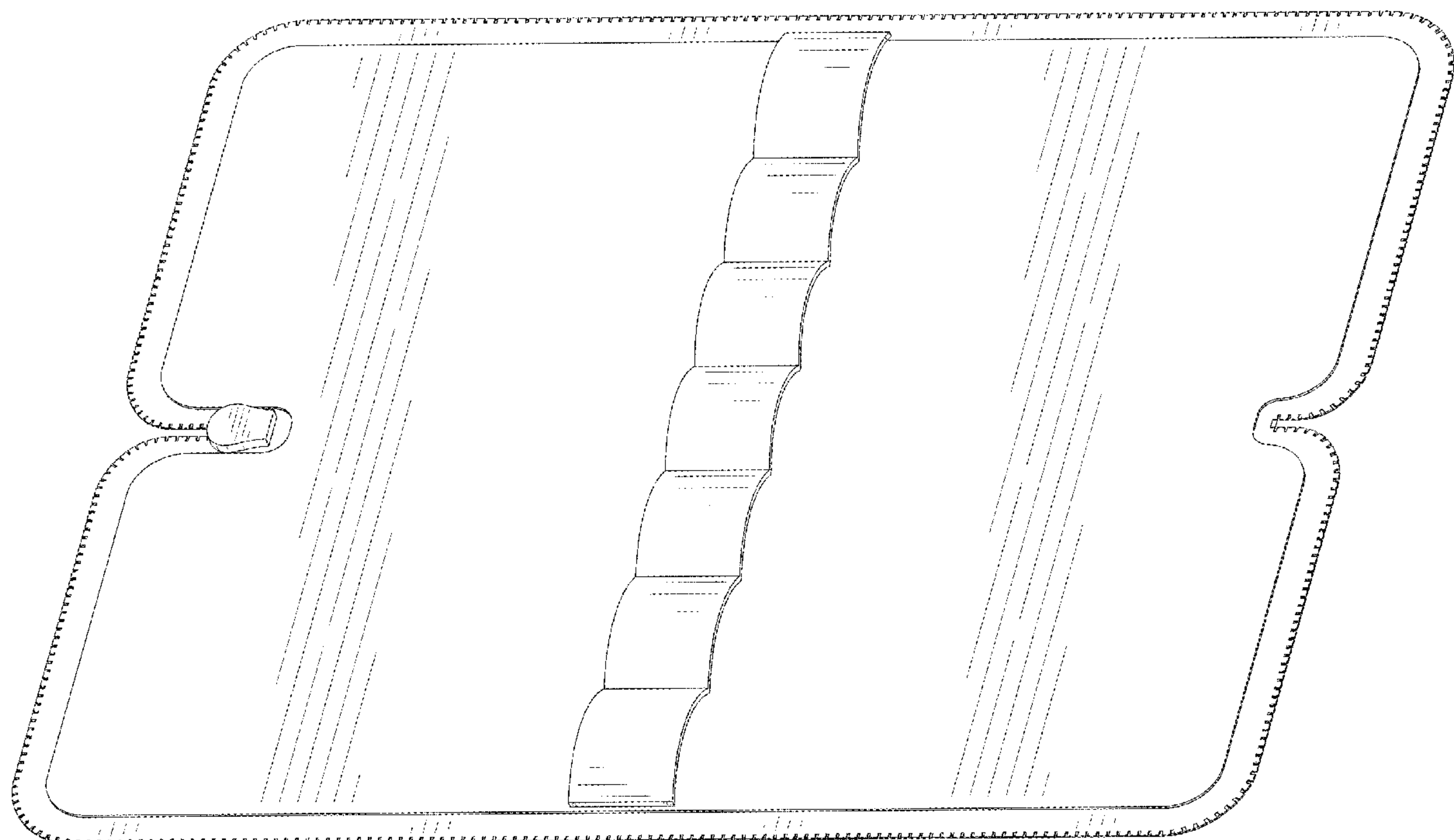
The ornamental design for a tableware bag, as shown and described.

**DESCRIPTION**

FIG. 1 is a perspective view of a tableware bag showing my new design;  
FIG. 2 is another perspective view thereof;  
FIG. 3 is a front elevational view thereof;  
FIG. 4 is a rear elevational view thereof;  
FIG. 5 is a left side elevational view thereof;  
FIG. 6 is a right side elevational view thereof;  
FIG. 7 is a top plan view thereof;  
FIG. 8 is a bottom plan view thereof; and,  
FIG. 9 is a perspective view of the tableware bag where the tableware bag is in a closed state.

**1 Claim, 9 Drawing Sheets**

- (56) **References Cited**  
**U.S. PATENT DOCUMENTS**  
2,000,302 A \* 5/1935 Solomon ..... A45C 11/008  
D3/319  
D306,235 S \* 2/1990 Tamamura ..... D7/637  
D434,796 S \* 12/2000 Coleman ..... D19/27  
D479,041 S \* 9/2003 Fonfeder ..... D3/206  
D782,821 S 4/2017 Fiorello  
D790,211 S \* 6/2017 Constantini ..... D3/205  
D841,312 S \* 2/2019 Lin ..... D3/206  
D857,391 S \* 8/2019 Coleman ..... D3/301



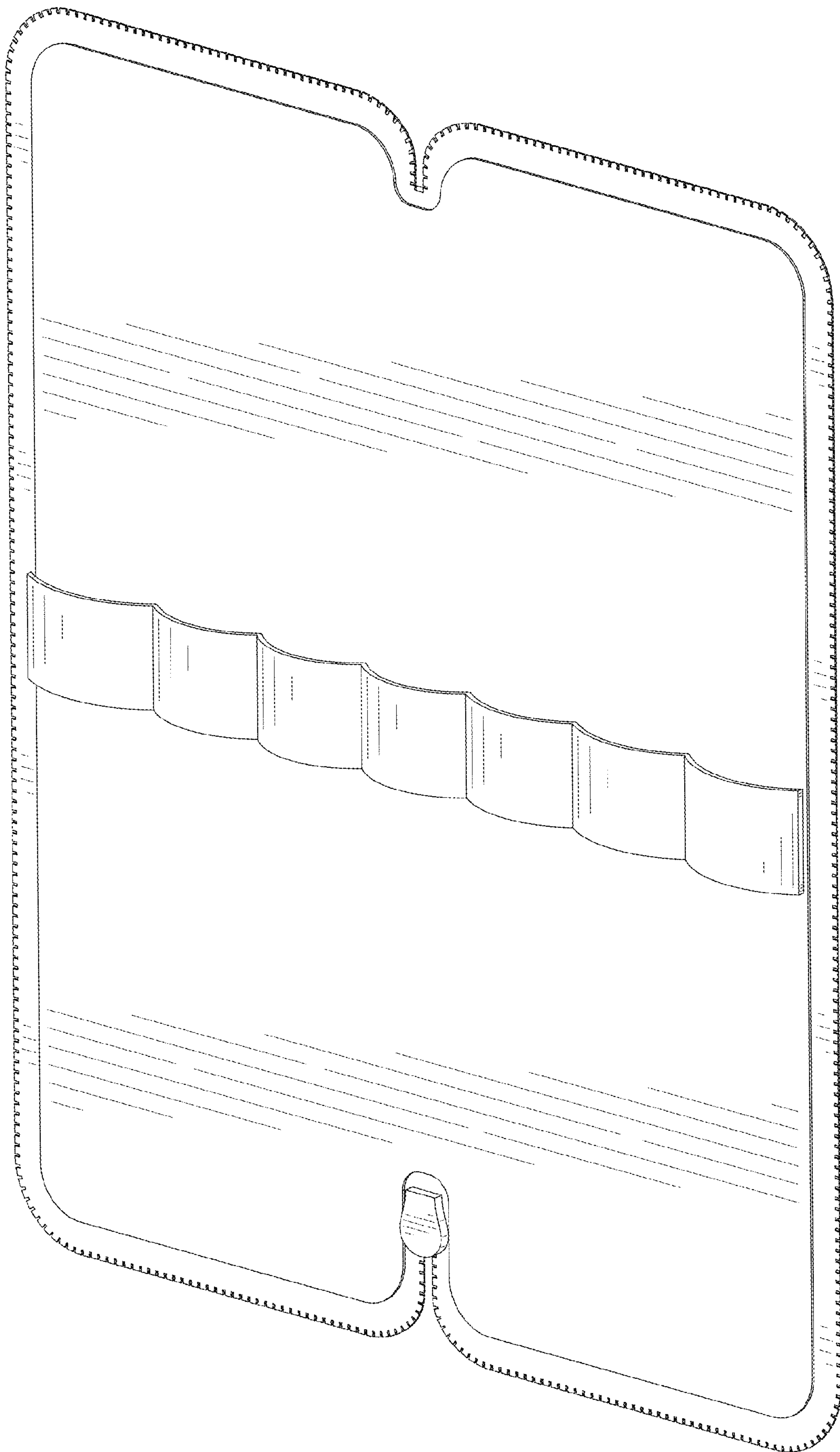


FIG. 1

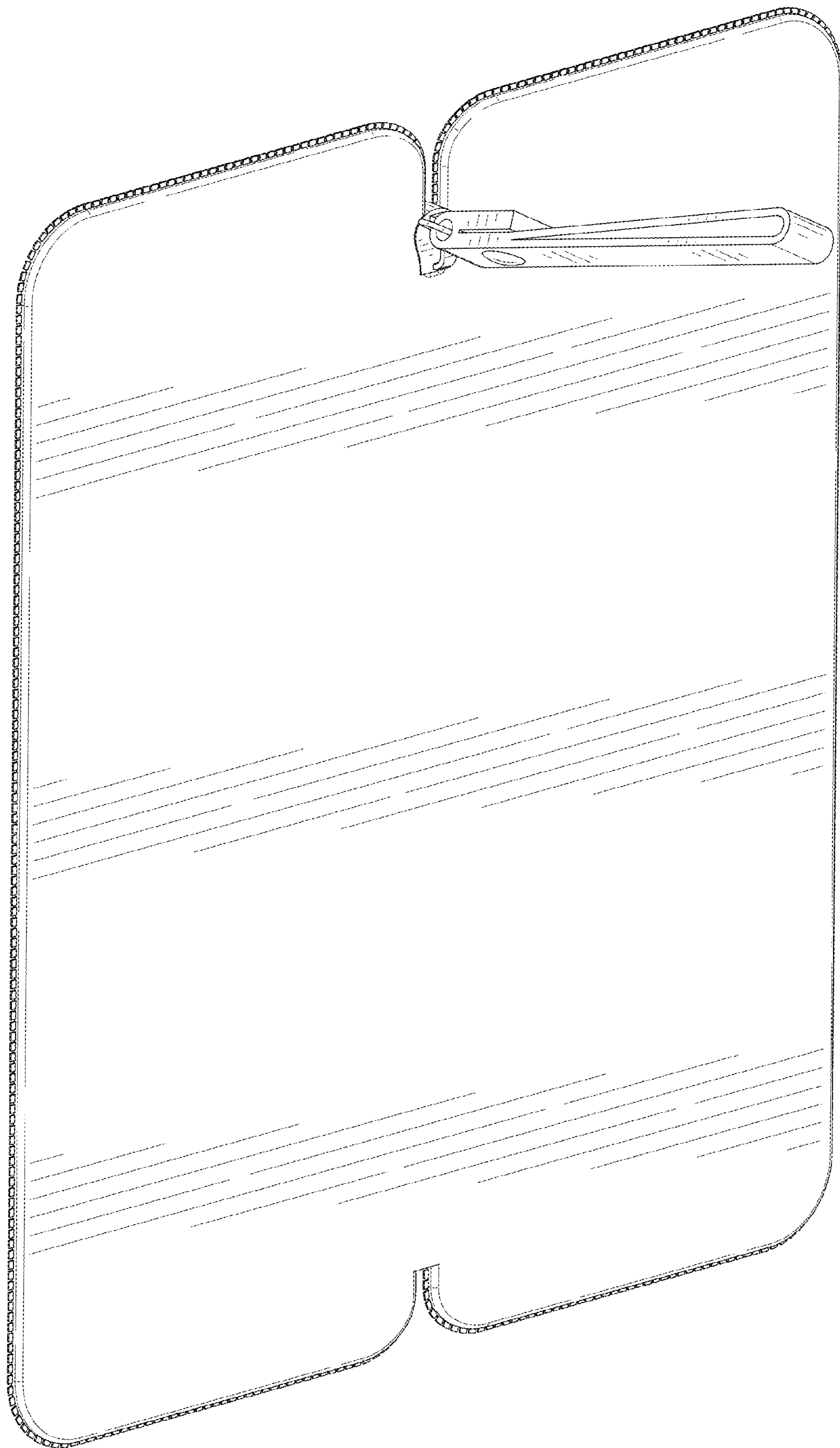


FIG. 2

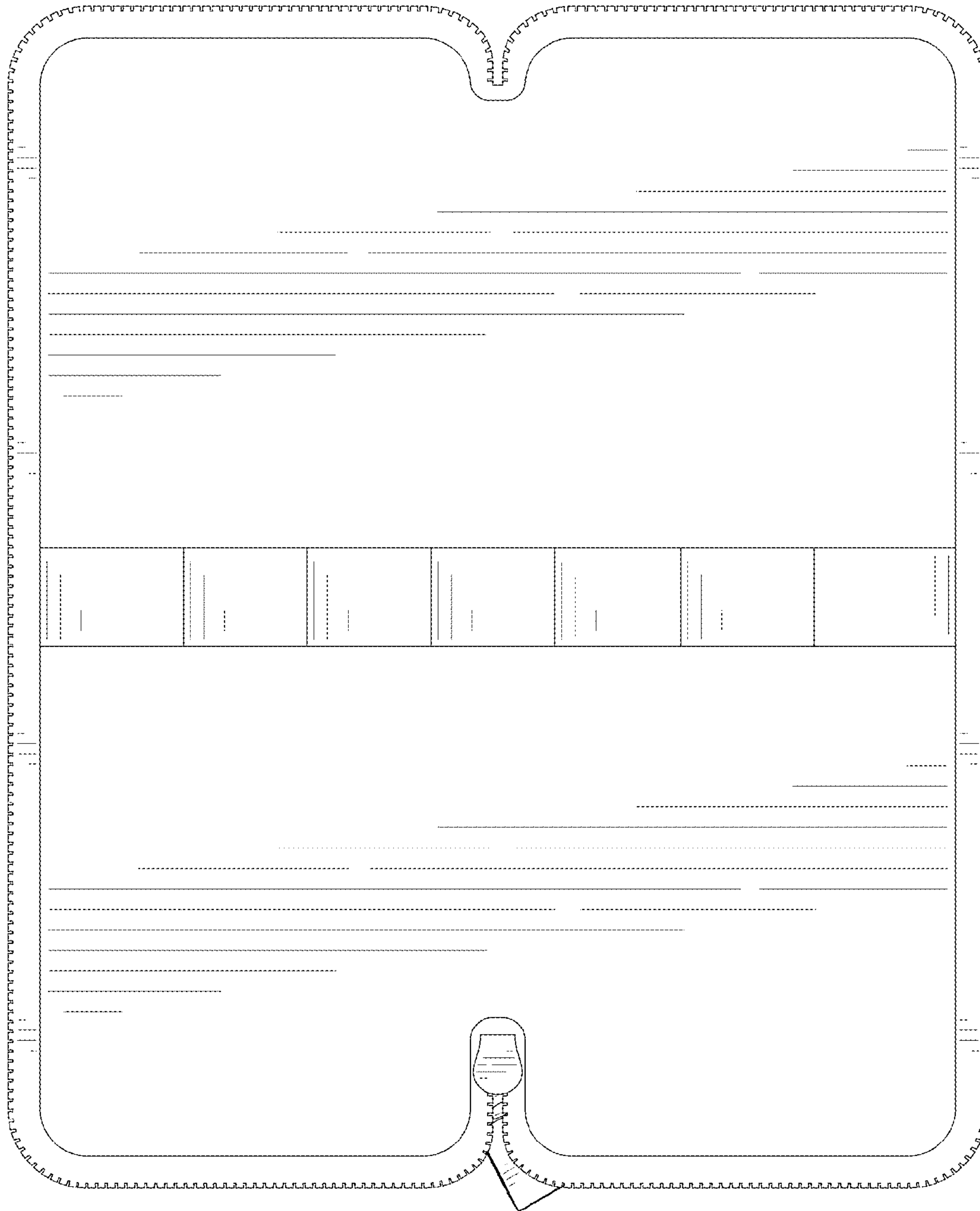


FIG. 3



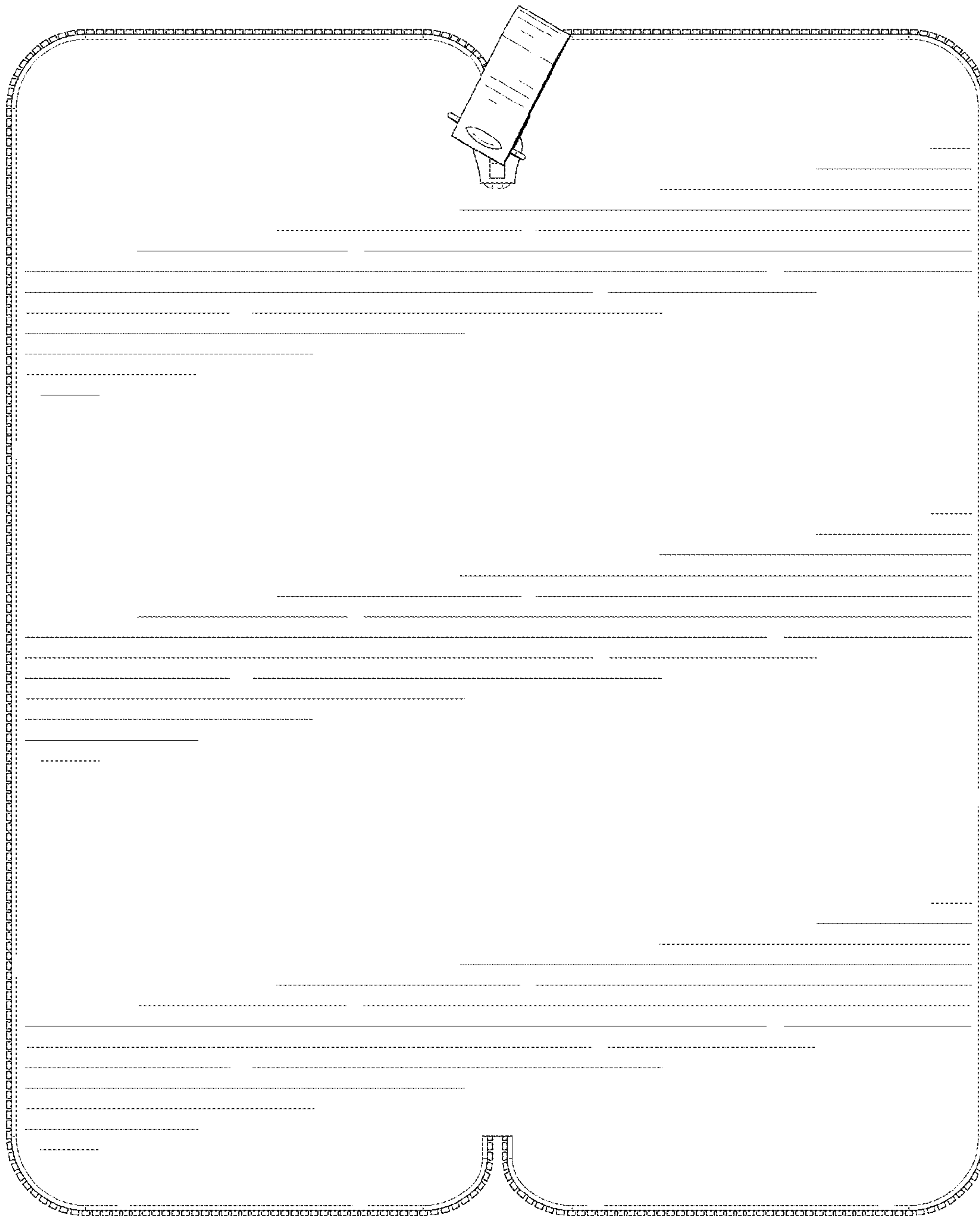


FIG. 4

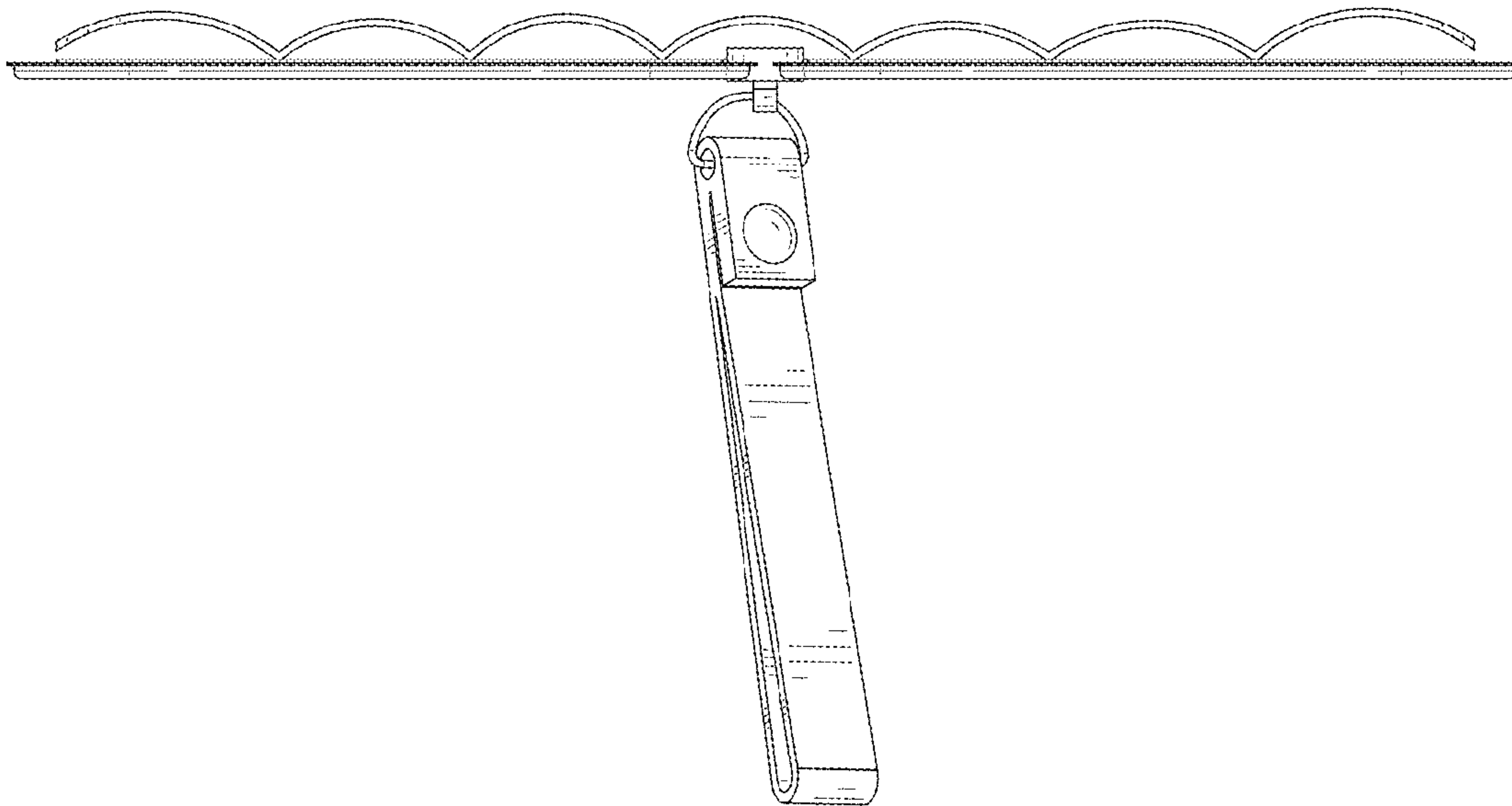


FIG. 5

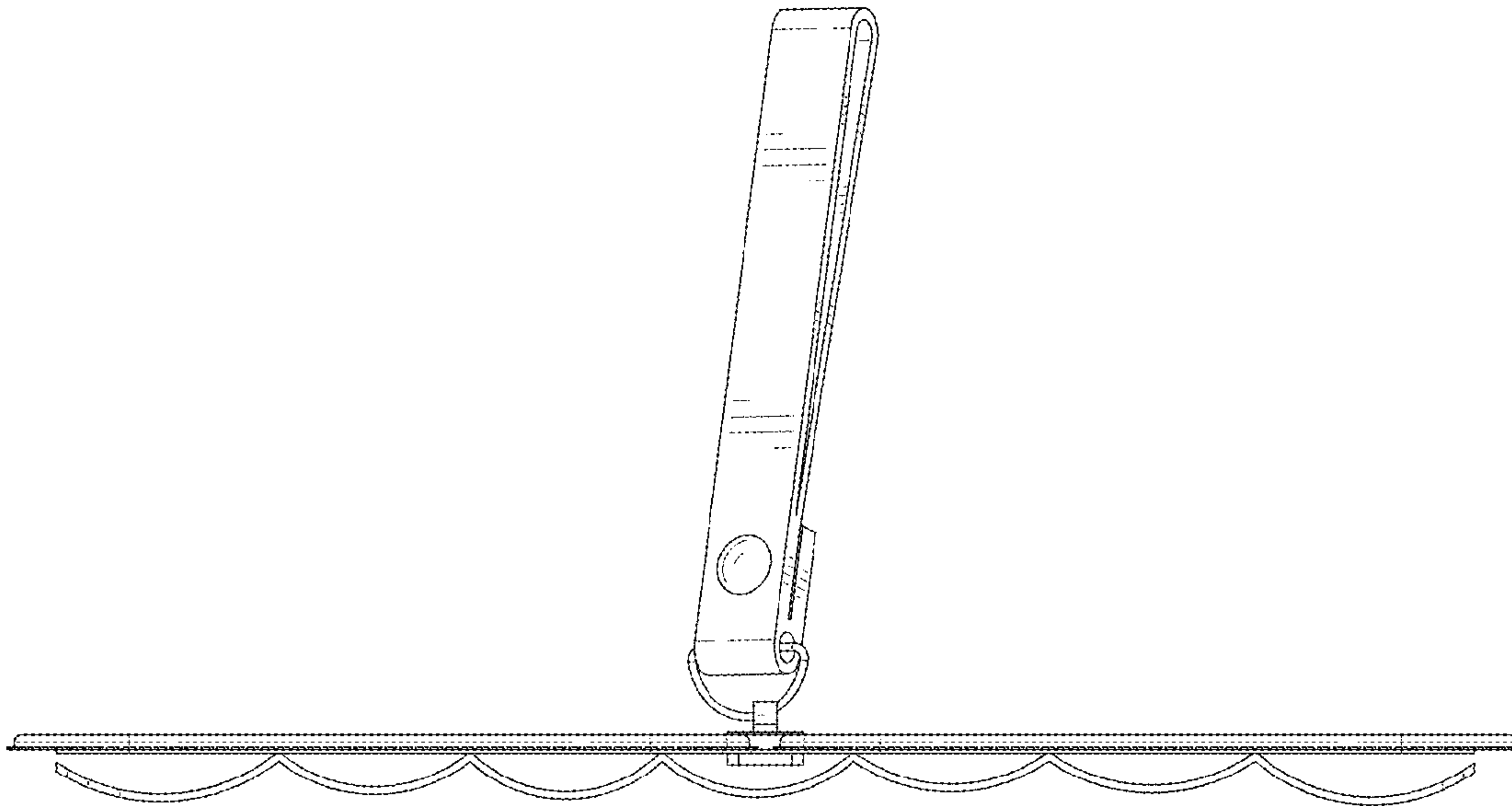


FIG. 6

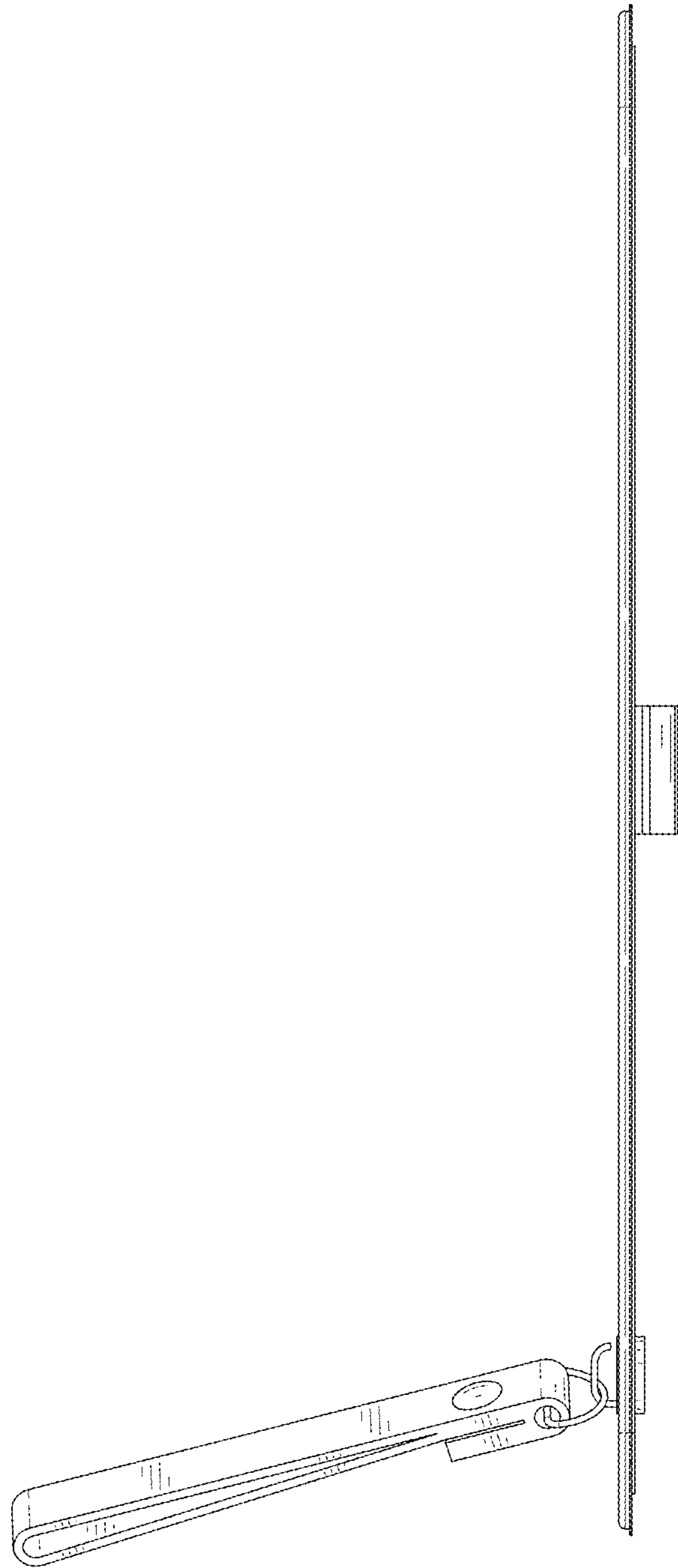


FIG. 7



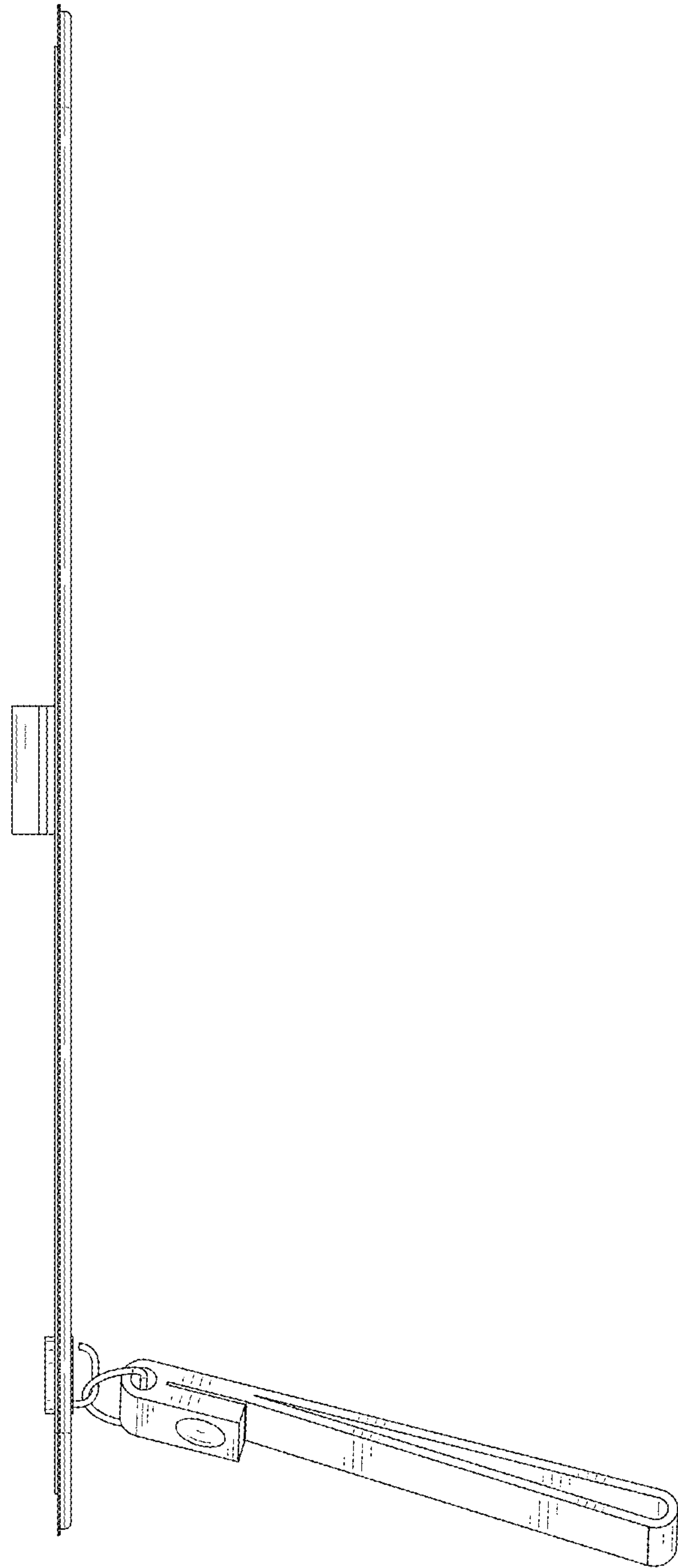


FIG. 8

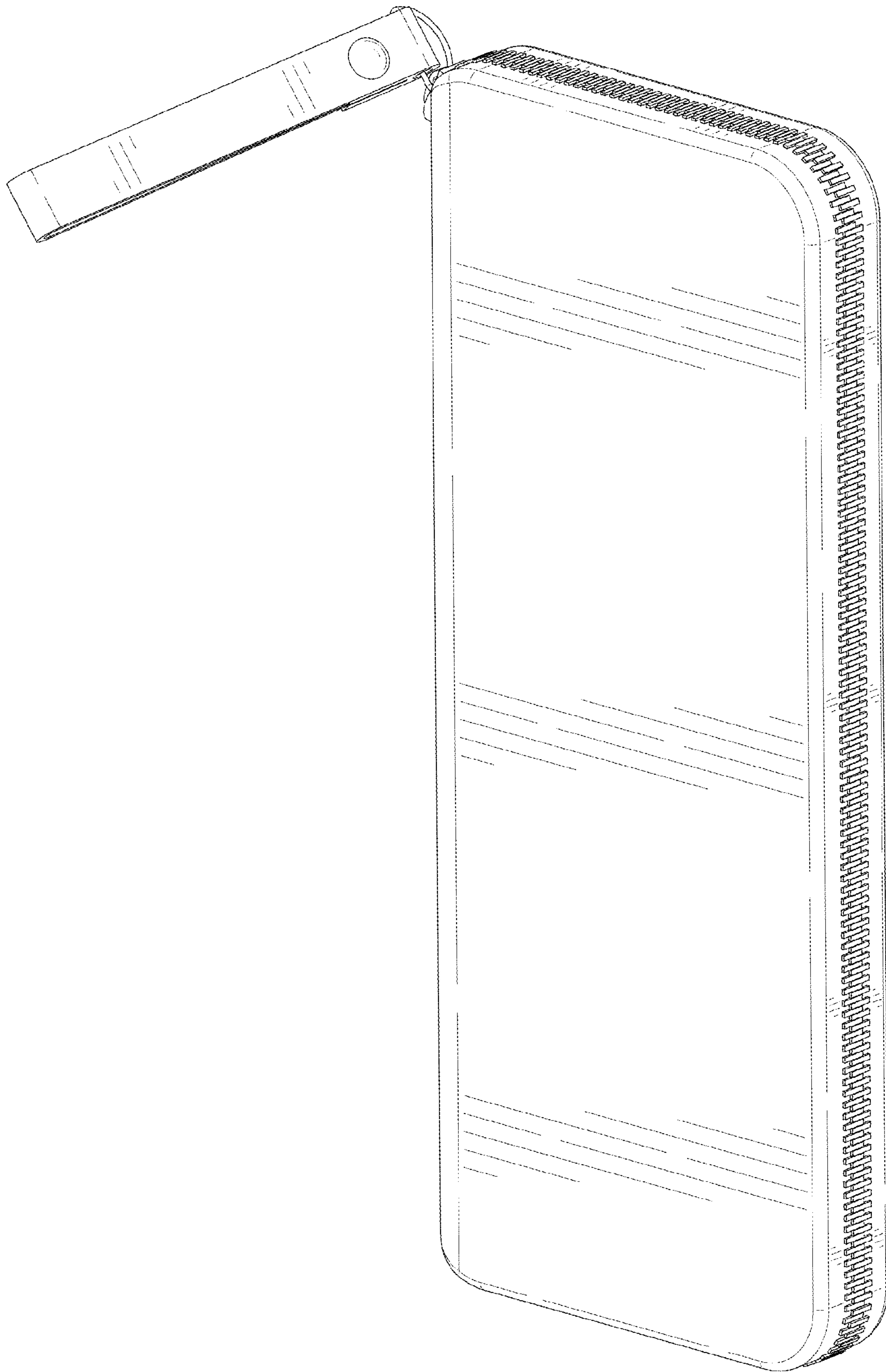


FIG. 9