

US00D964035S

(12) **United States Design Patent** (10) **Patent No.:** **US D964,035 S**
Jensen (45) **Date of Patent:** **** Sep. 20, 2022**

(54) **SHOWER ACCESSORY CONTAINER**

(71) Applicant: **Lifestyle Products, LLC**, Logan, UT (US)

(72) Inventor: **Robyn Jensen**, Hyde Park, UT (US)

(73) Assignee: **Lifestyle Products LLC**, Logan, UT (US)

(**) Term: **15 Years**

(21) Appl. No.: **29/728,319**

(22) Filed: **Mar. 17, 2020**

(51) **LOC (13) Cl.** **03-01**

(52) **U.S. Cl.**
USPC **D3/294**

(58) **Field of Classification Search**
USPC D3/205, 201, 212, 273, 274, 294
CPC A47K 3/281; A47K 7/024; A47K 5/02
See application file for complete search history.

(56) **References Cited**

U.S. PATENT DOCUMENTS

D121,632 S *	7/1940	Forrestal	D10/128
D336,049 S *	6/1993	Patridge, Jr.	D3/273
D339,061 S *	9/1993	Kilmartin, III	D9/425
D355,598 S *	2/1995	Aronhalt	D9/415
D357,581 S *	4/1995	Rogers	D3/276
D438,463 S *	3/2001	Schill	D9/416
D540,667 S *	4/2007	Duranthon	D9/430
D564,794 S *	3/2008	Ehresman	D22/119
D845,664 S *	4/2019	Jensen	D6/545
D845,665 S *	4/2019	Jensen	D6/545
D848,278 S *	5/2019	Duck	D9/721
D861,693 S *	10/2019	Ranade	D14/432

* cited by examiner

Primary Examiner — Kevin K Rudzinski

Assistant Examiner — Amber J Rabie

(74) *Attorney, Agent, or Firm* — Preston P. Frischknecht; Project CIP

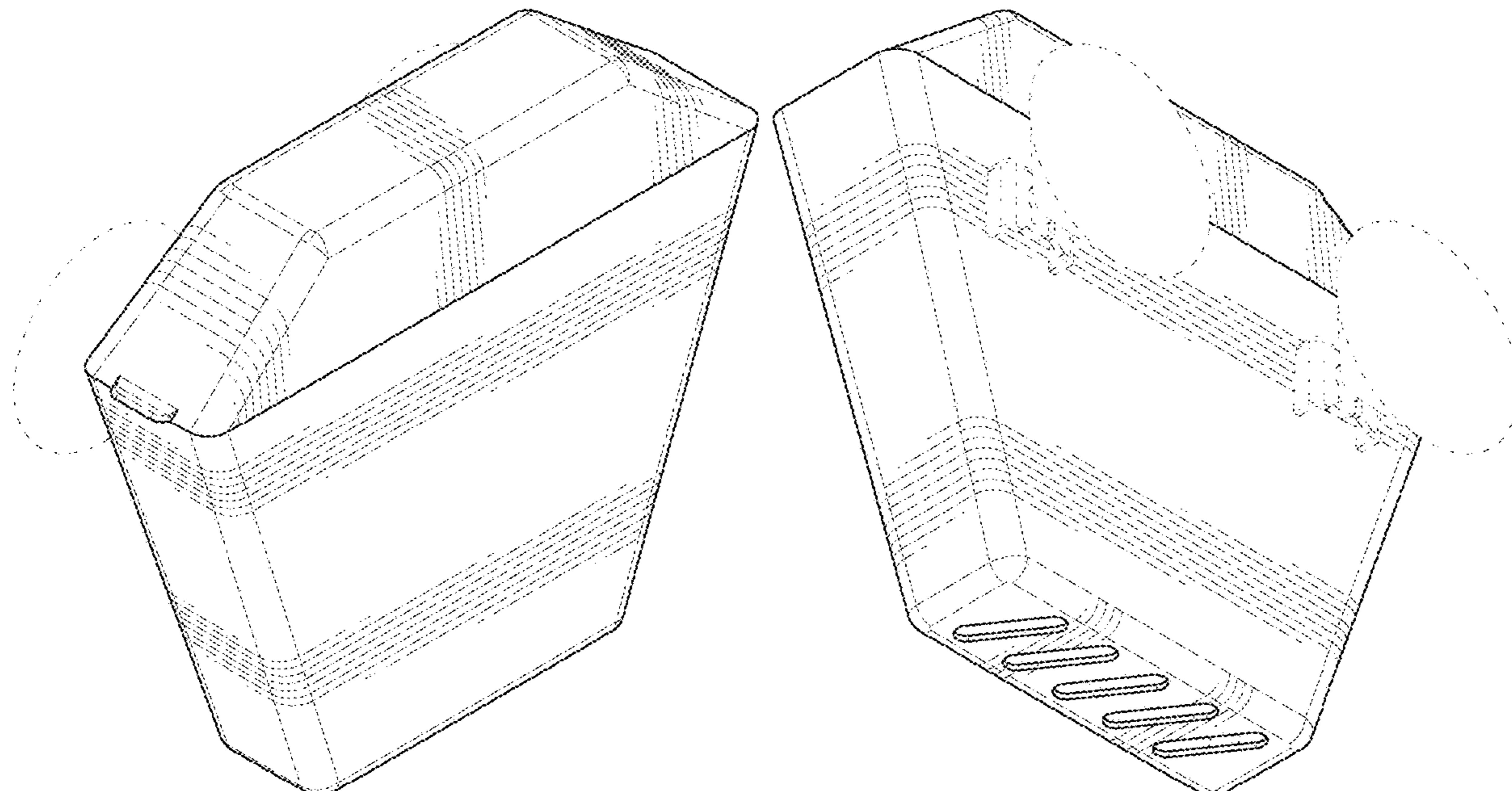
(57) **CLAIM**

The ornamental design for a shower accessory container, as shown and described.

DESCRIPTION

FIG. 1 is a front isometric view of a first embodiment;
 FIG. 2 is a rear isometric front view of a first embodiment;
 FIG. 3 is a front view of a first embodiment;
 FIG. 4 is a back view of a first embodiment;
 FIG. 5 is a left side view of a first embodiment;
 FIG. 6 is a right side view of a first embodiment;
 FIG. 7 is a top view of a first embodiment;
 FIG. 8 is a bottom view of a first embodiment;
 FIG. 9 is an alternate view of a first embodiment with open lid;
 FIG. 10 is a front isometric view of a second embodiment;
 FIG. 11 is a rear isometric front view of a second embodiment;
 FIG. 12 is a front view of a second embodiment;
 FIG. 13 is a back view of a second embodiment;
 FIG. 14 is a left side view of a second embodiment;
 FIG. 15 is a right side view of a second embodiment;
 FIG. 16 is a top view of a second embodiment;
 FIG. 17 is a bottom view of a second embodiment; and,
 FIG. 18 is an alternate view of a second embodiment with open lid.
 The broken lines show portions of the shower accessory container that form no part of the claimed design.

1 Claim, 16 Drawing Sheets



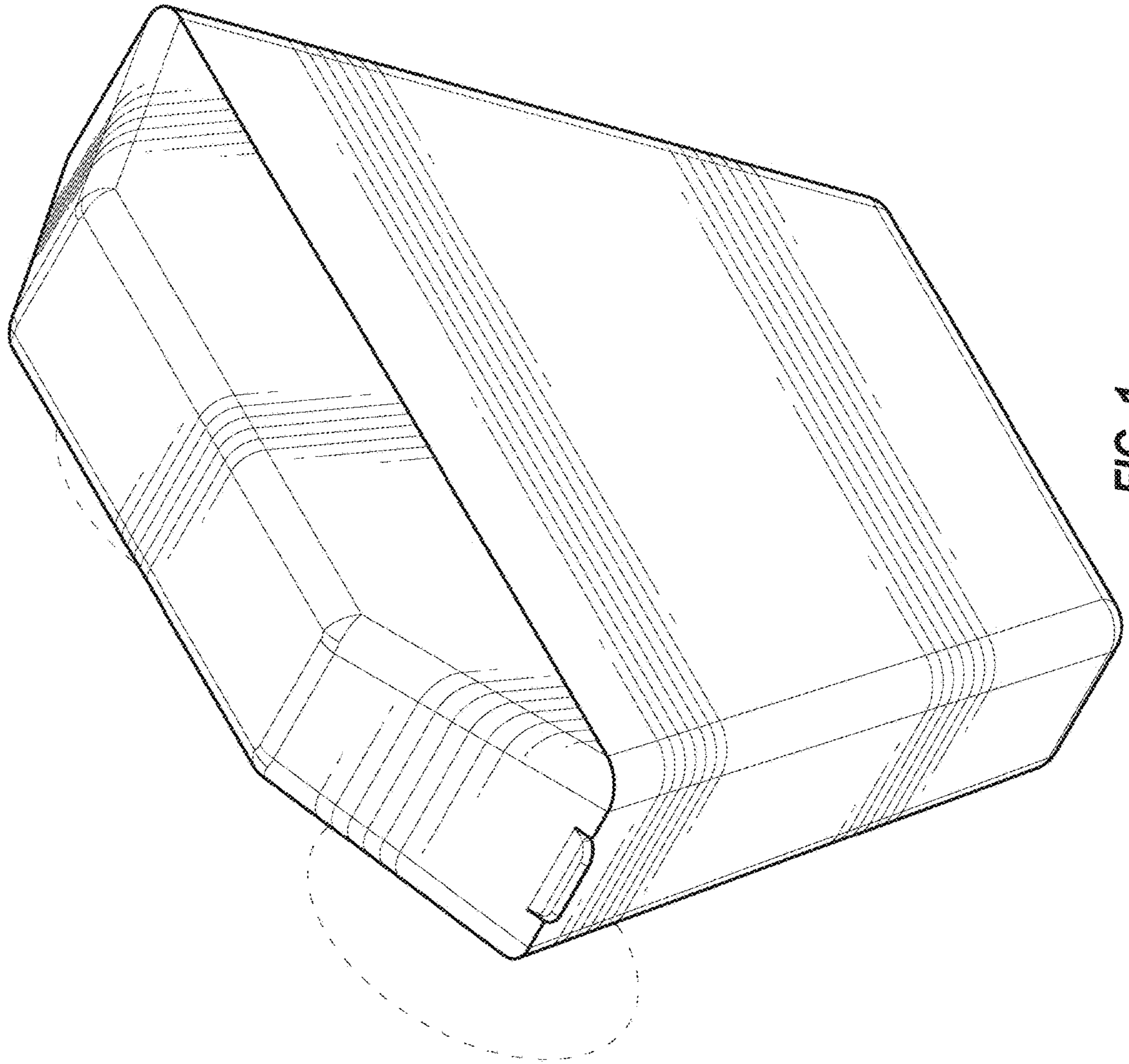


FIG. 1

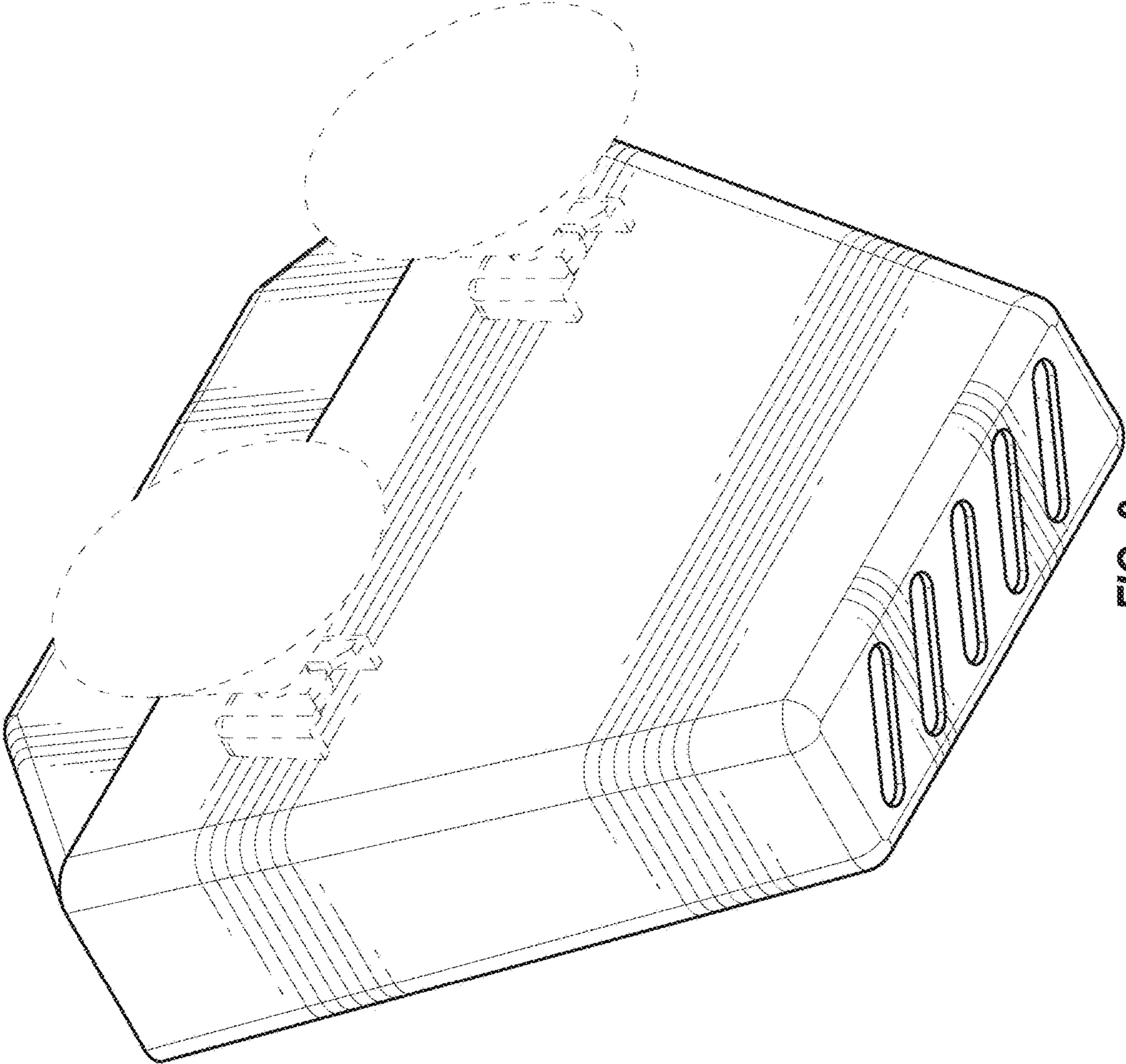


FIG. 2

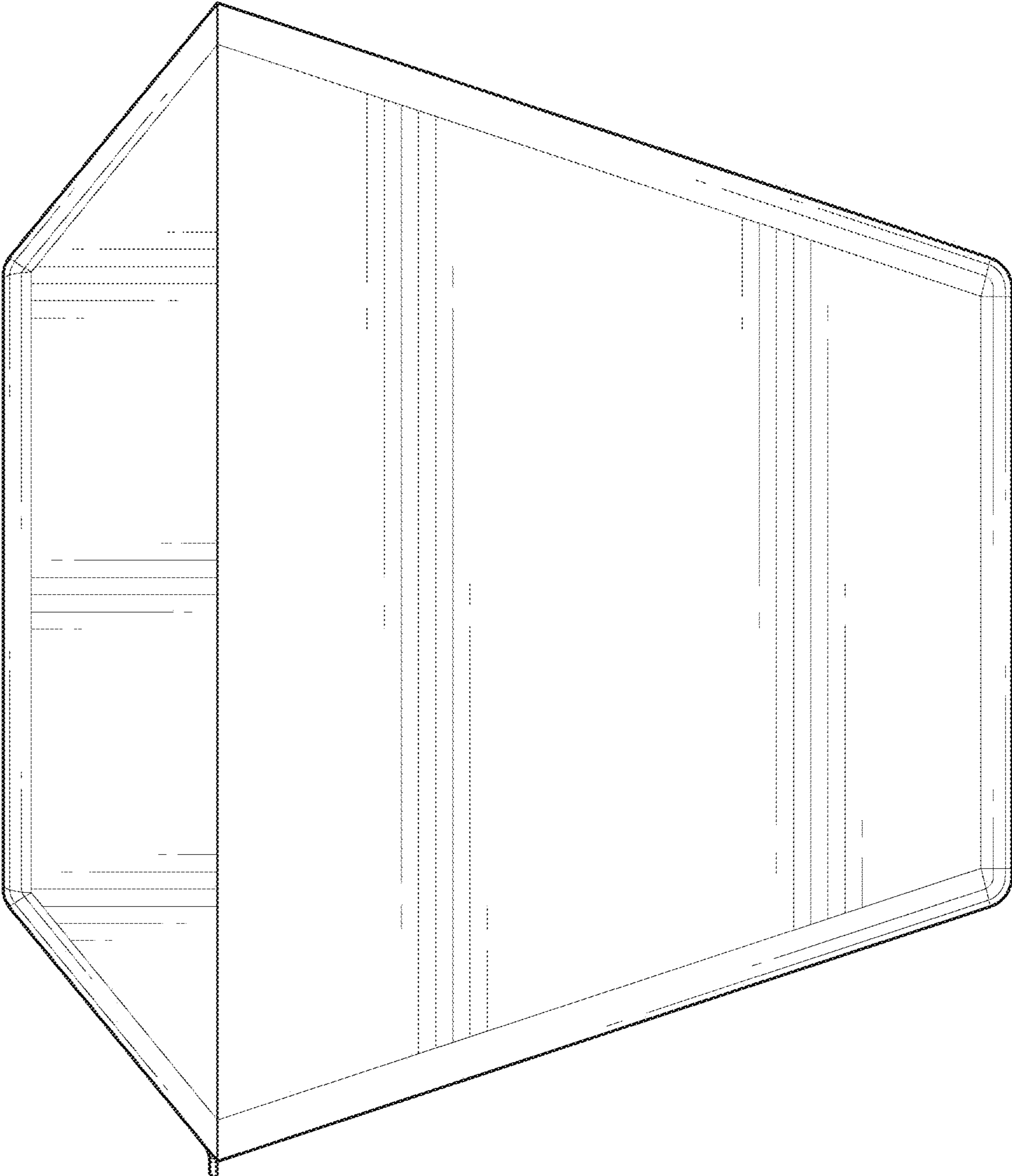


FIG. 3

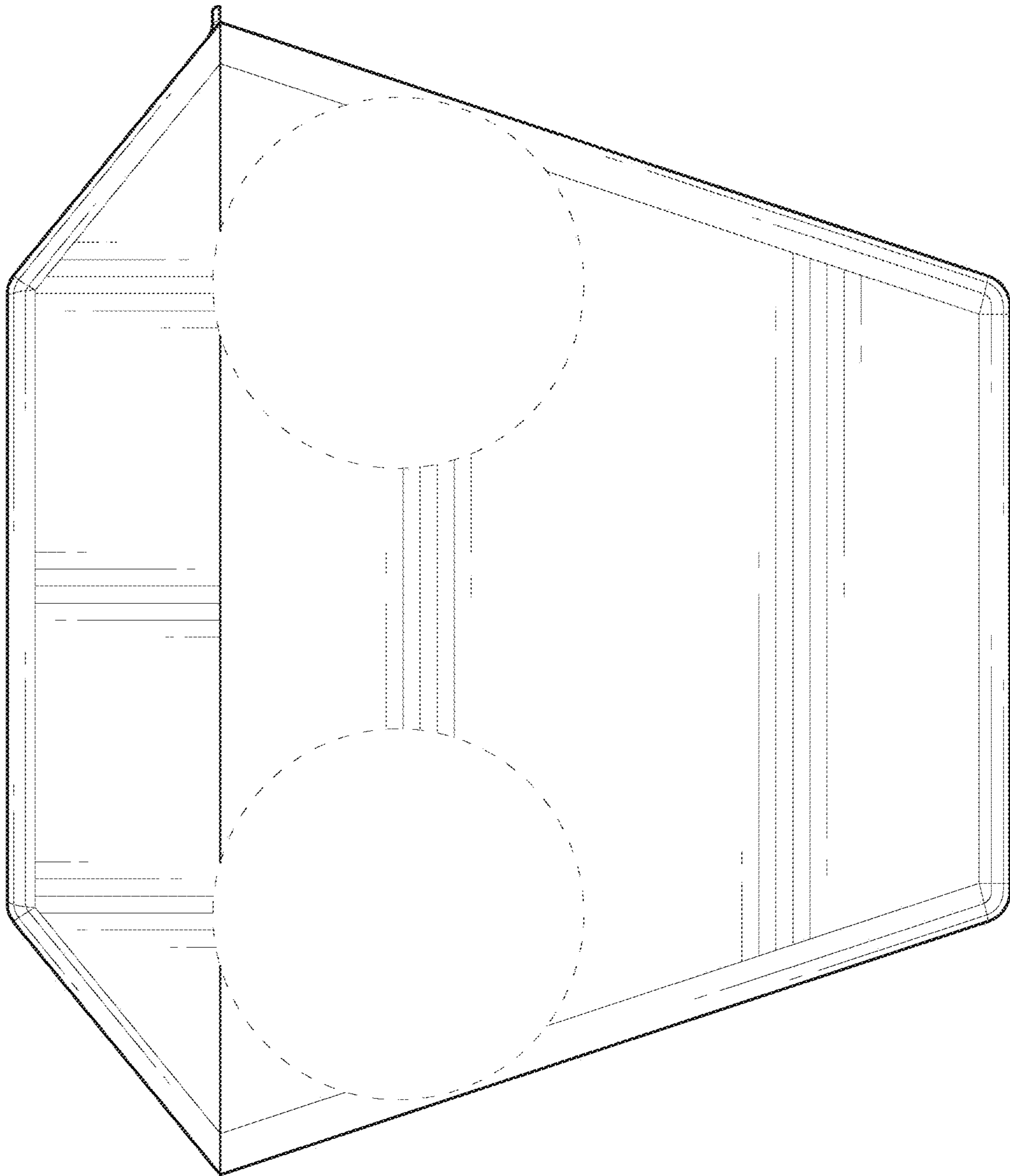


FIG. 4

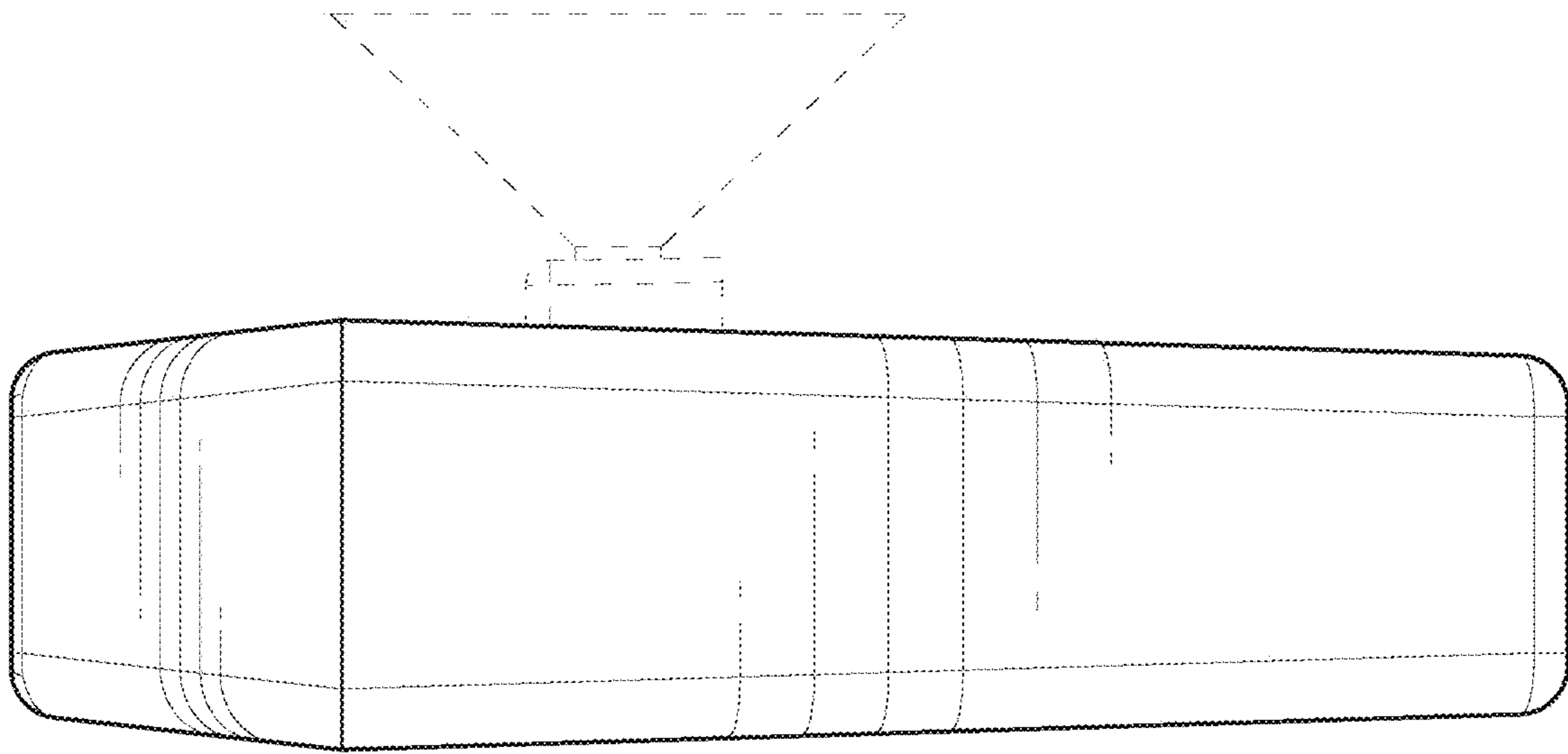


FIG. 6

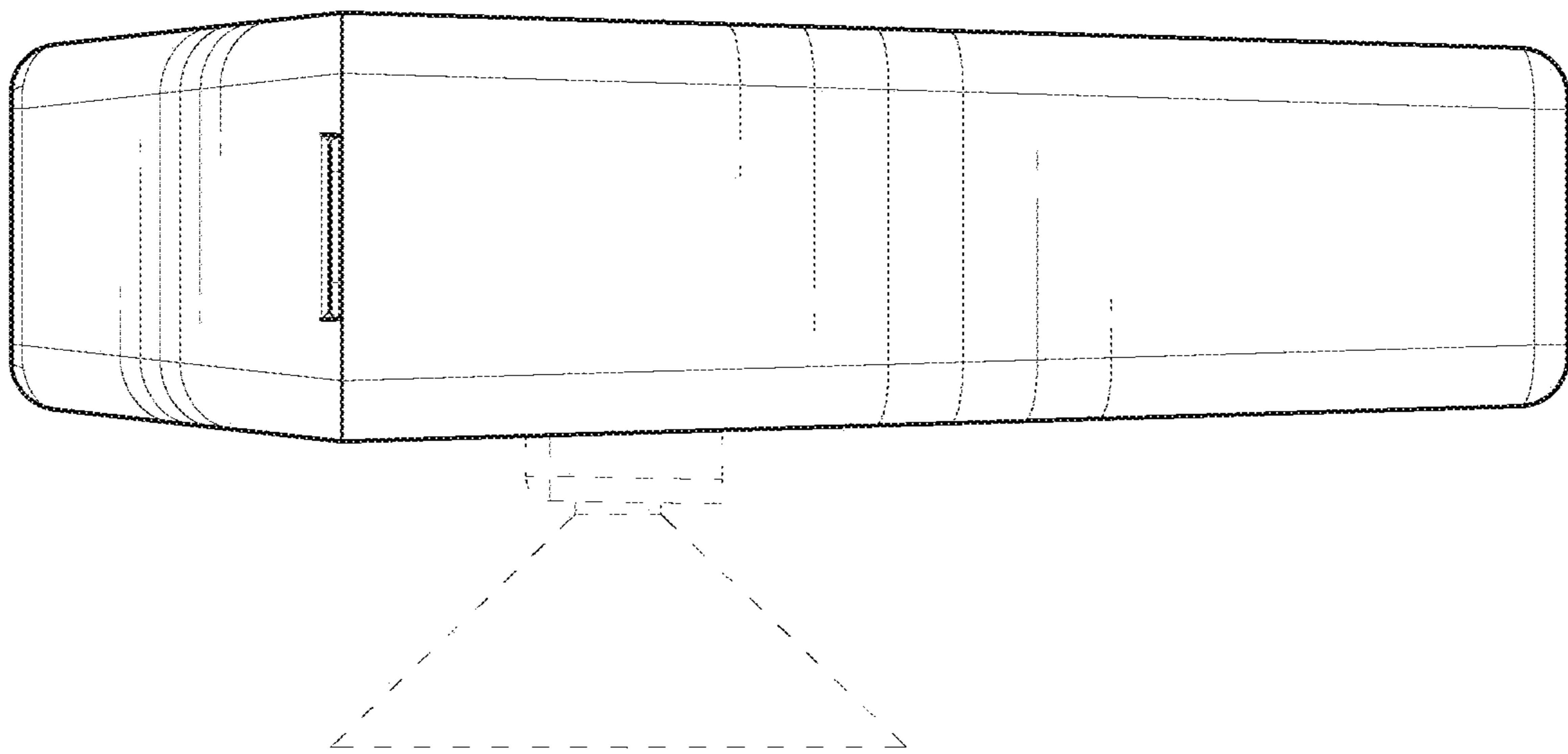


FIG. 5

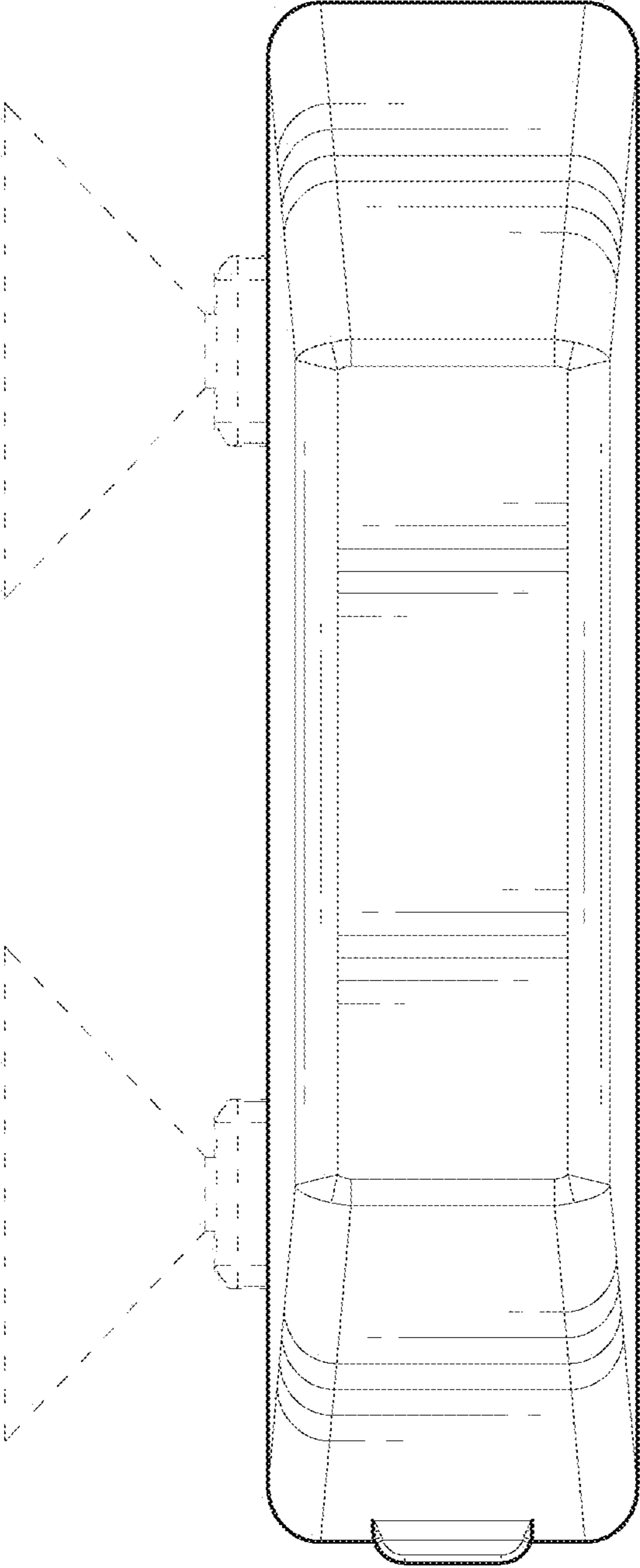


FIG. 7

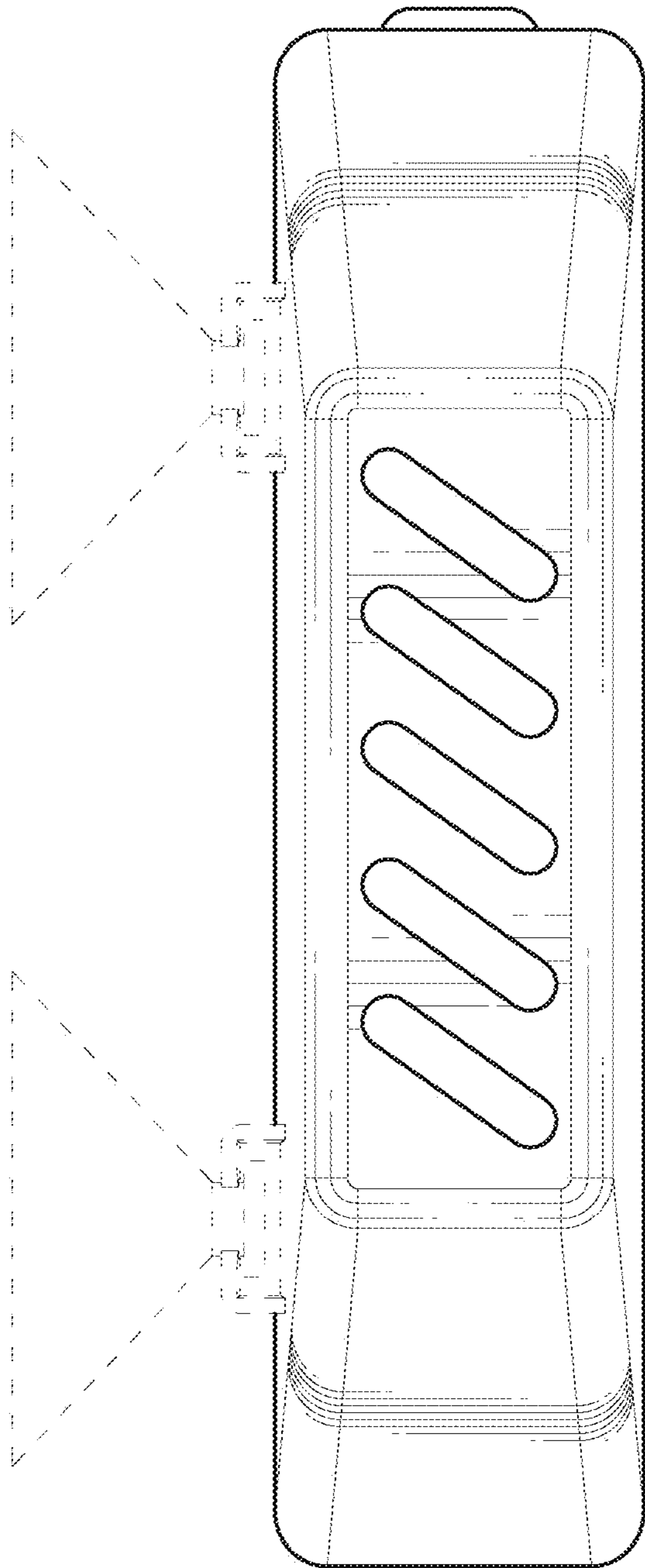


FIG. 8

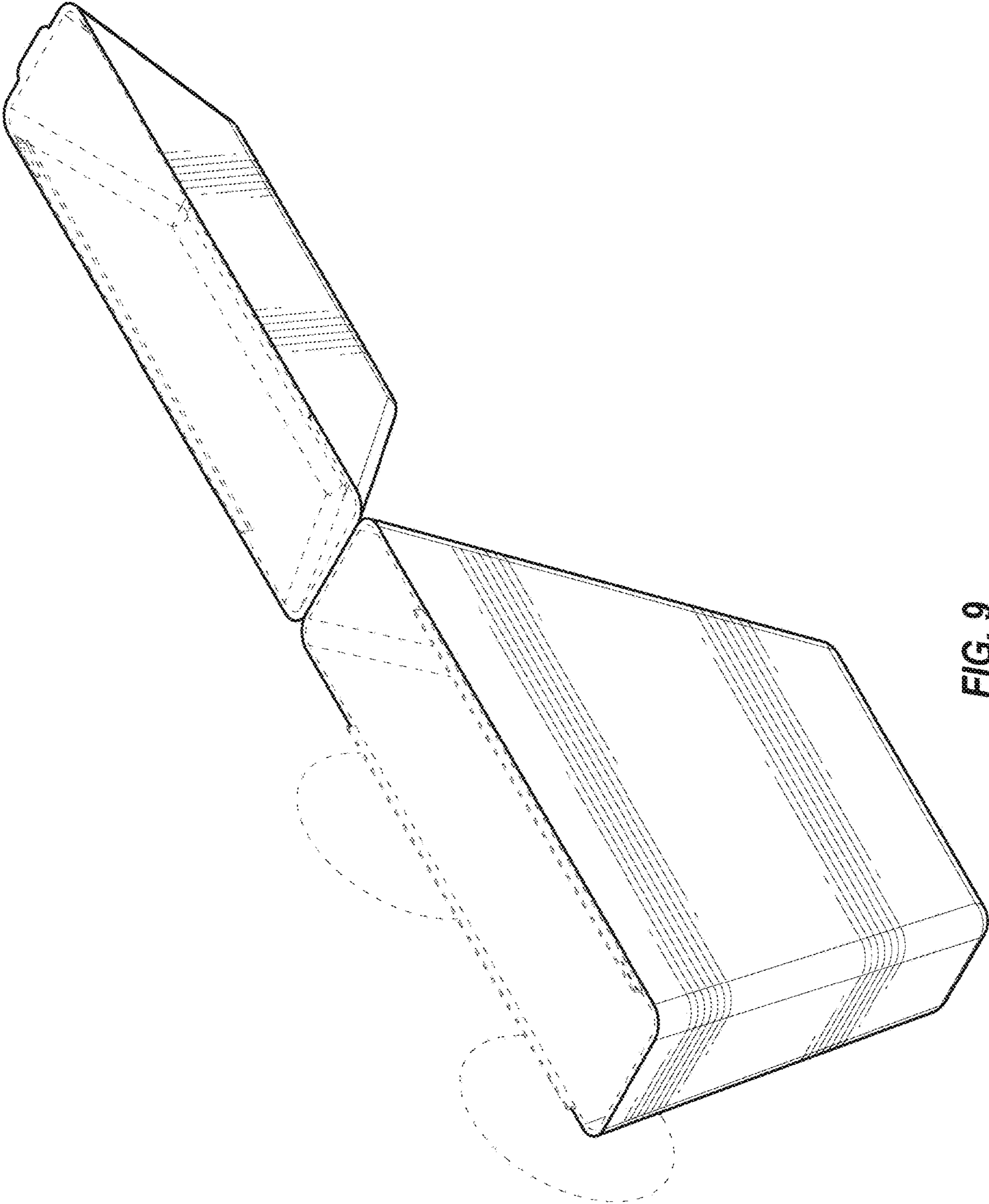


FIG. 9

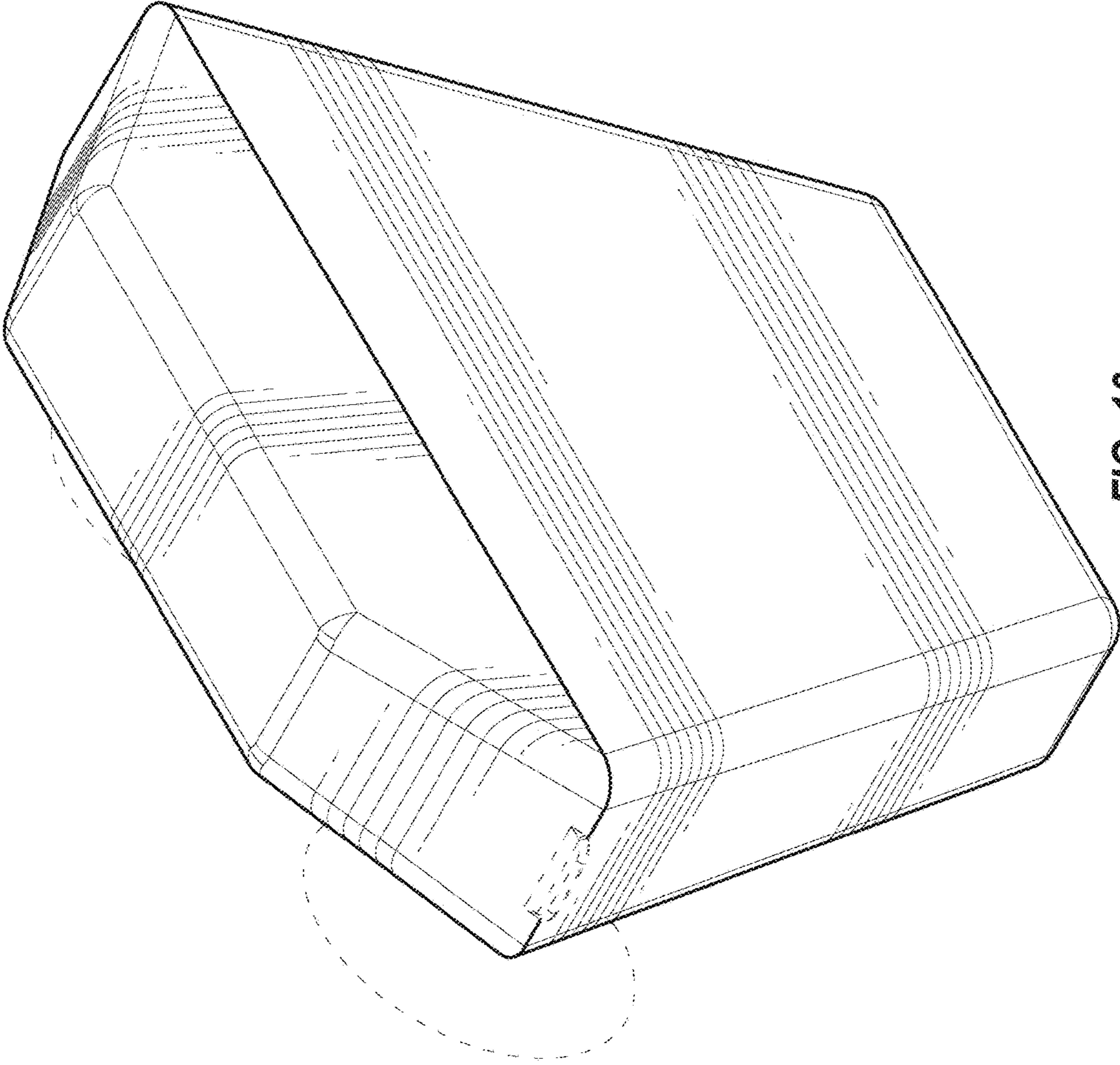


FIG. 10

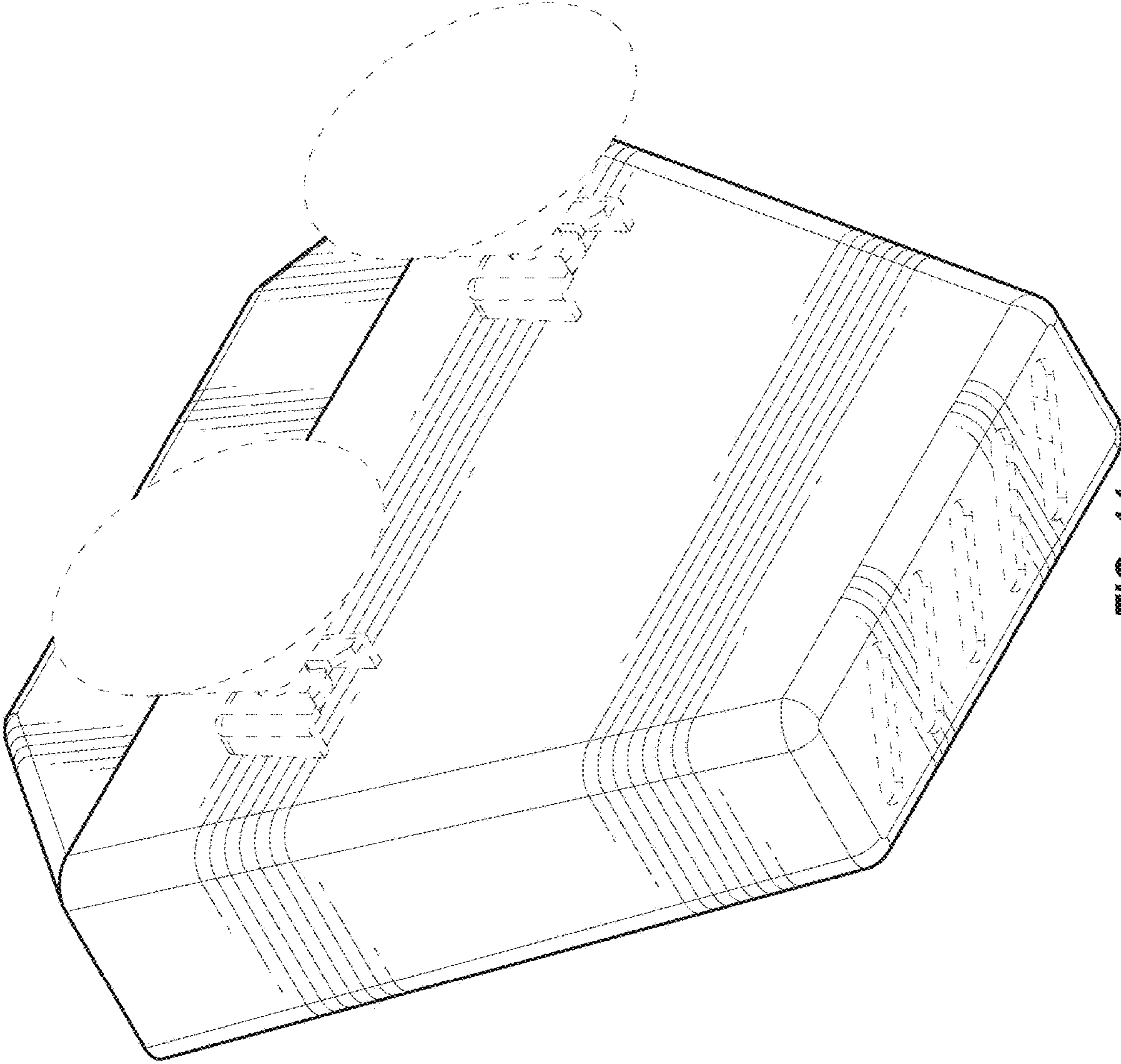


FIG. 11

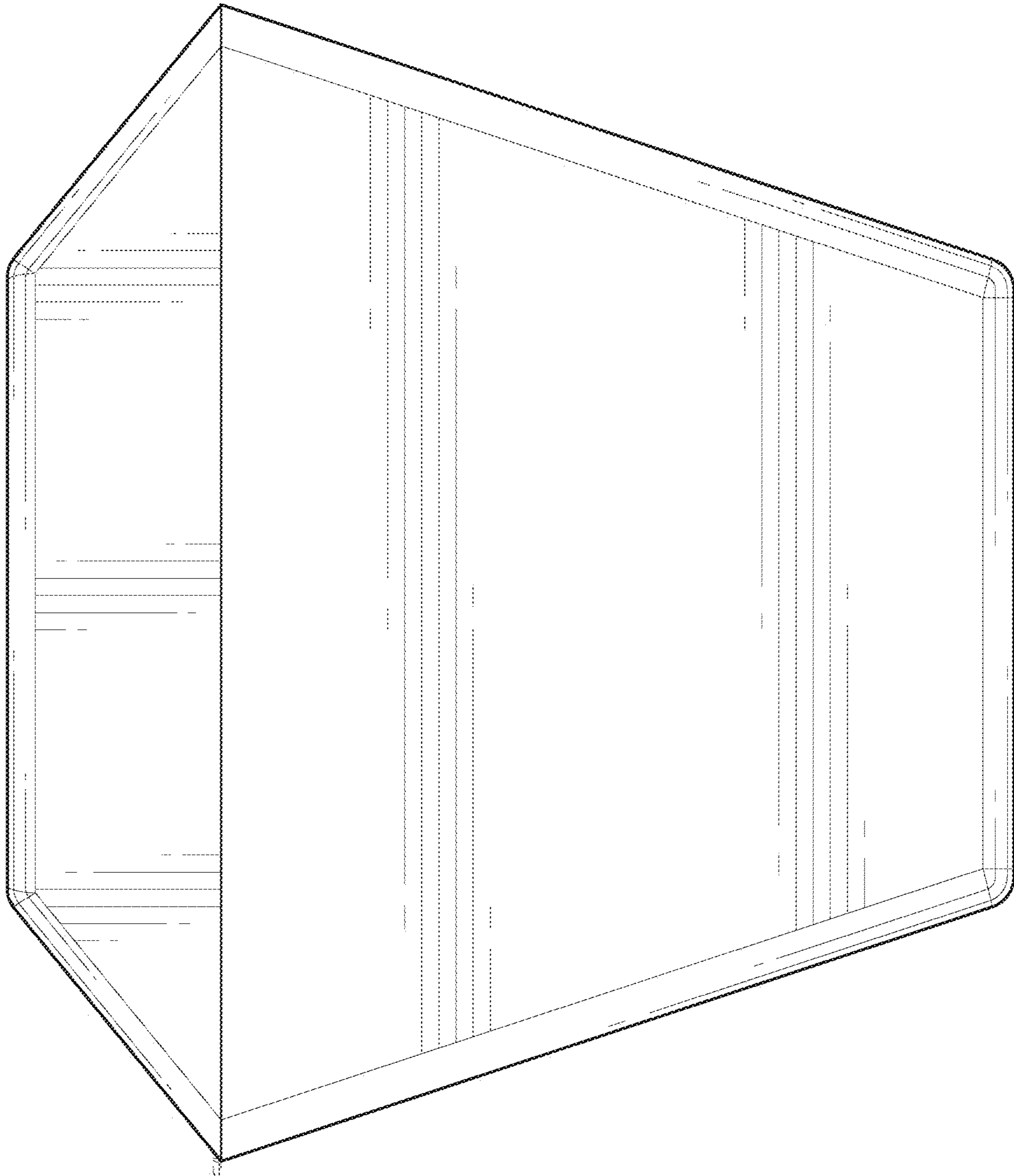


FIG. 12

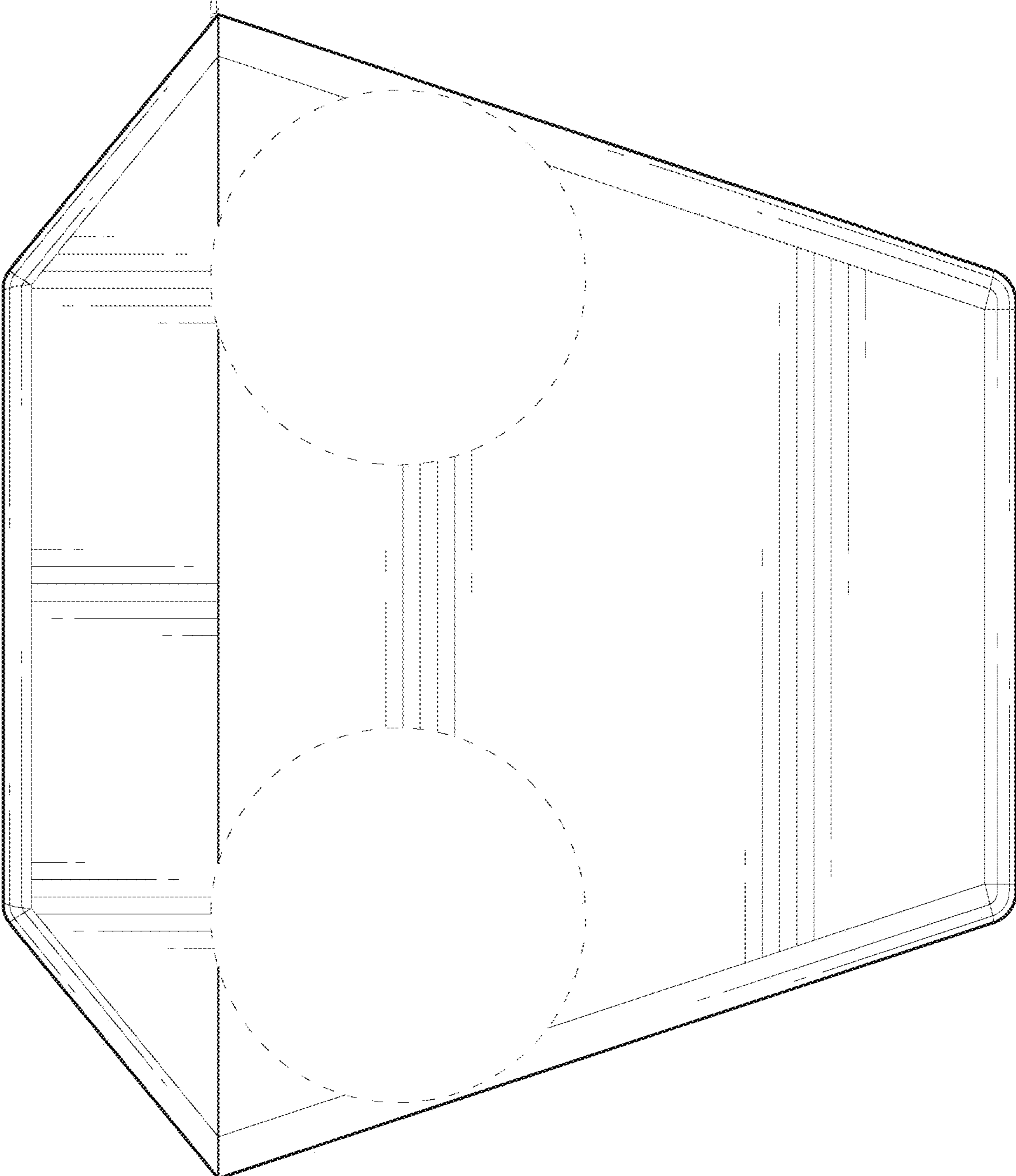


FIG. 13

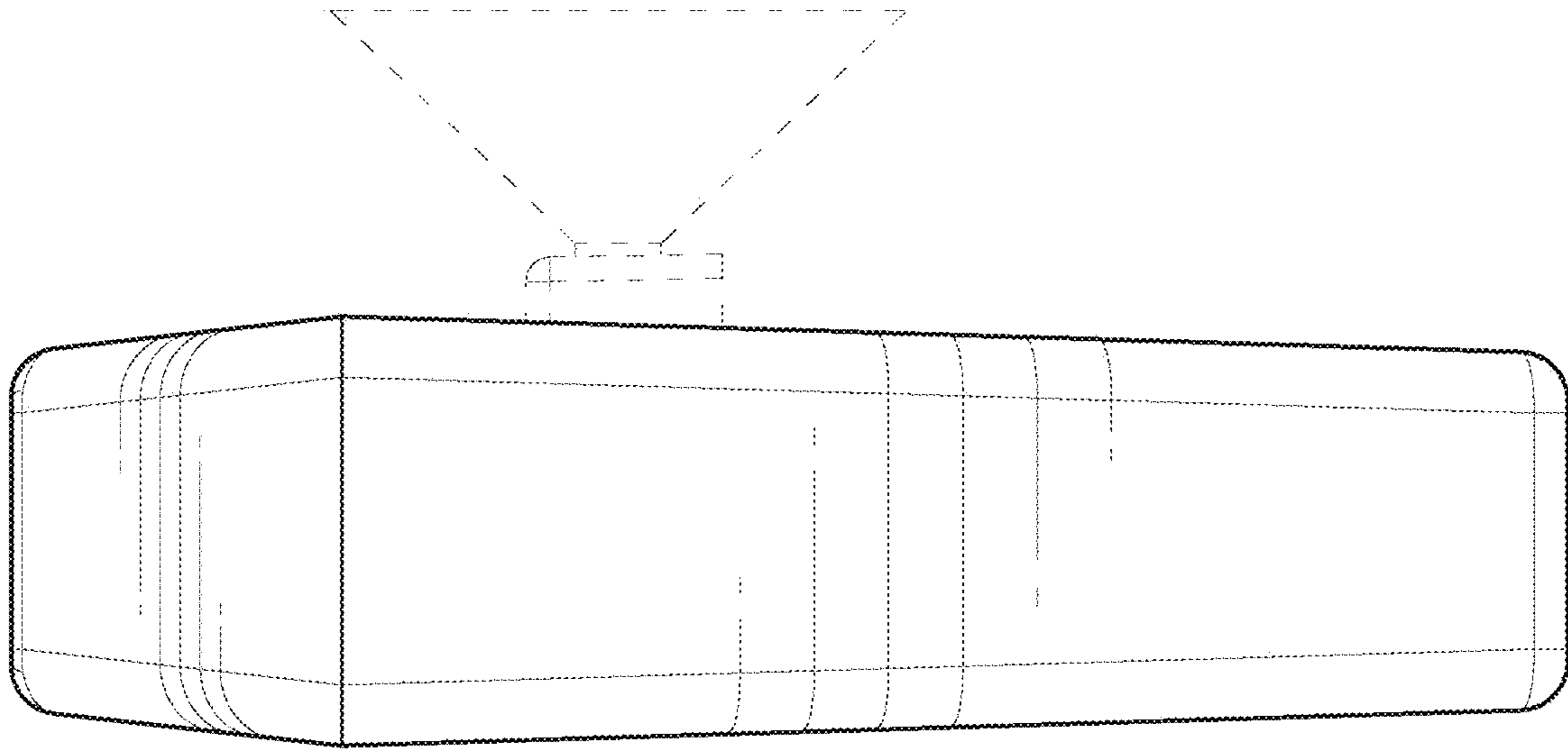


FIG. 15

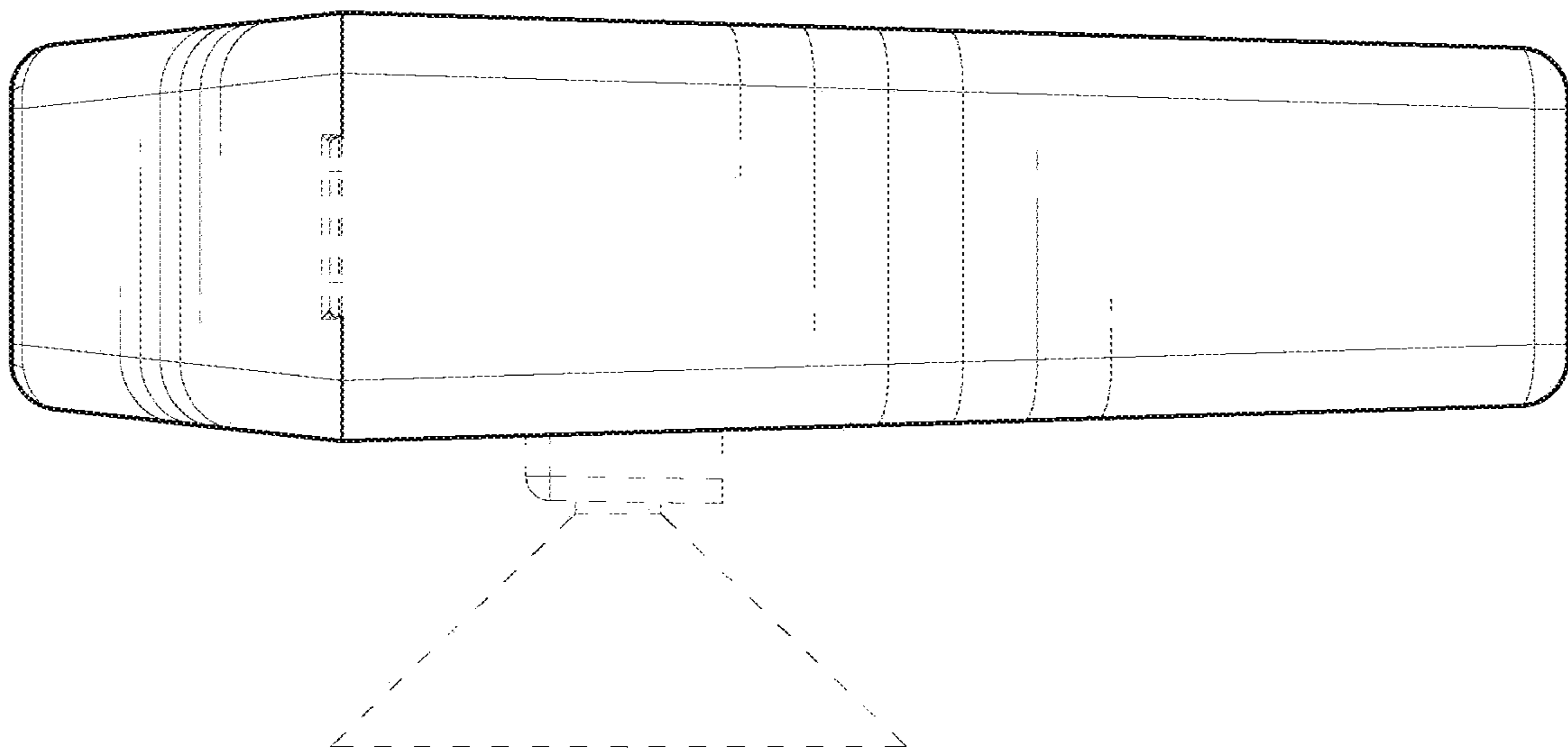


FIG. 14

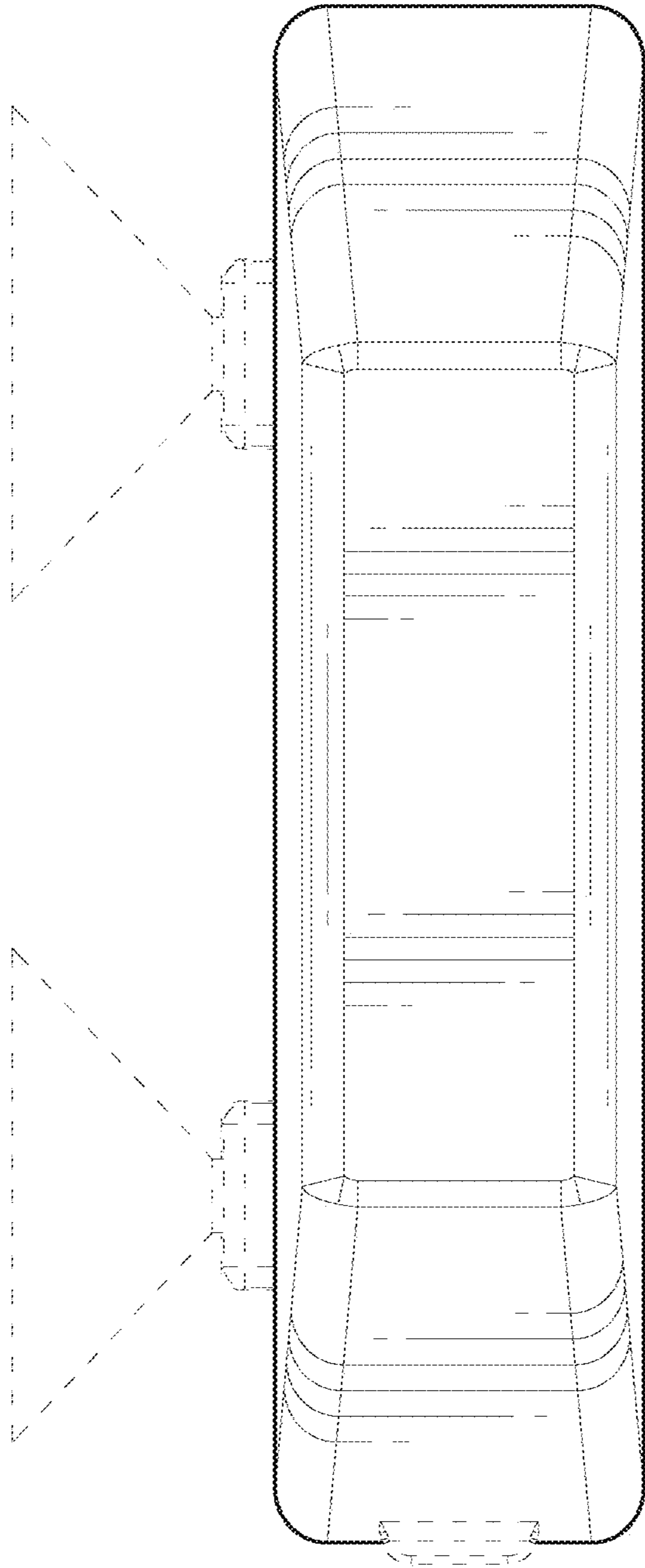


FIG. 16

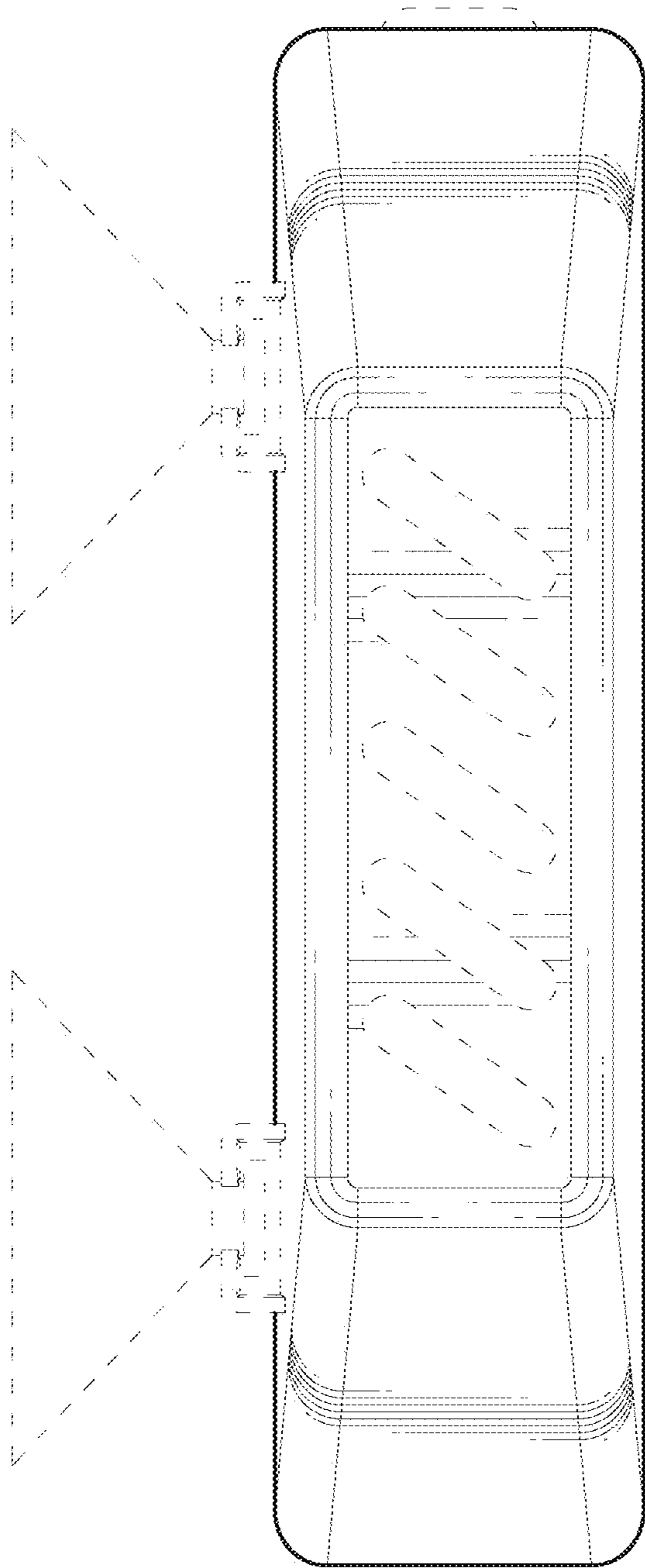


FIG. 17

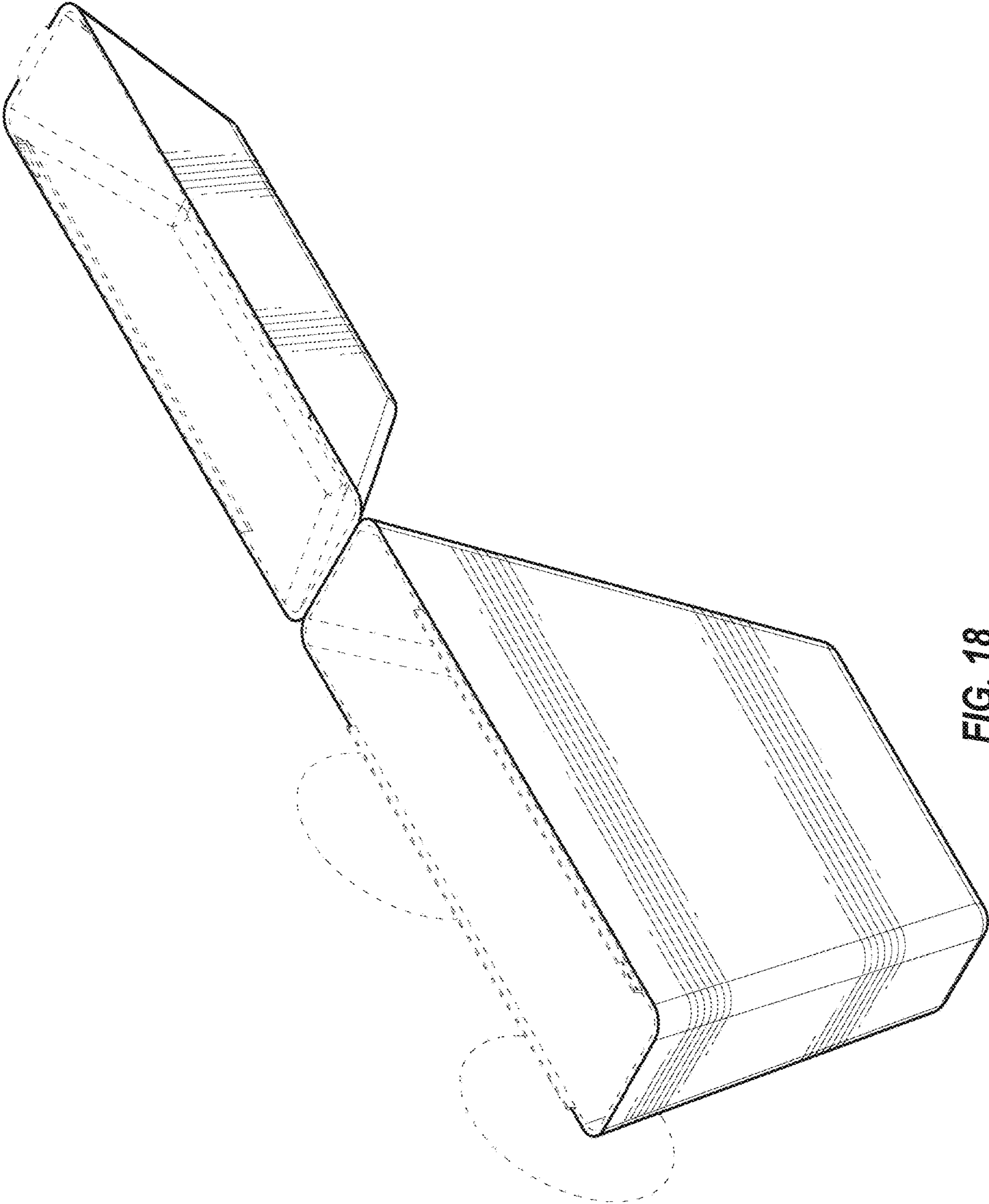


FIG. 18