

US00D964033S

(12) **United States Design Patent** (10) **Patent No.:** **US D964,033 S**
Li (45) **Date of Patent:** **** Sep. 20, 2022**

(54) **TOOLBOX**

(71) Applicant: **Lishun Li**, Zhejiang (CN)

(72) Inventor: **Lishun Li**, Zhejiang (CN)

(**) Term: **15 Years**

(21) Appl. No.: **29/805,645**

(22) Filed: **Aug. 27, 2021**

(51) **LOC (13) Cl.** **03-01**

(52) **U.S. Cl.**
USPC **D3/282**; D3/284; D3/905

(58) **Field of Classification Search**
USPC D3/905, 273, 276, 280, 282, 284, 294,
D3/298, 302, 304

CPC B25H 3/00; B25H 3/003; B25H 3/006;
B25H 3/02; B25H 3/06
See application file for complete search history.

(56) **References Cited**

U.S. PATENT DOCUMENTS

D600,015 S	*	9/2009	Wenchel	D3/294
D602,251 S	*	10/2009	Furrer	D3/276
D664,356 S	*	7/2012	Liao	D3/282
D719,352 S	*	12/2014	Shitrit	D3/282
D785,938 S	*	5/2017	Ou	D3/282
D808,653 S	*	1/2018	Rayeski	D3/273
D841,981 S	*	3/2019	Kogel	D3/282
D904,020 S	*	12/2020	Chen	D3/282
D911,709 S	*	3/2021	Niehaus	D3/281

OTHER PUBLICATIONS

Amazon, in, "Black+Decker HD555KMMPR-B1 . . . ", First on sale Jul. 20, 2020. (<https://www.amazon.in/dp/B08DBKBRK7/>) (Year: 2020).*

Amazon.in, "Bosch GSB Plastic 550W Corded Electric Mechanic Kit . . . ", First on sale Jan. 1, 2017. (<https://www.amazon.in/dp/B01NBZ7YXN/?th=1>) (Year: 2017).*

* cited by examiner

Primary Examiner — April Rivas

(57) **CLAIM**

The ornamental design for a toolbox, as shown and described.

DESCRIPTION

FIG. 1 is a perspective view of a toolbox design showing my new design.

FIG. 2 is a front view of a toolbox.

FIG. 3 is a rear view of a toolbox.

FIG. 4 is a left side view of a toolbox.

FIG. 5 is a right side view of a toolbox.

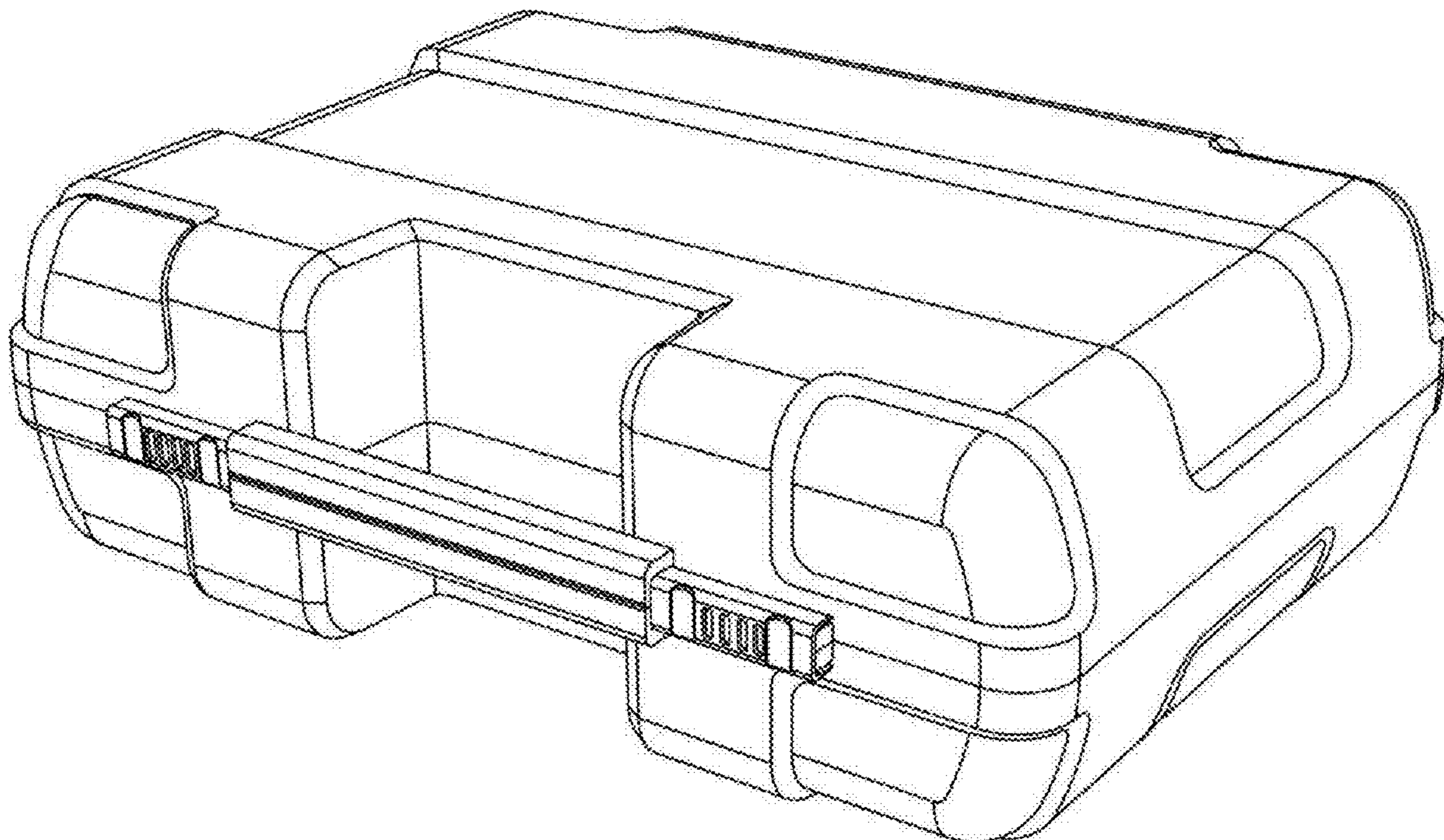
FIG. 6 is a top view of a toolbox.

FIG. 7 is a bottom view of a toolbox; and,

FIG. 8 is a perspective view of a toolbox shown in an open state.

The broken lines depict portions of the toolbox that form no part of the claimed design.

1 Claim, 8 Drawing Sheets



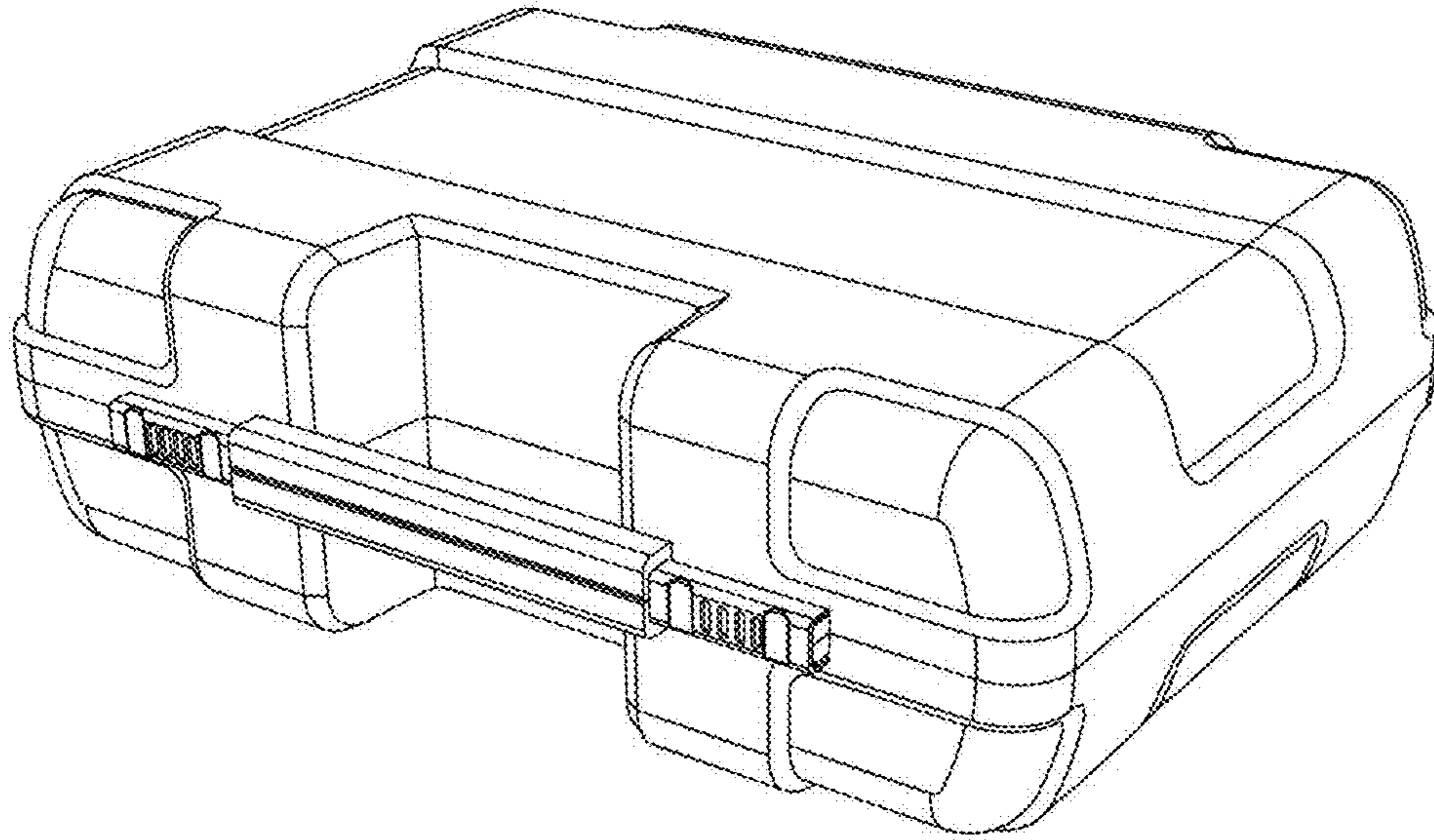


FIG. 1

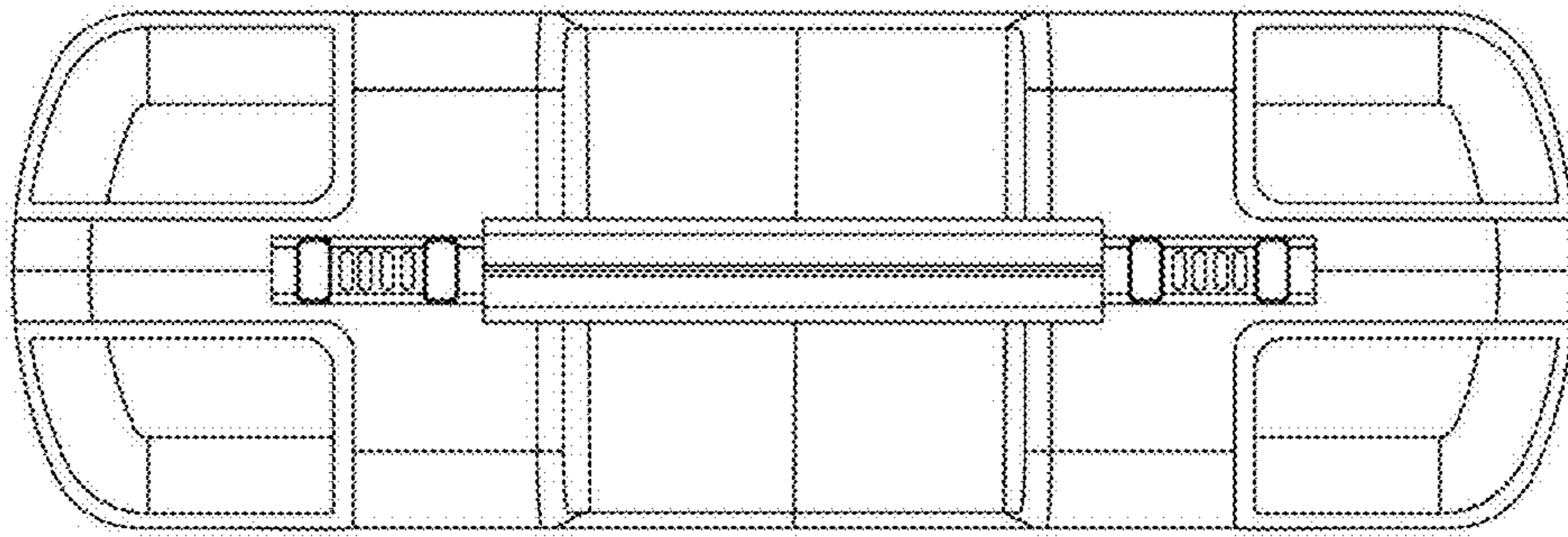


FIG. 2

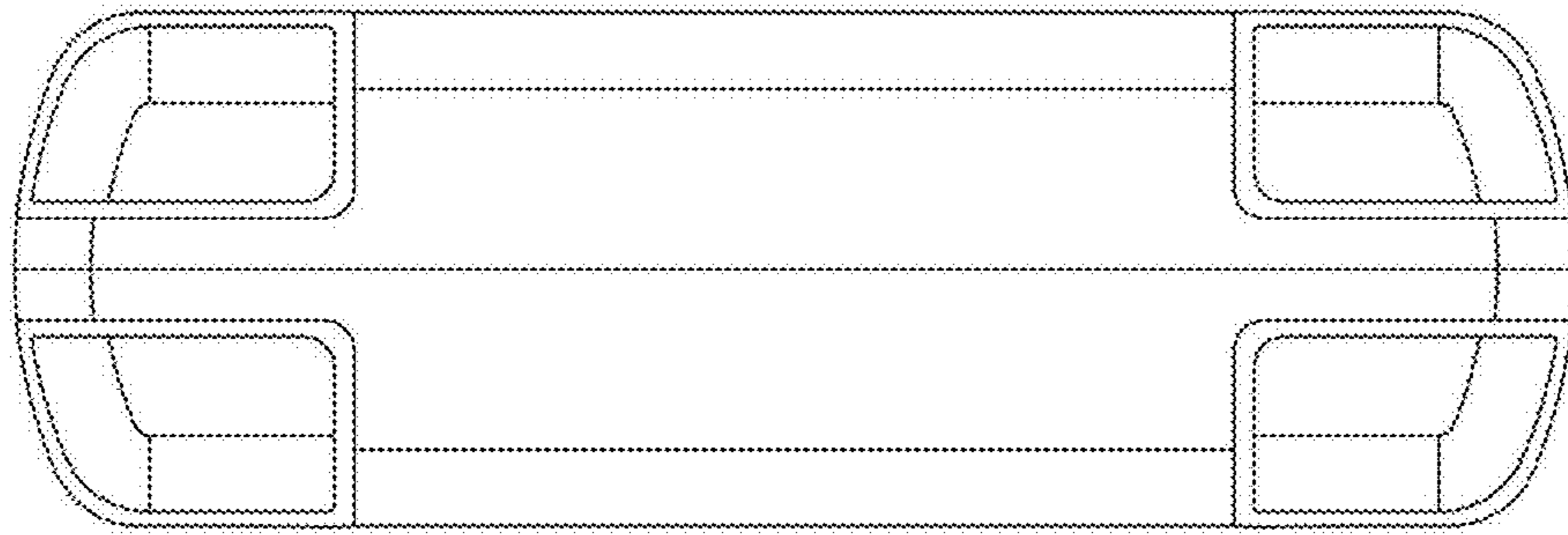


FIG. 3

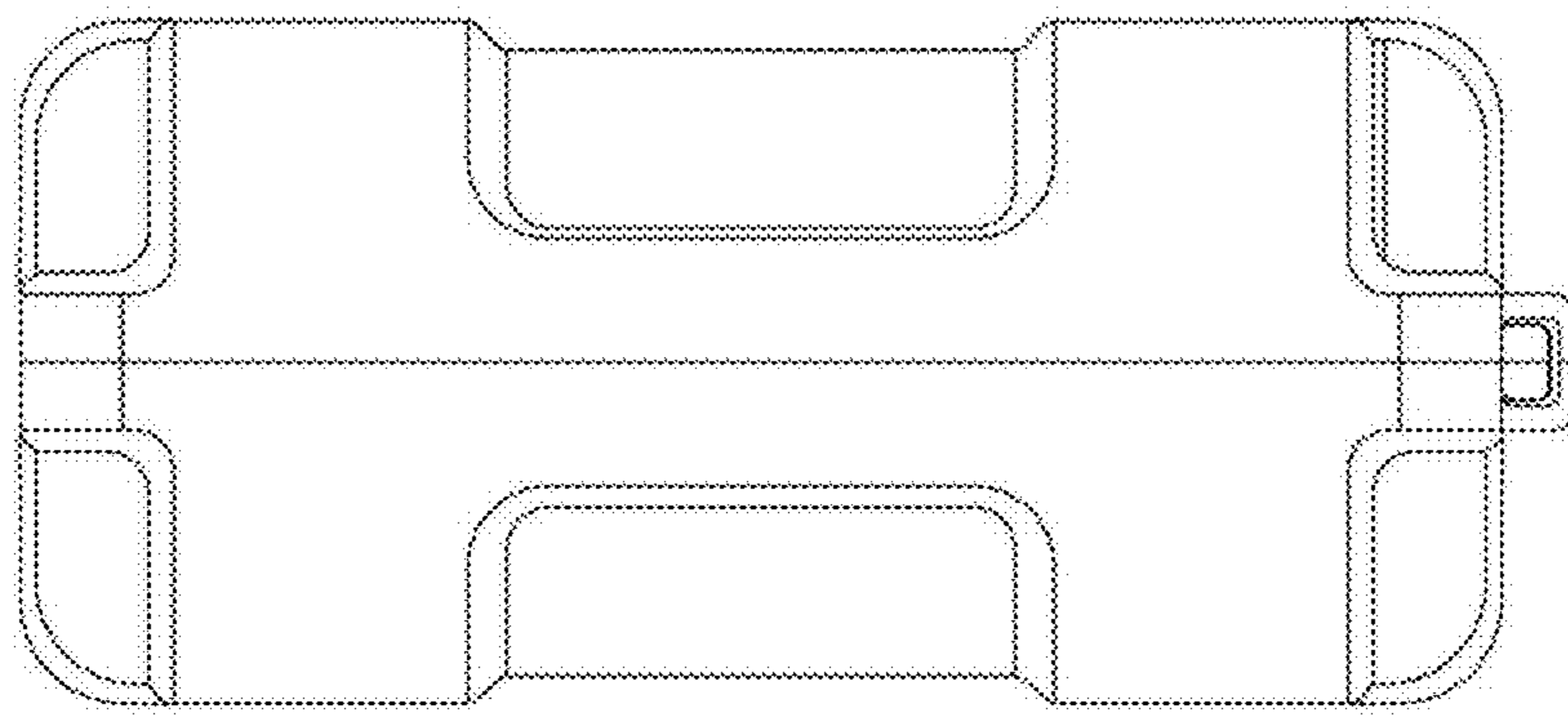


FIG. 4

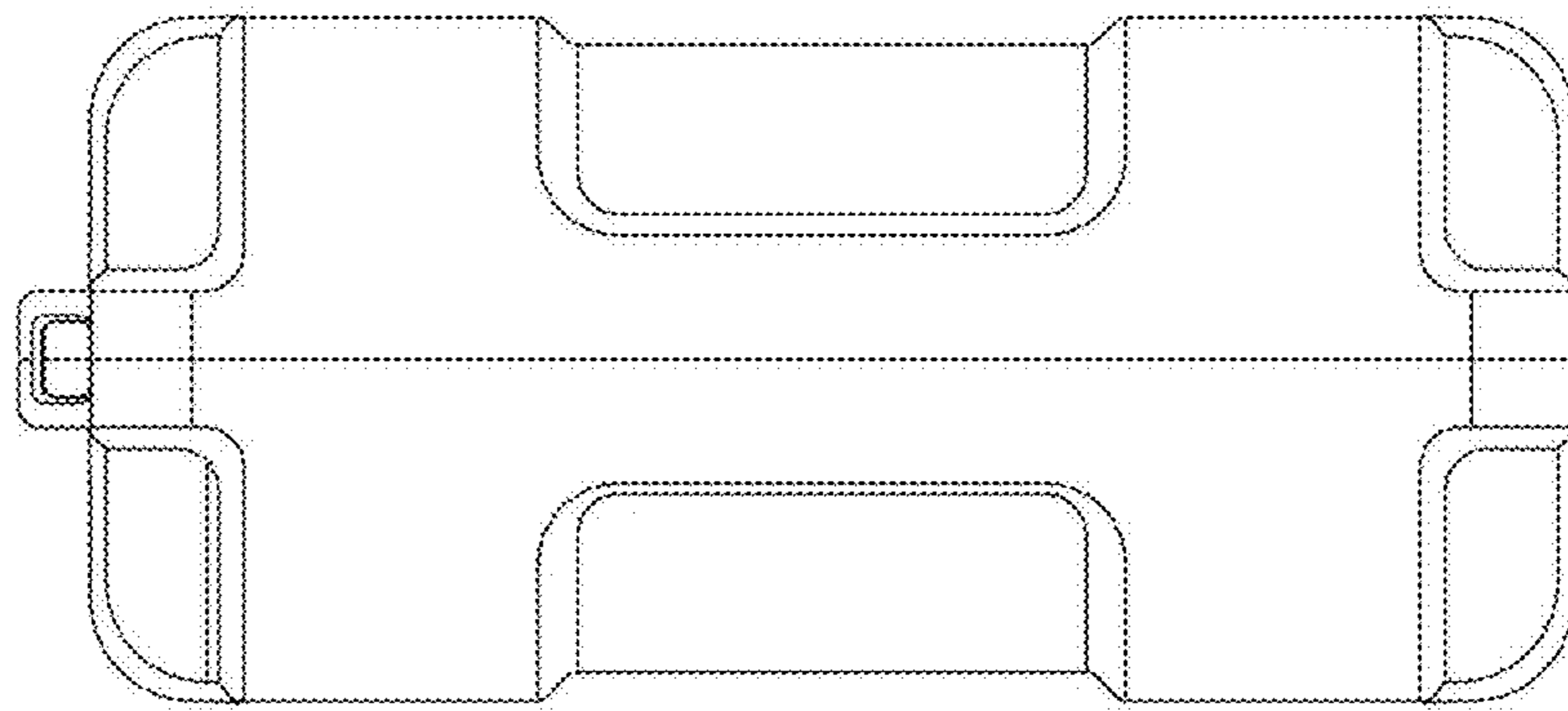


FIG. 5

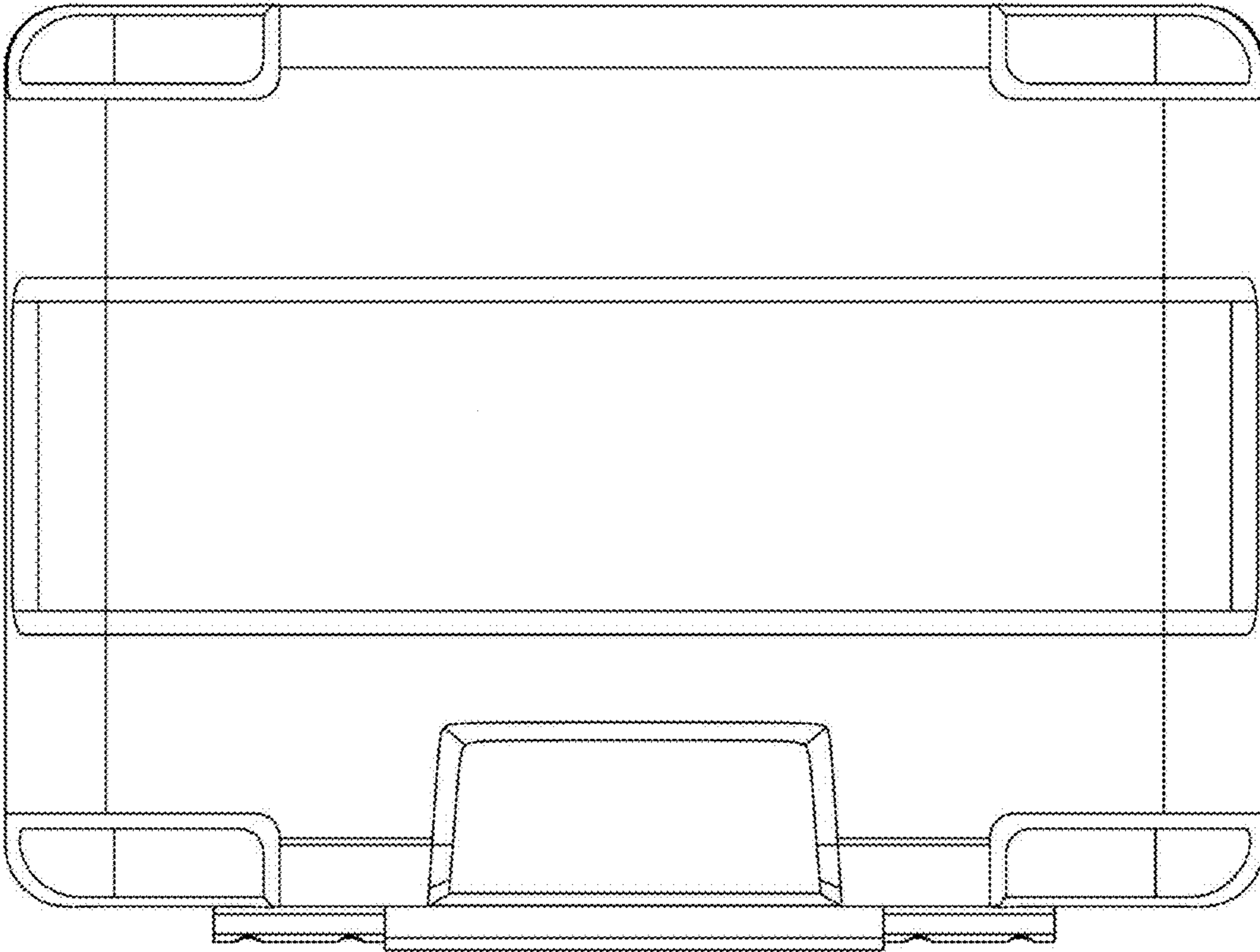


FIG. 6

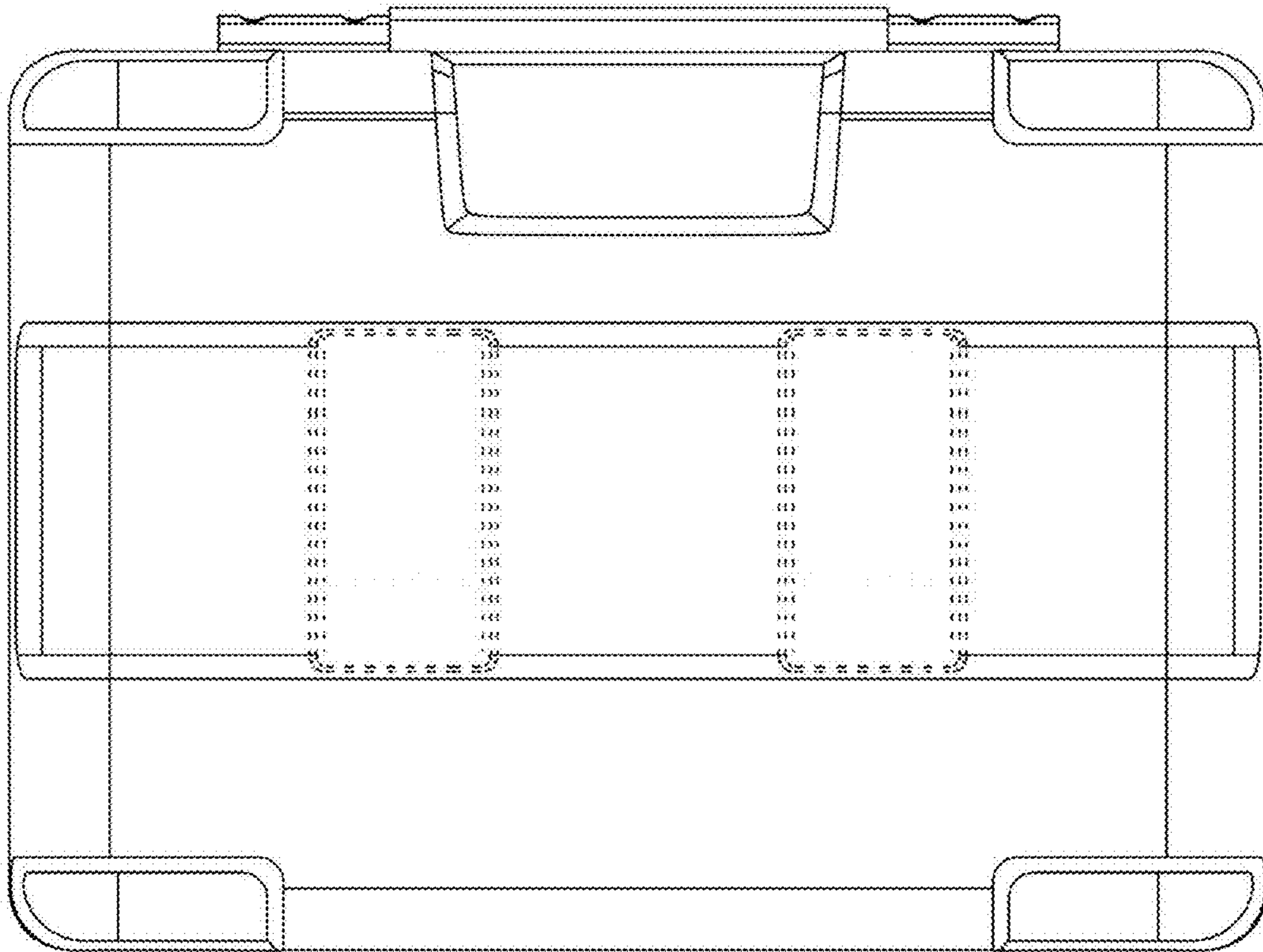


FIG. 7

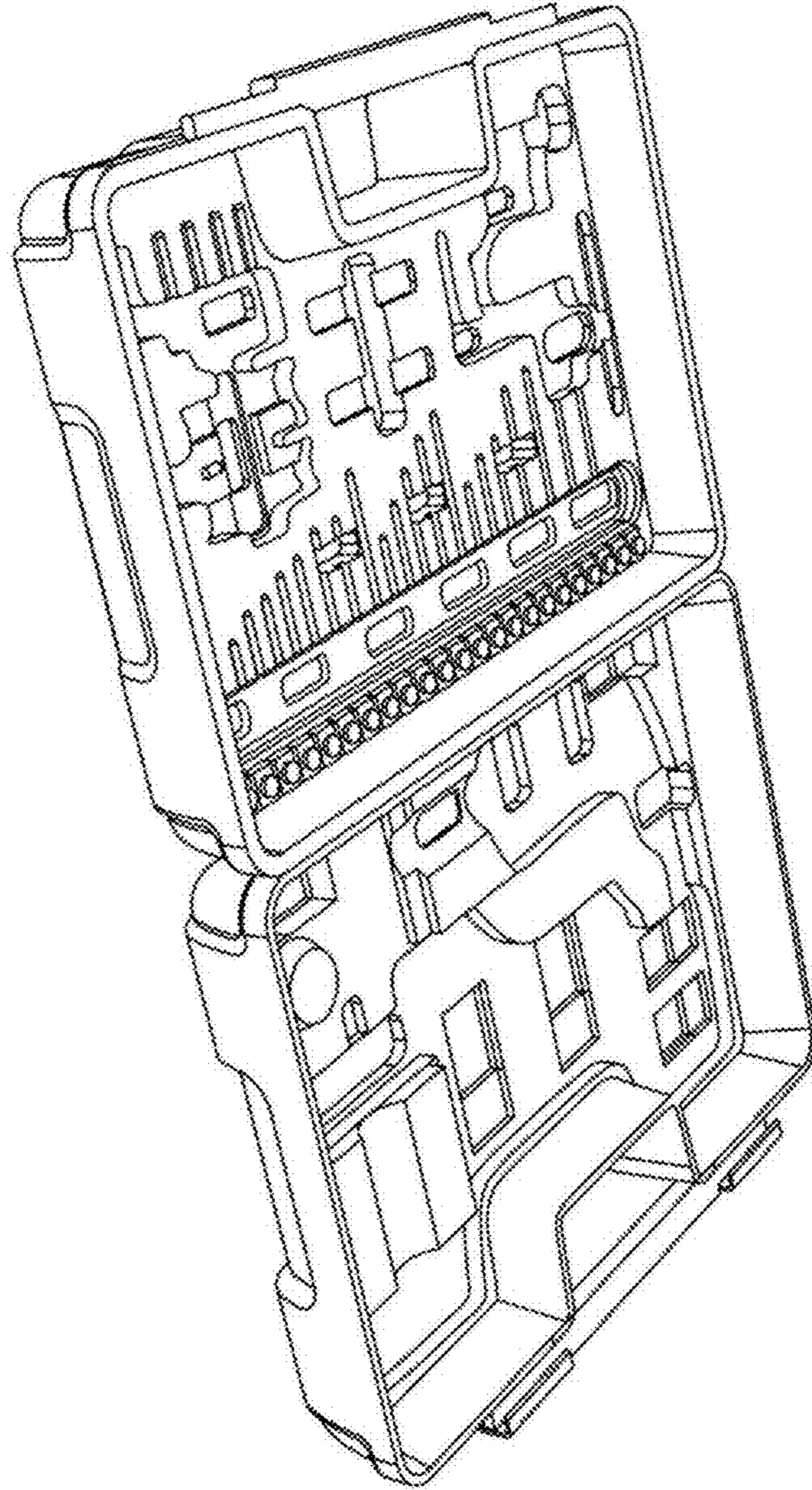


FIG. 8