

US00D964032S

(12) **United States Design Patent** (10) **Patent No.:** **US D964,032 S**  
**Thibadeau et al.** (45) **Date of Patent:** **\*\* Sep. 20, 2022**

(54) **BAG**

(71) Applicant: **Thule Sweden AB**, Hillerstorp (SE)

(72) Inventors: **Mark Thibadeau**, Boulder, CO (US);  
**Rebecca Taylor**, Longmont, CO (US);  
**Dan Skaff**, Boulder, CO (US); **Dirk Fleischhut**, Zürich (CH); **André Lüthy**, Zürich (CH)

(73) Assignee: **Thule Sweden AB**, Hillerstorp (SE)

(\*\*) Term: **15 Years**

(21) Appl. No.: **29/703,772**

(22) Filed: **Aug. 29, 2019**

(51) **LOC (13) Cl.** ..... **03-01**

(52) **U.S. Cl.**  
USPC ..... **D3/279**

(58) **Field of Classification Search**  
USPC ..... D3/274, 279, 285, 289, 900, 902, 283  
CPC ..... A45C 5/00; A45C 5/14; A45C 5/146  
See application file for complete search history.

(56) **References Cited**

**U.S. PATENT DOCUMENTS**

D358,031 S *	5/1995	Aumasson	.....	D3/276
D479,042 S *	9/2003	Szyf	.....	D3/279
D605,857 S *	12/2009	Chu	.....	D3/318
D858,100 S *	9/2019	Dong	.....	D3/279
D874,820 S *	2/2020	Suarez	.....	D3/279
D886,458 S *	6/2020	Wu	.....	D3/321
D929,734 S *	9/2021	Wu	.....	D3/289

**OTHER PUBLICATIONS**

Youtube, "Thule Spira Carry On Spinner", Published on Oct. 27, 2020. (<https://www.youtube.com/watch?v=ISaAsRu6JAA>) (Year: 2020).\*

\* cited by examiner

*Primary Examiner* — April Rivas

(74) *Attorney, Agent, or Firm* — Sterne, Kessler, Goldstein & Fox P.L.L.C.

(57) **CLAIM**

The ornamental design for a bag, as shown and described.

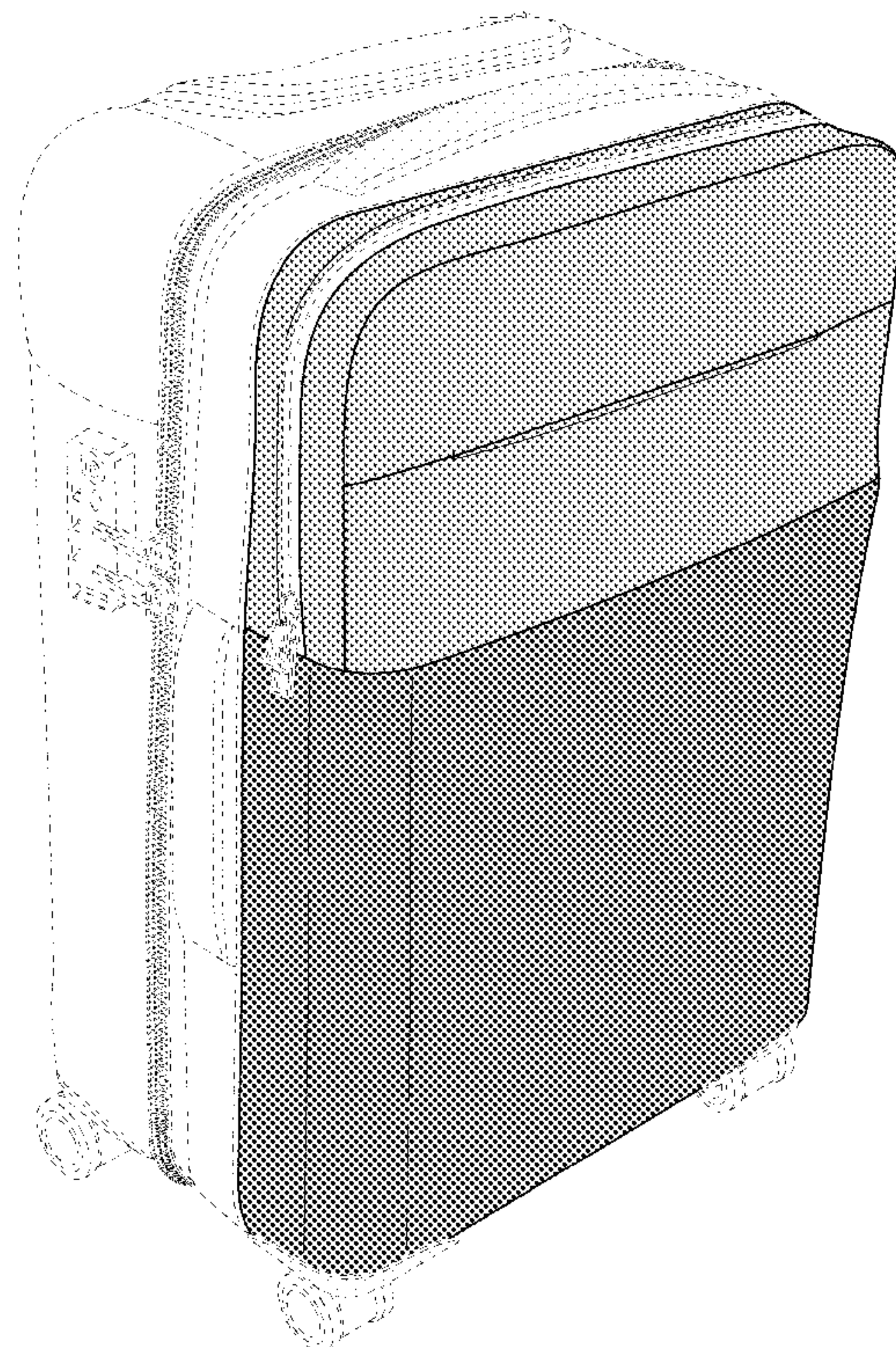
**DESCRIPTION**

FIG. 1 is a top front perspective view of a bag showing the claimed design;  
FIG. 2 is a front view thereof;  
FIG. 3 is a rear view thereof;  
FIG. 4 is a right side view thereof;  
FIG. 5 is a left side view thereof;  
FIG. 6 is a top view thereof; and,  
FIG. 7 is a bottom view thereof.

The broken lines in the figures show portions of the bag that form no part of the claimed design.

The figures are illustrated to show contrasting appearance. Areas of the bag that appear in different shades of gray represent areas with contrasting appearances.

**1 Claim, 7 Drawing Sheets**





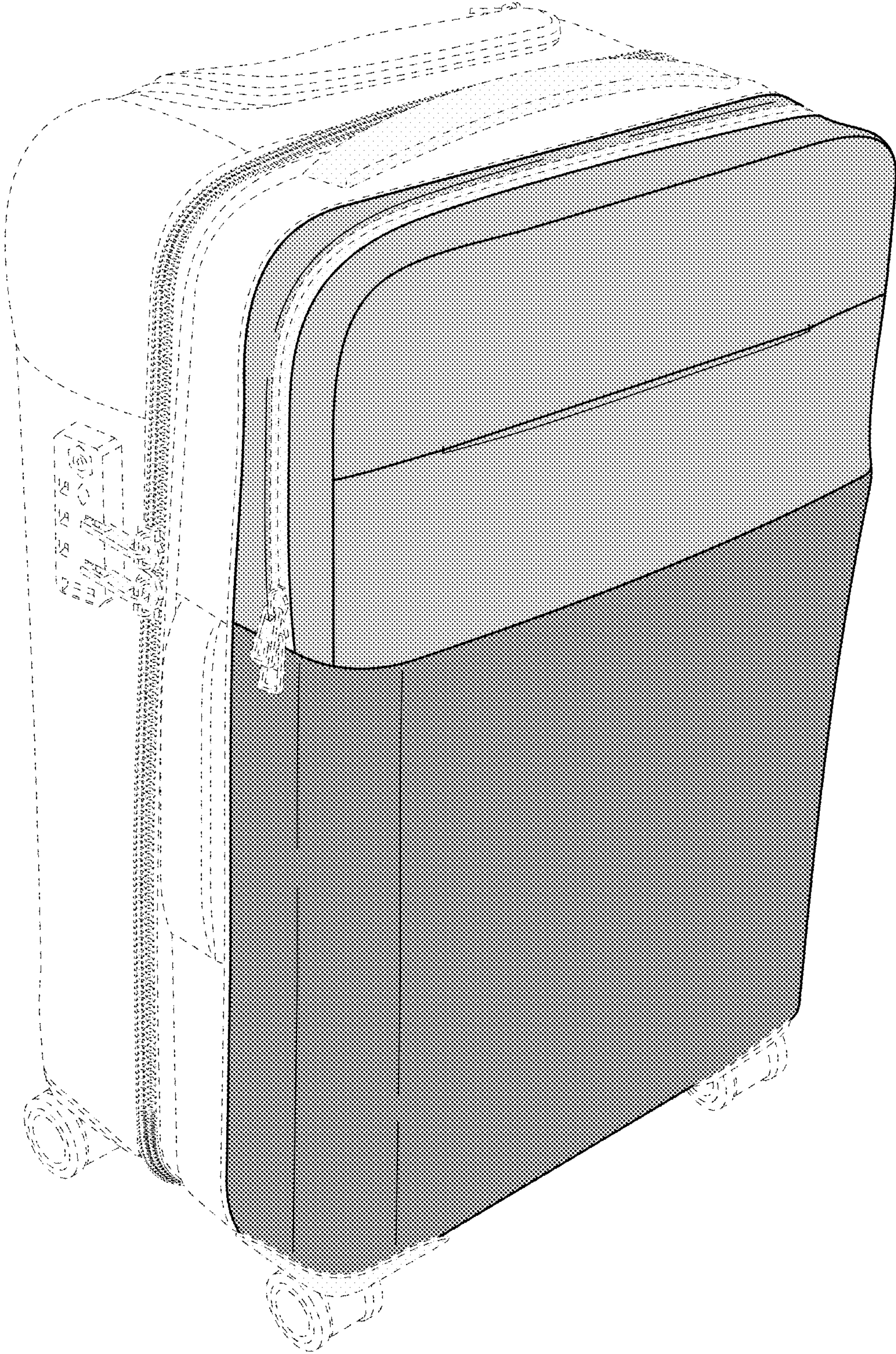


FIG. 1



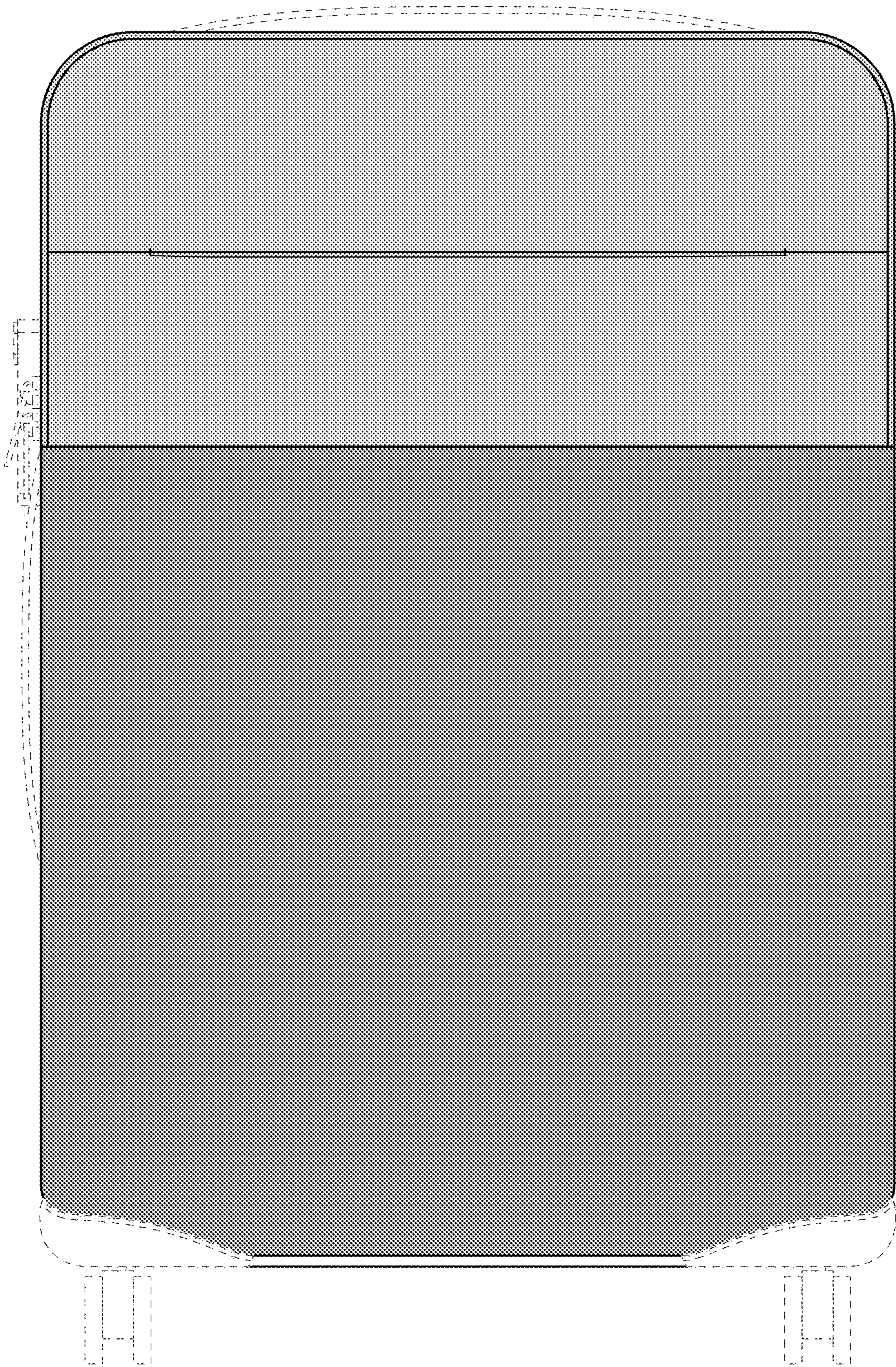


FIG. 2



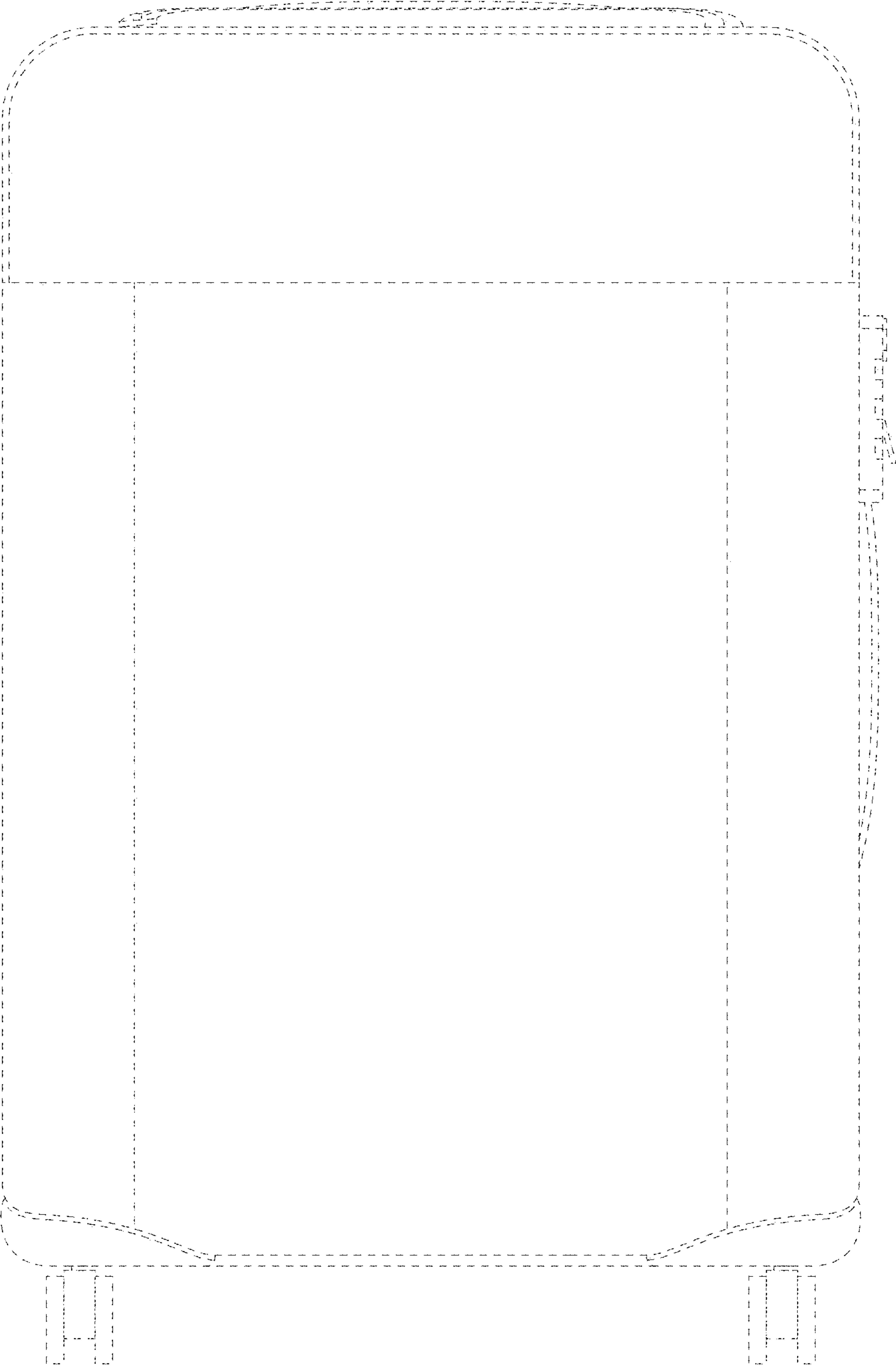


FIG. 3

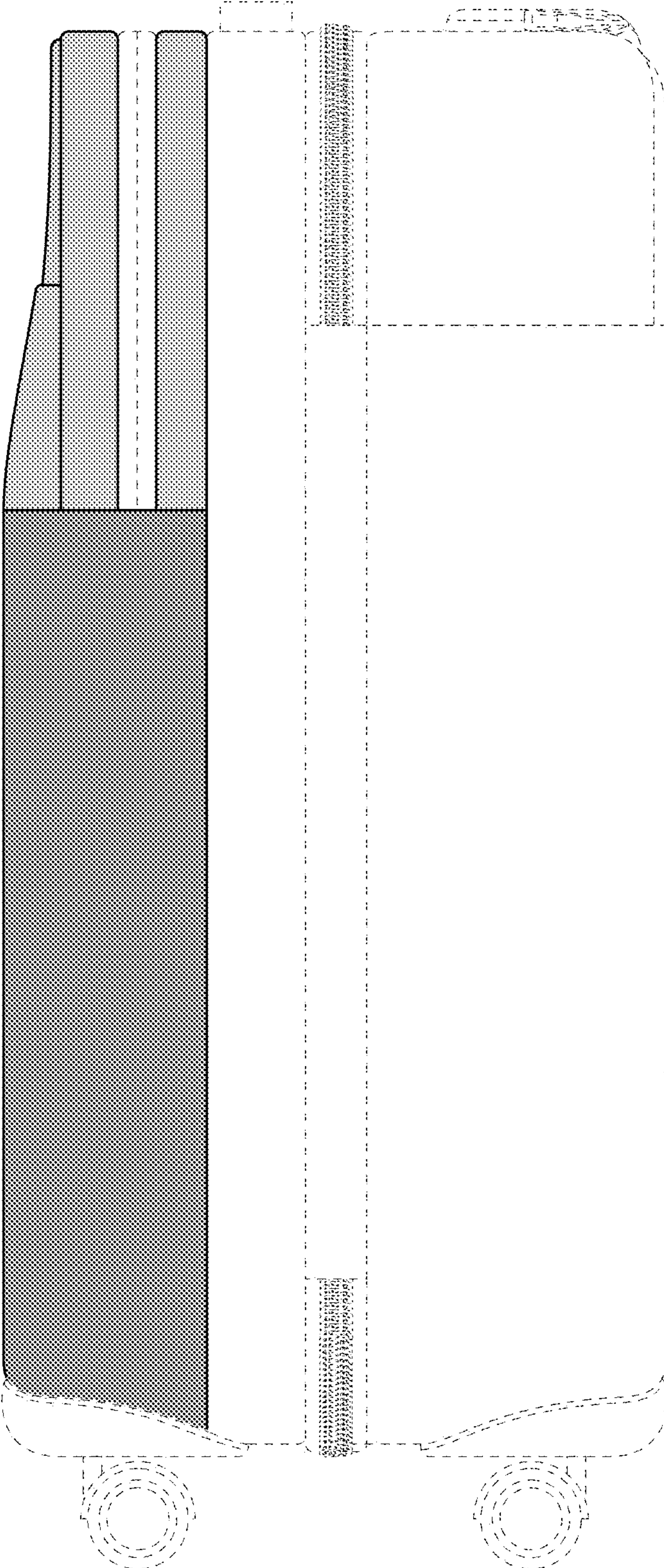


FIG. 4

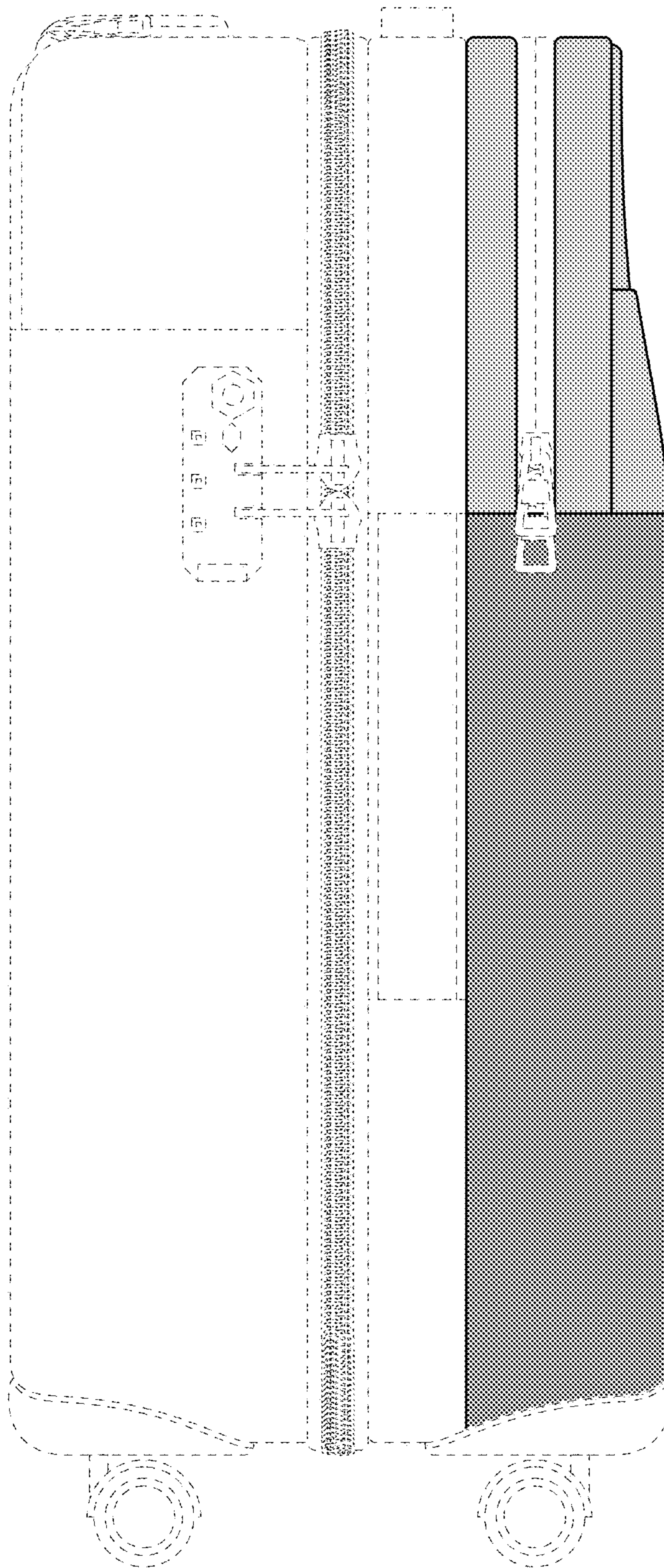


FIG. 5



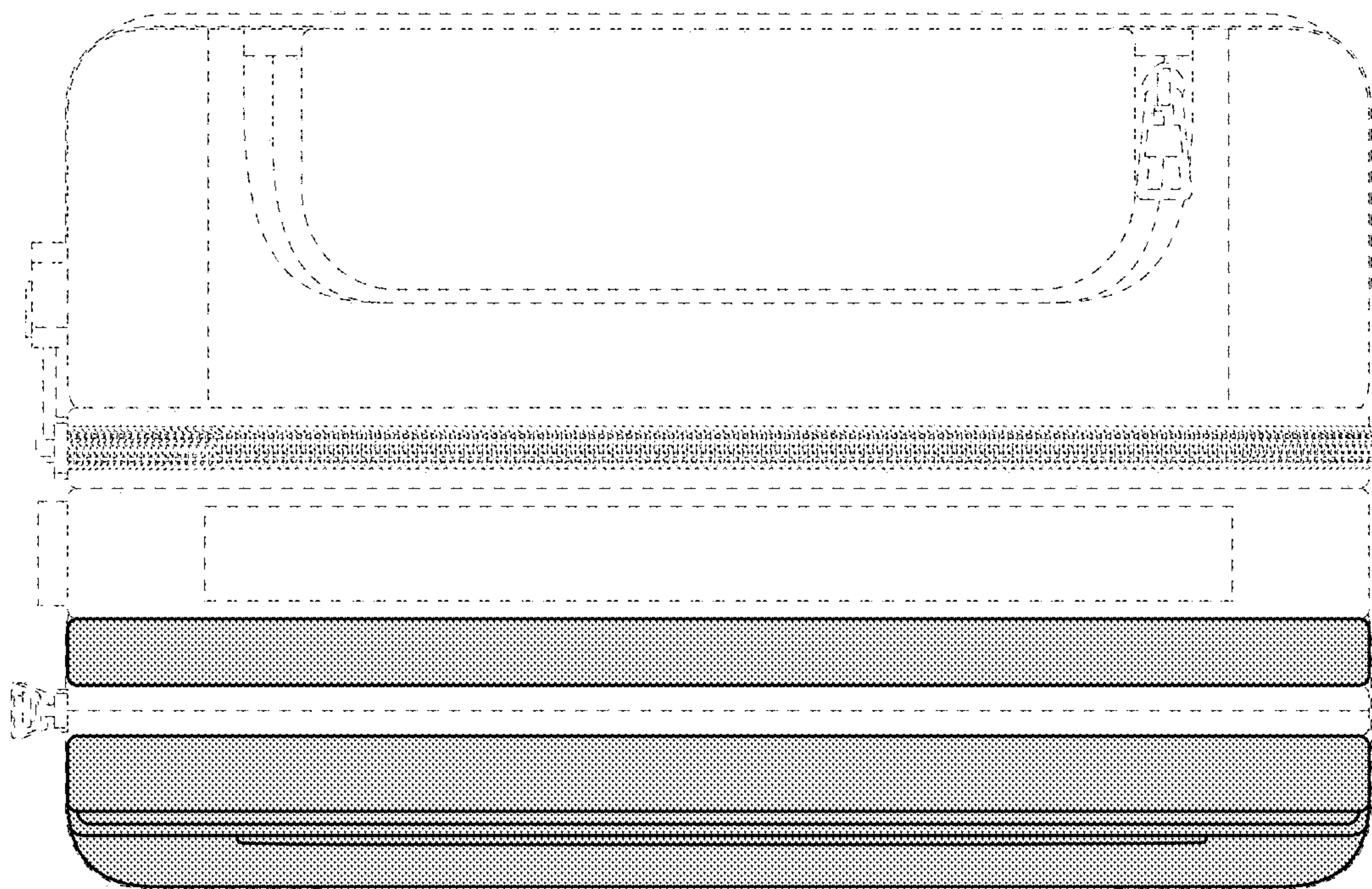
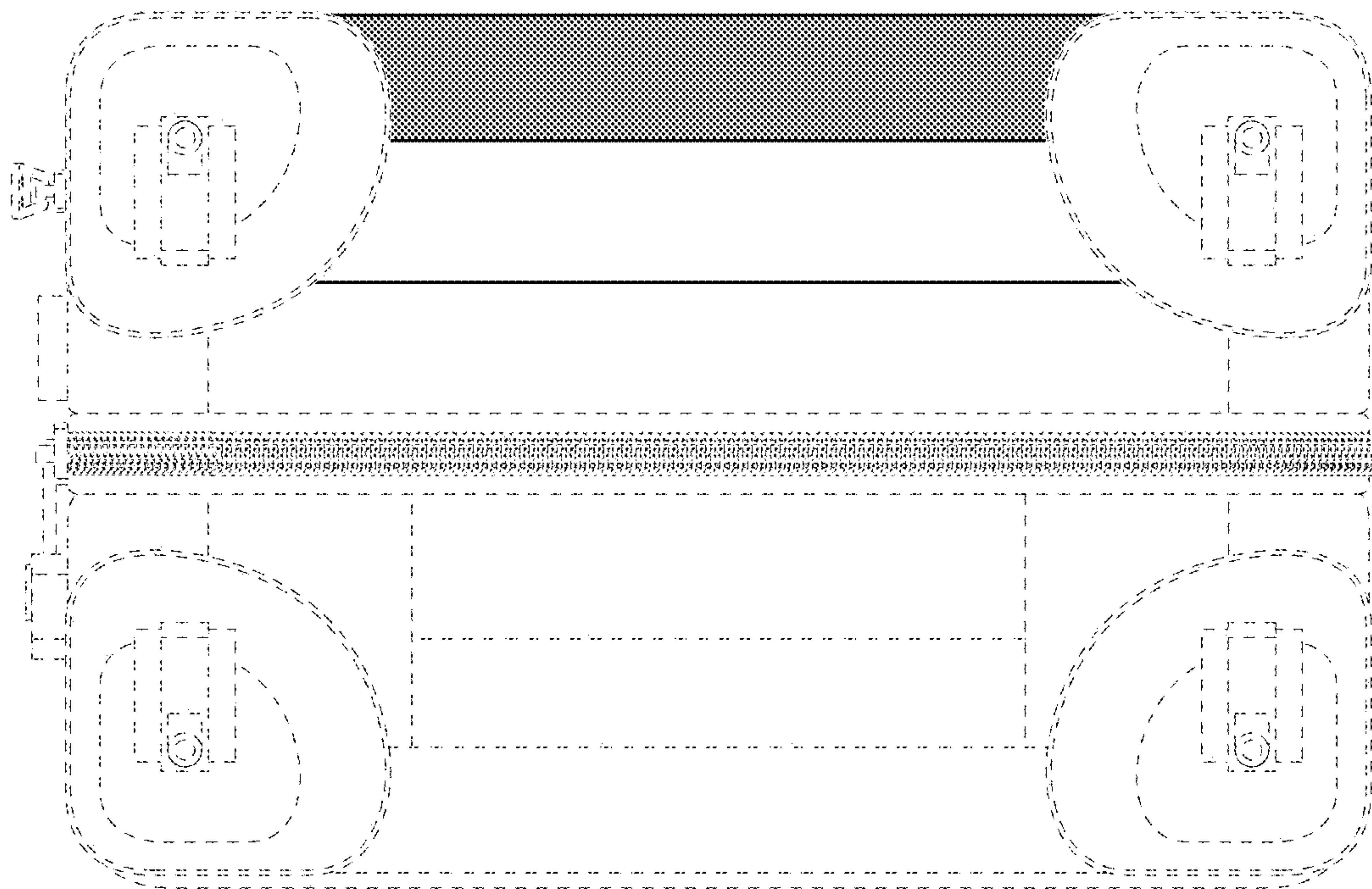


FIG. 6



**FIG. 7**