



US00D964030S

(12) **United States Design Patent**
Thibadeau et al.

(10) **Patent No.:** **US D964,030 S**
(45) **Date of Patent:** **** Sep. 20, 2022**

(54) **BAG**
(71) Applicant: **Thule Sweden AB**, Hillerstorp (SE)

D850,790 S 6/2019 Thibadeau
D854,312 S 7/2019 Seiders et al.
D854,322 S 7/2019 Seiders et al.
D882,260 S * 4/2020 Munoz D3/276

(72) Inventors: **Mark Thibadeau**, Boulder, CO (US);
Paul Fair, Denver, CO (US); **Ryan Mather**, Boulder, CO (US); **Jamie Kummerfeld**, Greeley, CO (US)

OTHER PUBLICATIONS

Amazon, "Thule Crossover 2 Wheeled Duffel 76cm/30", First on sale Jul. 2, 2019. (<https://www.amazon.com/Thule-Crossover-Wheeled-Duffel-76cm/dp/B07TS9C6KL?th=1>) (Year: 2019).*
Target, "Skyline Rolling Duffel Bag—Gray", First reviewed "5 years ago". Accessed Mar. 1, 2022. (<https://www.target.com/p/skyline-rolling-duffel-bag-gray/-/A-51268017>) (Year: 2017).*
Amazon, "Thule Subterra Duffel 60L", First reviewed Sep. 25, 2017. (<https://www.amazon.com/Thule-3203521-Subterra-Duffel-60L/dp/B0741H9P4H?th=1>) (Year: 2017).

(73) Assignee: **Thule Sweden AB**, Hillerstorp (SE)

(**) Term: **15 Years**

* cited by examiner

(21) Appl. No.: **29/694,462**

(22) Filed: **Jun. 11, 2019**

Primary Examiner — April Rivas

(51) **LOC (13) Cl.** **03-01**

(52) **U.S. Cl.**
USPC **D3/279**; D3/289

(74) *Attorney, Agent, or Firm* — Sterne, Kessler, Goldstein & Fox P.L.L.C.

(58) **Field of Classification Search**
USPC D3/274, 279, 285, 289, 900, 902
CPC A45C 5/00; A45C 5/14; A45C 5/146
See application file for complete search history.

(57) **CLAIM**

The ornamental design for a bag, as shown and described.

DESCRIPTION

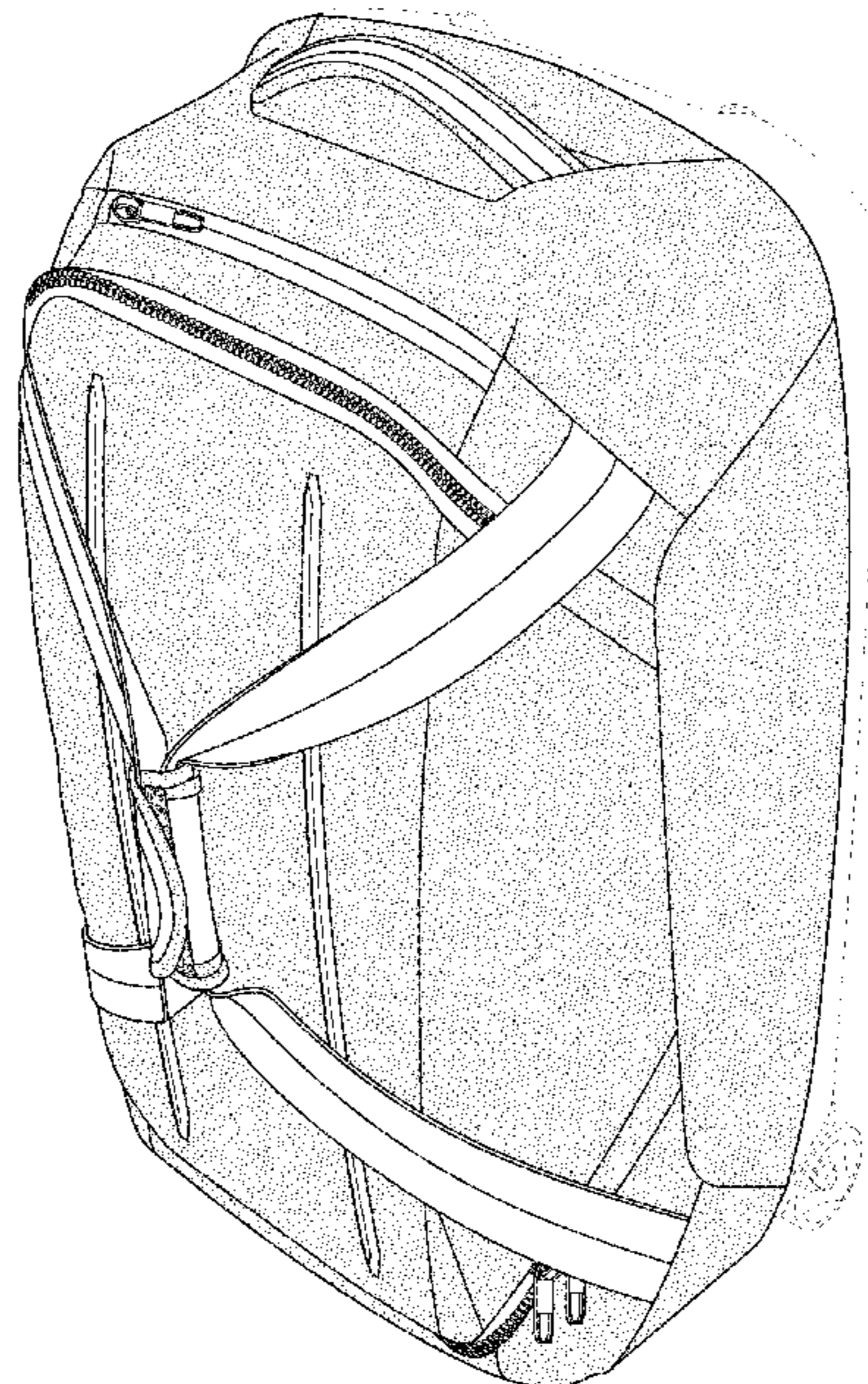
(56) **References Cited**

U.S. PATENT DOCUMENTS

D367,359 S	2/1996	Smith	
D481,540 S	* 11/2003	Van Himbeeck	D3/289
D490,242 S	5/2004	Hassett	
D509,959 S	9/2005	Nykoluk	
D512,220 S	* 12/2005	Van Himbeeck	D3/279
D532,970 S	* 12/2006	Teitloff	D3/258
D575,059 S	8/2008	Cappiello et al.	
D648,938 S	* 11/2011	Meersschaert	D3/279
D675,016 S	* 1/2013	Van Overbeke	D3/276
D731,181 S	* 6/2015	Majeau	D3/289
D782,820 S	4/2017	Thompson	
D819,327 S	6/2018	Jusic	
D834,818 S	* 12/2018	Freitag	D3/279
D840,682 S	* 2/2019	Thibadeau	D3/279

FIG. 1 is a top front perspective view of a bag showing the claimed design;
FIG. 2 is a front view thereof;
FIG. 3 is a rear view thereof;
FIG. 4 is a right side view thereof;
FIG. 5 is a left side view thereof;
FIG. 6 is a top view thereof;
FIG. 7 is a bottom view thereof; and,
FIG. 8 is a top rear perspective view thereof.
The broken lines in the figures show portions of the bag that form no part of the claimed design.
The stippling in the figures shows surface contour and not surface ornamentation.

1 Claim, 8 Drawing Sheets



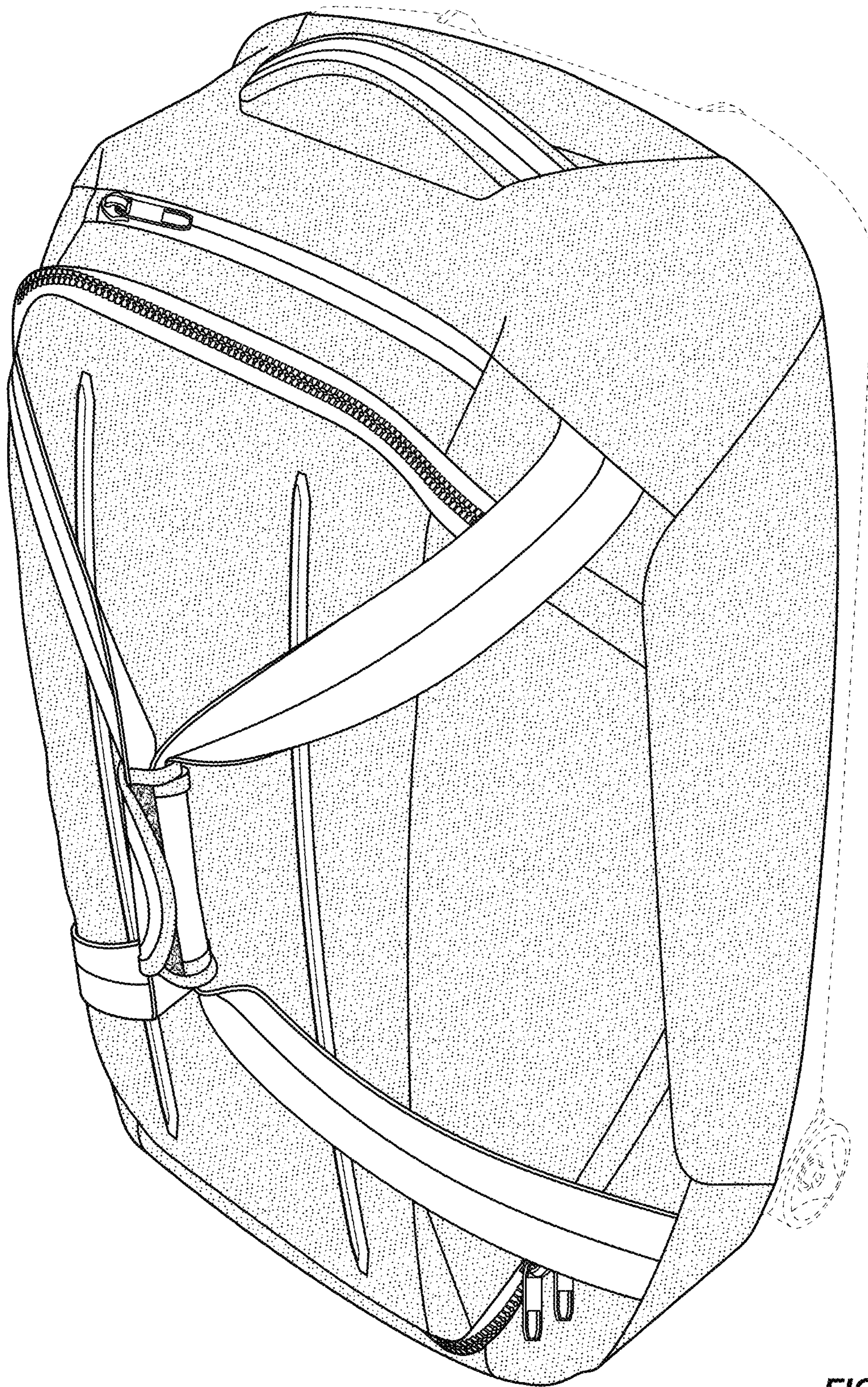


FIG. 1

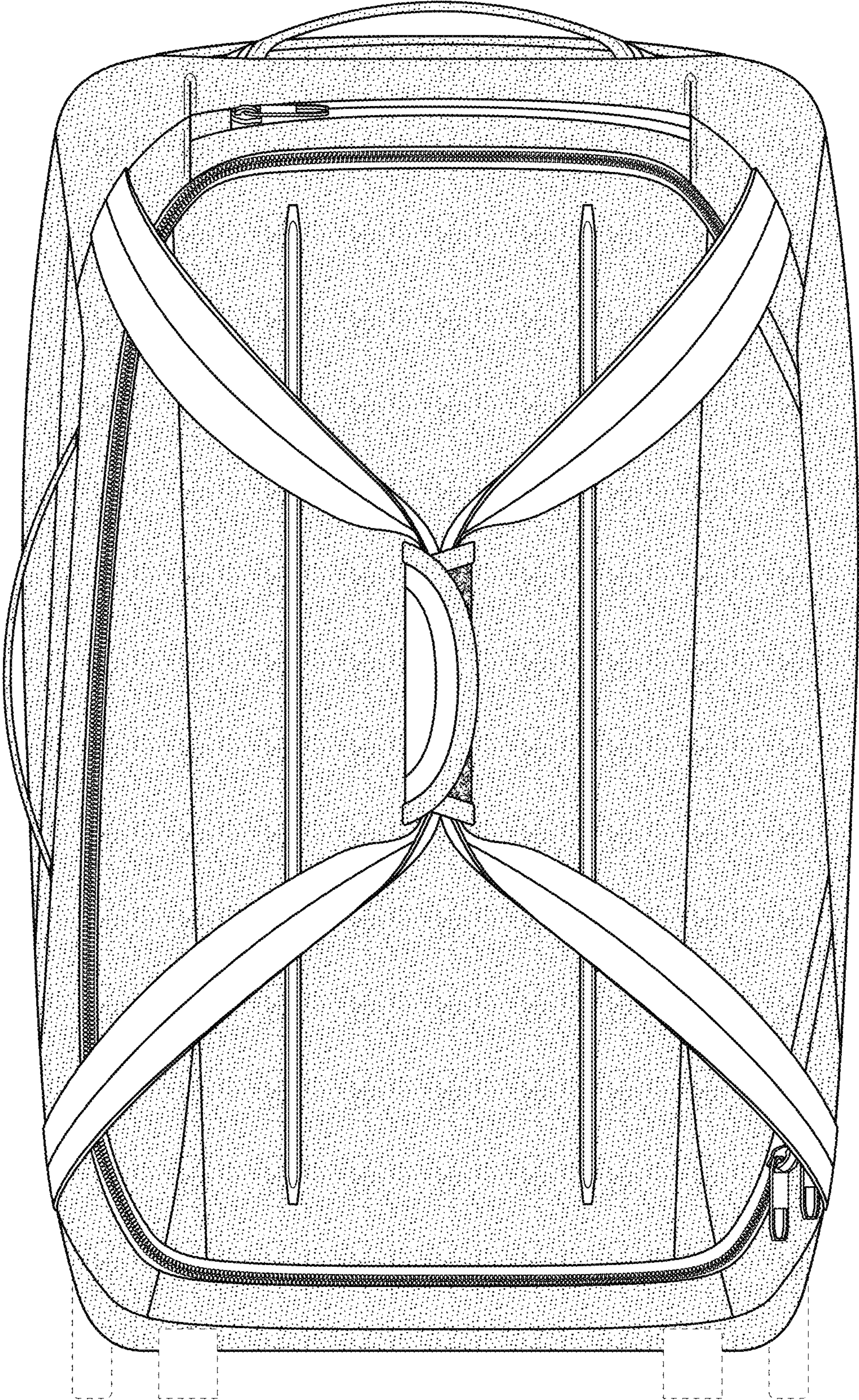


FIG. 2

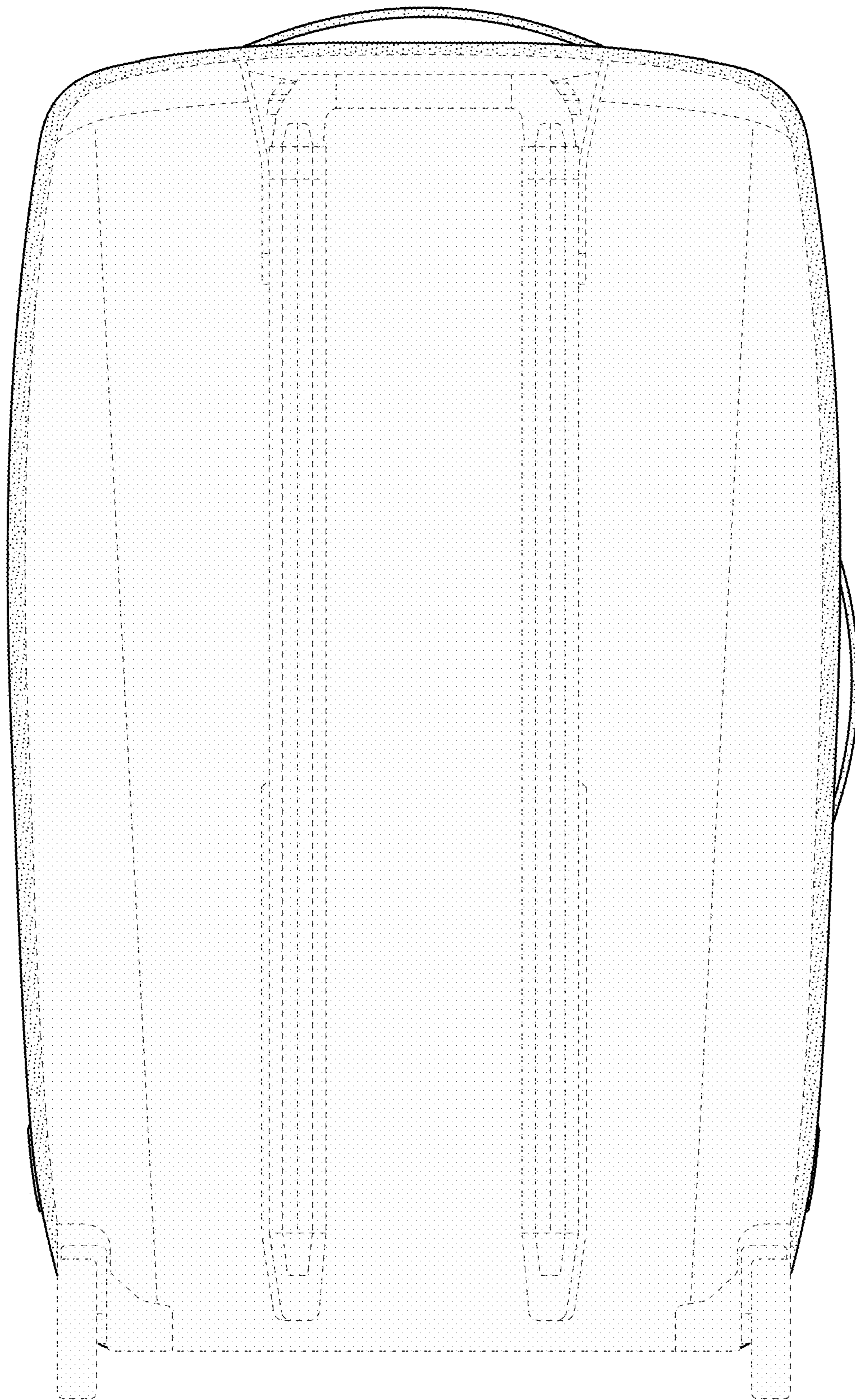


FIG. 3

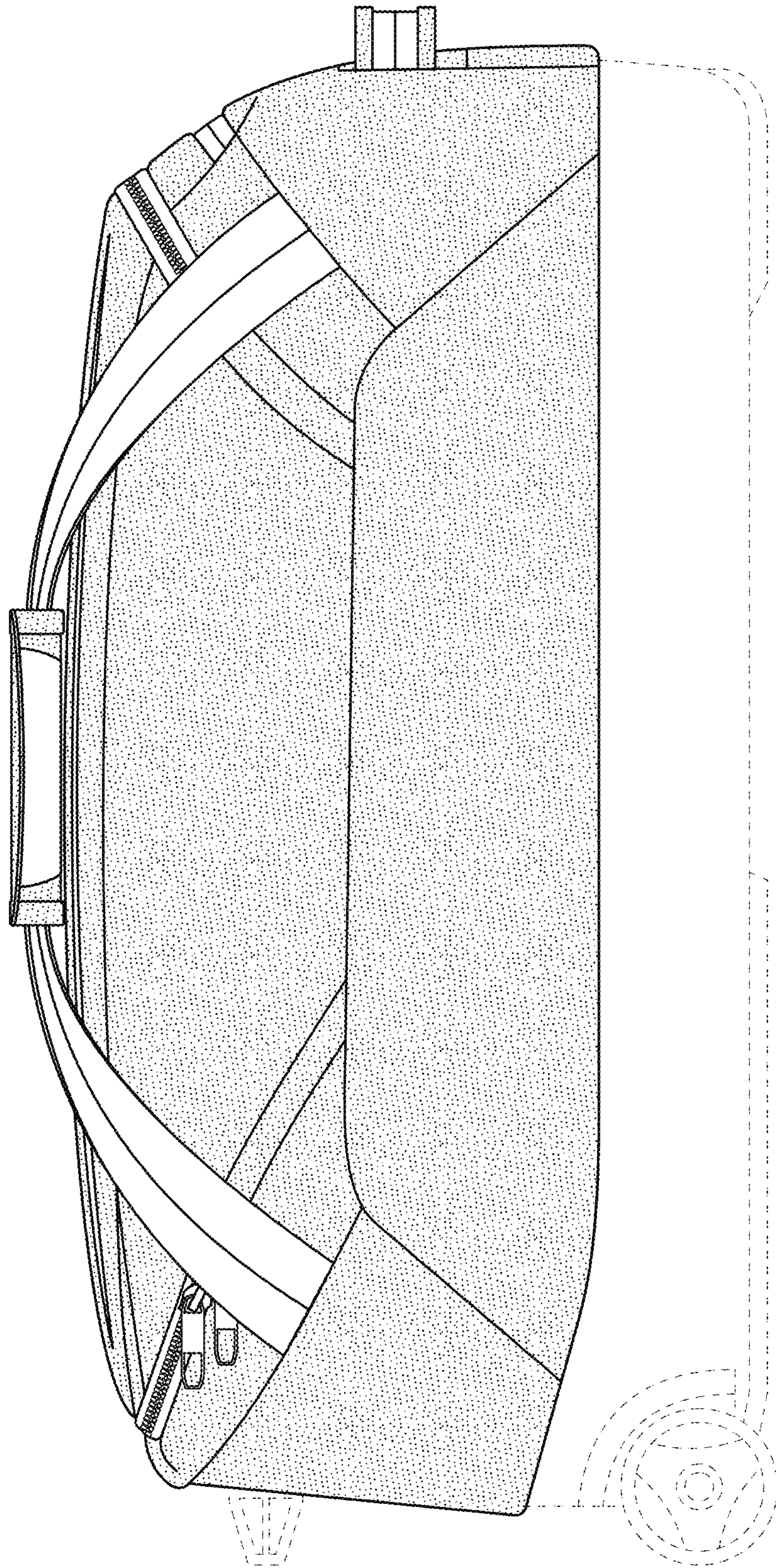


FIG. 4

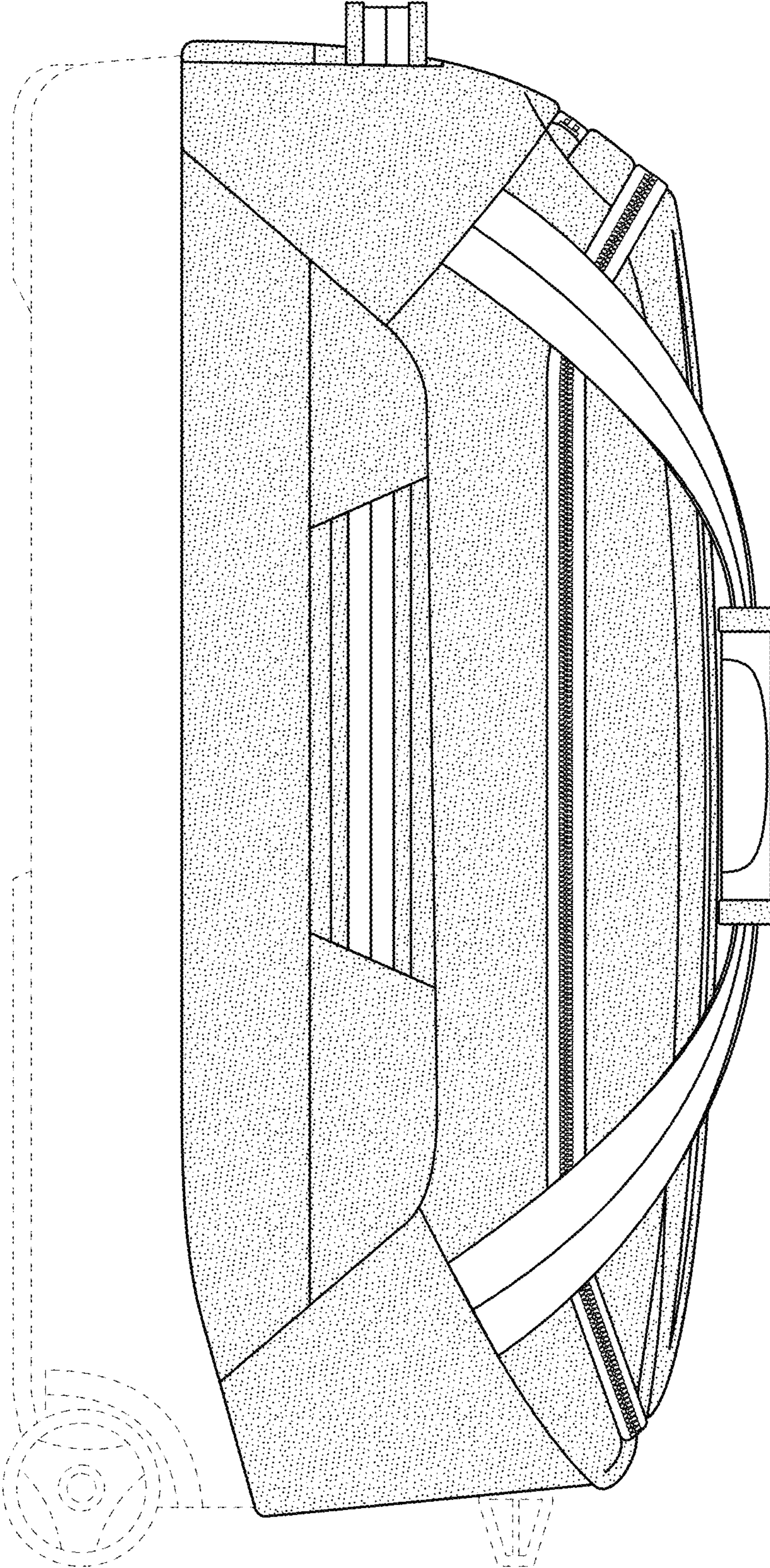


FIG. 5

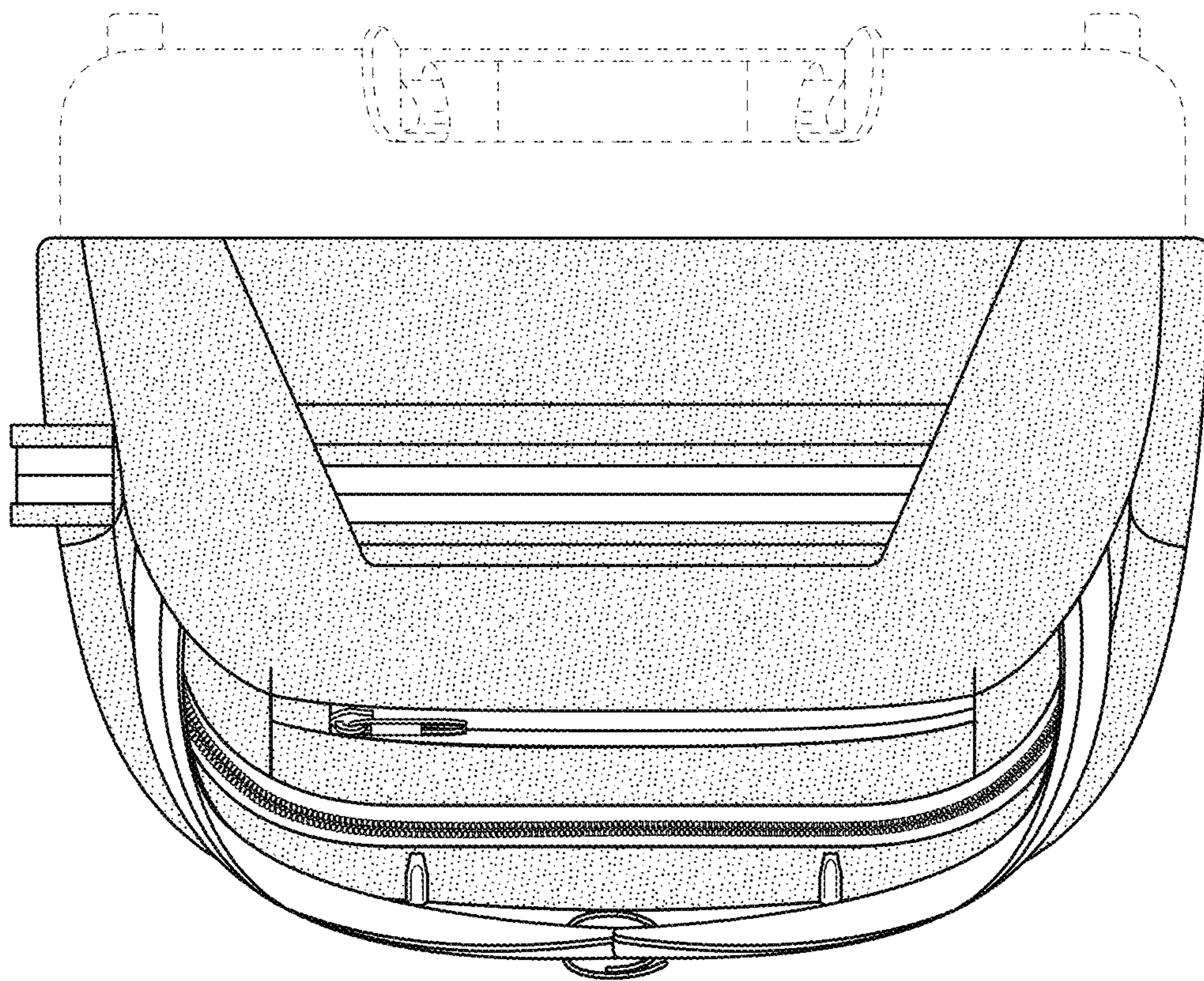


FIG. 6

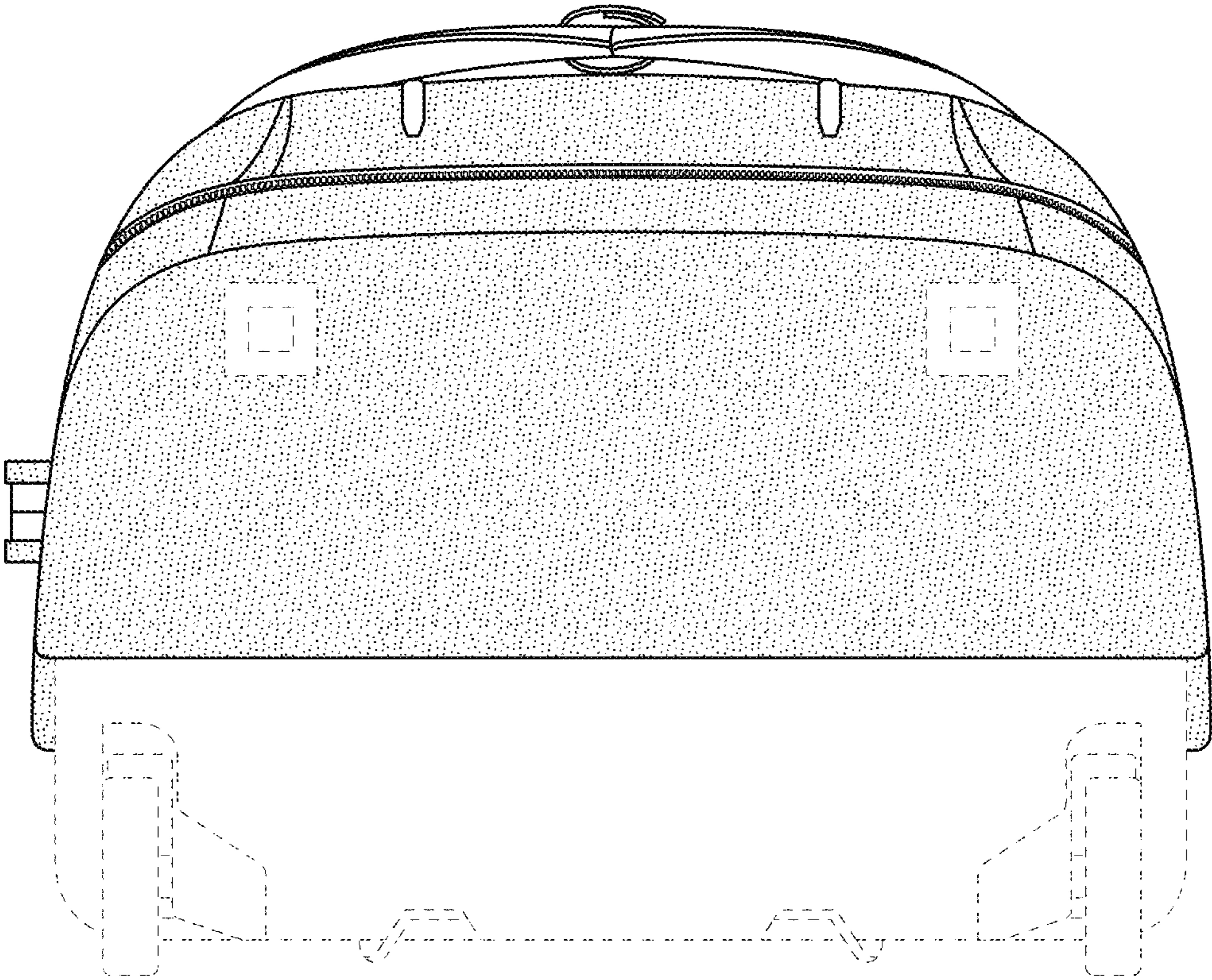


FIG. 7

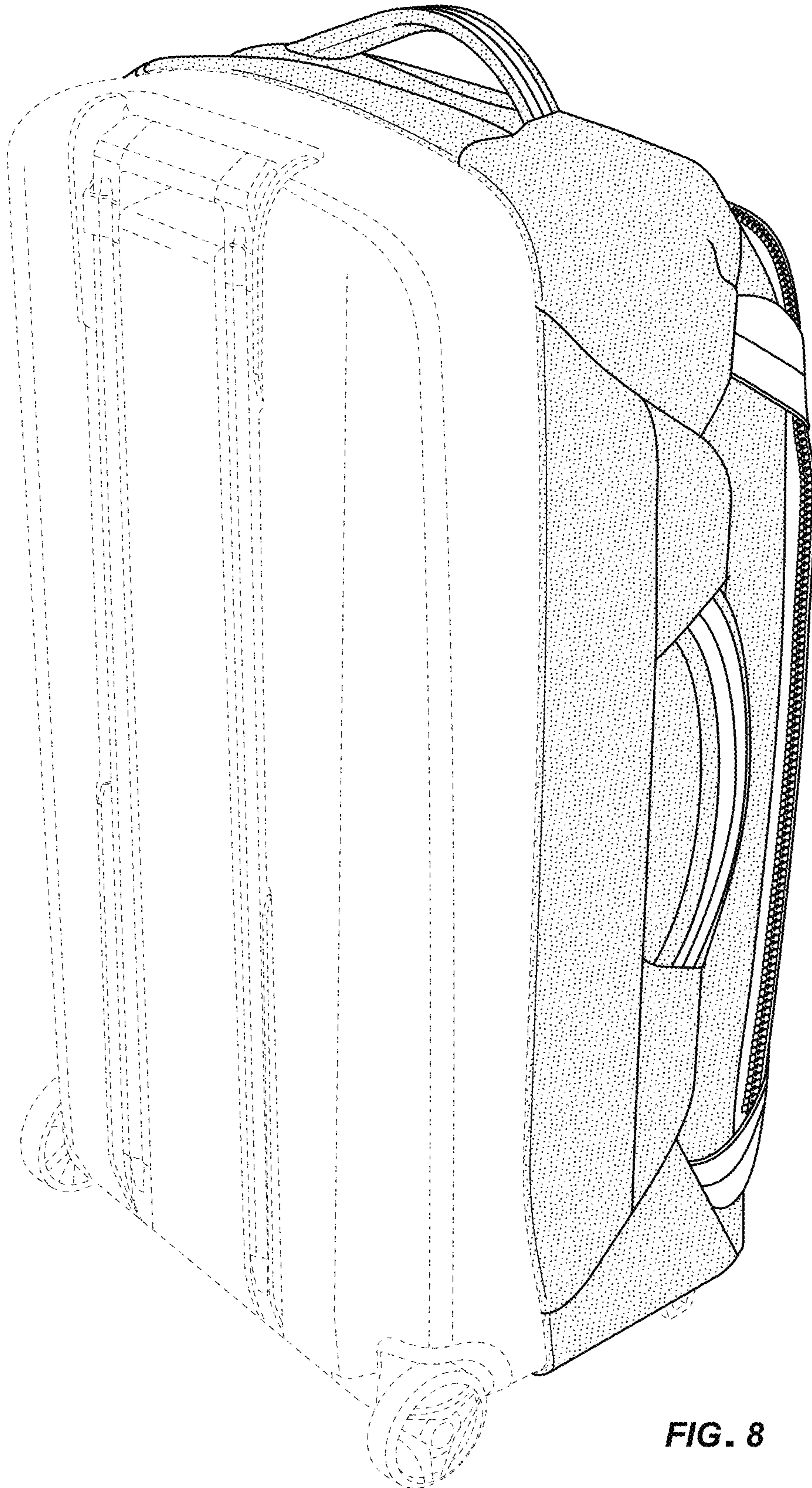


FIG. 8