



US00D964029S

(12) **United States Design Patent** (10) **Patent No.:** **US D964,029 S**
Adin et al. (45) **Date of Patent:** **** Sep. 20, 2022**

(54) **LARGE CONTAINER**
 (71) Applicant: **The Stanley Works Israel Ltd.**, Rosh Ha' Ayin (IL)
 (72) Inventors: **Lev Adin**, Rehovot (IL); **Noam Twig**, Petach Tikva (IL); **Sharon' Bar-Erez**, Gan Yehoshia (IL)

D709,697 S * 7/2014 Brunner D3/281
 D738,105 S * 9/2015 Shitrit D3/276
 D744,750 S * 12/2015 Sabbag D3/281
 D857,387 S * 8/2019 Shpitzer D3/281
 2010/0012538 A1* 1/2010 Brunner E05C 1/10
 206/373

(Continued)

FOREIGN PATENT DOCUMENTS

(73) Assignee: **The Stanley Works Israel Ltd.**, Rosh Ha' Ayin (IL)

CA 158532 * 4/2015
 CN 301592841 * 6/2011

(Continued)

(**) Term: **15 Years**

OTHER PUBLICATIONS

(21) Appl. No.: **29/740,043**

Techlifeland.com, Site visited Dec. 29, 2021, "Best Tool Box for your Workplace" by Jeffrey Alfaro, published Jul. 1, 2019 features the DeWalt DWST17806 deep tool organizer, <https://www.techlifeland.com/best-tool-box/> (Year: 2019).*

(22) Filed: **Jun. 30, 2020**

(Continued)

(30) **Foreign Application Priority Data**

Jan. 9, 2020 (EM) 007493812-0001

(51) **LOC (13) Cl.** **03-01**

(52) **U.S. Cl.**
USPC **D3/276; D3/281; D3/291**

(58) **Field of Classification Search**
 USPC D3/272, 273, 274, 275, 276, 279, 281, D3/282, 283, 284, 285, 289, 294, 301, D3/318, 319, 321, 900, 901, 902, 903, D3/904, 905, 328, 204, 322; D8/323, D8/324, 325, 326, 327, 328, 329, 383, D8/403

CPC A45C 5/00; A45C 5/14; A45C 5/03; A45C 13/03

See application file for complete search history.

Primary Examiner — Brett Miller

Assistant Examiner — Jessica M Gebhart

(74) *Attorney, Agent, or Firm* — Bruce S. Shapiro

(57) **CLAIM**

The ornamental design for a large container, as shown and described.

DESCRIPTION

FIG. 1 is a perspective frontal-side view of a large container;
 FIG. 2 is a top view thereof;
 FIG. 3 is a bottom view thereof;
 FIG. 4 is a front view thereof;
 FIG. 5 is a rear view thereof;
 FIG. 6 is a right side view thereof; and,
 FIG. 7 is a left side view thereof.

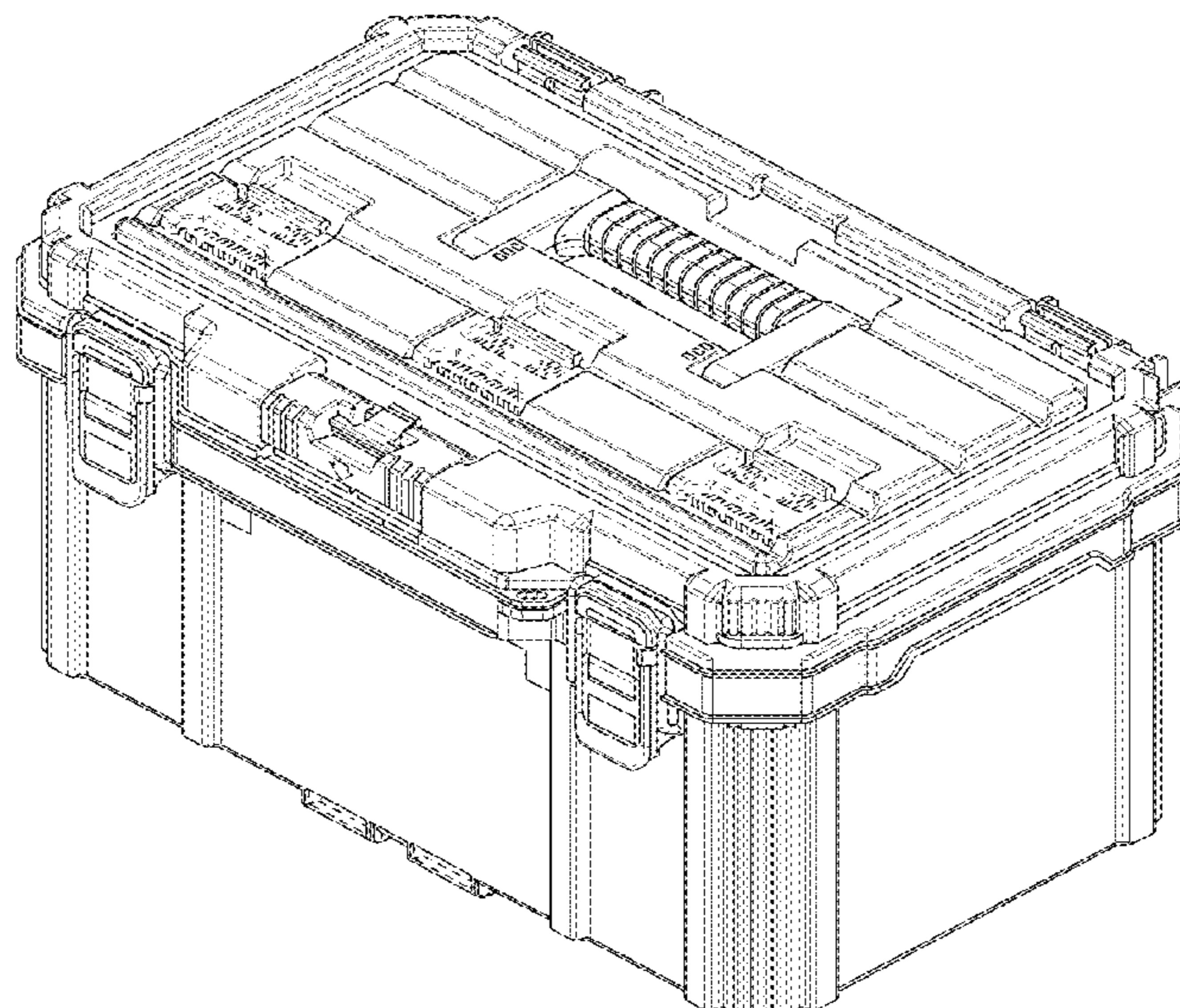
The broken lines illustrate portions of the large container and form no part of the claimed design.

1 Claim, 7 Drawing Sheets

(56) **References Cited**

U.S. PATENT DOCUMENTS

D424,297 S * 5/2000 Story D3/276
 D513,123 S * 12/2005 Richardson D3/273
 D600,912 S * 9/2009 Brunner D3/291
 D609,913 S * 2/2010 Landau D3/321



(56)

References Cited

U.S. PATENT DOCUMENTS

2014/0166516 A1* 6/2014 Martinez A45C 3/001
206/372

FOREIGN PATENT DOCUMENTS

CN 301961362 * 6/2012
CN 303381338 * 9/2015
CN 305701691 * 4/2020
EM 002562322-0003 * 10/2014

OTHER PUBLICATIONS

Wayfair.com, Site visited Jan. 4, 2022, Homak 19" Tool Box, Oldest review Dec. 9, 2019, <https://www.wayfair.com/storage-organization/pdp/homak-19-tool-box-hmak1035.html> (Year: 2019).*

Amazon.com, Site visited Apr. 4, 2022, Stanley Tools Essential Toolbox, 19" First available Jan. 30, 2016, <https://www.amazon.com/St Stanley-Tools-Consumer-Storage-STST19331/dp/B01B9KQ18O> (Year: 2016).*

* cited by examiner

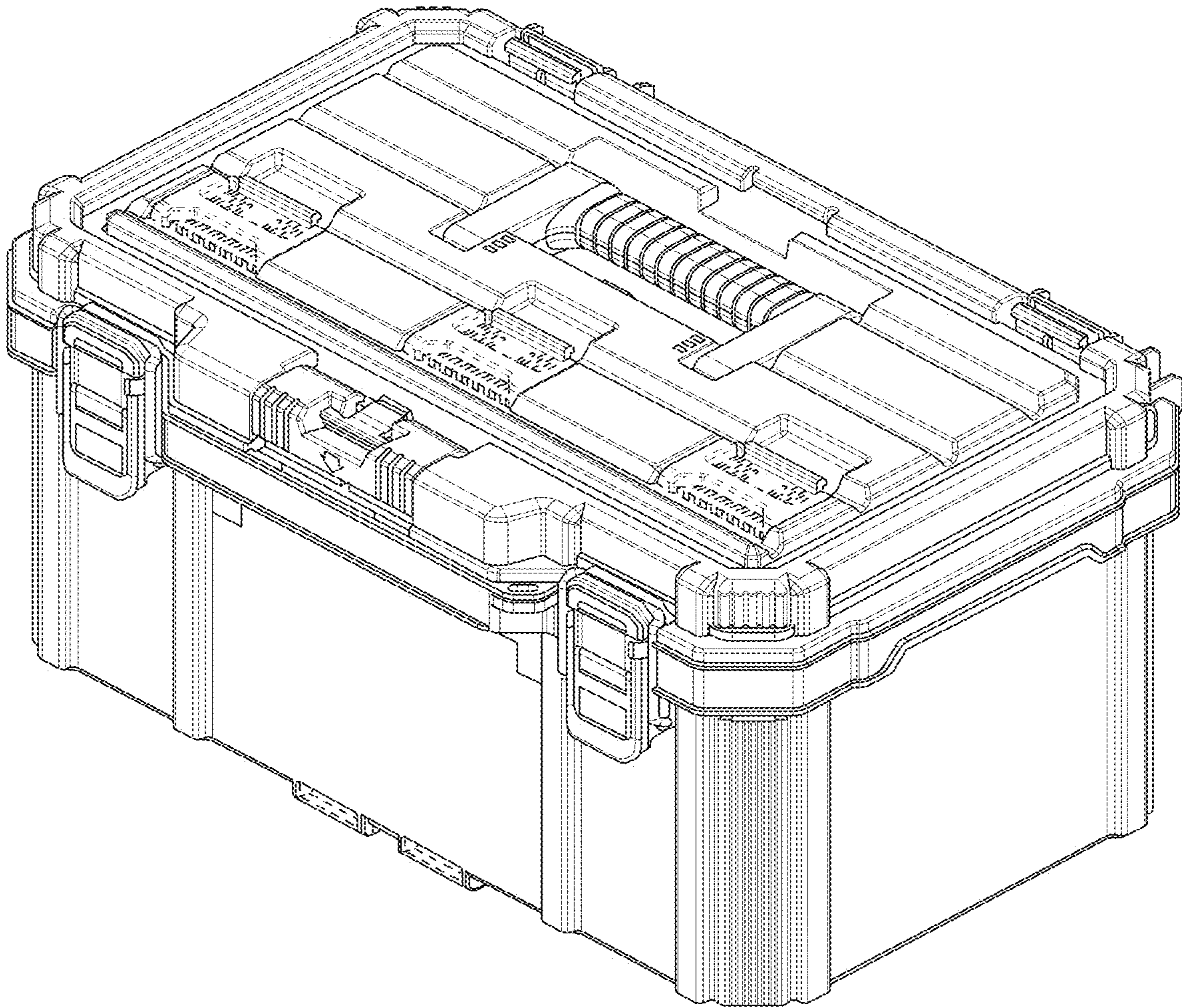


FIG. 1

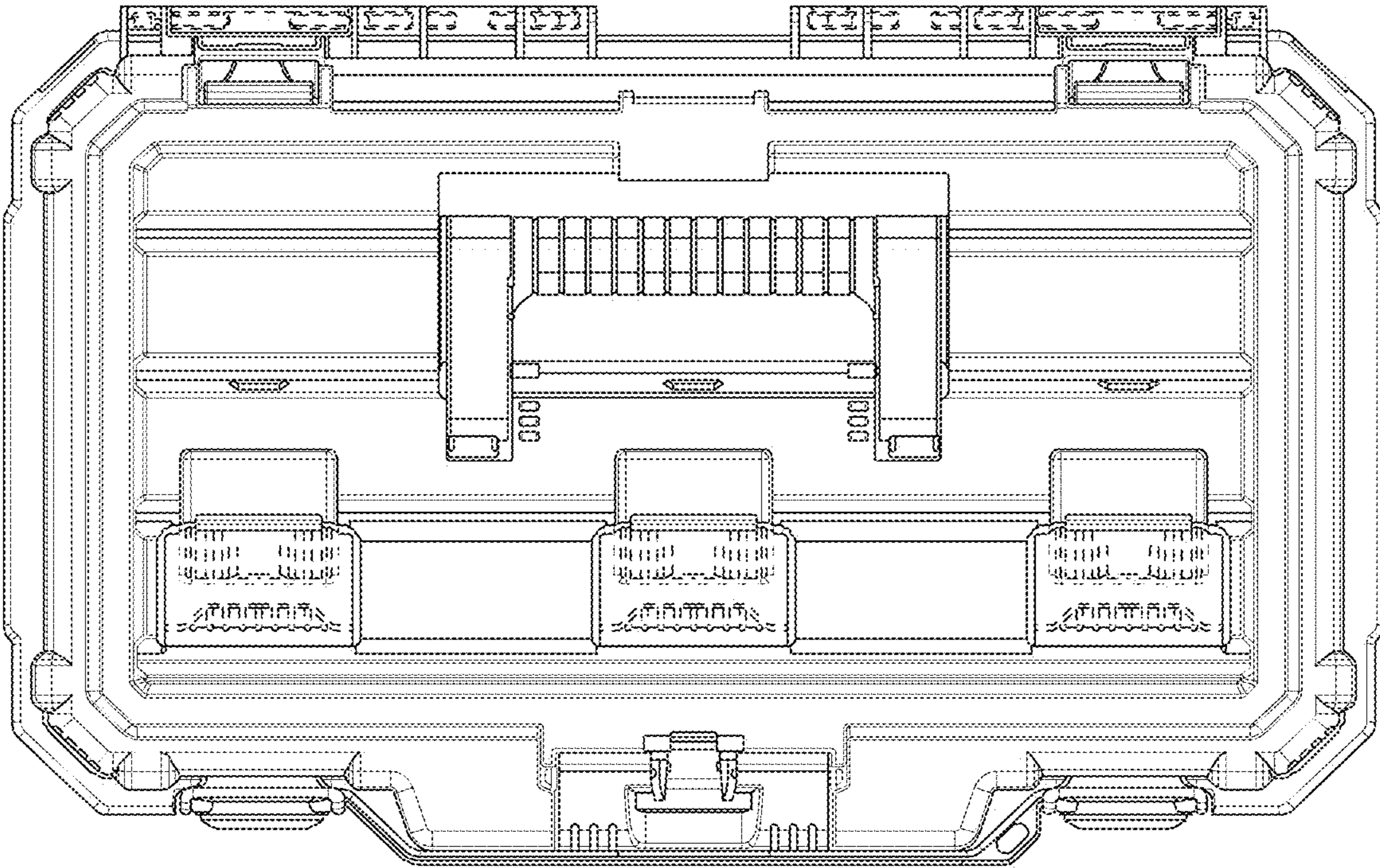


FIG. 2

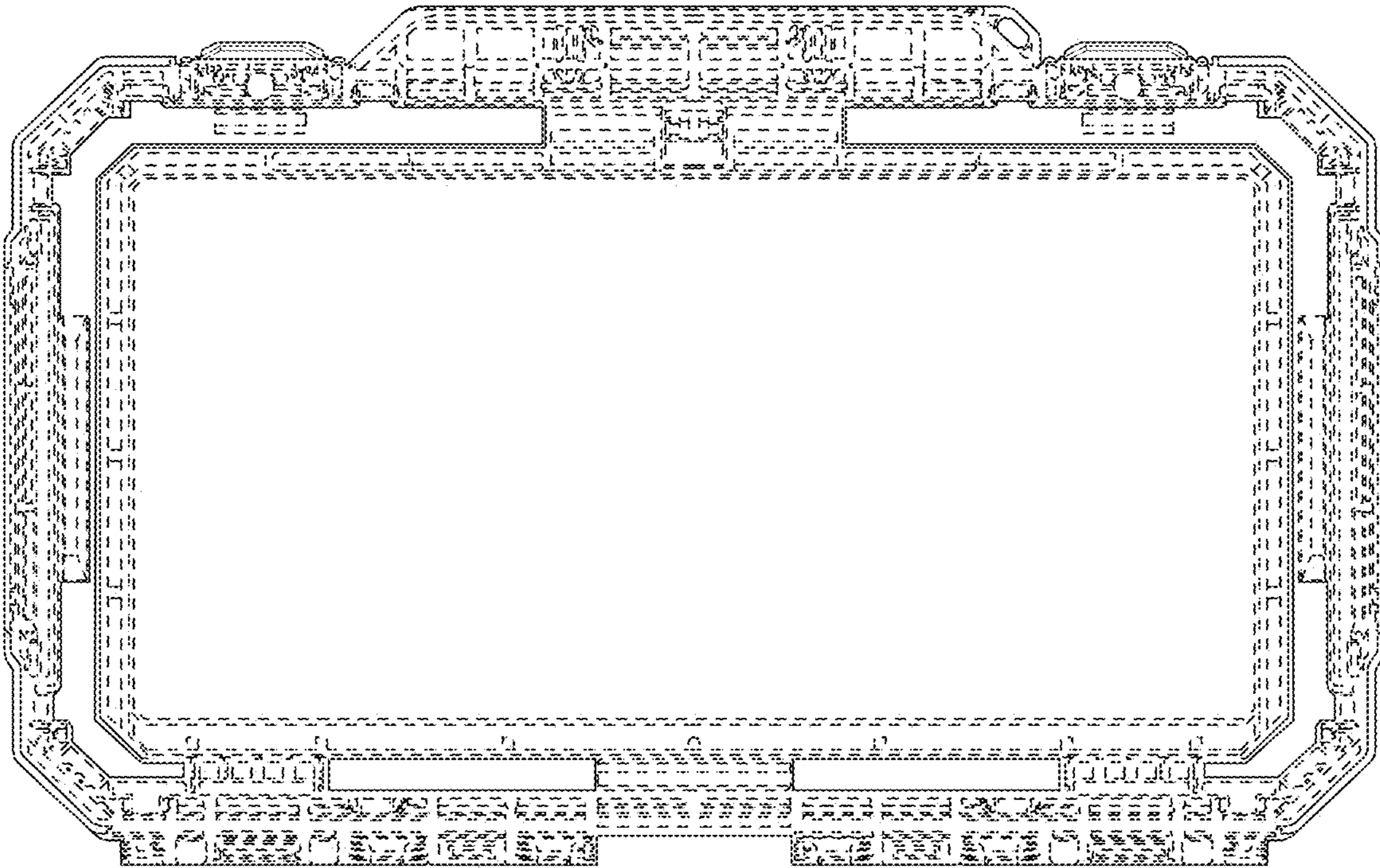


FIG. 3

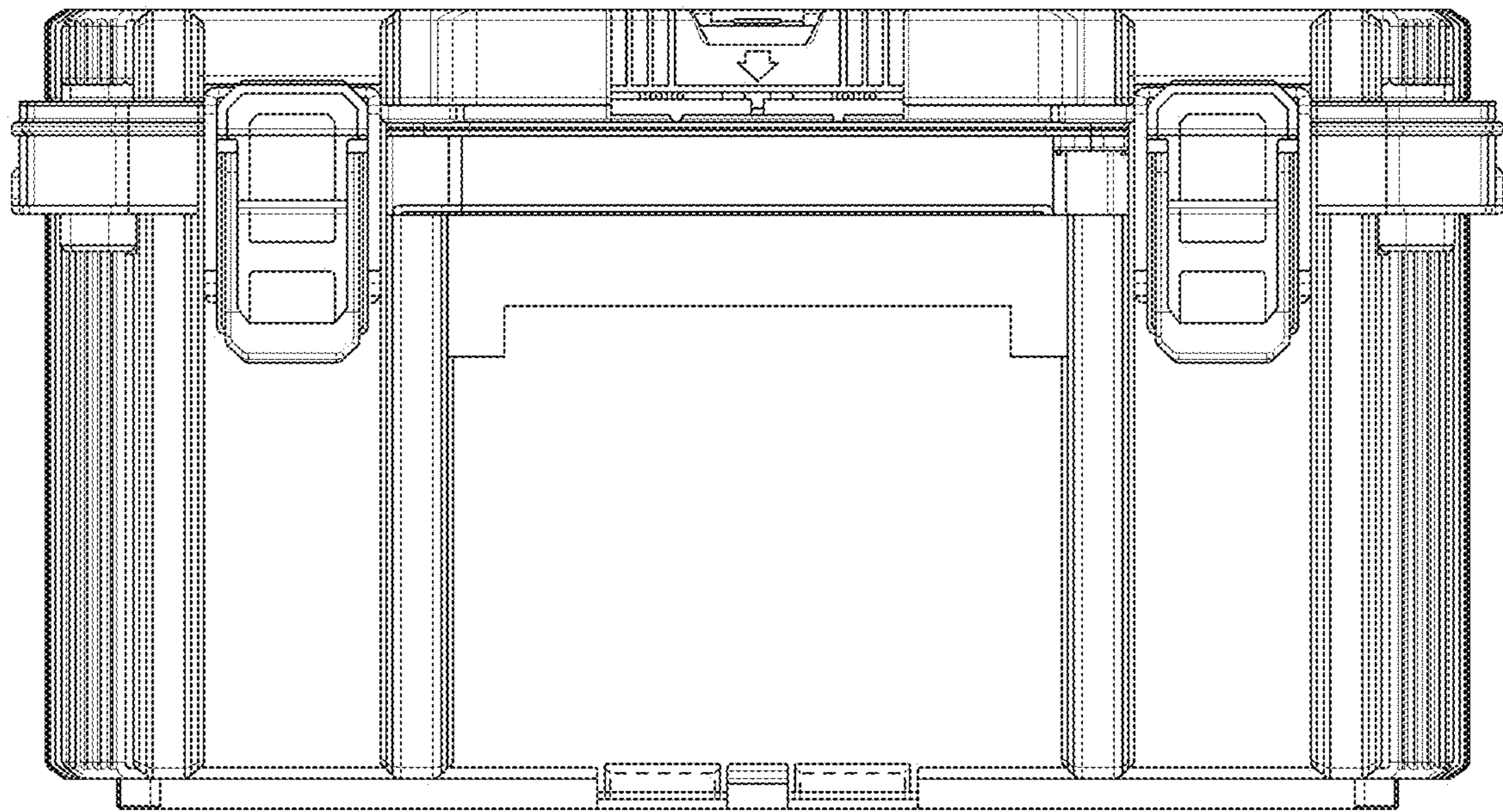


FIG. 4

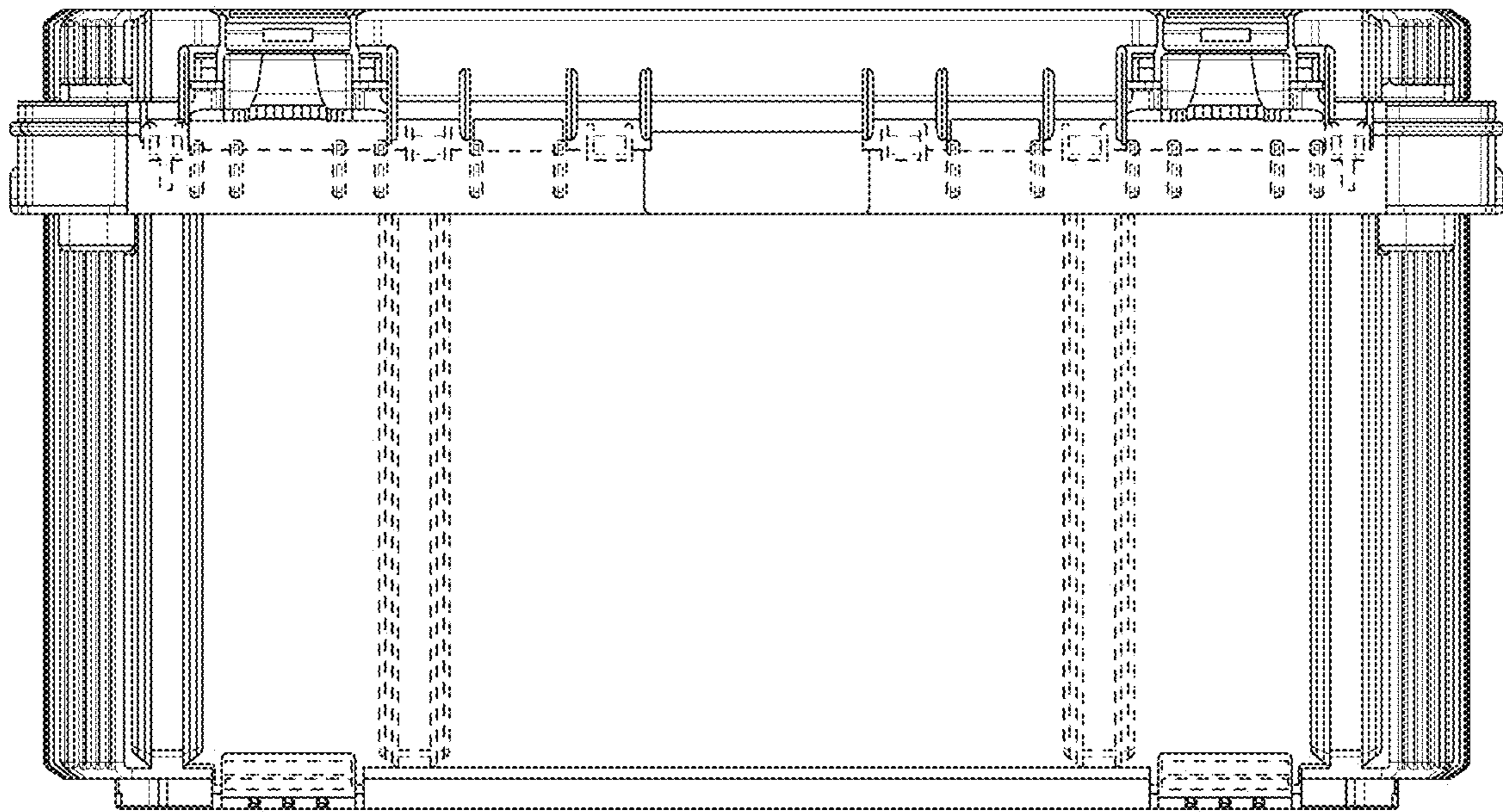


FIG. 5

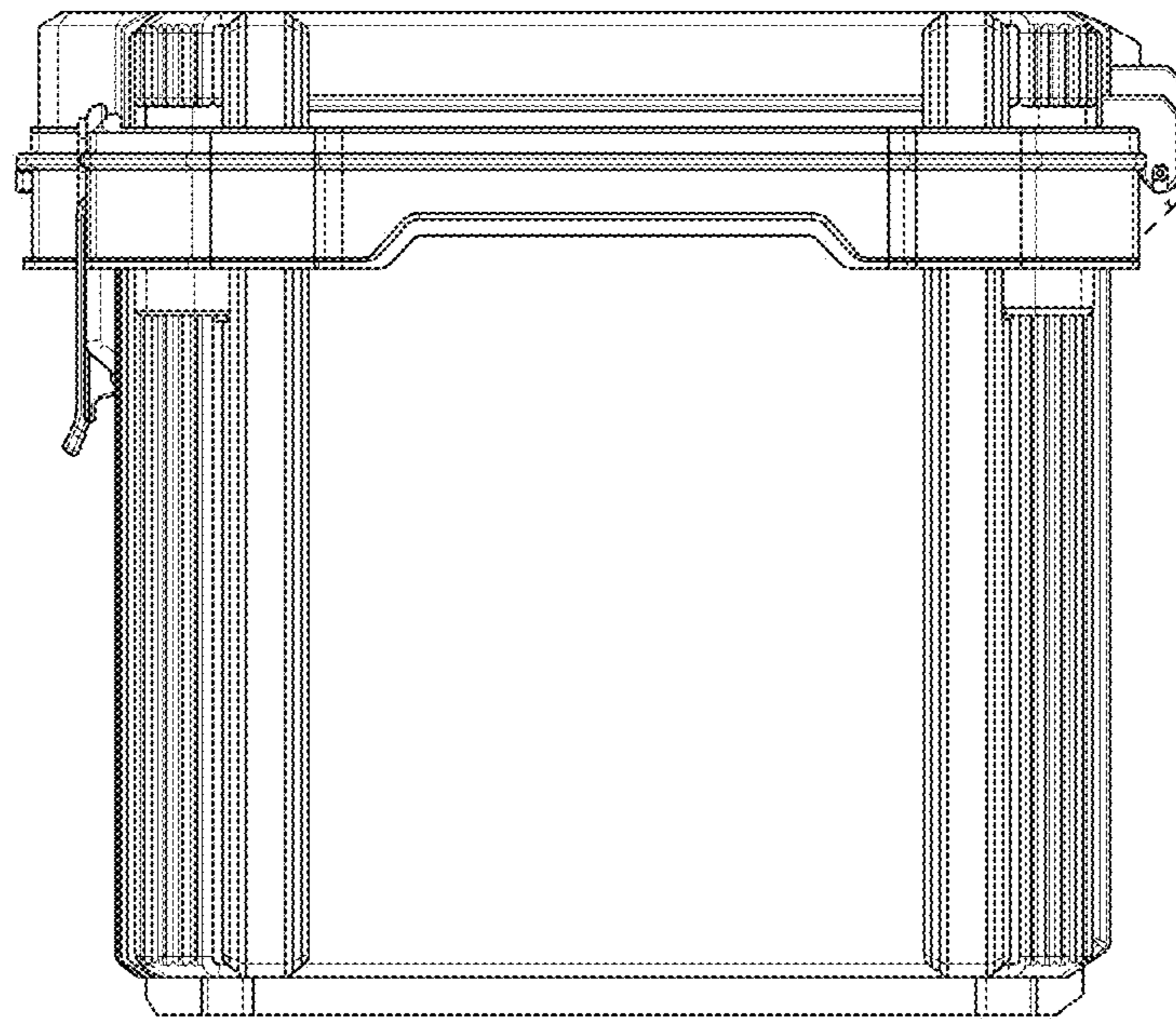


FIG. 6

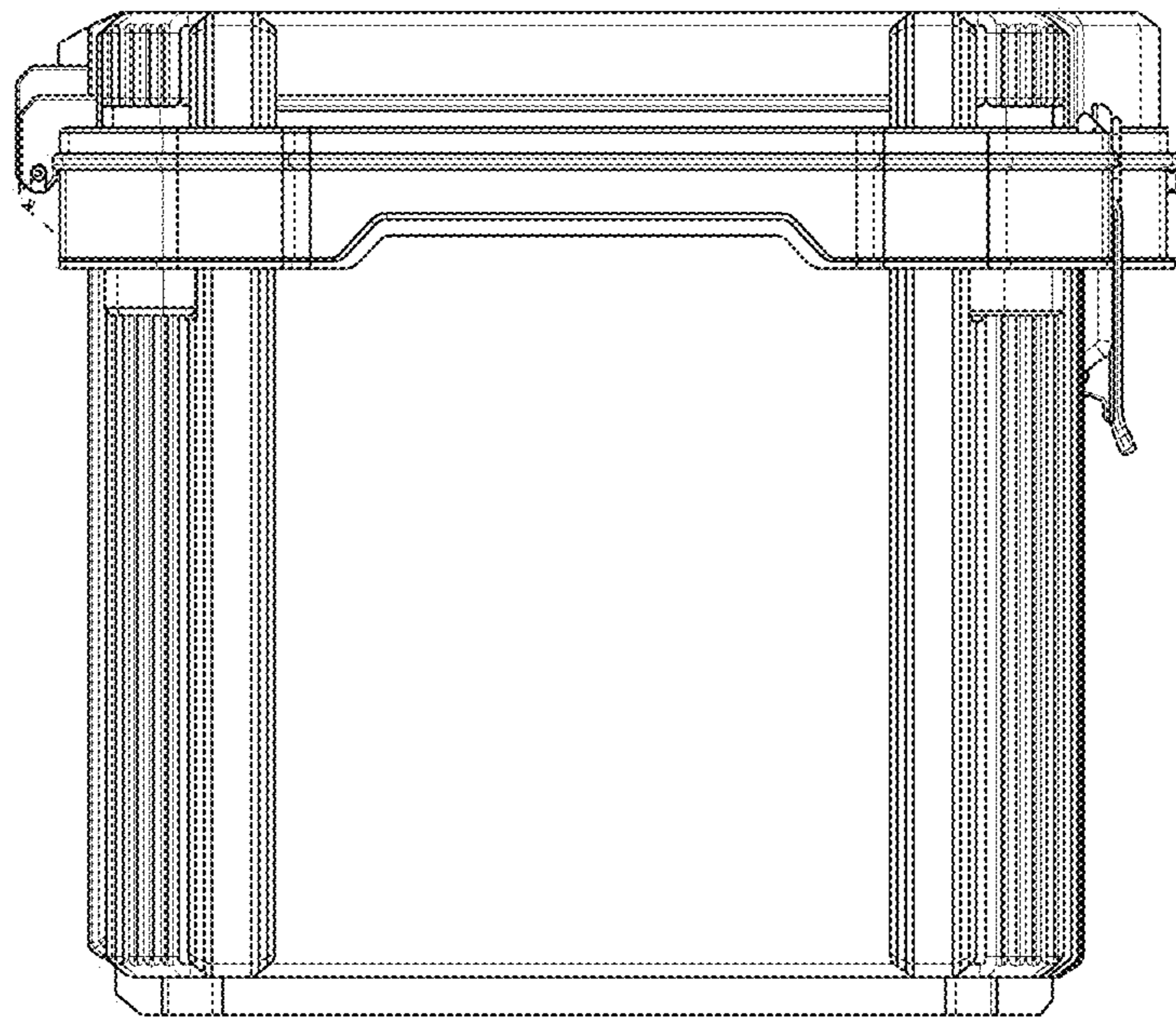


FIG. 7