



US00D964028S

(12) **United States Design Patent**
Liao et al.

(10) **Patent No.:** **US D964,028 S**

(45) **Date of Patent:** **** Sep. 20, 2022**

(54) **TOOL BOX**

(71) Applicant: **KTL INTERNATIONAL CO., LTD.**,
Taichung (TW)

(72) Inventors: **Ying-Chieh Liao**, Taichung (TW);
Yu-Kuo Liao, Taichung (TW)

(73) Assignee: **KTL INTERNATIONAL CO., LTD.**,
Taichung (TW)

(**) Term: **15 Years**

(21) Appl. No.: **29/805,931**

(22) Filed: **Aug. 31, 2021**

(51) **LOC (13) Cl.** **03-01**

(52) **U.S. Cl.**
USPC **D3/273; D3/281; D3/302; D3/905**

(58) **Field of Classification Search**
USPC D3/905, 273, 276, 280, 282, 284, 294,
D3/298, 302, 304
CPC B25H 3/00; B25H 3/003; B25H 3/006;
B25H 3/02; B25H 3/06
See application file for complete search history.

(56) **References Cited**

U.S. PATENT DOCUMENTS

D701,697 S * 4/2014 Sabbag D3/281
D738,105 S * 9/2015 Shitrit D3/276

D738,106 S * 9/2015 Shitrit D3/276
D750,890 S * 3/2016 Quehl D3/281
D758,806 S * 6/2016 Morales D7/629
9,393,685 B2 * 7/2016 Chen B25H 3/02
D798,054 S * 9/2017 Shpitzer D3/283
D857,388 S * 8/2019 Shpitzer D3/281
D918,580 S * 5/2021 Kogel D3/276
D923,938 S * 7/2021 Austin D3/315

* cited by examiner

Primary Examiner — April Rivas

(74) *Attorney, Agent, or Firm* — Muncy, Geissler, Olds & Lowe, P.C.

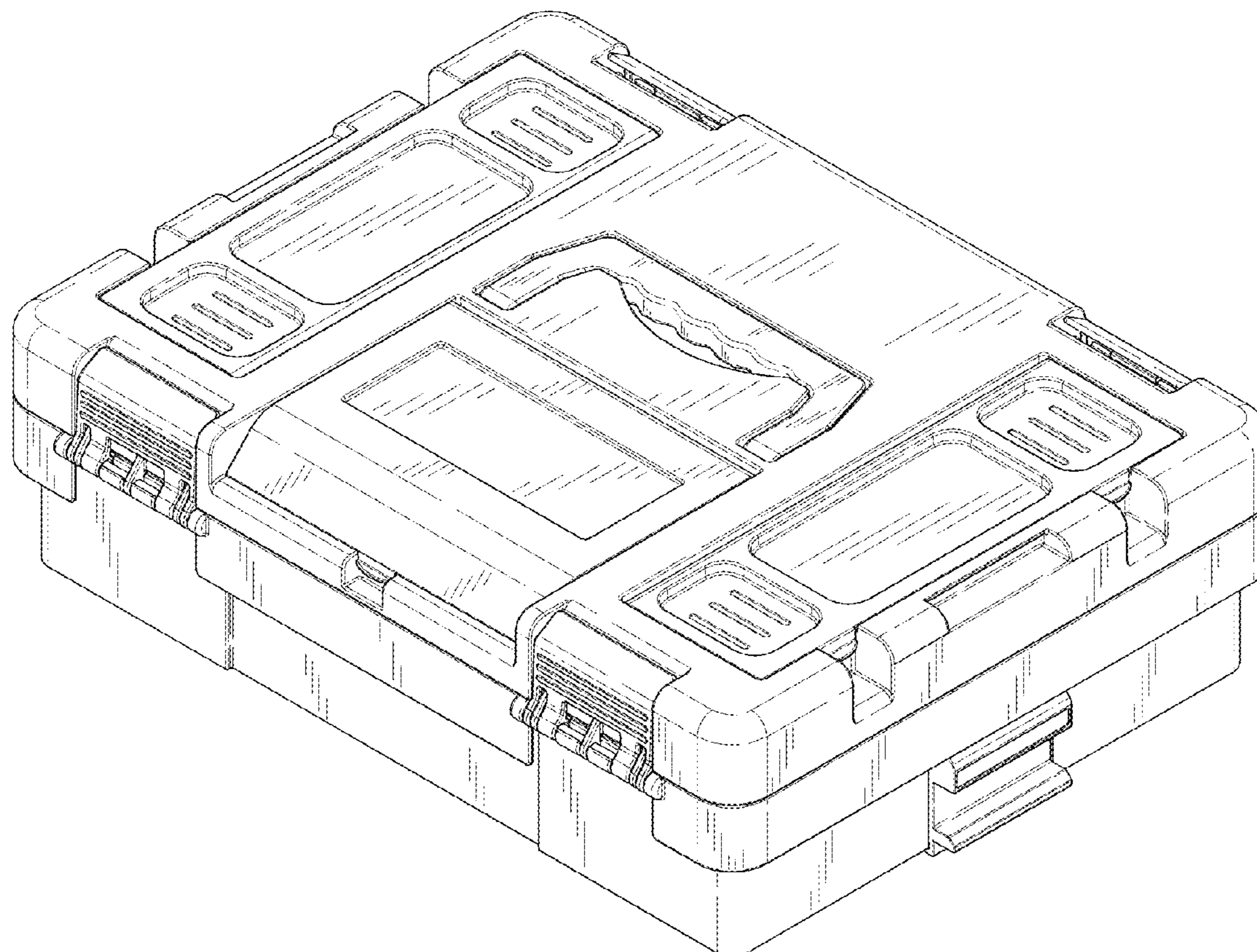
(57) **CLAIM**

We claim the ornamental design for a tool box, as shown and described.

DESCRIPTION

FIG. 1 is a top, front, right perspective view of a tool box showing our new design;
FIG. 2 is a front elevational view thereof;
FIG. 3 is a rear elevational view thereof;
FIG. 4 is a left side view thereof;
FIG. 5 is a right side view thereof;
FIG. 6 is a top plan view thereof; and,
FIG. 7 is a bottom plan view thereof.
The broken lines illustrate portions of the tool box and form no part of the claimed design.

1 Claim, 5 Drawing Sheets



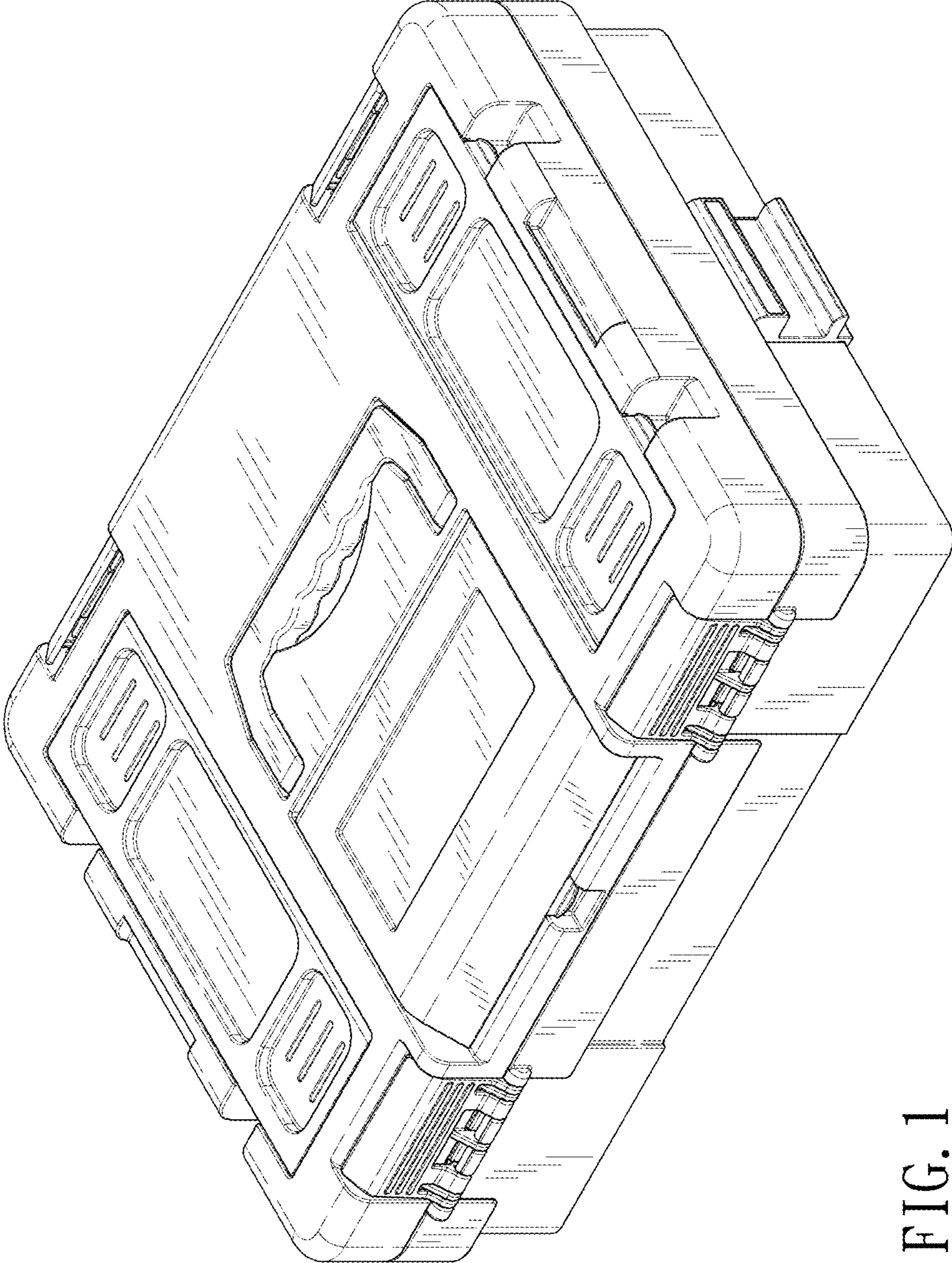


FIG. 1

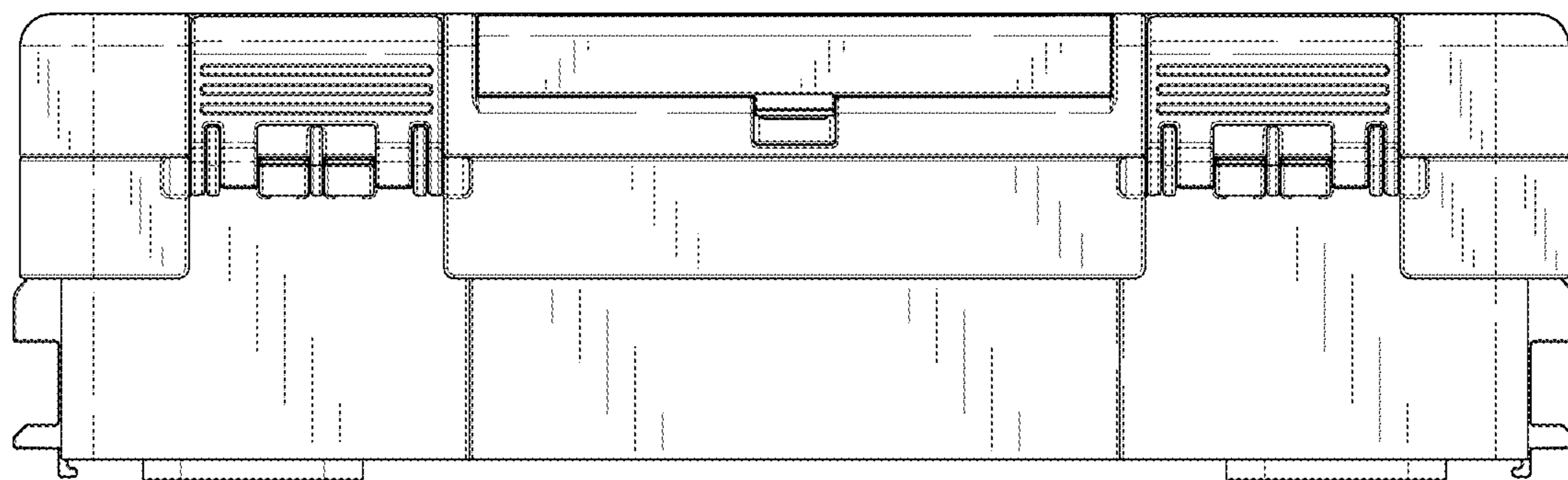


FIG. 2

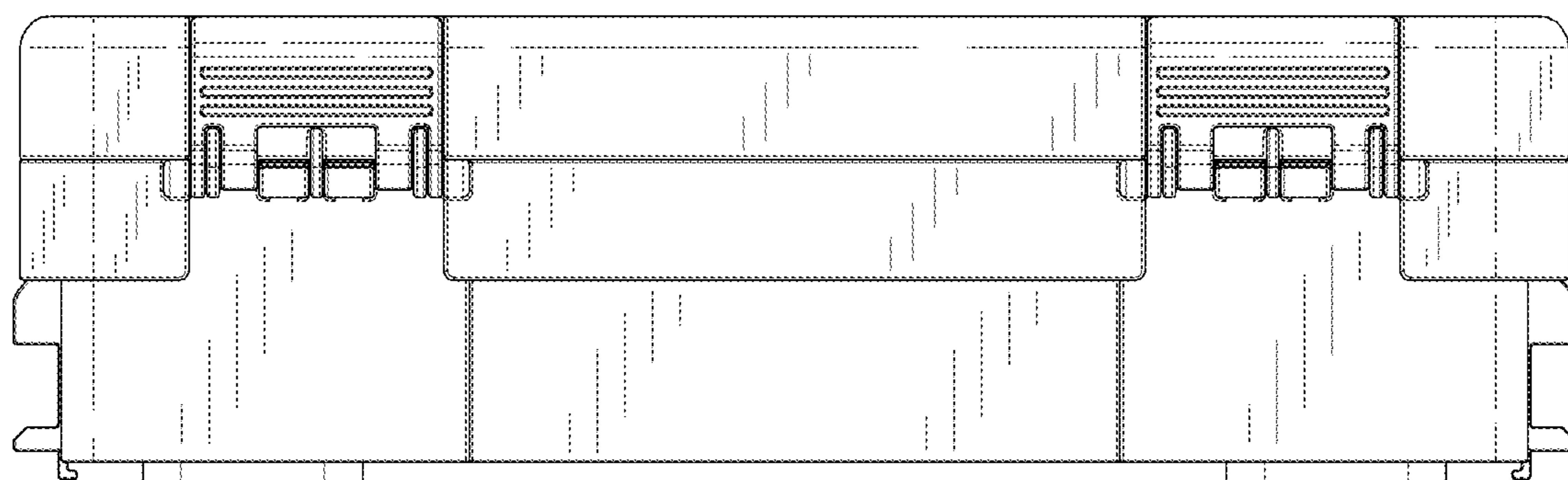


FIG. 3

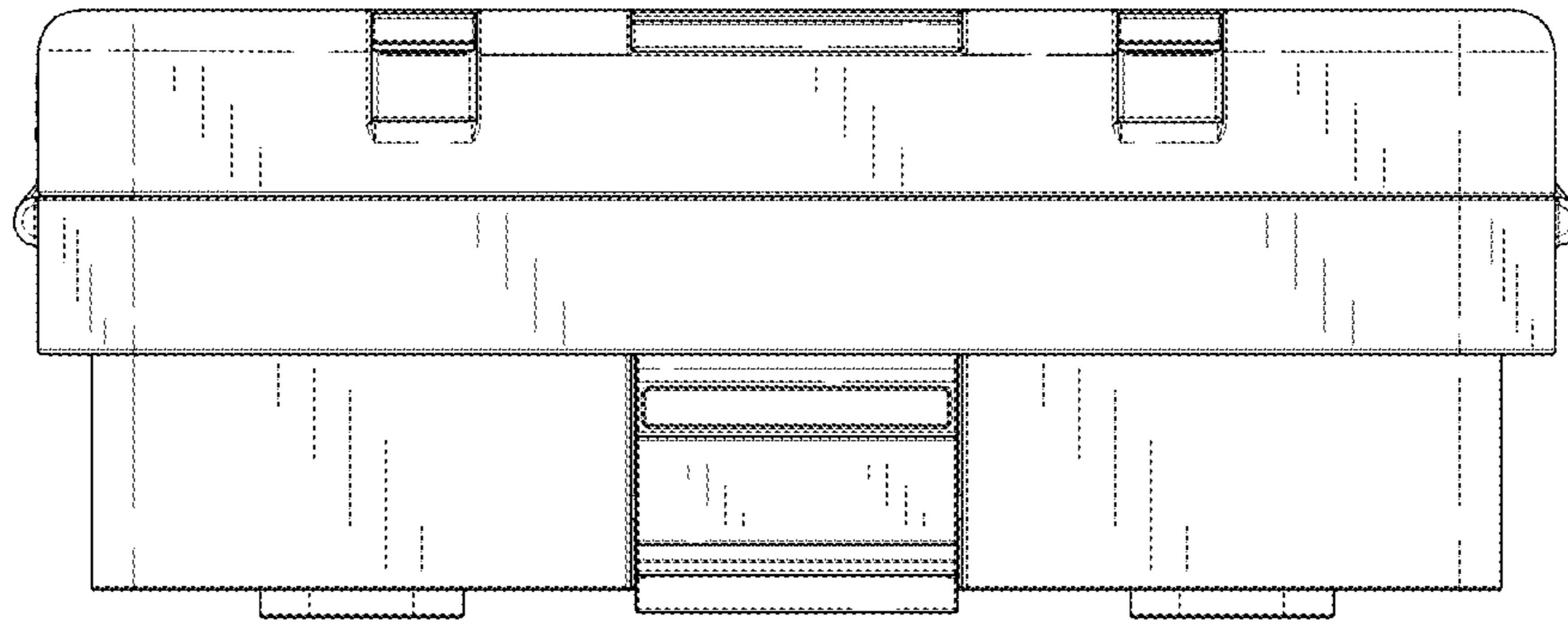


FIG. 4

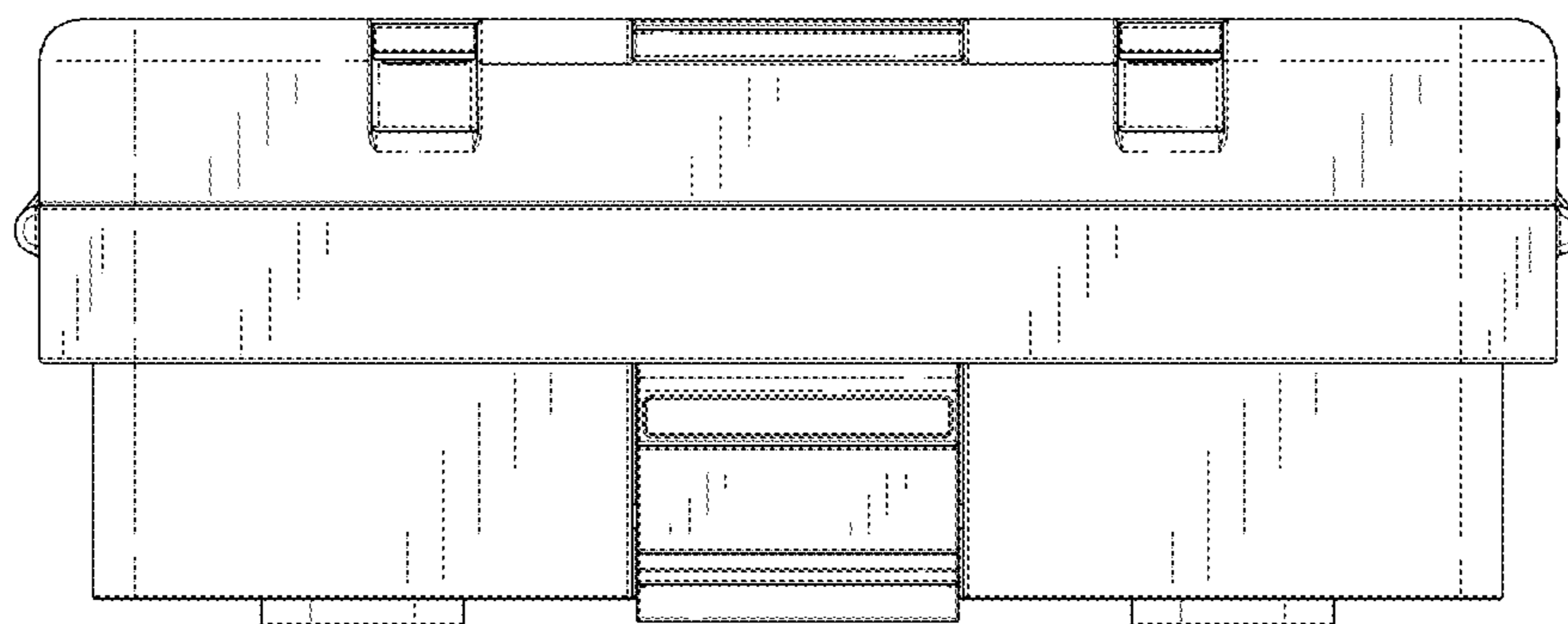


FIG. 5

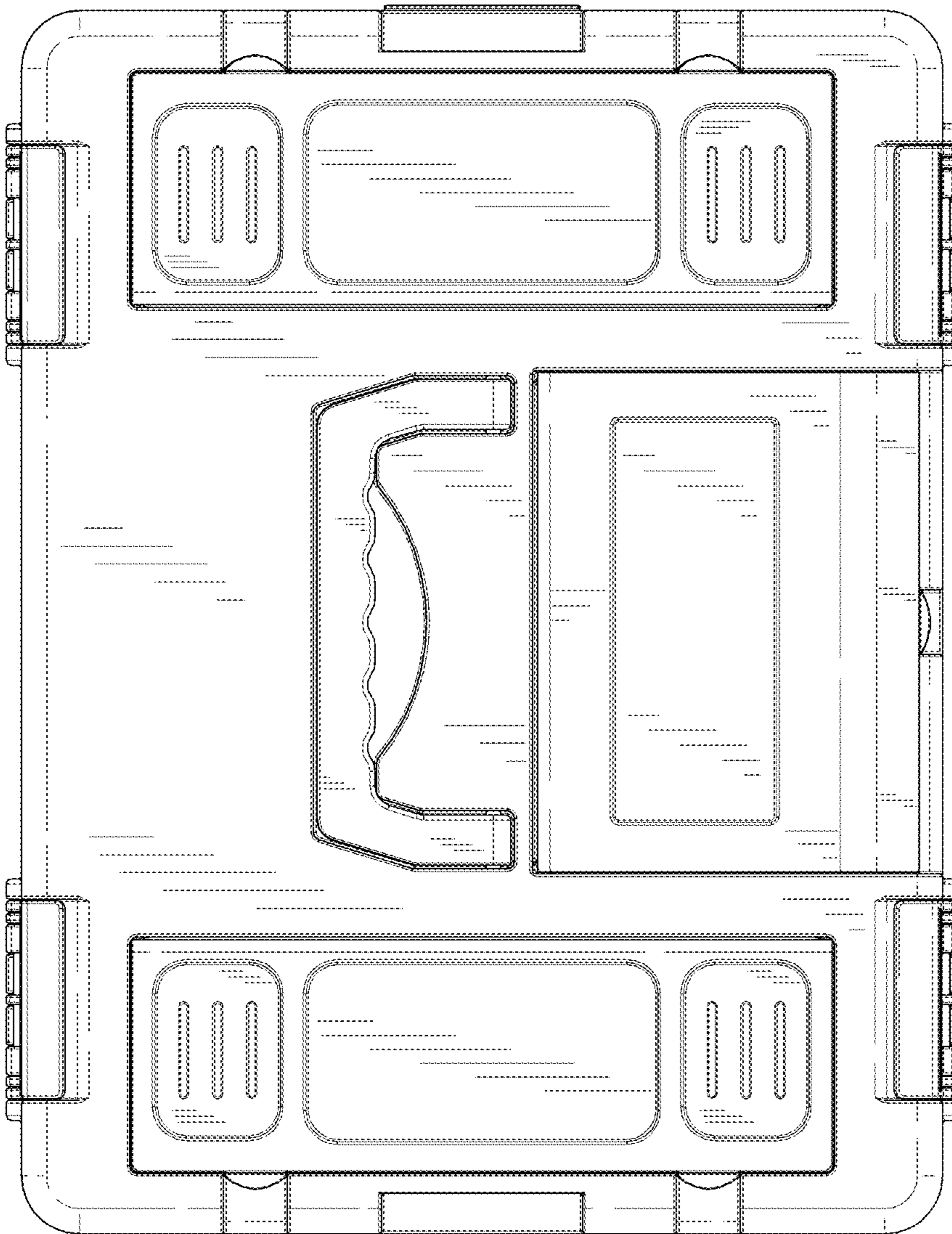


FIG. 6

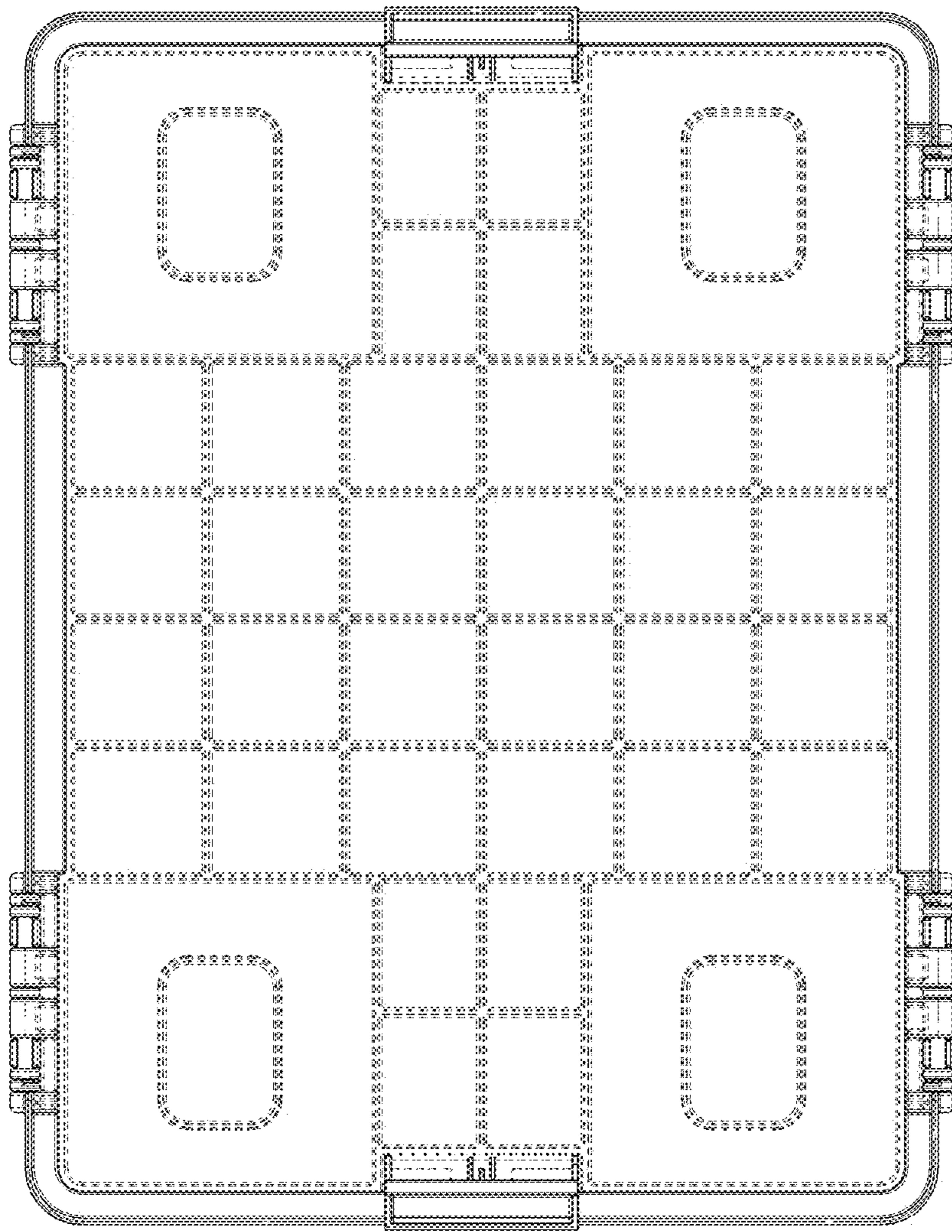


FIG. 7