



US00D964027S

(12) **United States Design Patent** (10) **Patent No.:** **US D964,027 S**
Adin et al. (45) **Date of Patent:** **** Sep. 20, 2022**

(54) **ORGANIZER**

(71) Applicant: **The Stanley Works Israel Ltd.**, Rosh Ha' Ayin (IL)

(72) Inventors: **Lev Adin**, Rehovot (IL); **Noam Twig**, Petach Tikva (IL); **Sharon' Bar-Erez**, Gan Yehoshia (IL)

(73) Assignee: **The Stanley Works Israel Ltd.**, Rosh Ha' Ayin (IL)

(**) Term: **15 Years**

(21) Appl. No.: **29/740,046**

(22) Filed: **Jun. 30, 2020**

(30) **Foreign Application Priority Data**

Jan. 9, 2020 (EM) 007493853-0001

(51) **LOC (13) Cl.** **03-01**

(52) **U.S. Cl.**
USPC **D3/273; D3/276**

(58) **Field of Classification Search**
USPC D3/272, 273, 274, 275, 276, 279, 281, D3/282, 283, 284, 285, 289, 294, 301, D3/318, 319, 321, 900, 901, 902, 903, D3/904, 905, 328, 204, 322; D8/323, D8/324, 325, 326, 327, 328, 329, 383, D8/403

CPC A45C 5/00; A45C 5/14; A45C 5/03; A45C 13/03

See application file for complete search history.

(56) **References Cited**

U.S. PATENT DOCUMENTS

D221,268 S * 7/1971 Heaton D3/295
D328,527 S * 8/1992 Marcus D3/274
D438,004 S * 2/2001 Watson D3/273
D482,529 S * 11/2003 Hardigg D3/276

D779,822 S * 2/2017 Grenier D3/279
D795,579 S * 8/2017 Sarfati D3/294
D816,334 S * 5/2018 Brunner D3/273
D847,505 S * 5/2019 Tonelli D3/279
D854,826 S * 7/2019 Tonelli D3/279

(Continued)

FOREIGN PATENT DOCUMENTS

CN 303982401 * 12/2016
CN 304411435 * 12/2017

(Continued)

OTHER PUBLICATIONS

Amazon.ca, Site visited Dec. 29, 2021, Pelican Storm IM3220-00001 Case, First available Feb. 13, 2012, <https://www.amazon.ca/Pelican-Storm-IM3220-00001-Case-Black/dp/B0018PA2Q8> (Year: 2012).*

(Continued)

Primary Examiner — Brett Miller
Assistant Examiner — Jessica M Gebhart
(74) *Attorney, Agent, or Firm* — Bruce S. Shapiro

(57) **CLAIM**

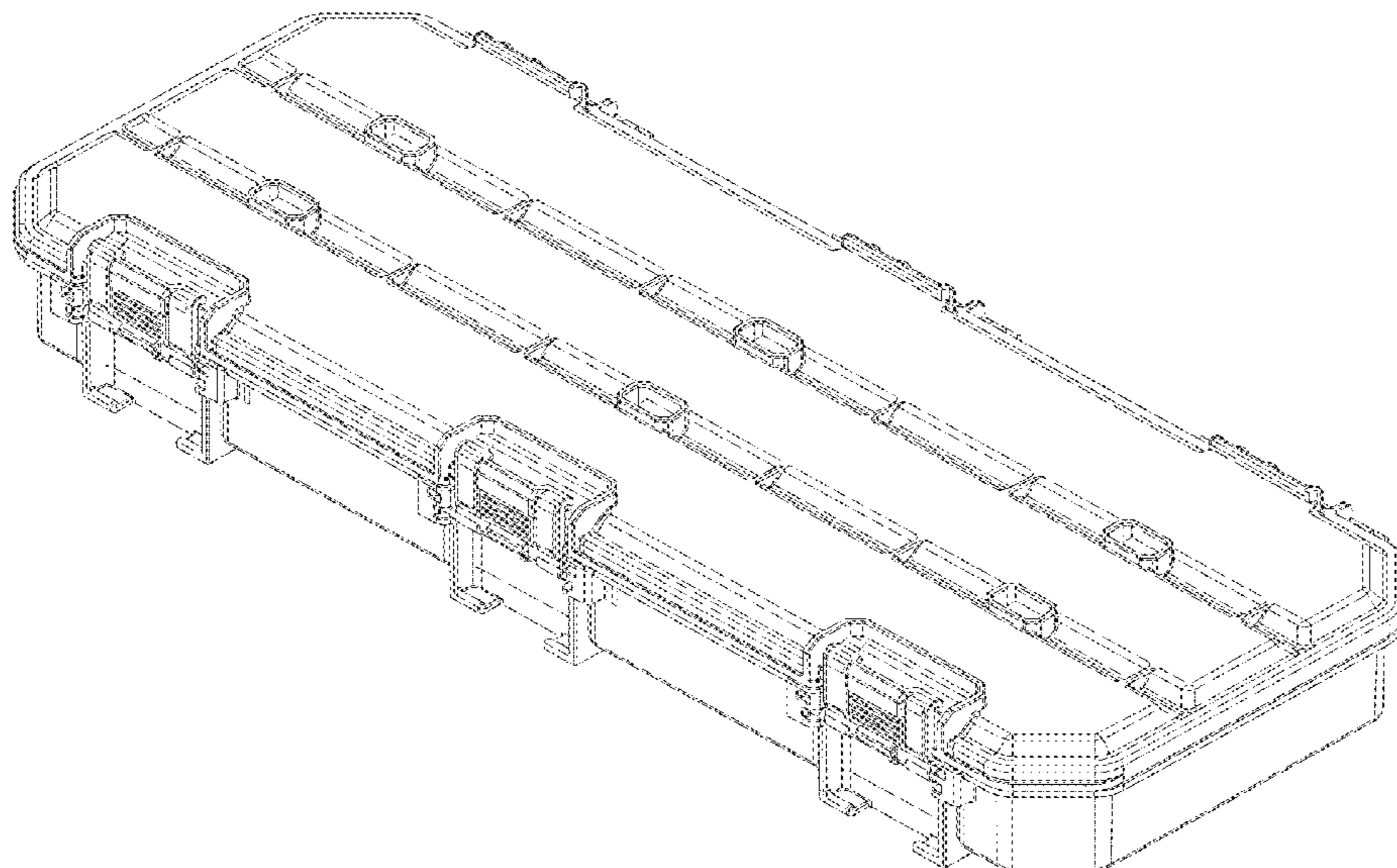
The ornamental design for an organizer, as shown and described.

DESCRIPTION

FIG. 1 is a perspective view of the front side of an organizer; FIG. 2 is a top view thereof; FIG. 3 is a bottom view thereof; FIG. 4 is a right side view thereof; FIG. 5 is a left side view thereof; FIG. 6 is a front view thereof; and, FIG. 7 is a rear view thereof.

The broken lines illustrate portions of the organizer and form no part of the claimed design.

1 Claim, 7 Drawing Sheets



(56)

References Cited

U.S. PATENT DOCUMENTS

D861,340 S * 10/2019 Deng D3/262
D873,007 S * 1/2020 Tonelli D3/279

FOREIGN PATENT DOCUMENTS

CN 305252668 * 7/2019
CN 305863732 * 6/2020

OTHER PUBLICATIONS

Amazon.ca, Site visited Jan. 3, 2022, Nanuk 990 Waterproof Professional Hard Case for Rifle, First available Aug. 4, 2015, <https://www.amazon.ca/Nanuk-Waterproof-Professional-Rifle-Empty/dp/B00YOBASAAS> (Year: 2015).*

Amazon.com, Site visited Jan. 3, 2022, Eylar Tactical Rifle Hard Case, First available Jan. 24, 2019, <https://www.amazon.com/dp/B081DBMHK4> (Year: 2019).*

Amazon.com, Site visited Jan. 3, 2022, Meijia Portable All Weather Rolling Hard Rifle Case with Wheels, First available Jun. 4, 2019, <https://www.amazon.com/Portable-Rolling-Weather-Inserted-48-42x16-14x6-29inches/dp/B07SM7TTJH> (Year: 2019).*

* cited by examiner

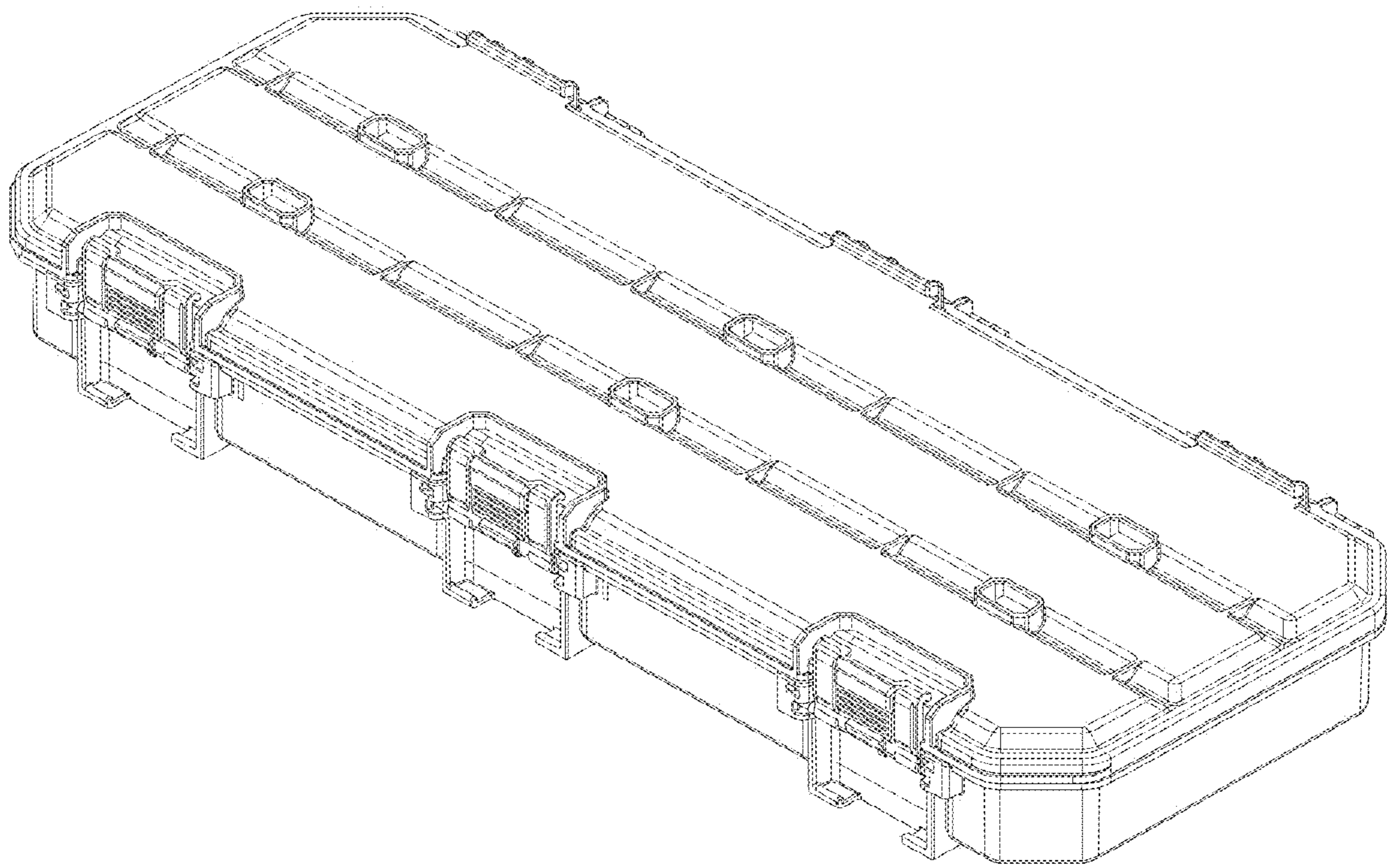


FIG. 1

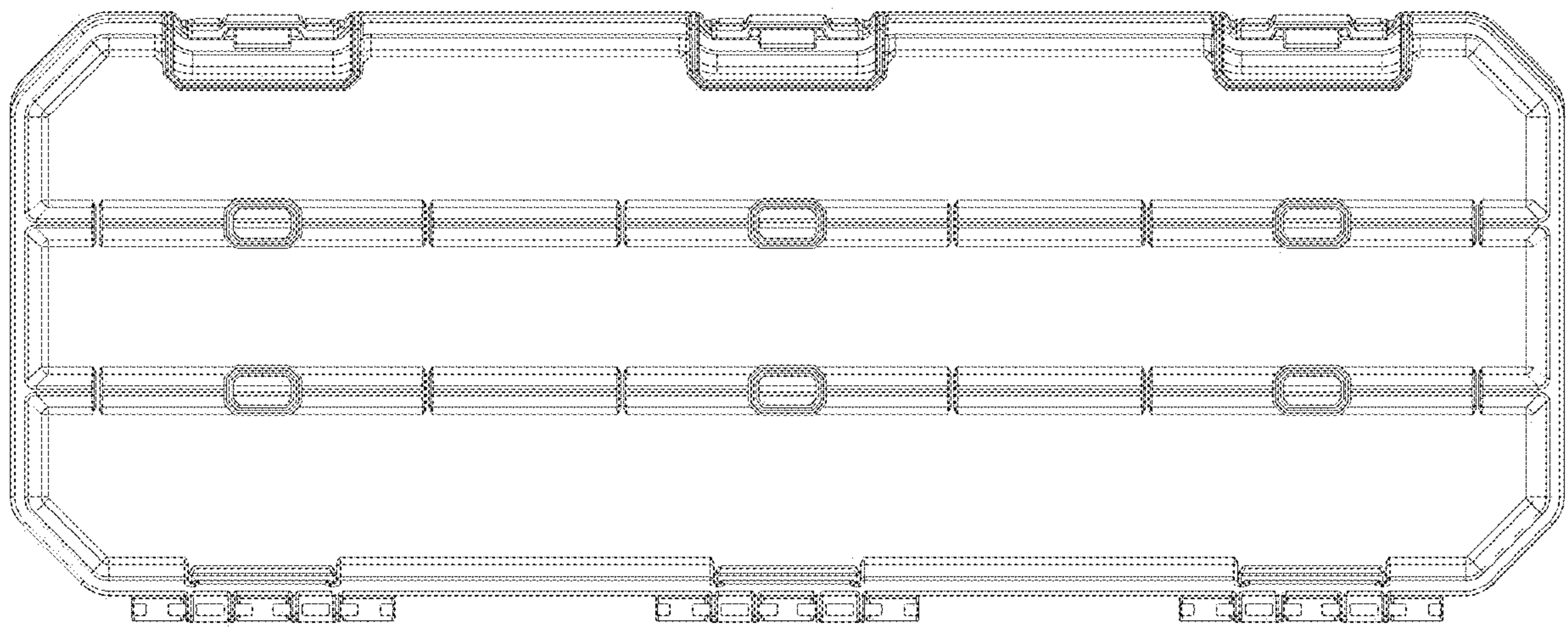


FIG. 2

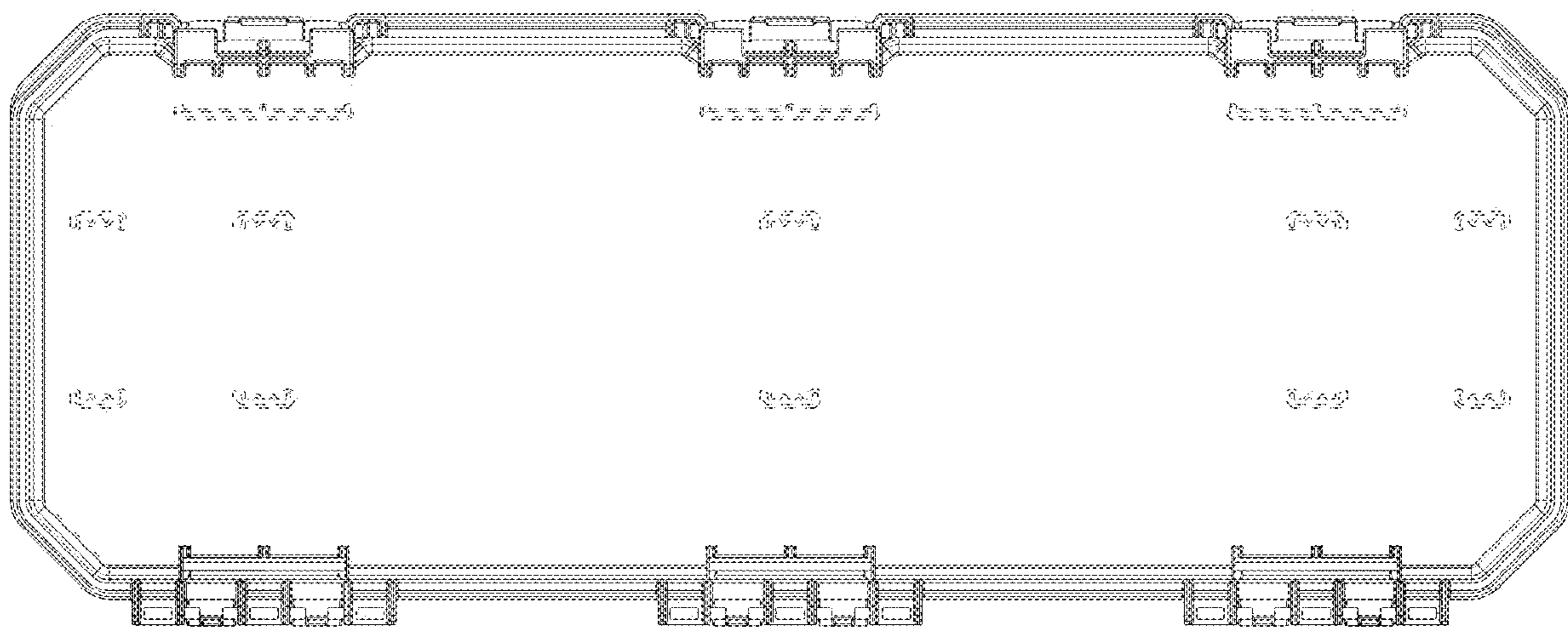


FIG. 3

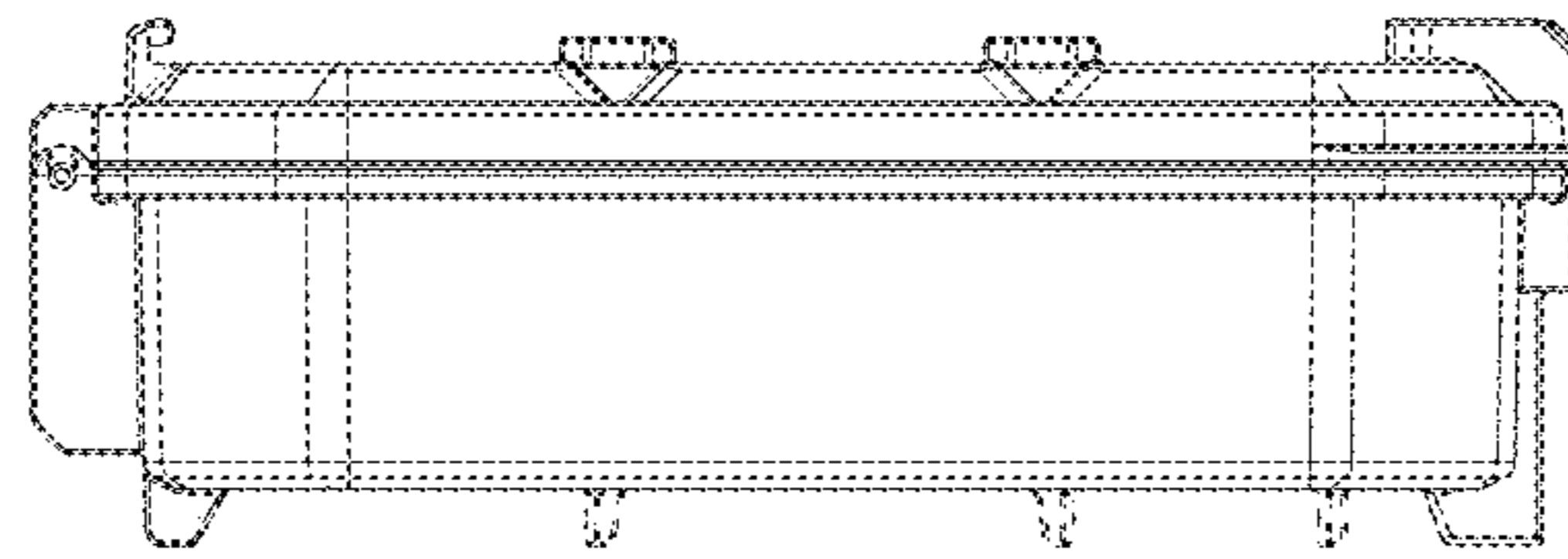


FIG. 4

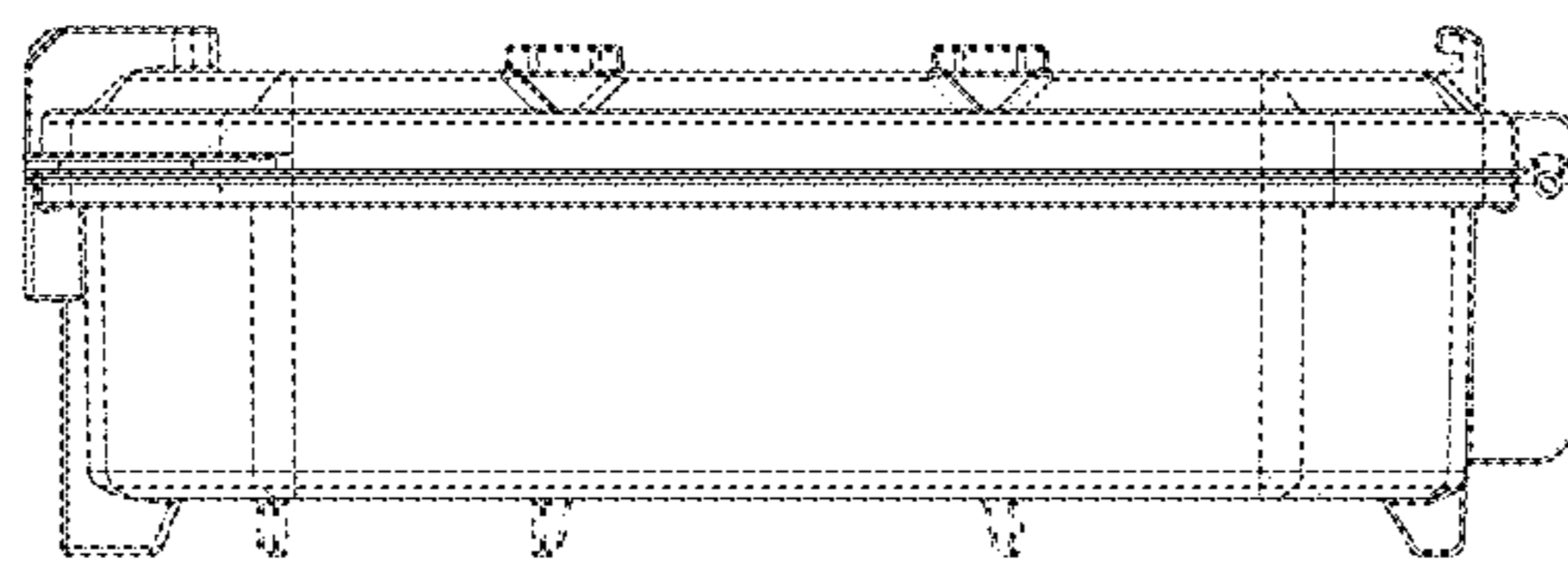


FIG. 5

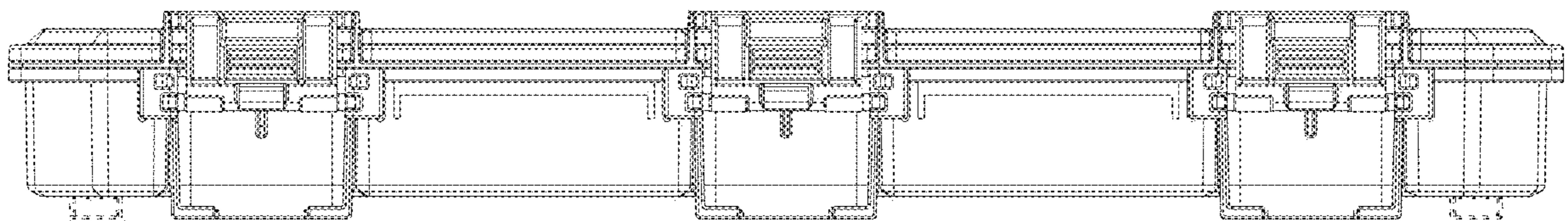


FIG. 6

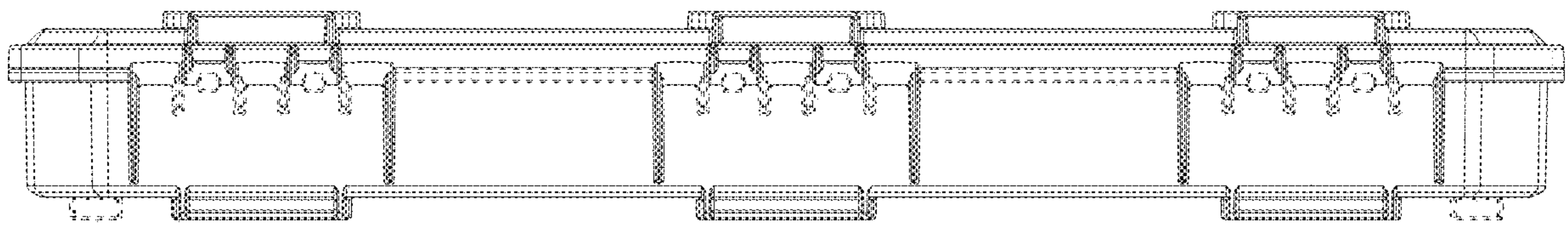


FIG. 7