



US00D964025S

(12) **United States Design Patent** (10) **Patent No.:** **US D964,025 S**  
**Lee** (45) **Date of Patent:** **\*\* Sep. 20, 2022**

(54) **HANDBAG**  
(71) Applicant: **BOTTEGA VENETA SA**, Switzerland  
(CH)  
(72) Inventor: **Daniel Harry Lee**, Milan (IT)  
(73) Assignee: **LUXURY GOODS INTERNATIONAL (L.G.I.) SA**,  
Cadempino (CH)

D570,104 S \* 6/2008 Maier ..... D3/232  
D602,253 S \* 10/2009 Rees ..... D3/289  
D611,706 S \* 3/2010 Angles ..... D3/243  
D629,604 S \* 12/2010 Hermann ..... D3/232  
D630,013 S \* 1/2011 Yu ..... D3/232

(Continued)

**FOREIGN PATENT DOCUMENTS**

TR M-103165 \* 9/2018

**OTHER PUBLICATIONS**

“Maxi Cabat”, first available Feb. 26, 2019, esquiresg.com, site visited Jun. 15, 2021: <https://www.esquiresg.com/galleries/opportunity-cost-bottega-venetas-maxi-cabat-and-other-ways-to-spend-sgd13630/> (Year: 2019).\*

(Continued)

*Primary Examiner* — Jennifer L Watkins  
*Assistant Examiner* — Samantha Lynne Brodowski  
(74) *Attorney, Agent, or Firm* — Fross, Zelnick, Lehrman & Zissu PC; Charles T. J. Weigell, Esq.

(\*\*) Term: **15 Years**  
(21) Appl. No.: **29/734,550**  
(22) Filed: **May 13, 2020**

**Related U.S. Application Data**

(62) Division of application No. 29/683,750, filed on Mar. 15, 2019, now Pat. No. Des. 897,096.

(30) **Foreign Application Priority Data**

Sep. 21, 2018 (WO) ..... DM/103165

(51) **LOC (13) Cl.** ..... **03-01**

(52) **U.S. Cl.**  
USPC ..... **D3/246**

(58) **Field of Classification Search**  
USPC ..... D3/232–233, 239, 244–246, 277, 301,  
D3/303, 306, 323  
CPC ..... A45C 13/08; A45C 3/08; A45C 13/00;  
A45C 3/06  
See application file for complete search history.

(56) **References Cited**

**U.S. PATENT DOCUMENTS**

D218,374 S \* 8/1970 Kuroda ..... D3/303  
D430,971 S \* 9/2000 Harvey ..... D3/232  
D446,645 S \* 8/2001 Hanley ..... D3/246  
D526,485 S \* 8/2006 Harvey ..... D3/246  
D548,459 S \* 8/2007 Harvey ..... D3/246  
D559,538 S \* 1/2008 Dew ..... D3/232

(57) **CLAIM**

The ornamental design for handbag, as shown and described.

**DESCRIPTION**

FIG. 1 is a front perspective view of a handbag showing my new design;  
FIG. 2 is a front view thereof;  
FIG. 3 is a back view thereof;  
FIG. 4 is a left side view thereof;  
FIG. 5 is a right side view thereof;  
FIG. 6 is a top view thereof; and,  
FIG. 7 is a bottom view thereof.  
The broken lines illustrating the top opening of the handbag in FIG. 6 defines a boundary where the area within which forms no part of the claimed design.

**1 Claim, 7 Drawing Sheets**



(56)

References Cited

U.S. PATENT DOCUMENTS

D631,653	S	*	2/2011	Brown	.....	D3/232
D655,501	S	*	3/2012	Maier	.....	D3/245
D711,101	S	*	8/2014	Maier	.....	D3/245
D712,653	S	*	9/2014	Van Migem	.....	D3/232
D746,056	S	*	12/2015	Finell	.....	D3/245
D748,912	S	*	2/2016	Frisoni	.....	D3/232
D770,764	S	*	11/2016	de Campos	.....	D3/232
D777,432	S	*	1/2017	Duvigneau	.....	D3/306
D781,580	S	*	3/2017	Maier	.....	D3/243
D787,180	S	*	5/2017	Maier	.....	D3/243
D862,065	S	*	10/2019	Boys	.....	D3/201
D885,049	S	*	5/2020	Lee	.....	D3/246
D886,449	S	*	6/2020	Seo	.....	D3/232
D901,890	S	*	11/2020	Lee	.....	D3/246
D906,666	S	*	1/2021	Gannet	.....	D3/232
D922,766	S	*	6/2021	Lagerfeld	.....	D3/245
D939,826	S	*	1/2022	Lee	.....	D3/232
D941,575	S	*	1/2022	Lee	.....	D3/239
2014/0369629	A1	*	12/2014	De La Fuente Lara	.....	B65D 33/065 383/17
2016/0257479	A1	*	9/2016	Seiders	.....	A45C 13/30
2021/0307466	A1	*	10/2021	Martin	.....	D04B 1/22

OTHER PUBLICATIONS

“Black Quilted Tote Bag”, first reviewed Dec. 24, 2017, orientaltrading.com, site visited Dec. 13, 2021: [https://www.orientaltrading.com/black-quilted-tote-bag-a2-47\\_1311.fltr](https://www.orientaltrading.com/black-quilted-tote-bag-a2-47_1311.fltr) (Year: 2017).\*

“Deal of the Day: 40 percent off K. Carroll Reversible Quilted Tote Bags”, first available Jan. 18, 2018, today.com, site visited Dec. 13, 2021: <https://www.today.com/style/deal-day-40-percent-reversible-quilted-tote-bags-t121336> (Year: 2018).\*

“Mud Pie Classic Black and White Initial Canvas Tote Bags”, first available Feb. 7, 2010, Amazon.com, site visited Dec. 13, 2021: [https://www.amazon.com/Mud-Pie-N-Initial-Canvas-Tote/dp/B00380YYMY/ref=sr\\_1\\_5?keywords=tote%2Bbag&qid=1639437222&sr=8-5&th=1](https://www.amazon.com/Mud-Pie-N-Initial-Canvas-Tote/dp/B00380YYMY/ref=sr_1_5?keywords=tote%2Bbag&qid=1639437222&sr=8-5&th=1) (Year: 2010).\*

“American Greetings Extra-Small Gift Bag, Multicolored Diamond Pattern”, first available Mar. 8, 2018, Amazon.in, site visited Dec. 13, 2021: <https://www.amazon.in/American-Greetings-Extra-Small-Multicolored-Diamond/dp/B01GF13BSU?th=1> (Year: 2018).\*

“How to Make a Purse Handle With Cording”, first commented on May 24, 2017, makebagswithbrenda.com, site visited Feb. 28, 2022: <https://makebagswithbrenda.com/how-to-make-a-purse-handle/> (Year: 2017).\*

“ClaraNY Comfortable light weight quilted market Tote water repellent Black”, first available Aug. 10, 2018, Amazon.com, site visited Feb. 28, 2022: [https://www.amazon.com/ClaraNY-Comfortable-weight-quilted-repellent/dp/B07G8L9SGS/ref=sr\\_1\\_50?keywords=Quilted+Totes&qid=1646078534&sr=8-50](https://www.amazon.com/ClaraNY-Comfortable-weight-quilted-repellent/dp/B07G8L9SGS/ref=sr_1_50?keywords=Quilted+Totes&qid=1646078534&sr=8-50) (Year: 2018).\*

“Making Corded Bag Handles”, first available Jul. 12, 2017, goldbarkleather.com, site visited Feb. 28, 2022: <https://www.goldbarkleather.com/sourceblog/making-corded-bag-handles> (Year: 2017).\*

“Pink Rosebud Modern Diamond Pattern on White Tote Bag”, first reviewed Apr. 7, 2015, redbubble.com, site visited Feb. 28, 2022: <https://www.redbubble.com/i/tote-bag/Pink-Rosebud-Modern-Diamond-Pattern-on-White-by-podartist/39169960.A9G4R> (Year: 2015).\*

\* cited by examiner

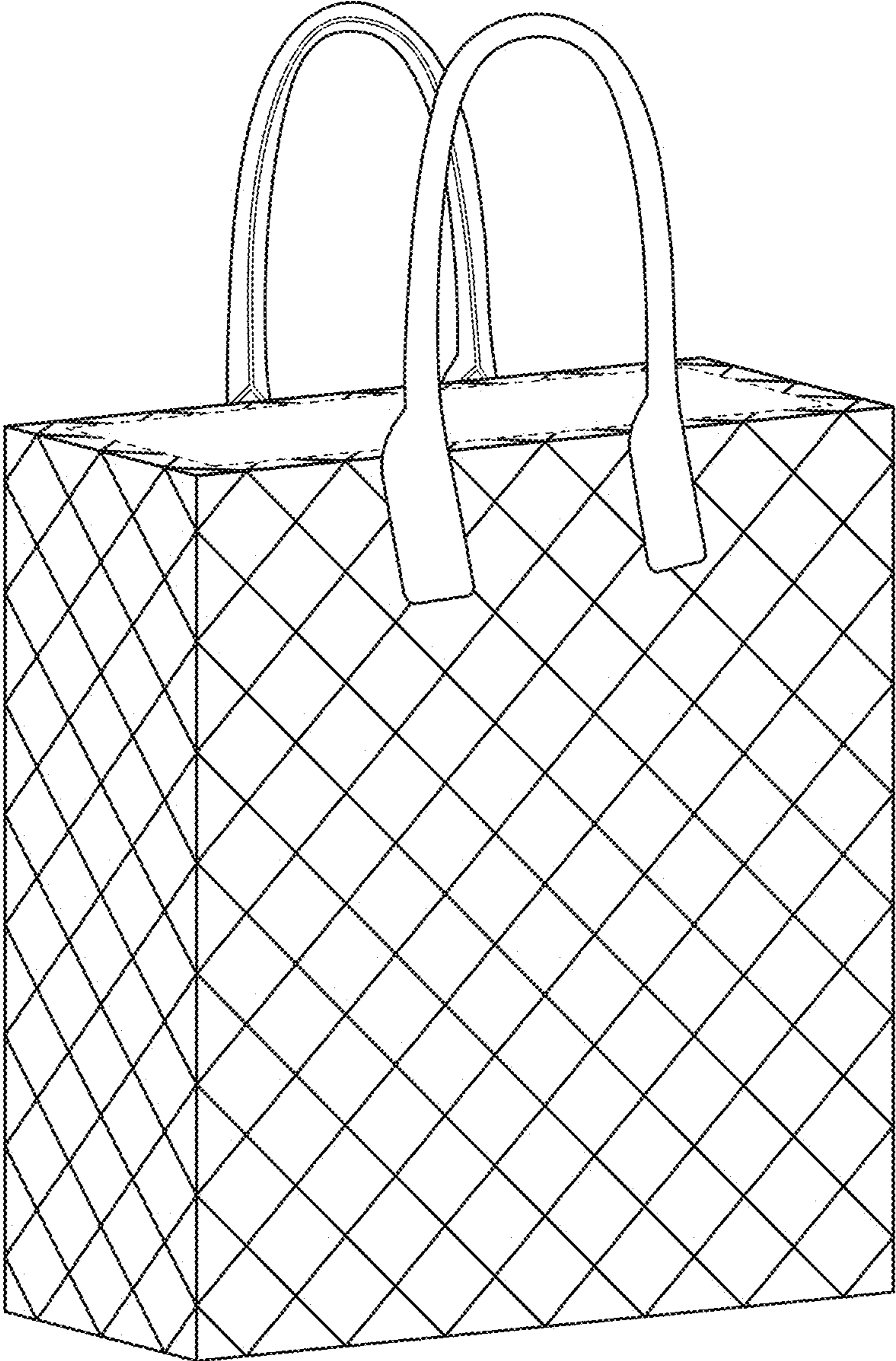


FIG. 1

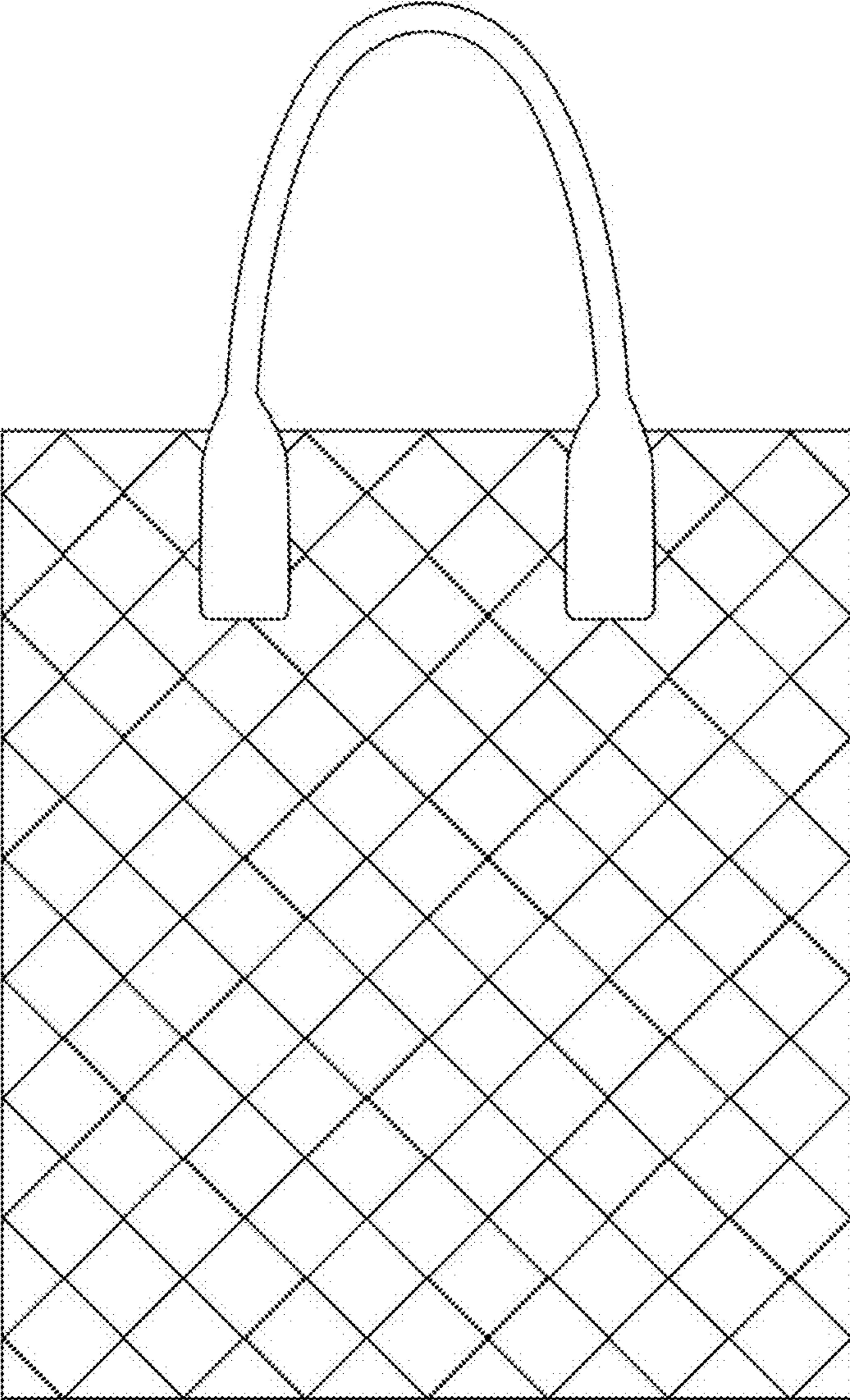


FIG. 2

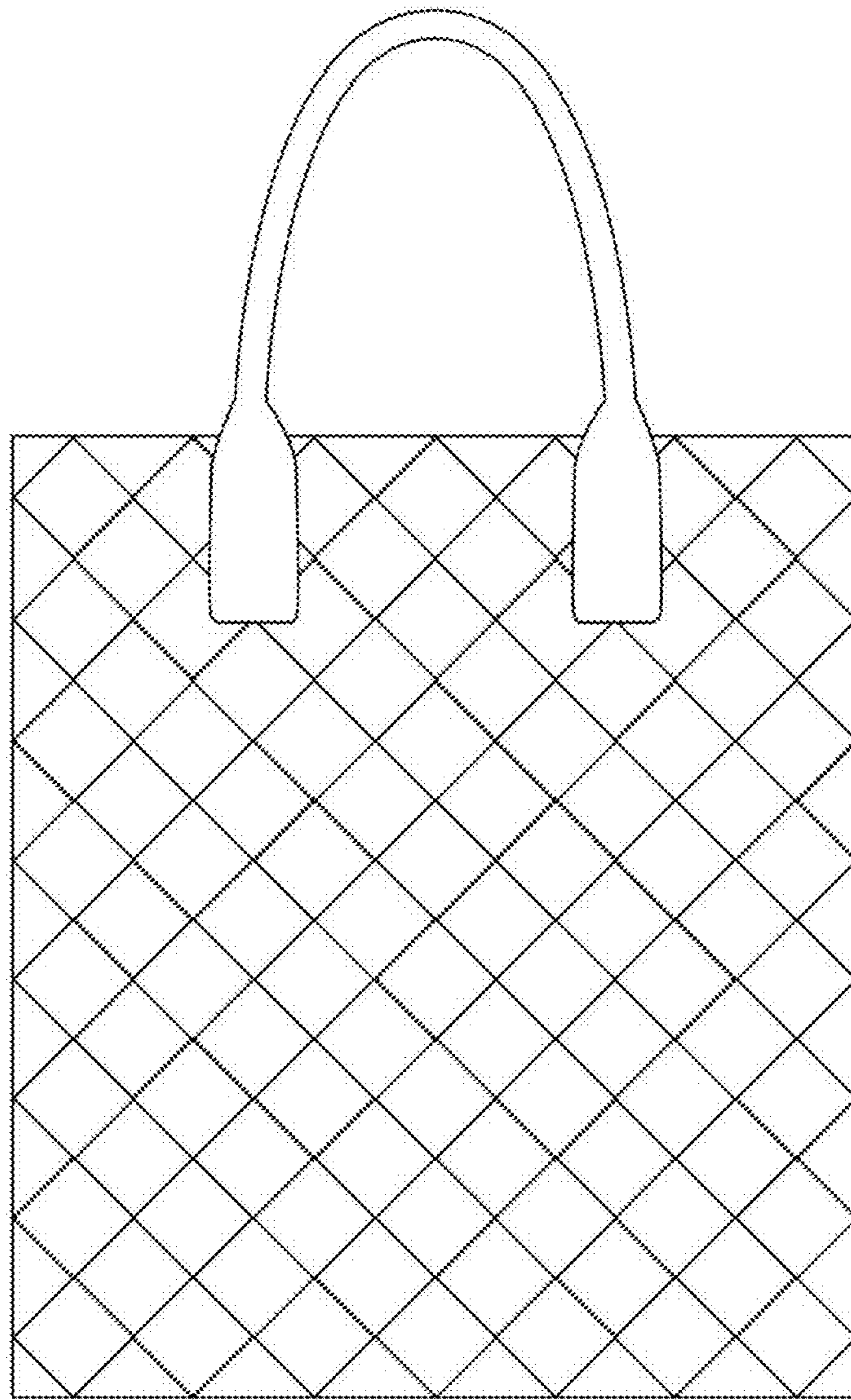


FIG. 3

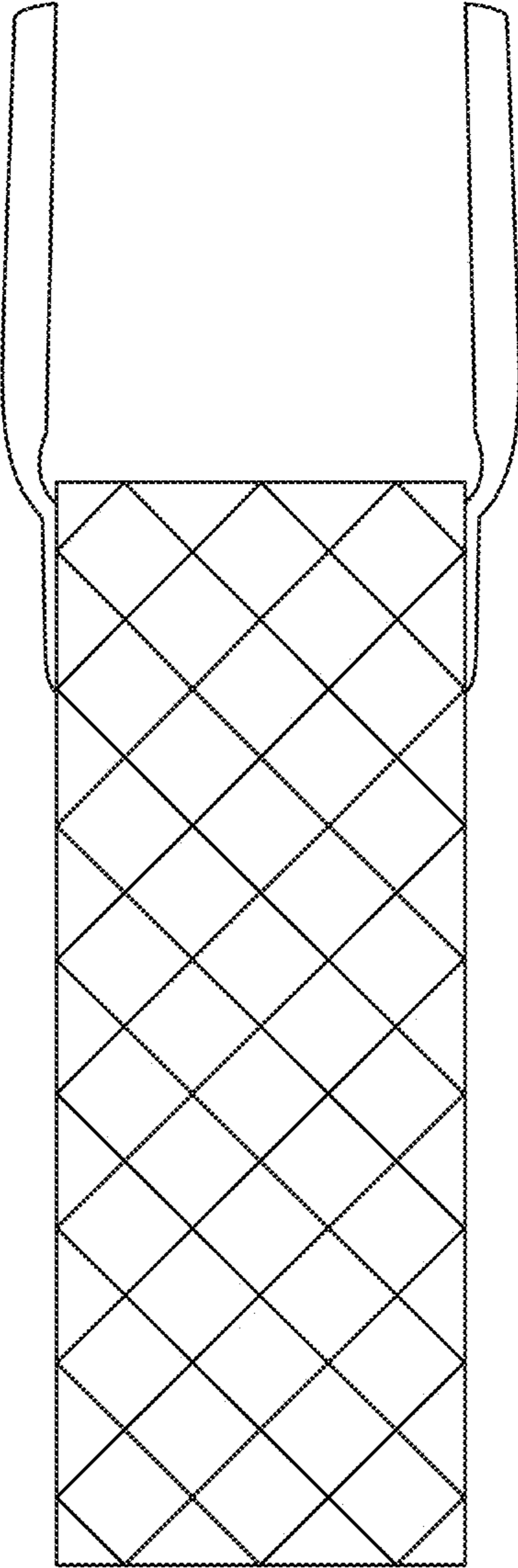


FIG. 4

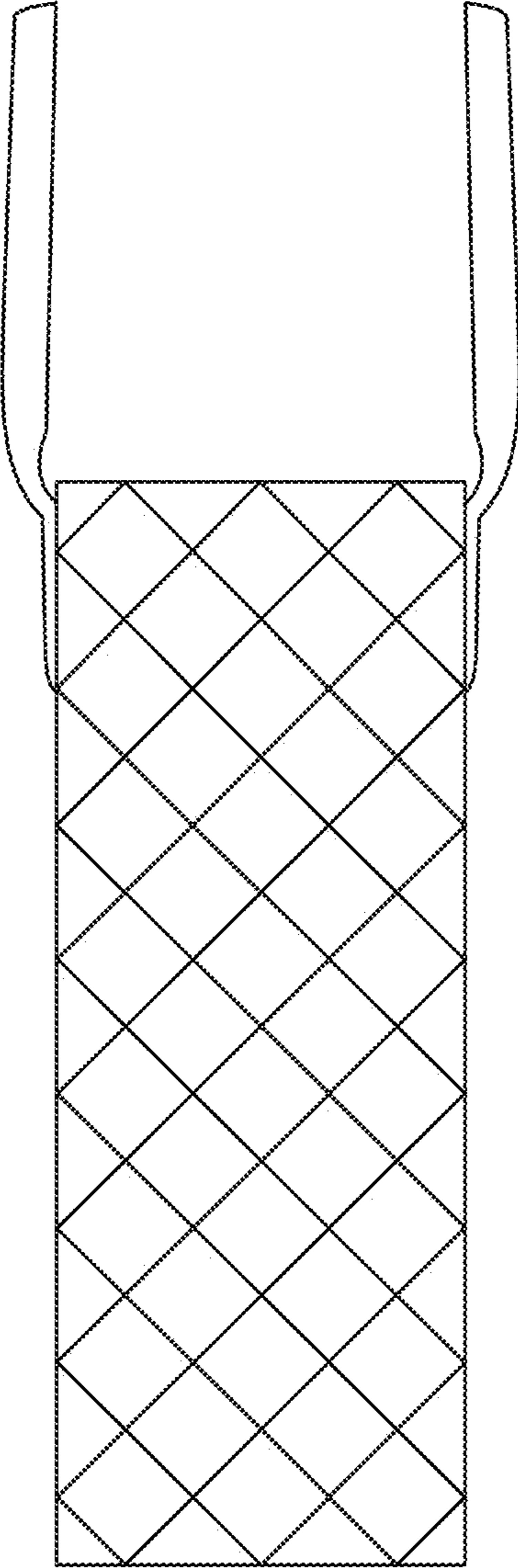


FIG. 5

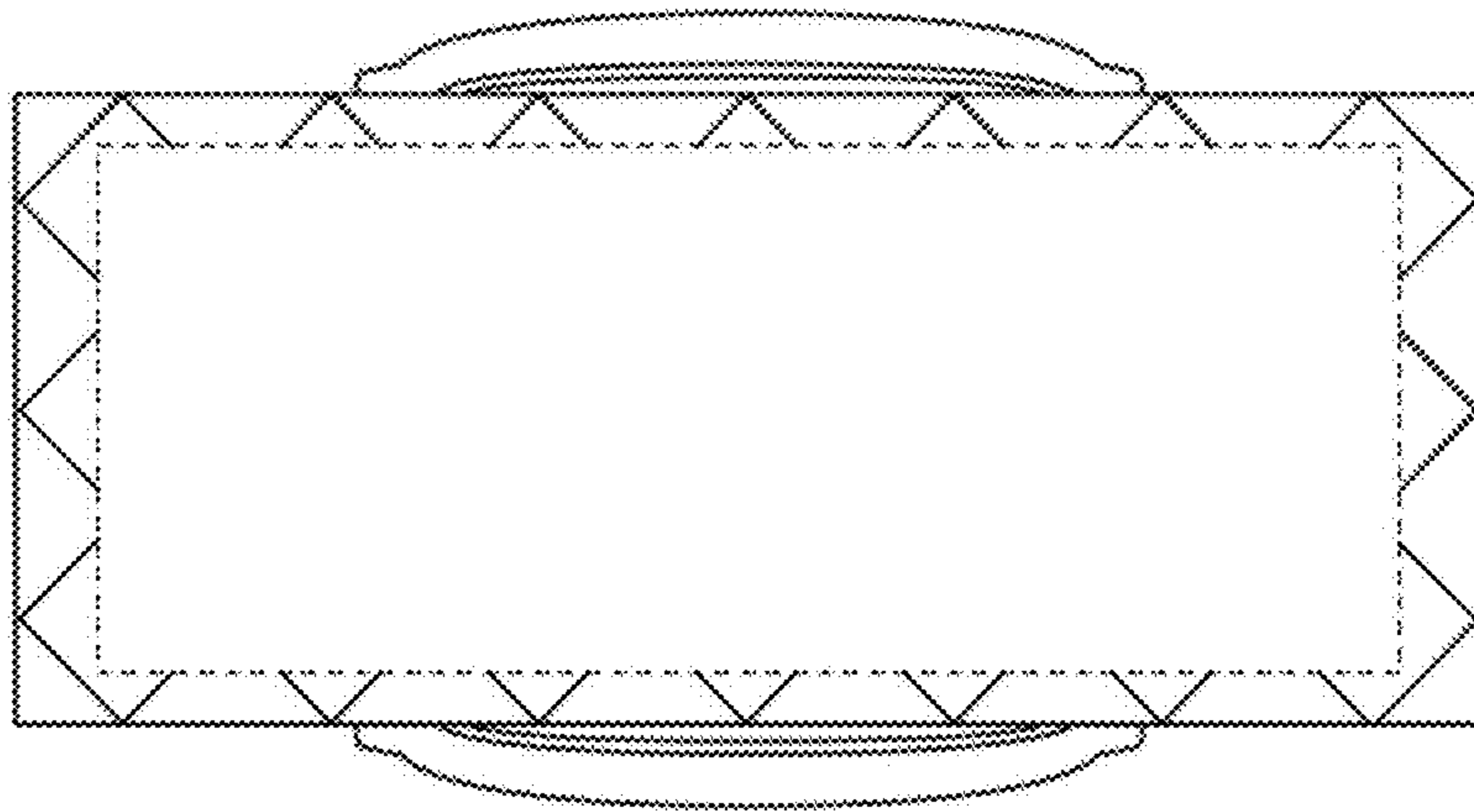


FIG. 6



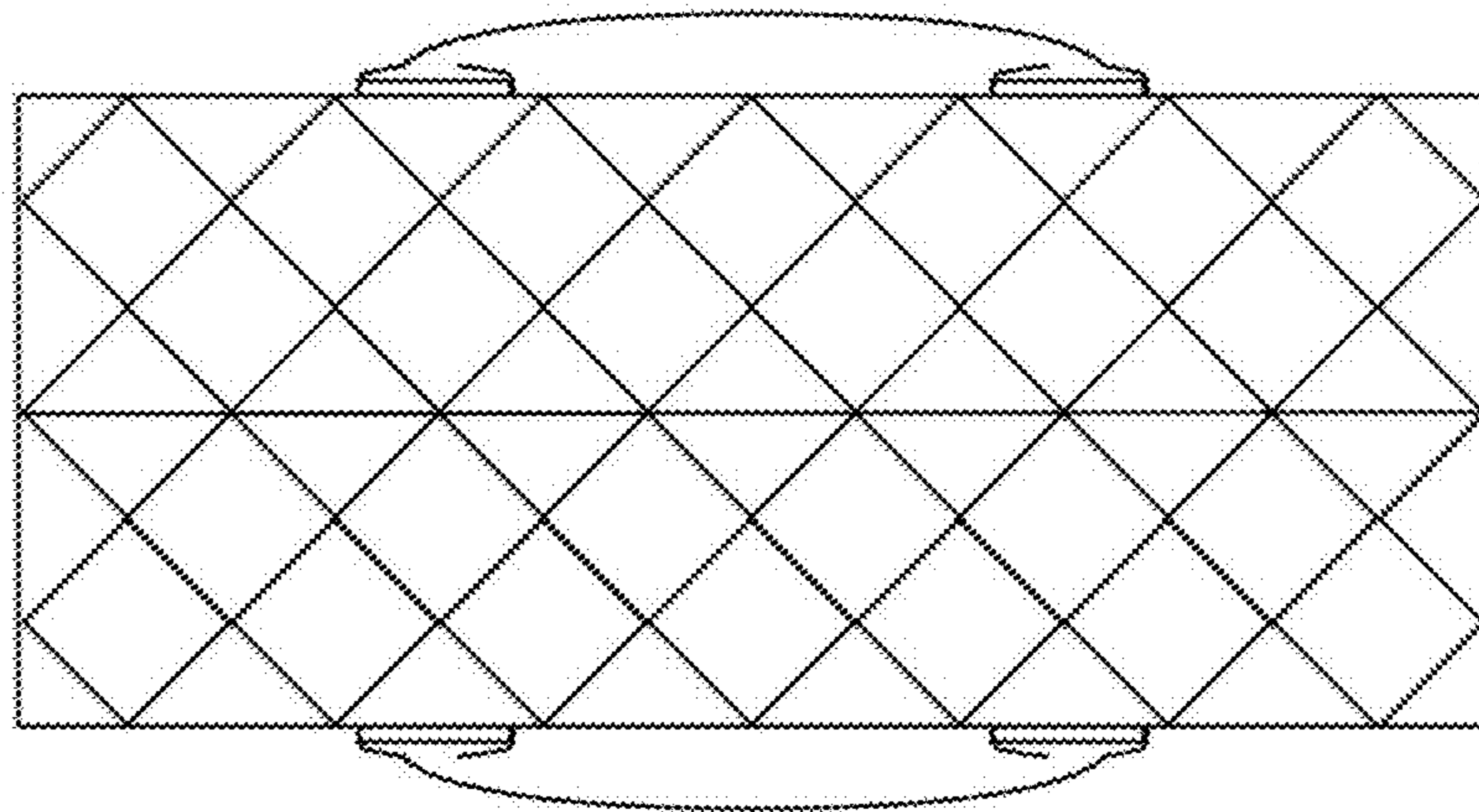


FIG. 7