

US00D964023S

(12) **United States Design Patent**
Ladage

(10) **Patent No.:** **US D964,023 S**

(45) **Date of Patent:** **** Sep. 20, 2022**

(54) **QUICK ACCESS SHOOTING BAG**

(71) Applicant: **Trace Baggage, LLC**, Grand Junction, CO (US)

(72) Inventor: **Fredrick W. Ladage**, Grand Junction, CO (US)

(73) Assignee: **Trace Baggage, LLC**, Grand Junction, CO (US)

(**) Term: **15 Years**

(21) Appl. No.: **29/827,077**

(22) Filed: **Feb. 17, 2022**

(51) **LOC (13) Cl.** **03-01**

(52) **U.S. Cl.**

USPC **D3/221**

(58) **Field of Classification Search**

USPC D3/201, 215, 221-222, 225, 226, 231, D3/262, 294

CPC A45C 3/04; A45C 5/005; A45C 2005/10; A45C 2007/0004; A45C 7/0036; A45C 2009/007; A45C 9/00; A45C 2011/003; A45C 11/20

See application file for complete search history.

(56) **References Cited**

U.S. PATENT DOCUMENTS

D459,876 S *	7/2002	Smith	D3/226
D484,310 S *	12/2003	Wolf	D3/903
D528,784 S *	9/2006	Beck	D3/262
D535,099 S *	1/2007	Johansson	D3/276
D551,442 S *	9/2007	Nash	D3/215
D560,351 S *	1/2008	Boehm	D3/202
D702,042 S *	4/2014	Holloway	D3/243
D799,817 S *	10/2017	Roccisano	D3/222
D809,783 S *	2/2018	Votel	D3/905

(Continued)

Primary Examiner — Michael A. Pratt

(74) *Attorney, Agent, or Firm* — Craig R. Miles; CR Miles P.C.

(57) **CLAIM**

I claim the ornamental design for a quick access shooting bag, as shown and described.

DESCRIPTION

FIG. 1 is a perspective view of a shooting bag in a closed condition, embodying my new design;

FIG. 2 is a front elevation view of the shooting bag in the closed condition;

FIG. 3 is a rear elevation view of the shooting bag in the closed condition;

FIG. 4 is a first side elevation view of the shooting bag in the closed condition;

FIG. 5 is a second side elevation view of the shooting bag in the closed condition;

FIG. 6 is a top plan view of the shooting bag in the closed condition;

FIG. 7 is a bottom plan view of the shooting bag in the closed condition;

FIG. 8 is a perspective view of the shooting bag in an open condition;

FIG. 9 is a front elevation view of the shooting bag in the open condition;

FIG. 10 is a rear elevation view of the shooting bag in the open condition;

FIG. 11 is a first side elevation view of the shooting bag in the open condition;

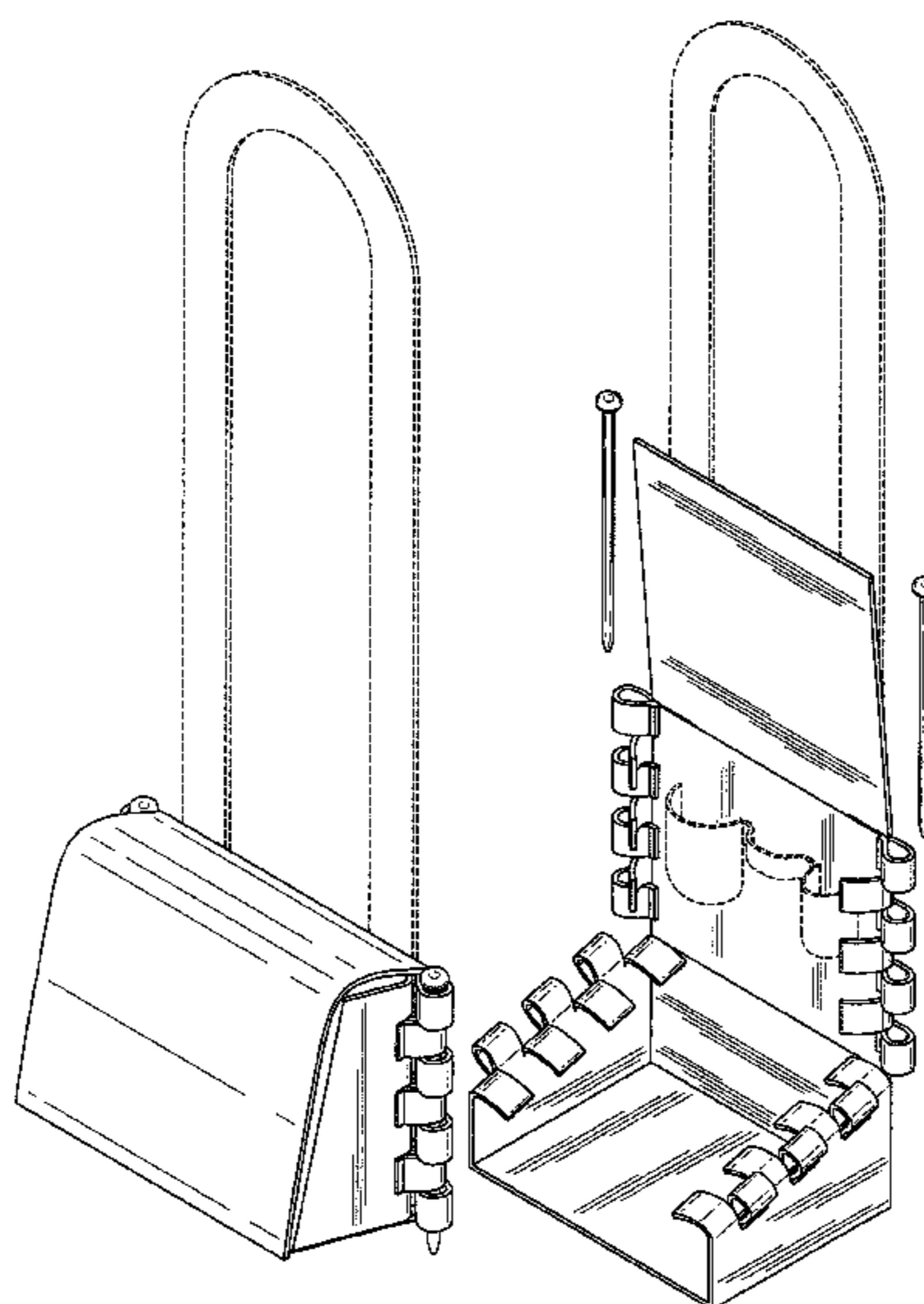
FIG. 12 is a second side elevation view of the shooting bag in the open condition;

FIG. 13 is a top plan view of the shooting bag in the open condition; and,

FIG. 14 is a bottom plan view of the shooting bag in the open condition.

The broken lines shown are included for the purpose of illustrating the unclaimed portions of the article and form no part of the claim.

1 Claim, 12 Drawing Sheets



(56)

References Cited

U.S. PATENT DOCUMENTS

D813,536 S * 3/2018 Schoh D3/217
D895,285 S * 9/2020 Hutchison D3/294

* cited by examiner

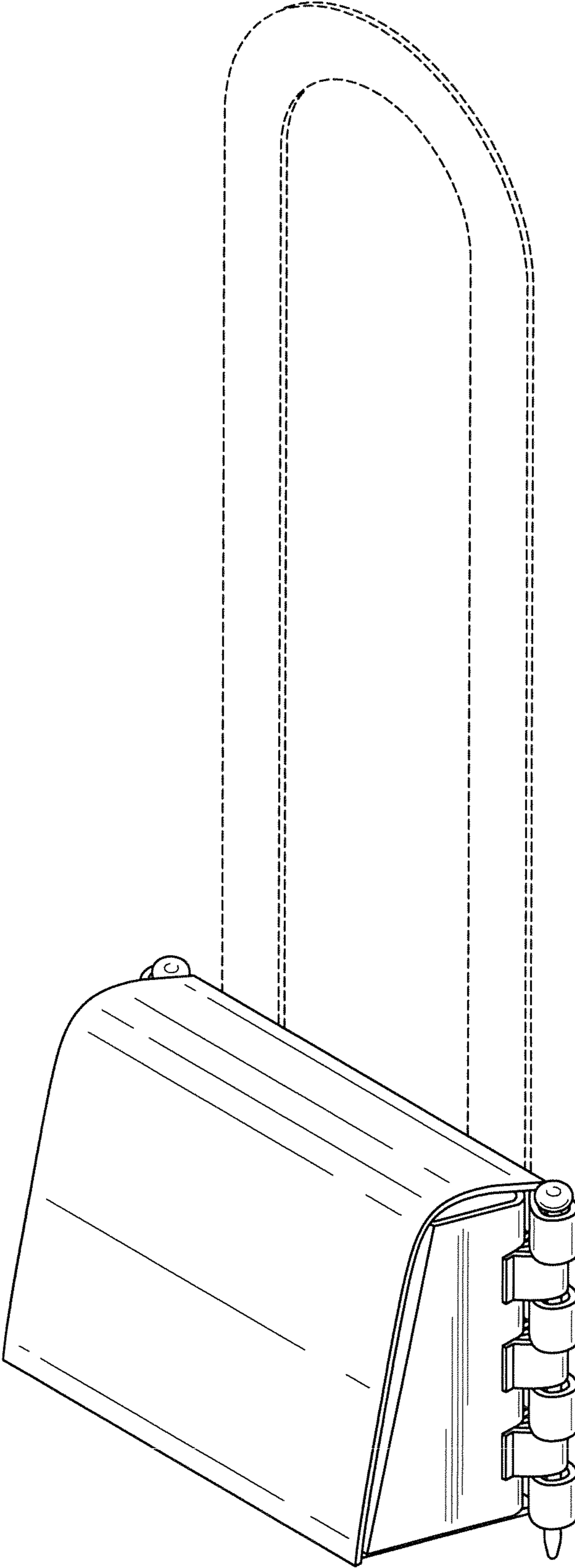


FIG. 1

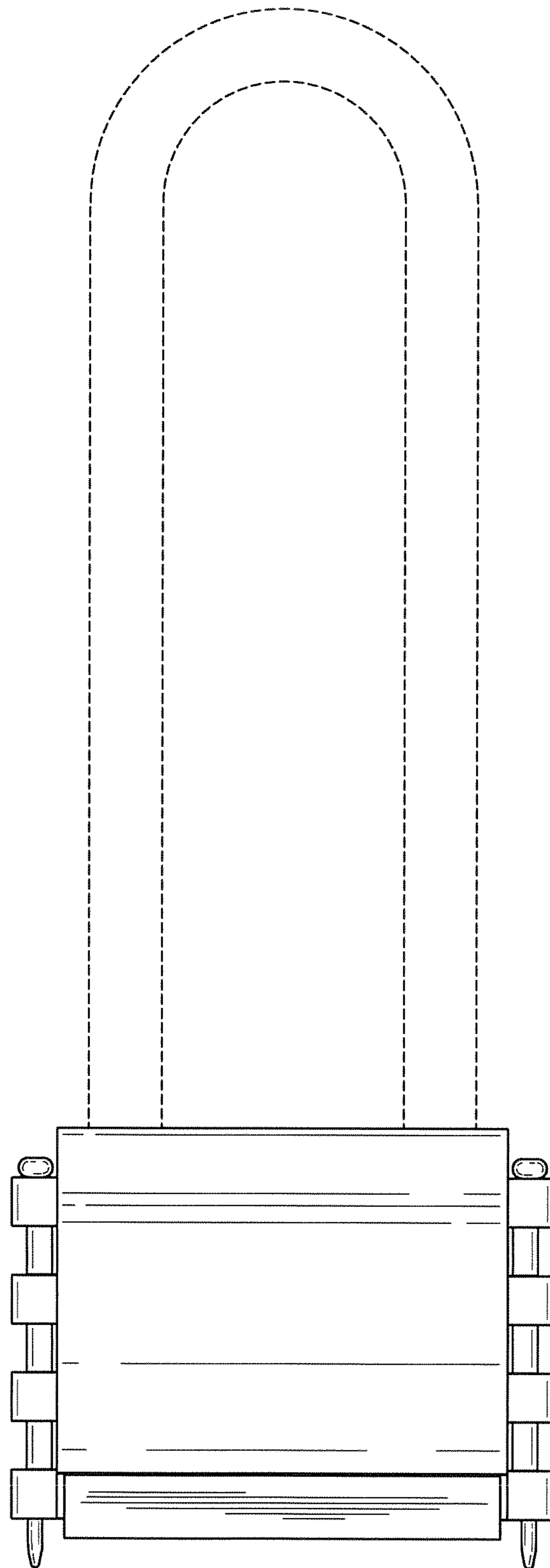


FIG. 2

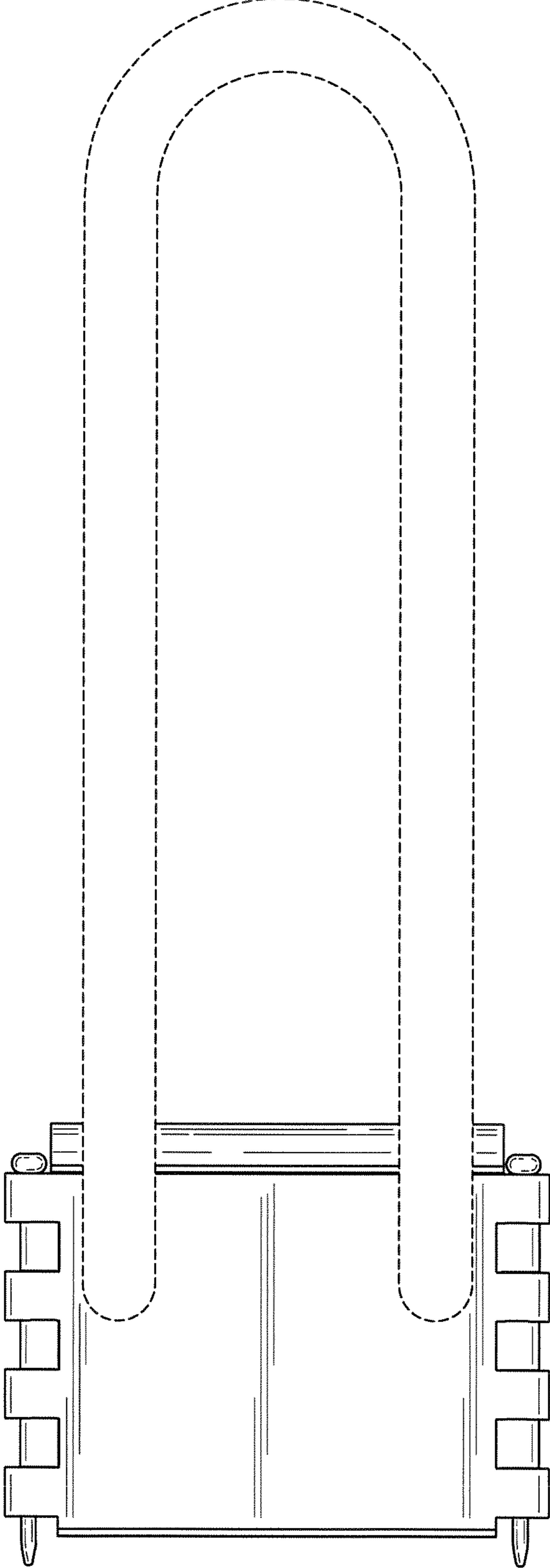


FIG. 3



FIG. 4

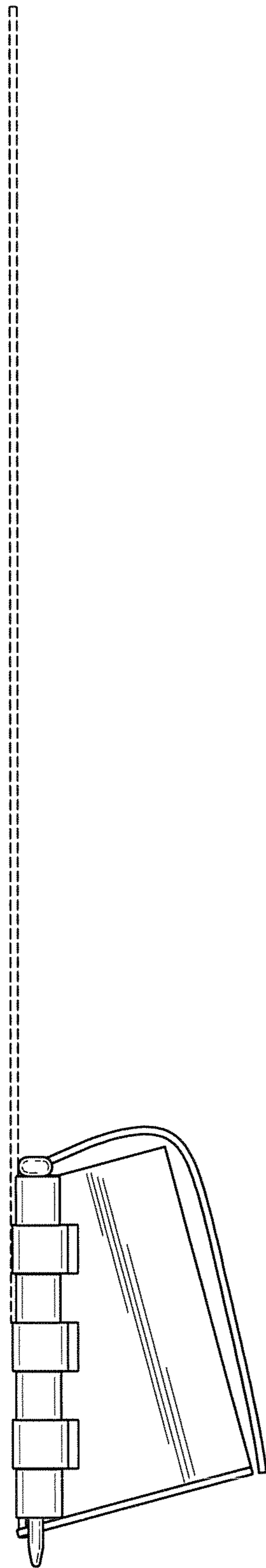


FIG. 5

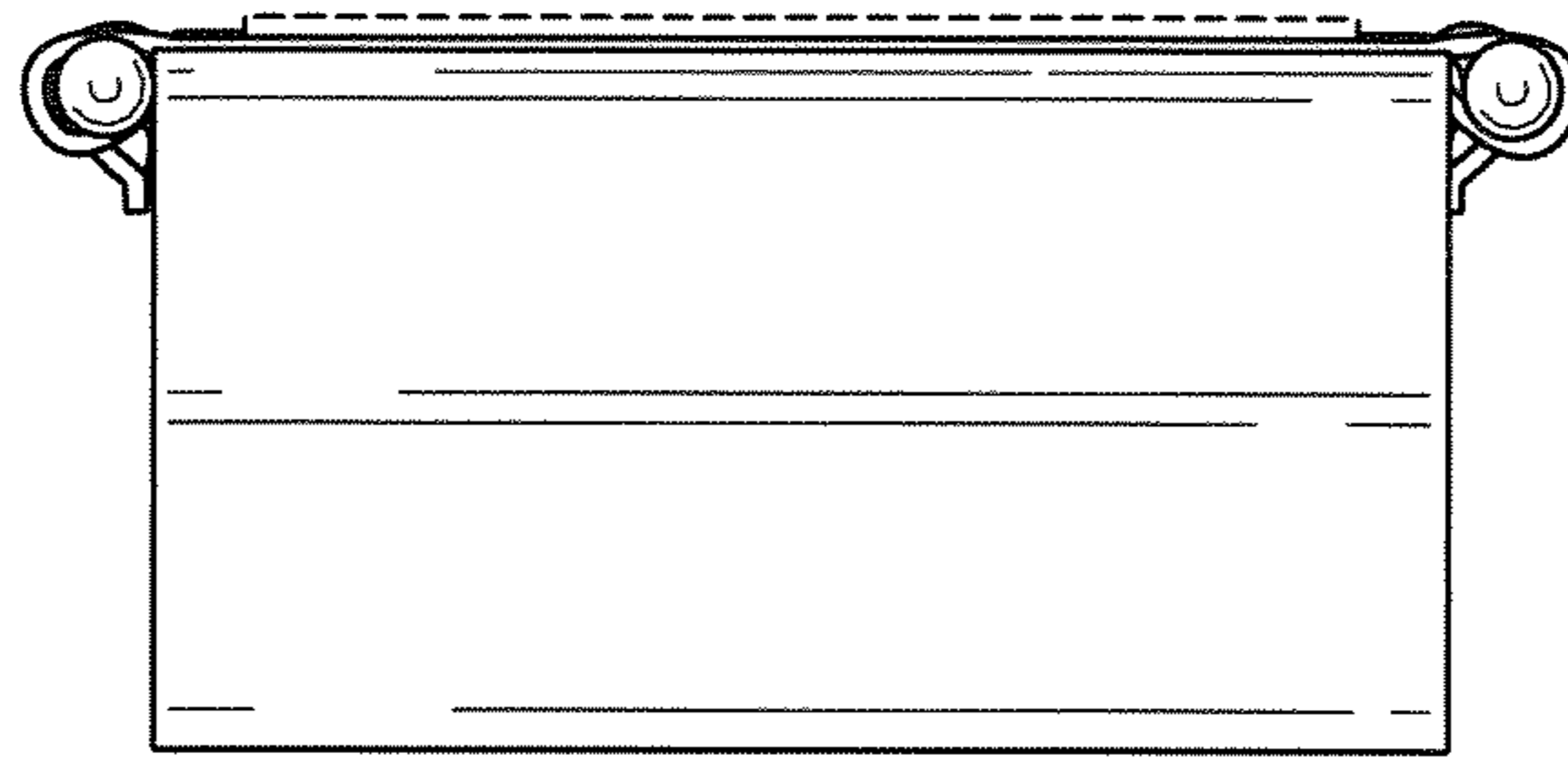


FIG. 6

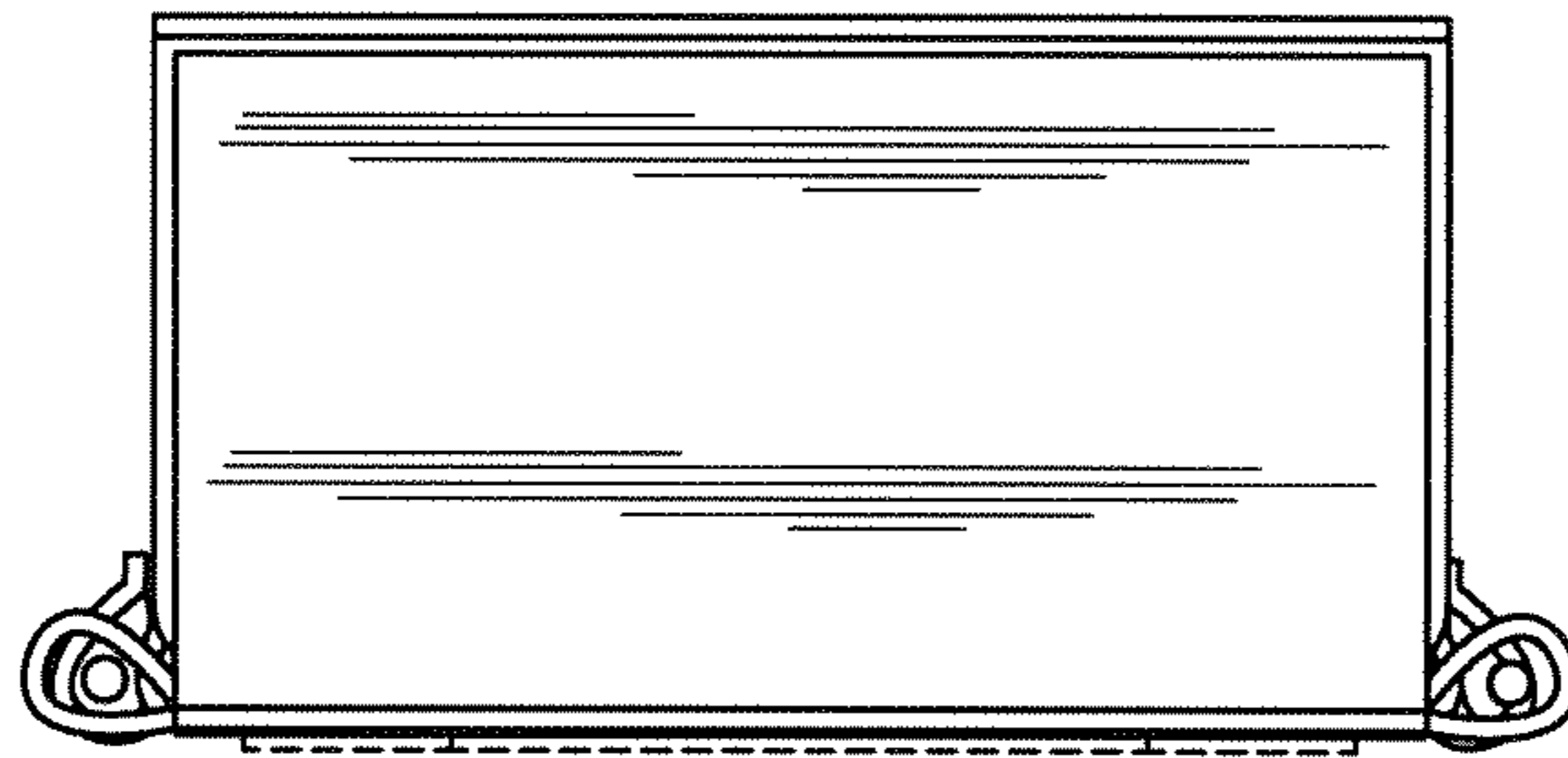


FIG. 7

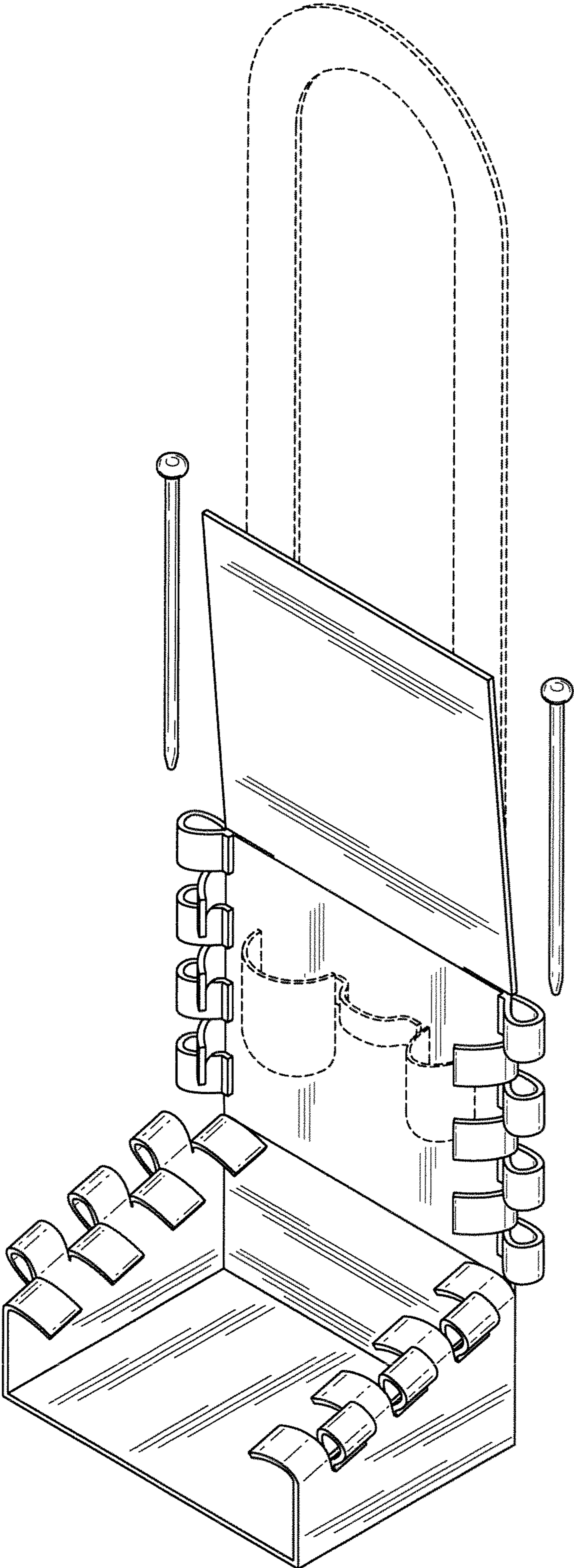


FIG. 8

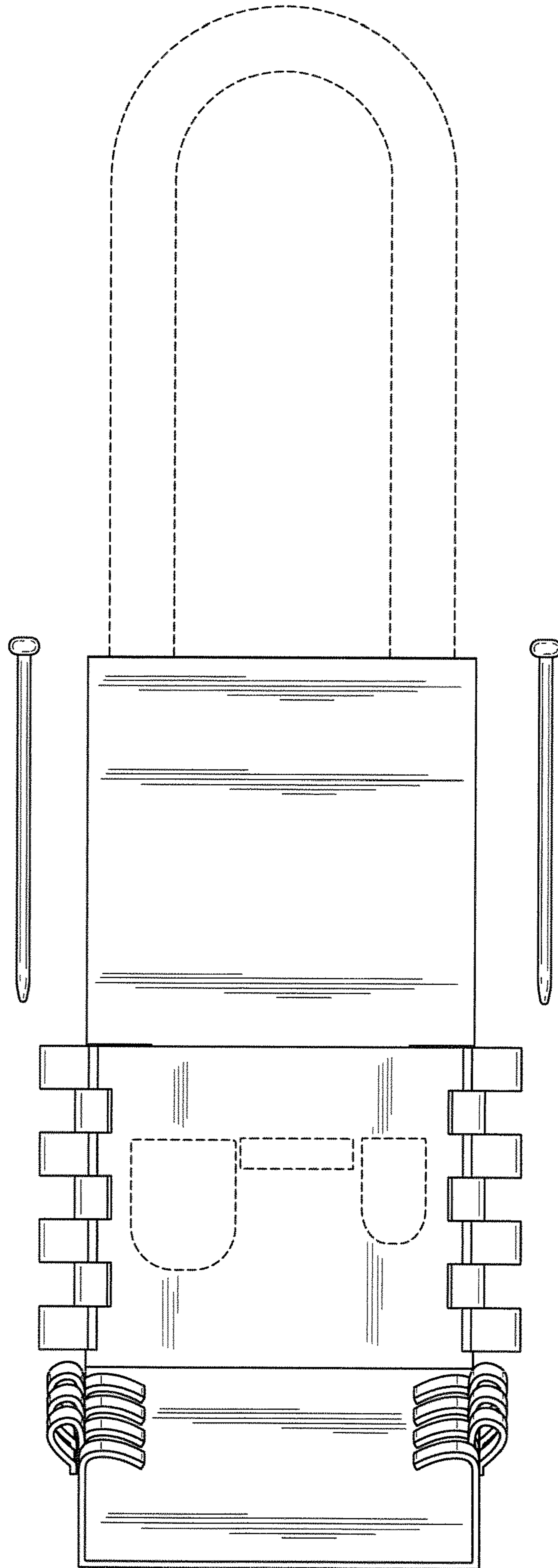


FIG. 9

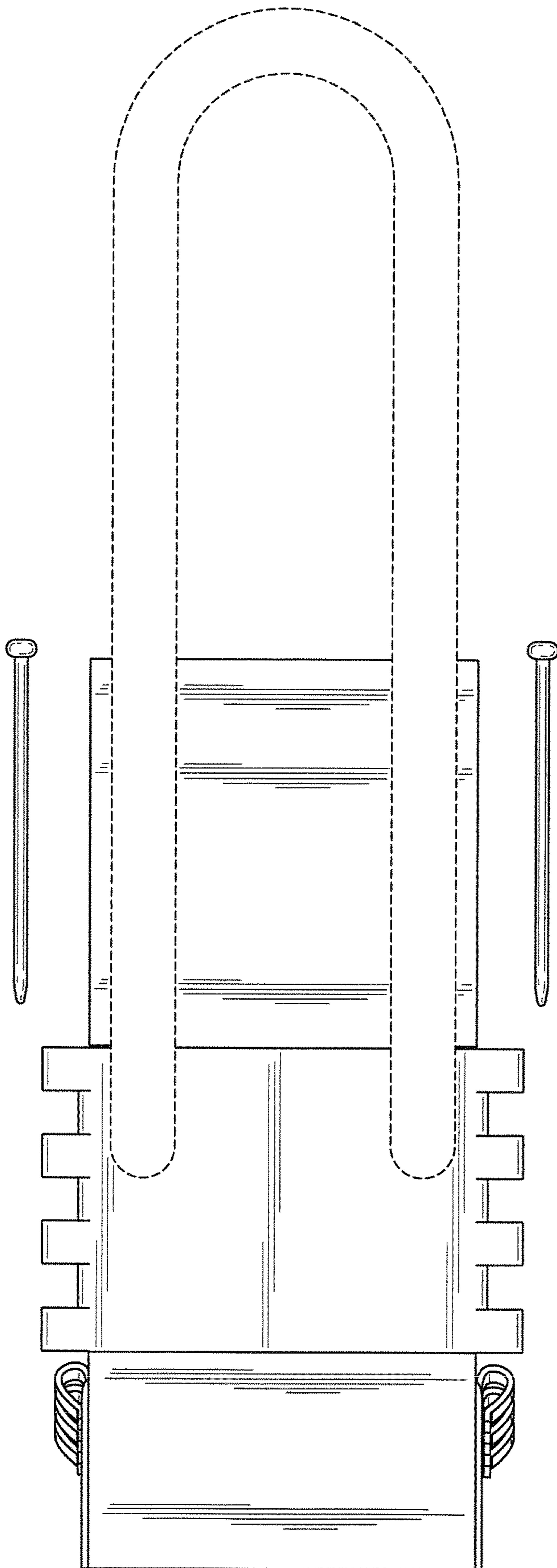


FIG. 10

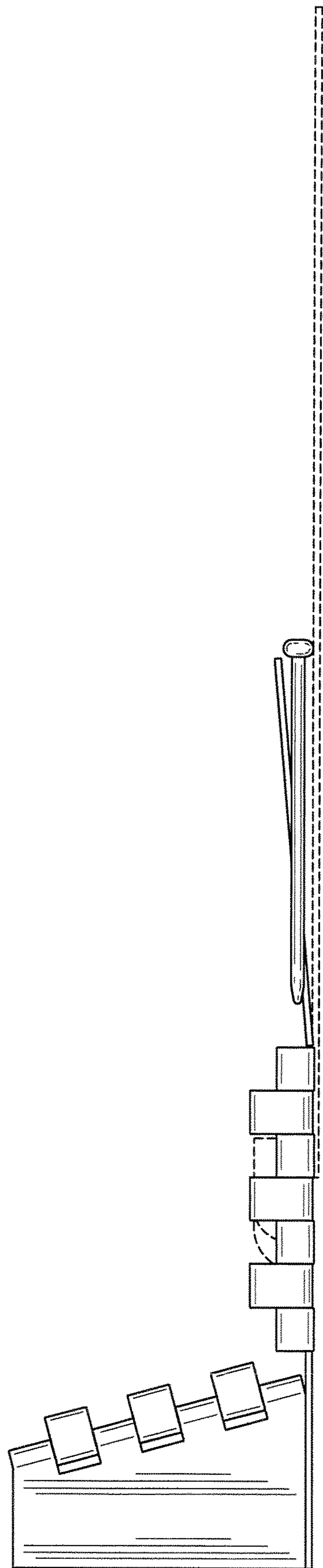


FIG. 11

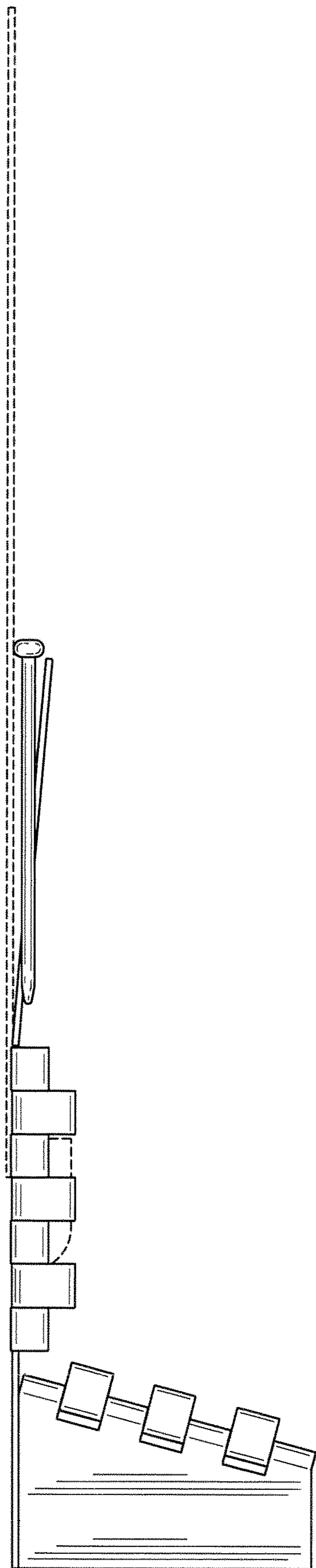


FIG. 12

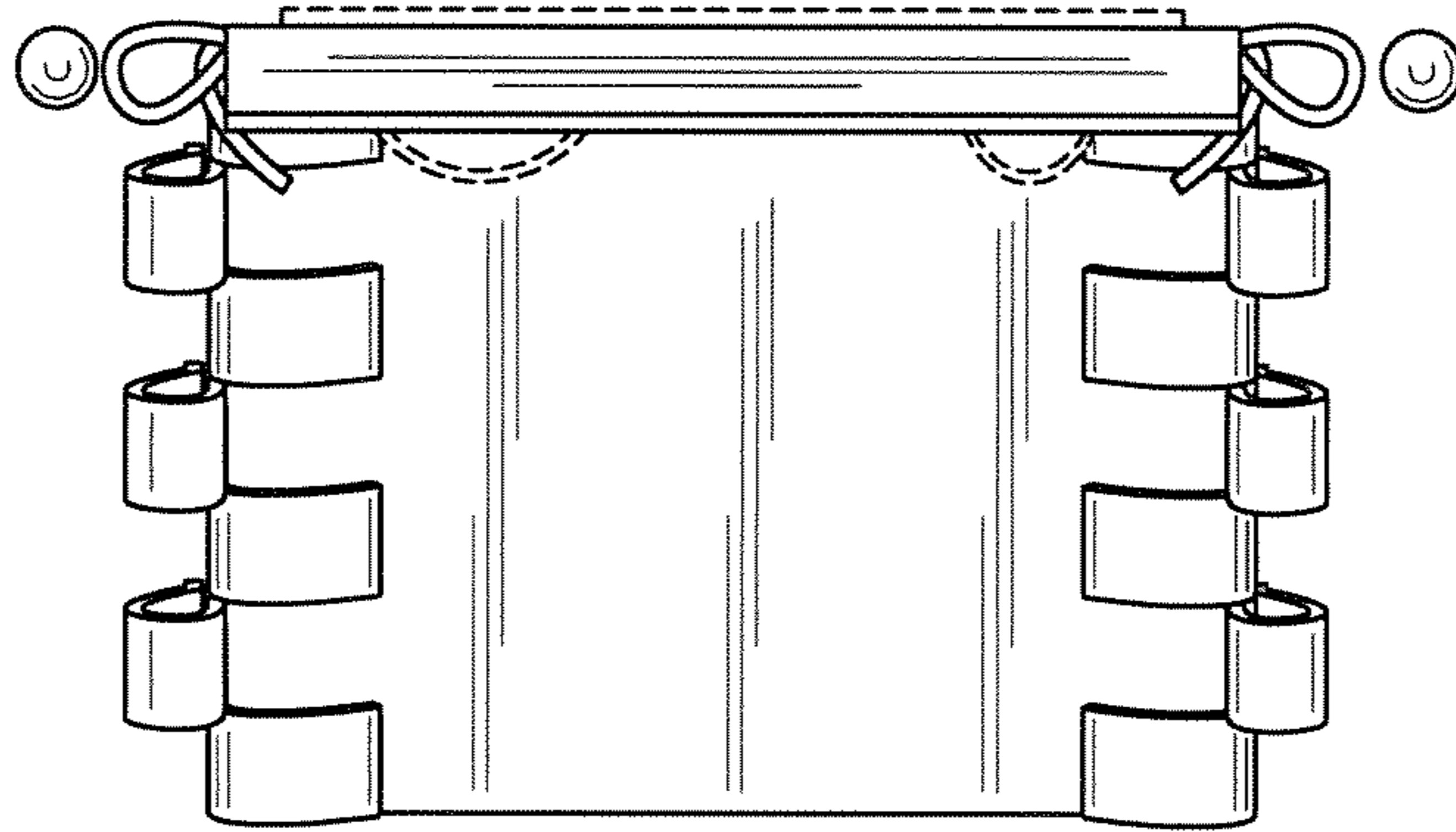


FIG. 13

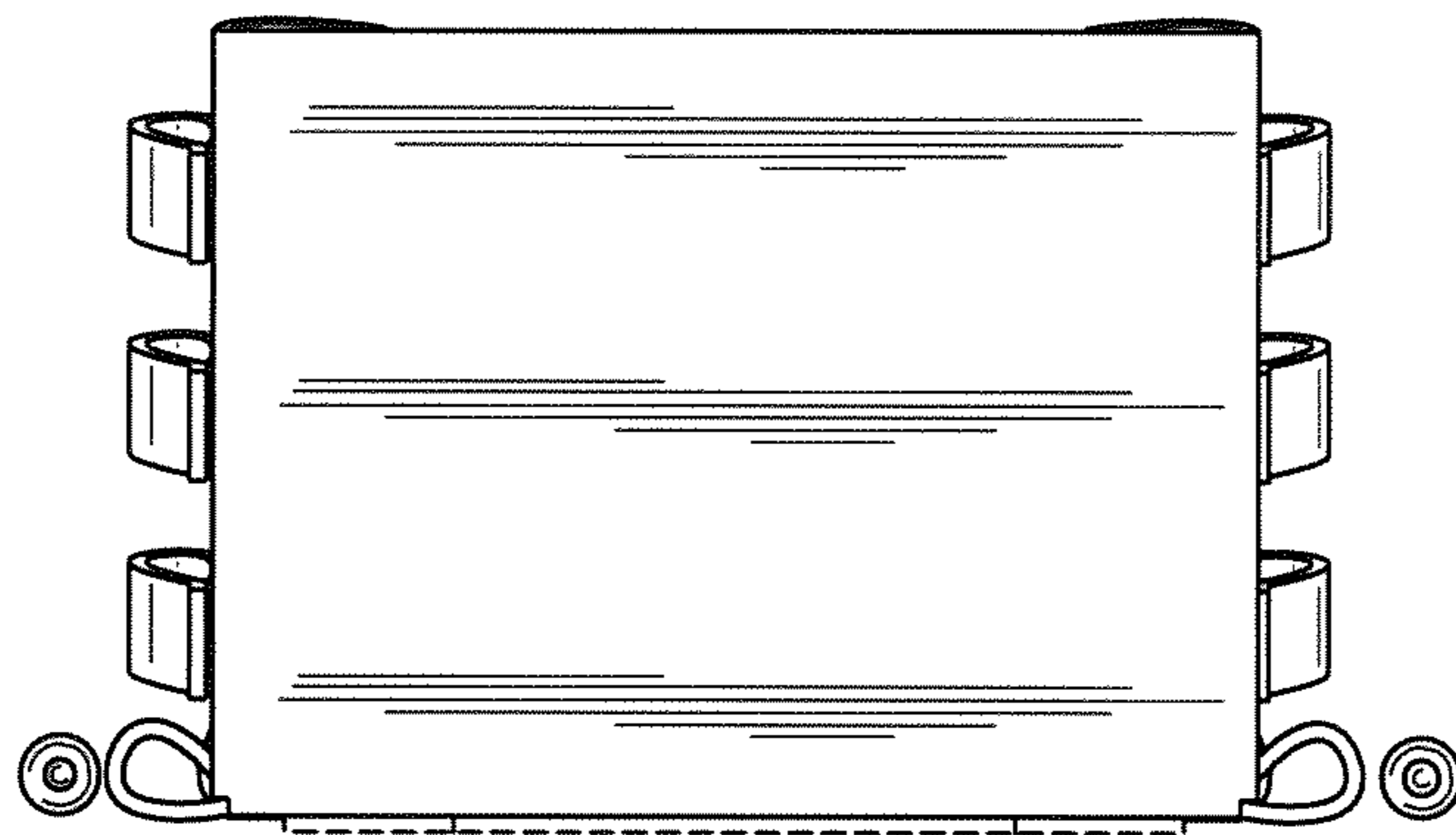


FIG. 14