



US00D964022S

(12) **United States Design Patent** (10) **Patent No.:** **US D964,022 S**
Knoll (45) **Date of Patent:** **** Sep. 20, 2022**

(54) **PICNIC BACKPACK**

(71) Applicant: **Allen Knoll**, Doral, FL (US)

(72) Inventor: **Allen Knoll**, Doral, FL (US)

(**) Term: **15 Years**

(21) Appl. No.: **29/695,102**

(22) Filed: **Jun. 15, 2019**

(51) **LOC (13) Cl.** **03-01**

(52) **U.S. Cl.**
USPC **D3/217**

(58) **Field of Classification Search**
USPC D3/216–217, 273, 289, 290, 318, 321,
D3/322, 323, 243, 244, 246, 232, 233,
D3/242, 245; 383/72
CPC A45F 4/02; A45F 4/08; A45F 2200/05;
A45F 2200/0525; A45F 3/04; A45F
3/042; A45F 3/047; A45F 3/08; A45F
3/10; A45F 3/14; A45C 13/08; A45C
13/083; A45C 13/1046; A45C 2003/007;
A45C 3/10

See application file for complete search history.

(56) **References Cited**

U.S. PATENT DOCUMENTS

| | | | | |
|--------------|---------|---------------|-------|--------|
| D396,745 S * | 8/1998 | Peterson | | D3/216 |
| D403,853 S * | 1/1999 | Lothrop | | D3/216 |
| D446,008 S * | 8/2001 | Schulze | | D3/216 |
| D485,432 S * | 1/2004 | Desrochers | | D3/214 |
| D487,189 S * | 3/2004 | Ukitsu | | D3/215 |
| D615,295 S * | 5/2010 | Arnold | | D3/216 |
| D734,024 S * | 7/2015 | Garcia | | D3/216 |
| D746,049 S * | 12/2015 | Zwetzig | | D3/217 |
| D833,141 S * | 11/2018 | Carter | | D3/217 |
| D834,895 S * | 12/2018 | Triska et al. | | D3/217 |
| D853,107 S * | 7/2019 | Lyons | | D3/217 |
| D856,662 S * | 8/2019 | Breines | | D3/217 |

(Continued)

OTHER PUBLICATIONS

Wayback machine search <https://www.inpicnic.com/products/backpack-vi> “Montana Picnic Backpack Set Black | 4 Person Service”, posted at web.archive.org, dated Jan. 29, 2019, retrieved May 8, 2020, online, URL: <https://web.archive.org/web/20190129093909/https://www.inpicnic.com/products/backpack-vintage-4p> (Year: 2019).*

(Continued)

Primary Examiner — Mary Shannon Malley

(74) *Attorney, Agent, or Firm* — Quickpatents, LLC; Kevin Prince

(57) **CLAIM**

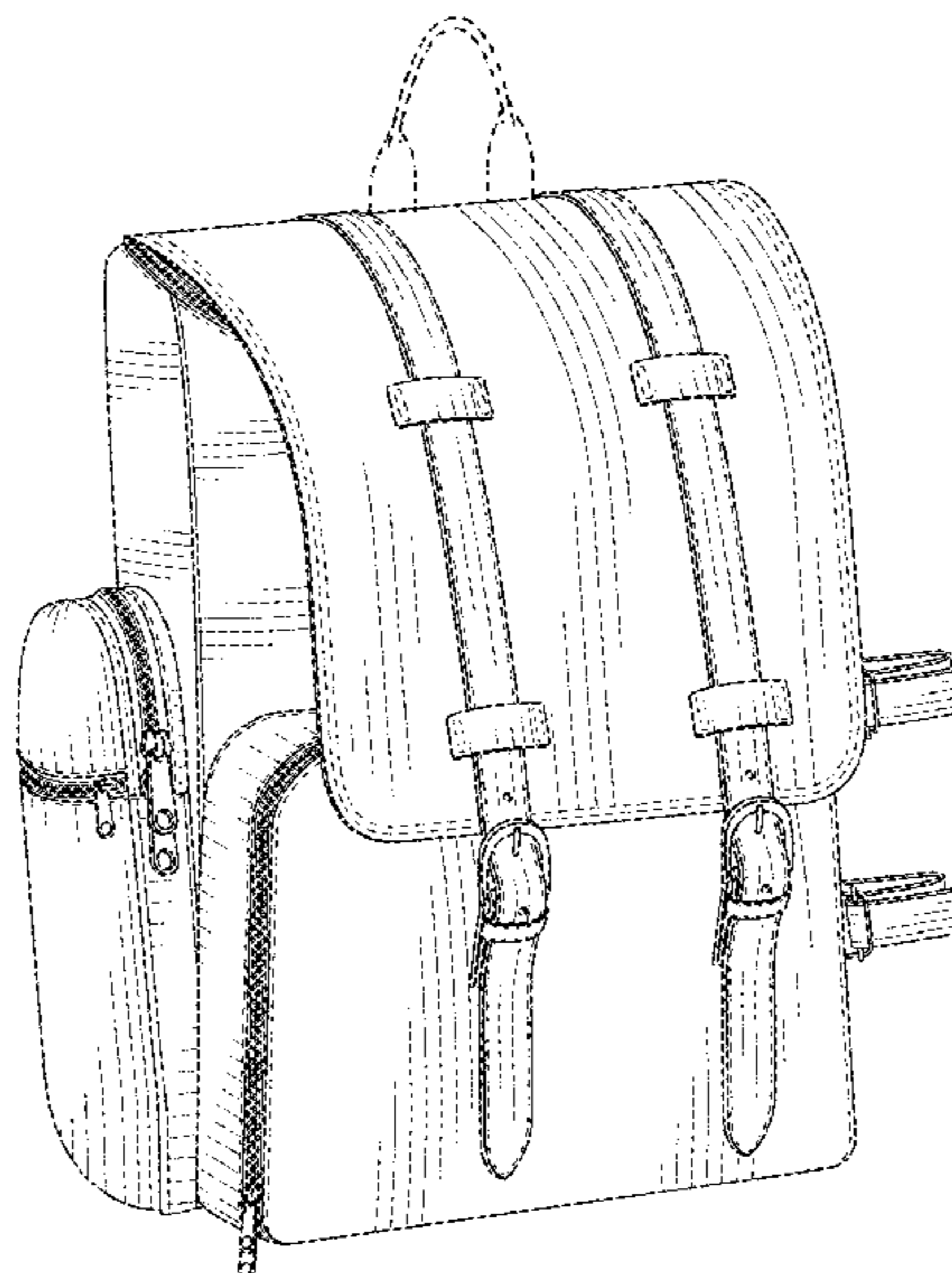
The ornamental design for a picnic backpack, as shown and described.

DESCRIPTION

FIG. 1 is a perspective view of a picnic backpack, showing my new design in a closed configuration; FIG. 2 is a front elevational view of FIG. 1; FIG. 3 is a rear elevational view of FIG. 1; FIG. 4 is a left-side elevational view of FIG. 1; FIG. 5 is a right-side elevational view of FIG. 1; FIG. 6 is a top plan view of FIG. 1; FIG. 7 is a bottom plan view of FIG. 1; FIG. 8 is a perspective view thereof, illustrated in an open configuration; FIG. 9 is a front elevational view of FIG. 8; FIG. 10 is a rear elevational view of FIG. 8; FIG. 11 is a left-side elevational view of FIG. 8; FIG. 12 is a right-side elevational view of FIG. 8; and, FIG. 13 is a top plan view of FIG. 8.

The dash-dot broken lines illustrate the boundaries of the claimed design, and form no part of the claimed design. The dash-dash broken lines illustrating the handle form no part of the claimed design. The remaining dash-dash broken lines depict stitching that does form part of the claimed design.

1 Claim, 12 Drawing Sheets



(56)

References Cited

U.S. PATENT DOCUMENTS

D867,823 S * 11/2019 Jacobsen D7/607
D874,129 S * 2/2020 Goldstein D3/217
2017/0000243 A1* 1/2017 Seuk A45F 4/02
2019/0387866 A1* 12/2019 Cheng A45C 13/04

OTHER PUBLICATIONS

California Picnic, "Picnic Backpack for 4" downloaded from the Internet on Jun. 15, 2019, URL:https://smile.amazon.com/Backpack-Portable-Complete-Stainless-Waterproof/dp/B0735TLP3/ref=sr_1_43?keywords=picnic+backpack&qid=1560565747&s=gateway&sr=8-43.

* cited by examiner

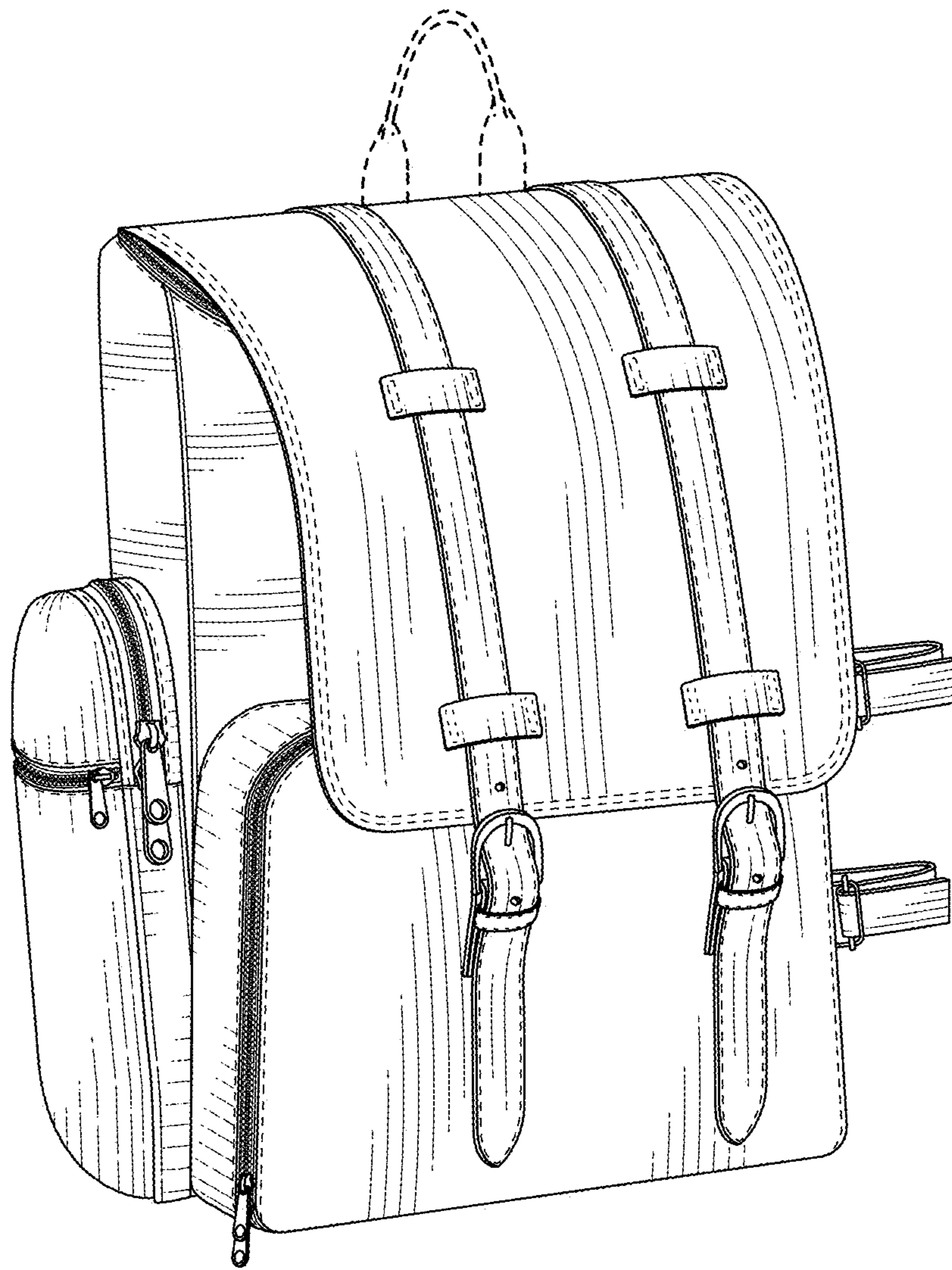


FIG. 1

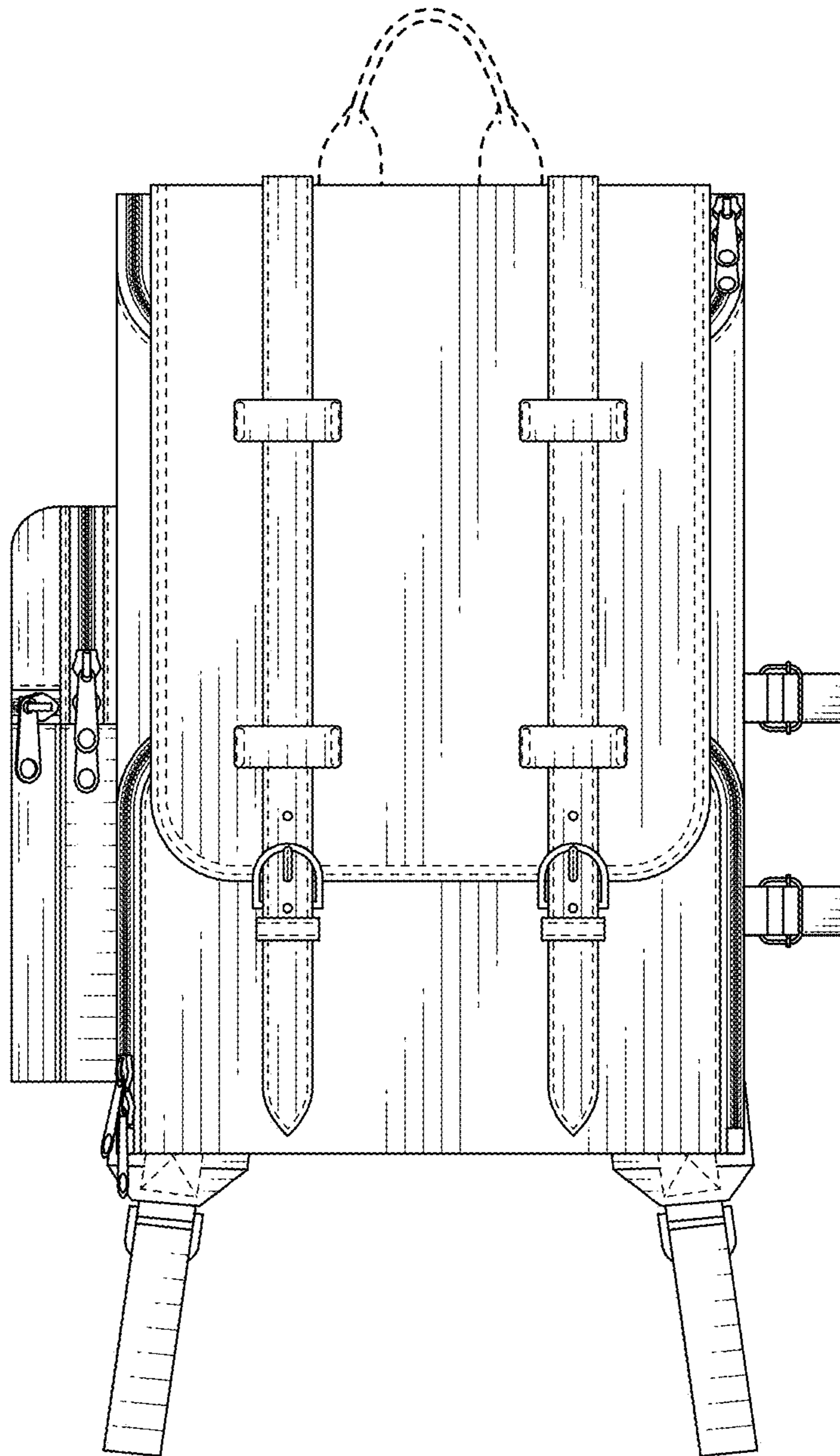


FIG. 2

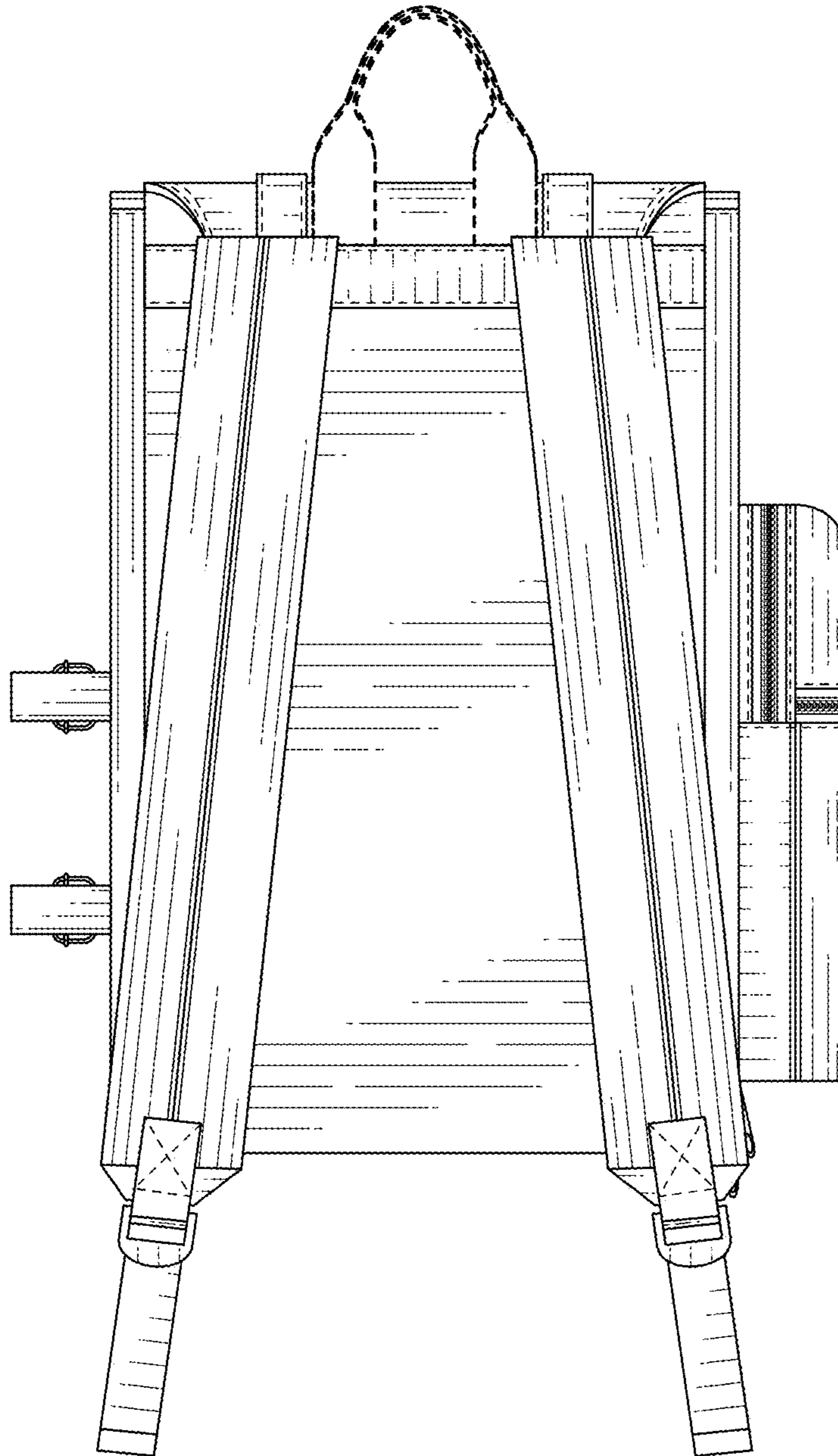


FIG. 3

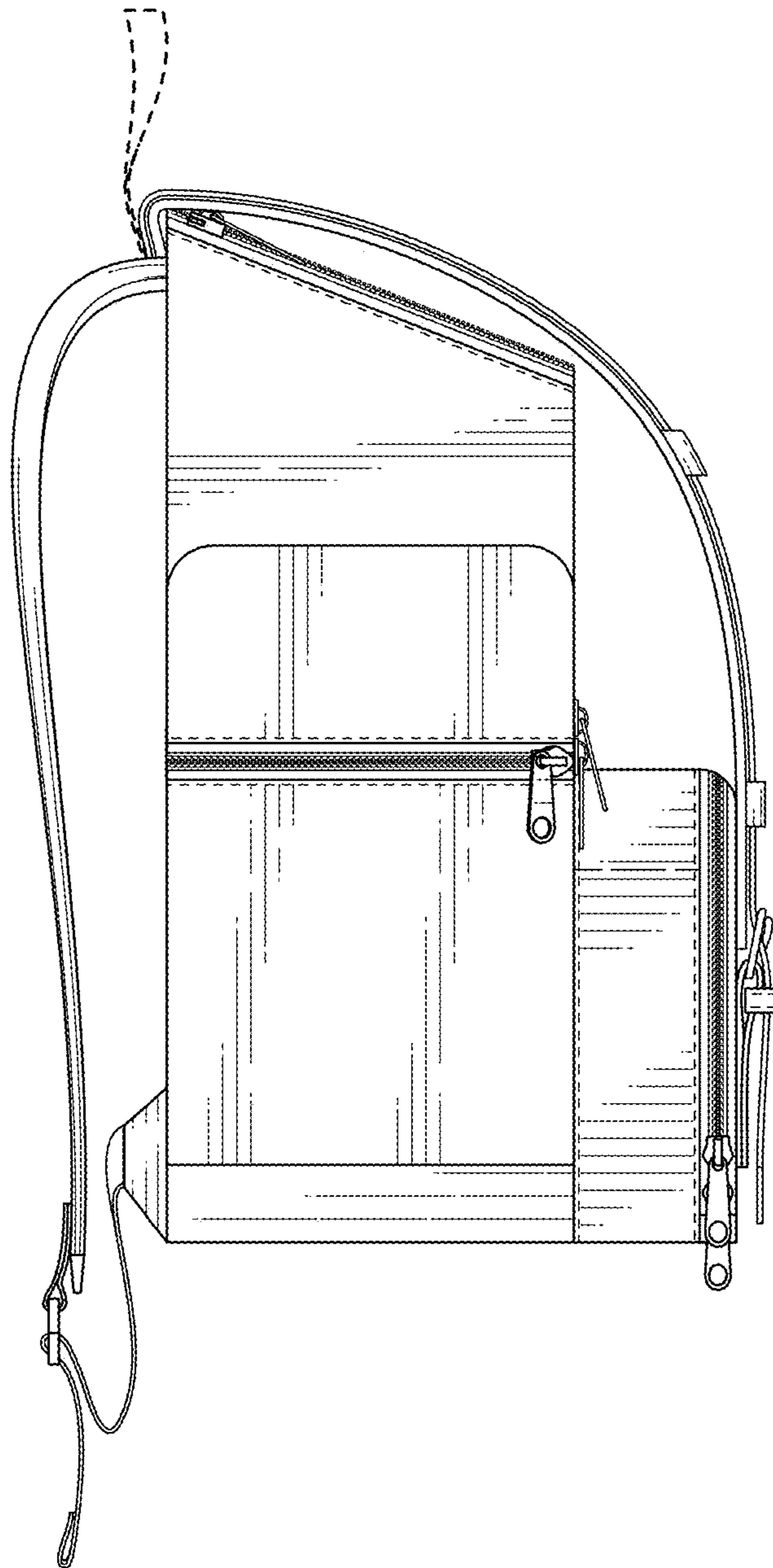


FIG. 4

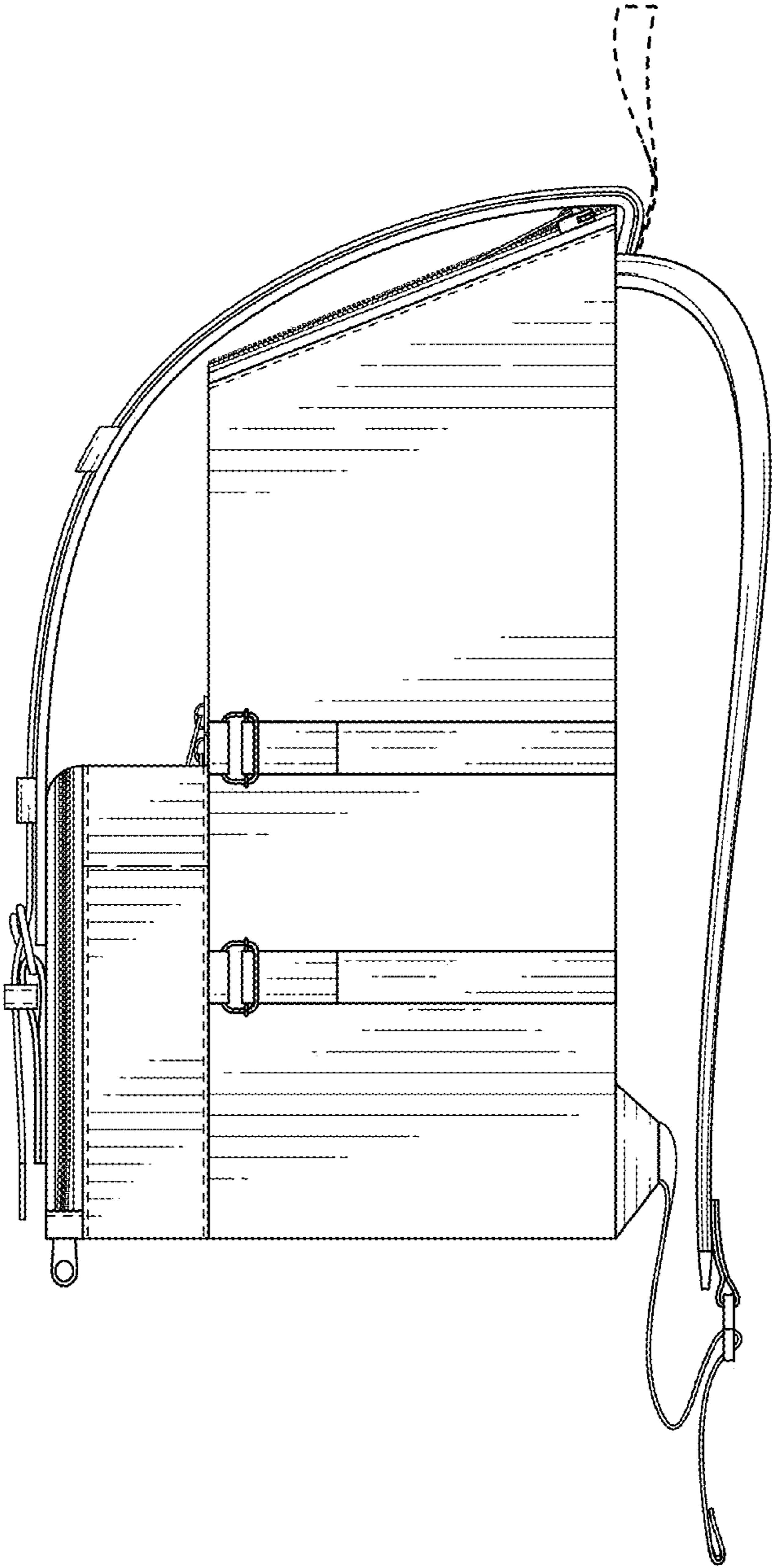


FIG. 5

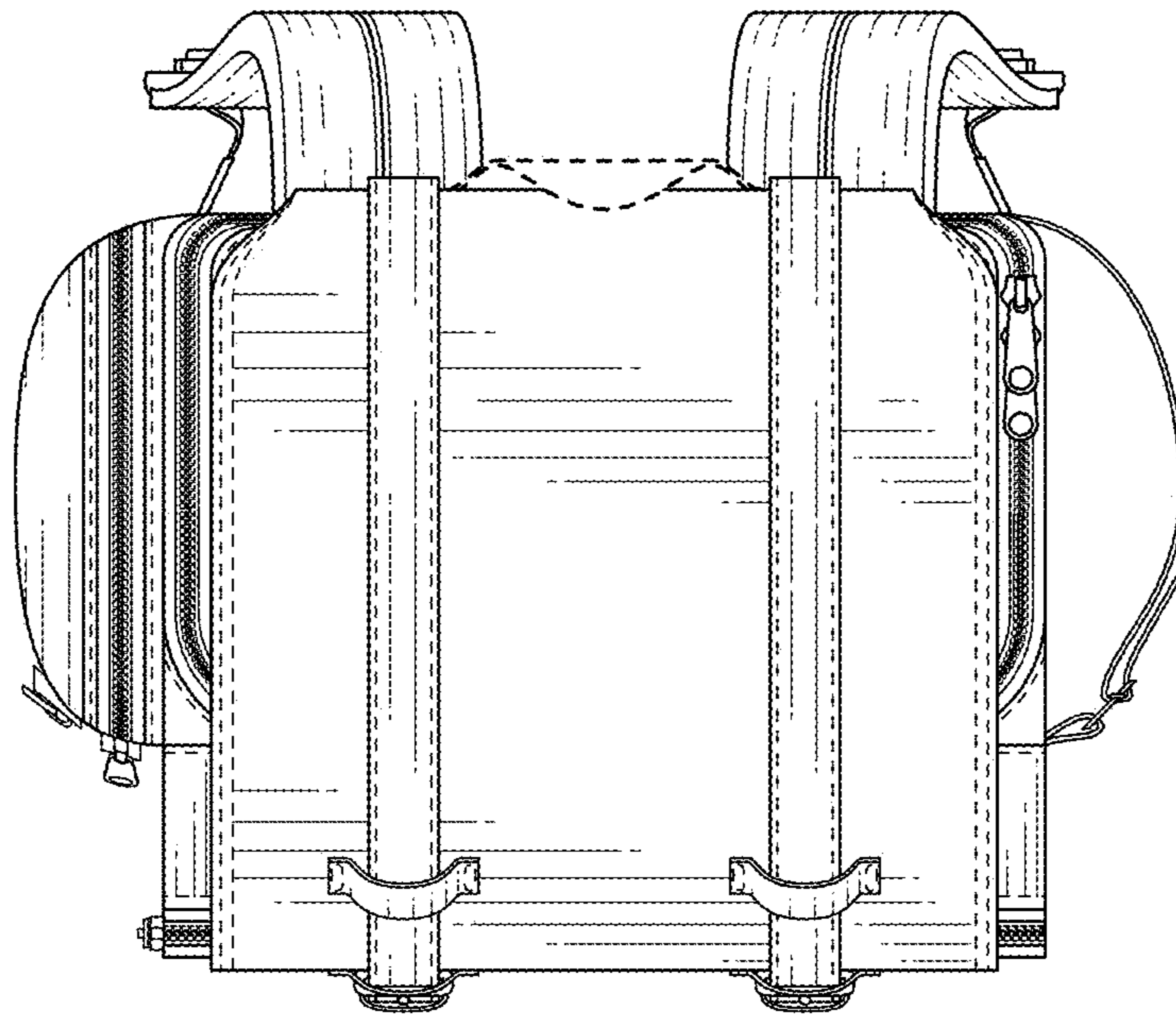


FIG. 6

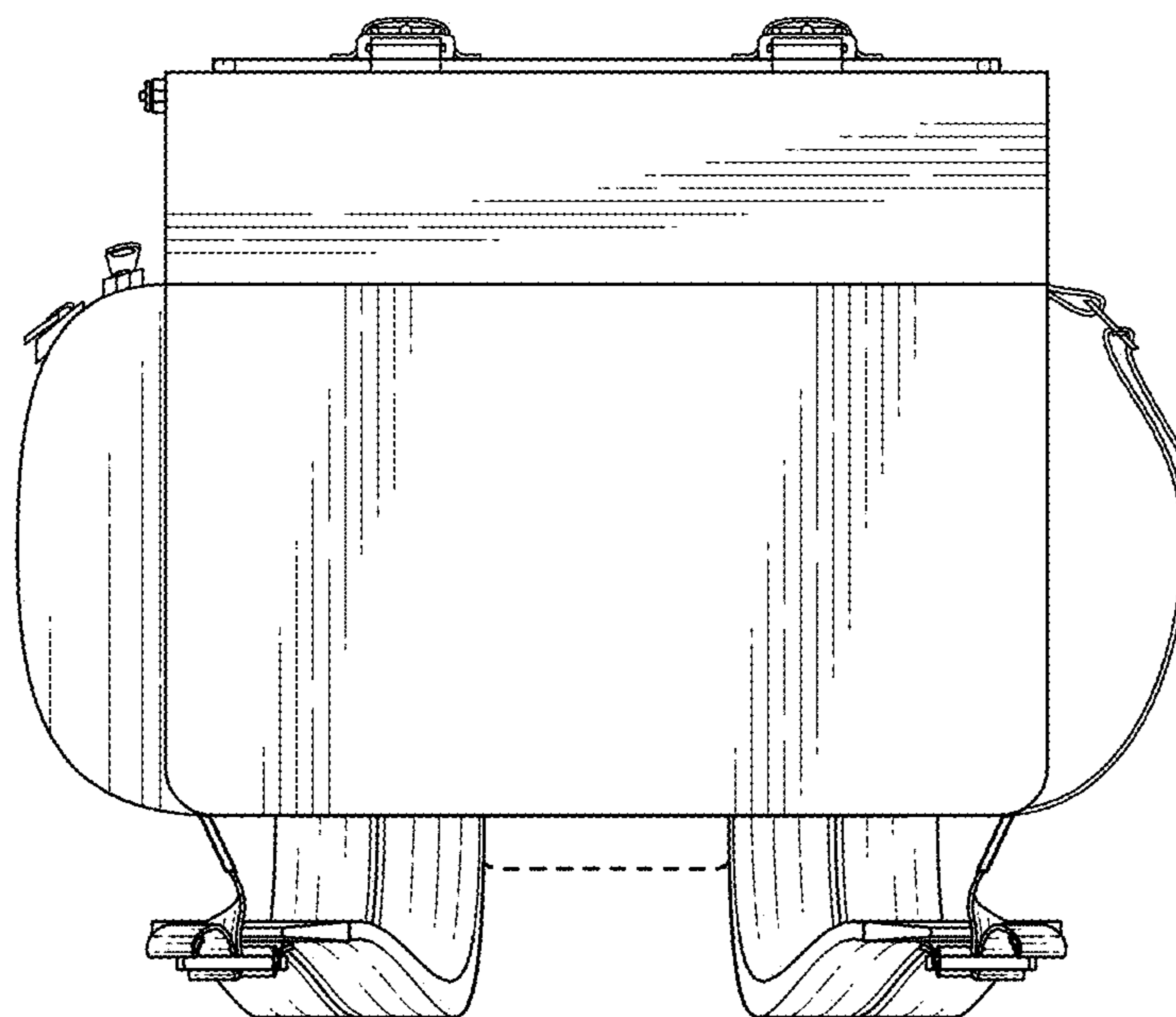


FIG. 7

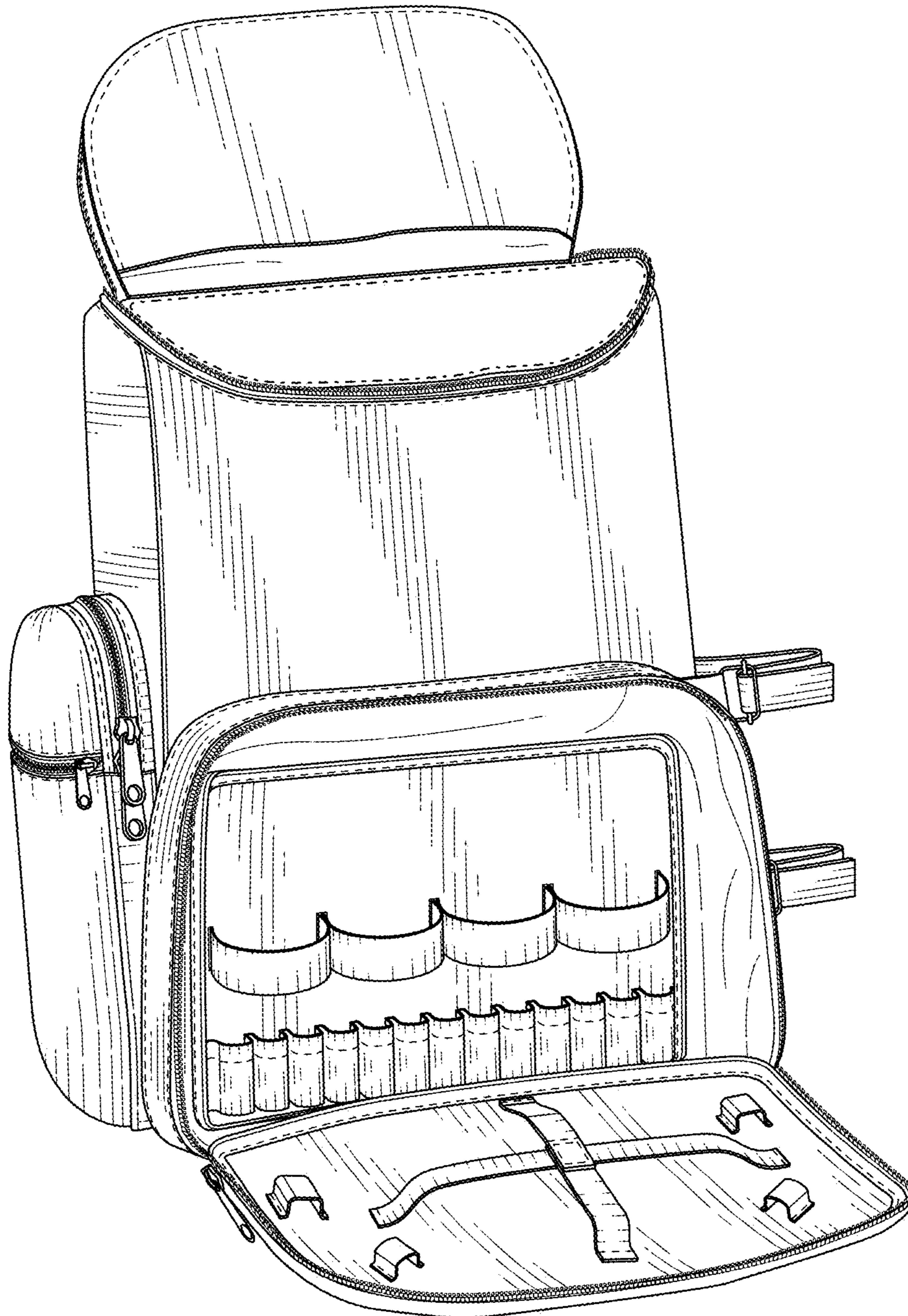


FIG. 8

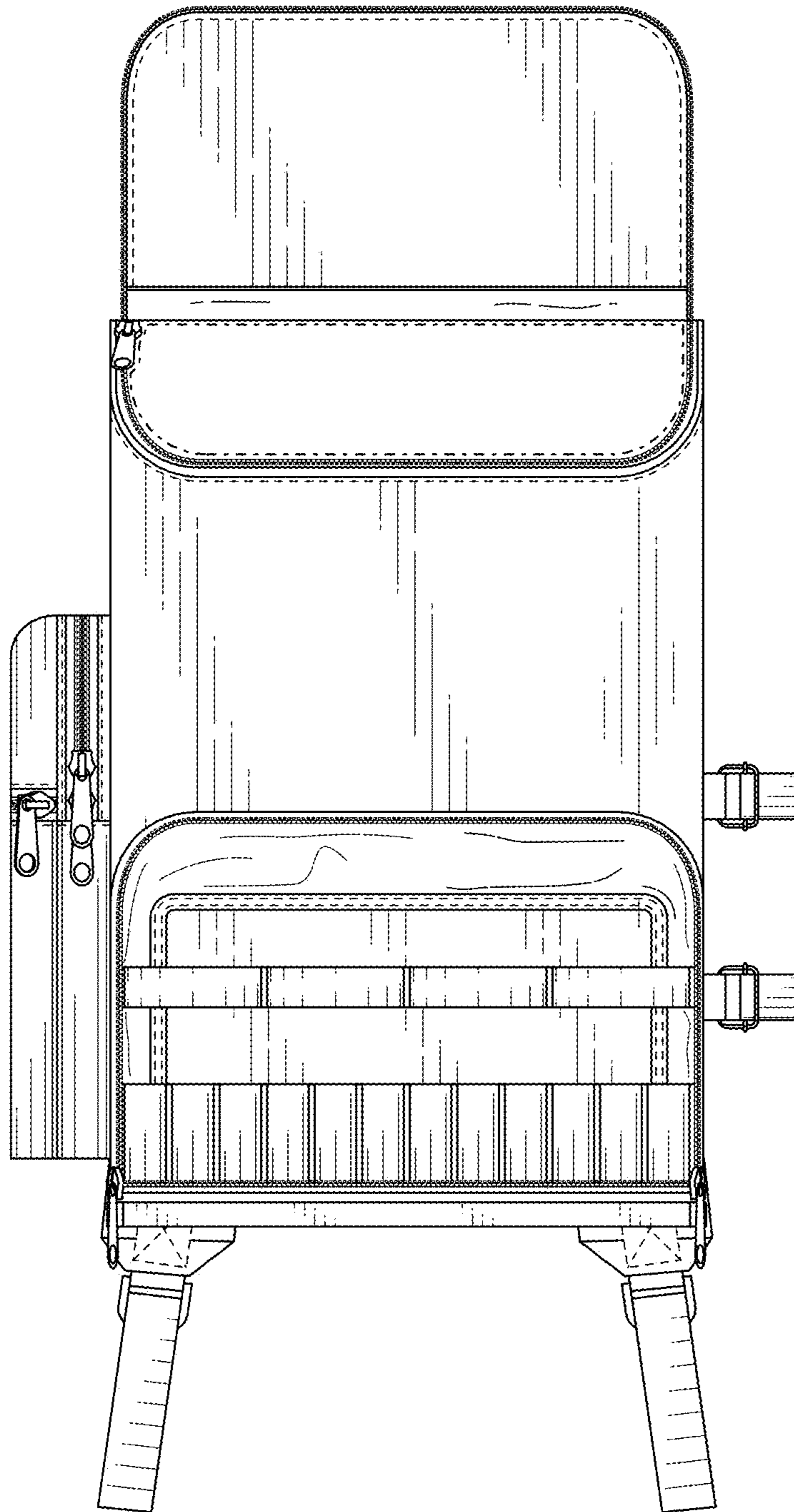


FIG. 9

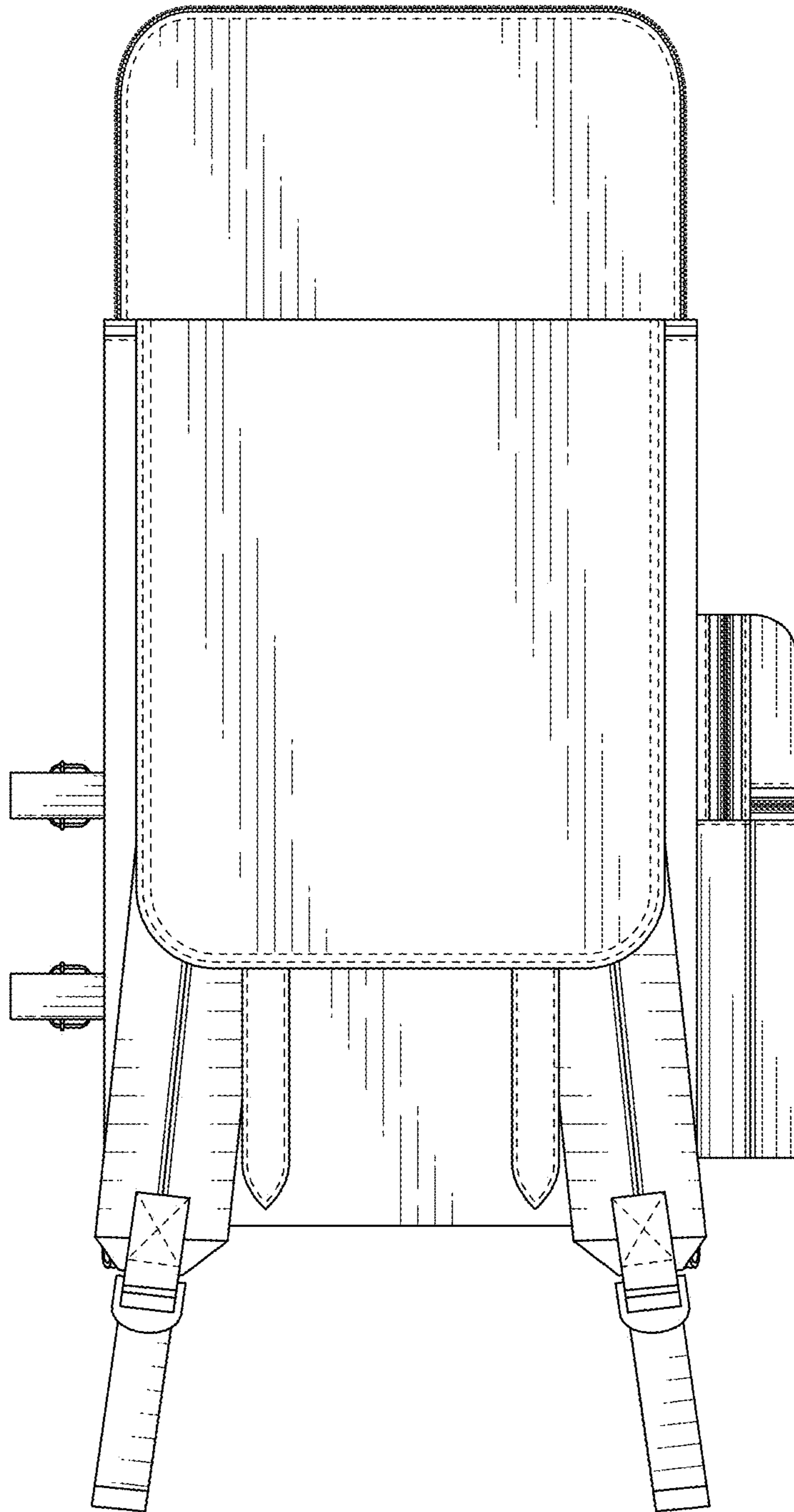


FIG. 10

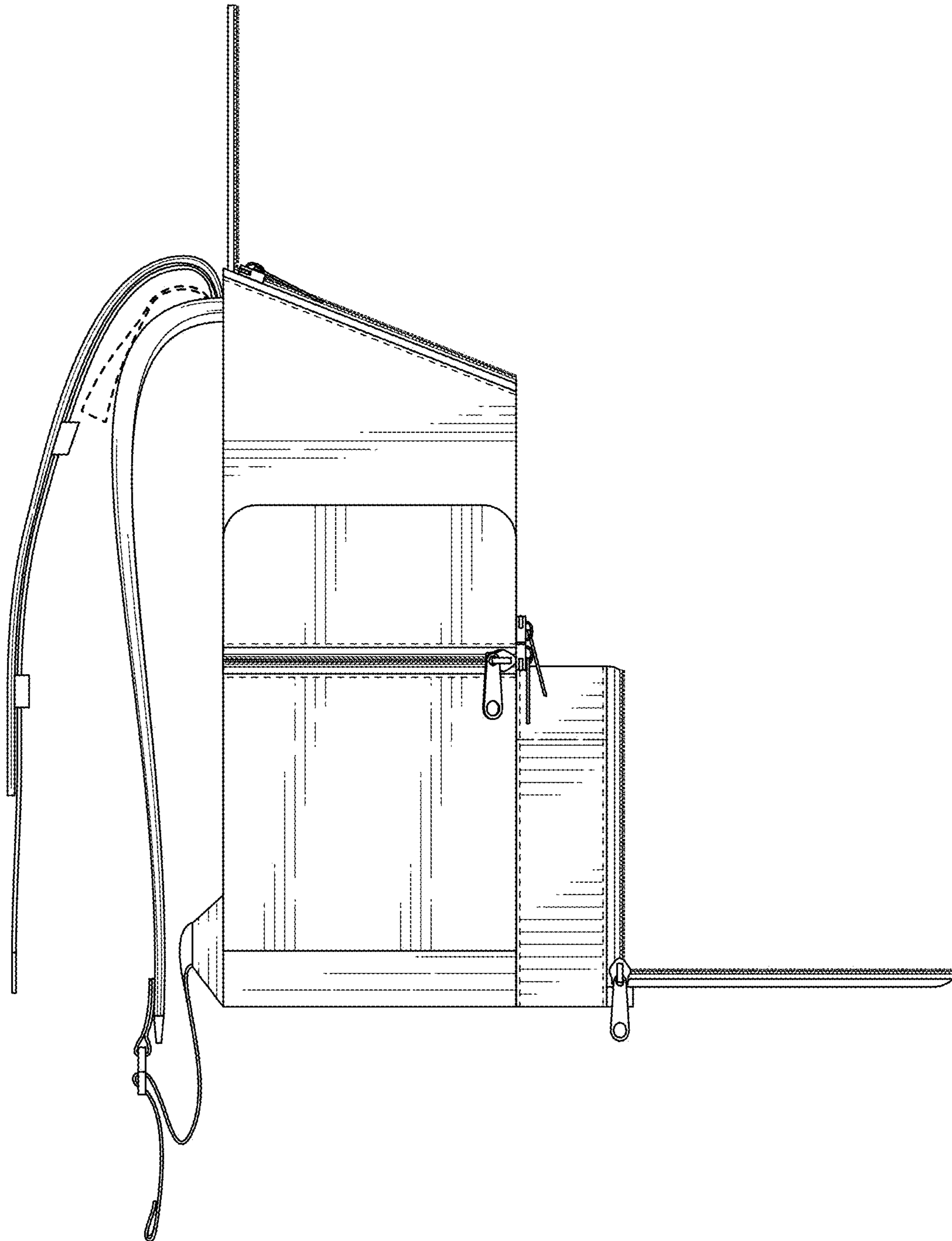


FIG. 11

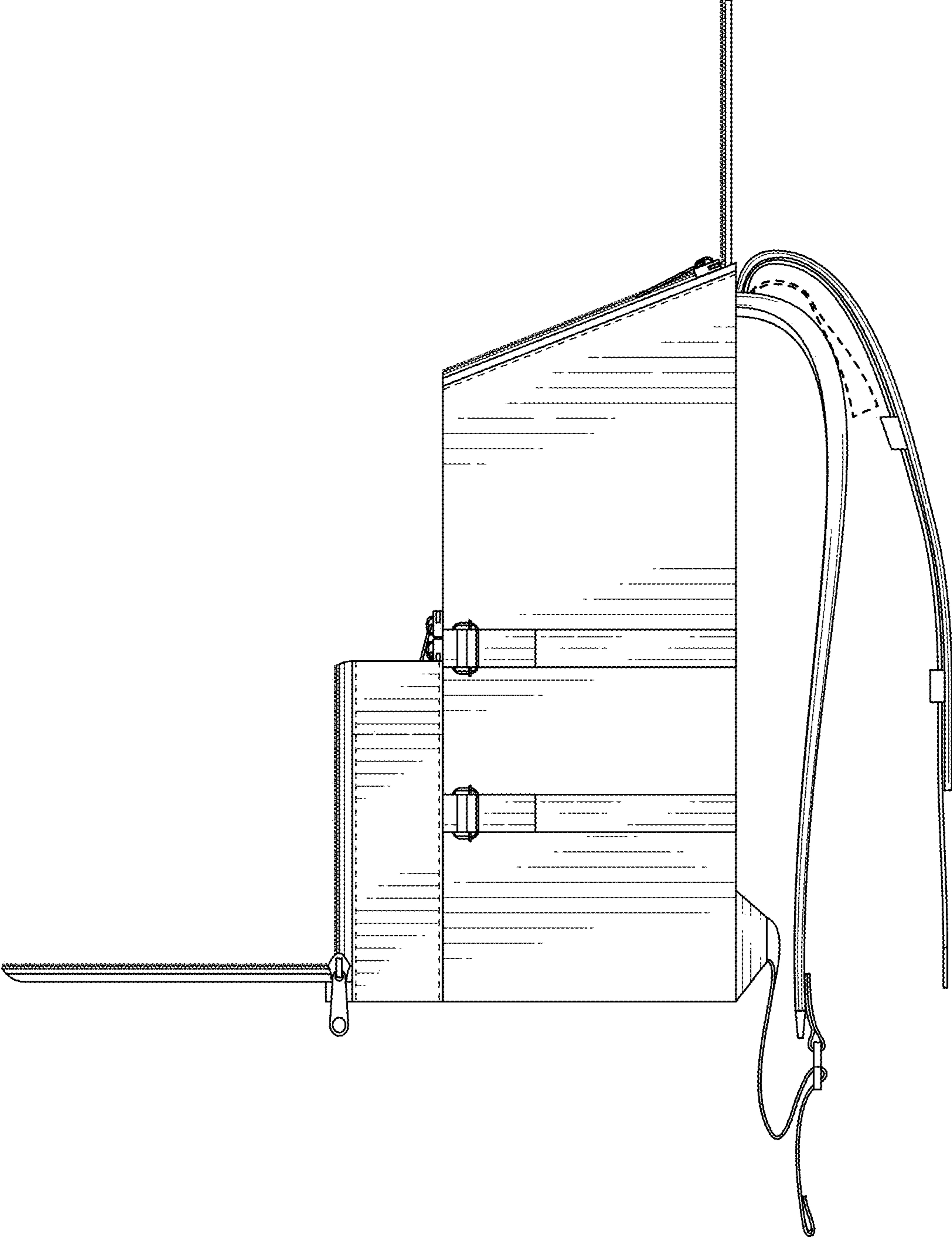


FIG. 12

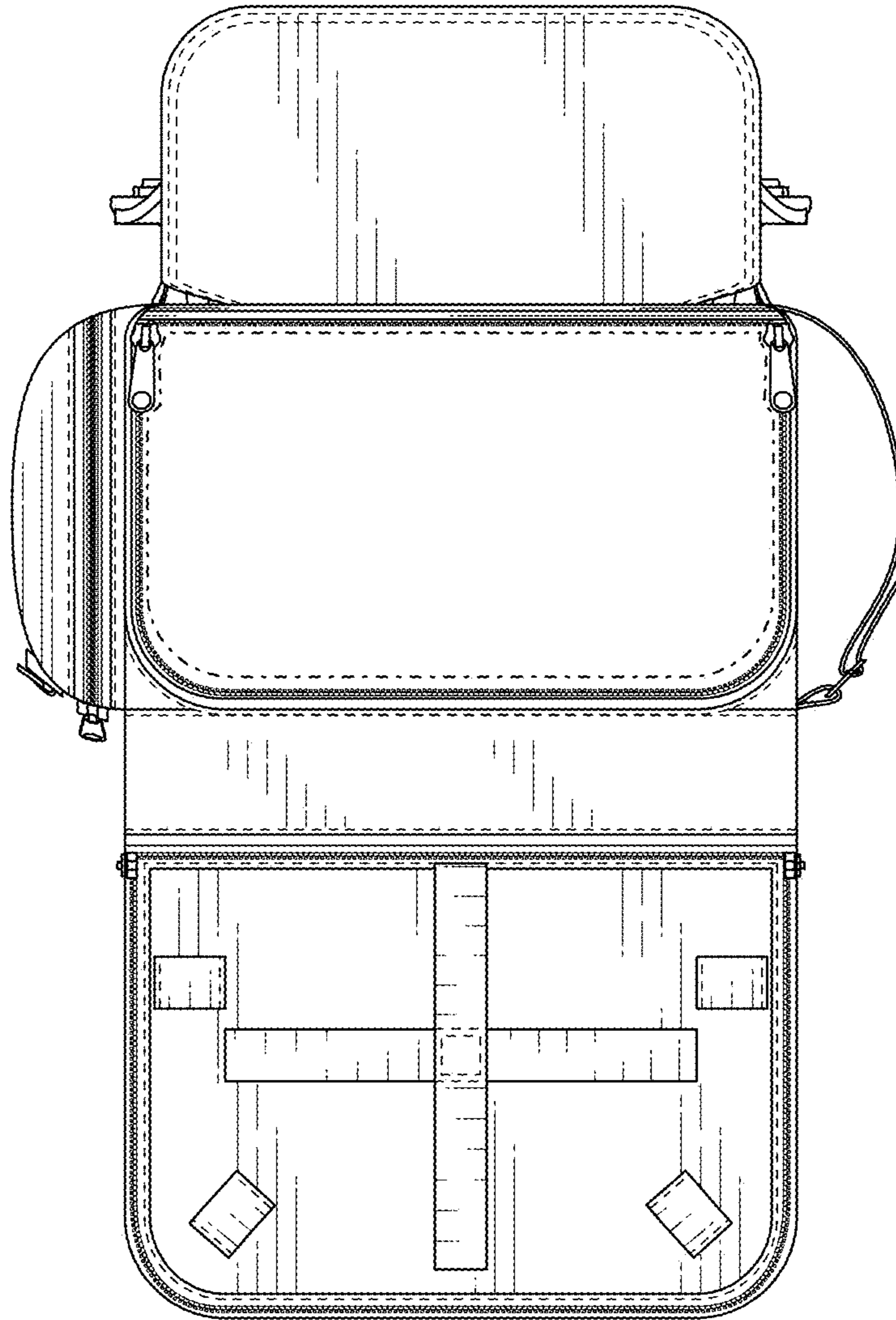


FIG. 13