



US00D964020S

(12) **United States Design Patent**
Laurello

(10) **Patent No.:** **US D964,020 S**

(45) **Date of Patent:** **** Sep. 20, 2022**

(54) **HANDCUFF CASE**

(71) Applicant: **Michael Laurello**, Cleveland, OH (US)

(72) Inventor: **Michael Laurello**, Cleveland, OH (US)

(**) Term: **15 Years**

(21) Appl. No.: **29/744,871**

(22) Filed: **Jul. 31, 2020**

(51) **LOC (13) Cl.** **03-01**

(52) **U.S. Cl.**

USPC **D3/215**

(58) **Field of Classification Search**

USPC D3/203.1, 205–212, 215, 226–230, 233,
D3/247, 249–250, 269, 276, 282,
D3/293–294, 300, 303, 318, 321–322,
D3/905

CPC A45C 11/00; B65H 75/40; F41C 33/02;
F41B 13/04

See application file for complete search history.

(56) **References Cited**

U.S. PATENT DOCUMENTS

3,826,414	A	7/1974	Valadez	
D238,629	S *	2/1976	Tibbetts	D3/226
D291,389	S *	8/1987	Crymes	D3/229
D309,374	S	7/1990	Lightfoot	
D338,106	S	8/1993	Elam	
D387,897	S *	12/1997	Yorke	D3/215
5,918,786	A	7/1999	Wise	
D483,939	S *	12/2003	Kountz	D3/215
D541,524	S *	5/2007	Kha	D3/226
D542,027	S *	5/2007	Kha	D3/226
D543,020	S *	5/2007	Kha	D3/226
D545,812	S *	7/2007	Grady	D14/496
D546,557	S *	7/2007	Thomas	D3/226
D548,957	S *	8/2007	Lowe	D3/229
D564,751	S *	3/2008	Kha	D3/215

D572,003	S *	7/2008	Kha	D3/215
D600,006	S *	9/2009	Lau	D3/229
7,866,515	B1 *	1/2011	Buis, III	F41C 33/041 224/198

2005/0115997 A1 6/2005 Nouvel De La Fleche

OTHER PUBLICATIONS

Cool Guy Duty Cuff Pouch, review posted on Feb. 14, 2022, vdmsr.com [online], [site visited Apr. 4, 2022], Available at URL: <http://www.vdmsr.com/2022/02/cool-guy-duty-cuff-pouch.html> (Year: 2022).*

Universal Handcuff Holster, unknown first available date, ethossurvival.us [online], [site visited Apr. 4, 2022], Available at URL: <https://www.ethossurvival.us/listing/400723669/universal-handcuff-holster-handcuff-case> (Year: 2022).*

(Continued)

Primary Examiner — Michelle E. Wilson

Assistant Examiner — Caitlin A Laverty

(74) *Attorney, Agent, or Firm* — Rankin, Hill & Clark

(57) **CLAIM**

The ornamental design for a handcuff case, as shown and described.

DESCRIPTION

FIG. 1 is a front right side perspective view of a handcuff case;

FIG. 2 is a front view of the handcuff case;

FIG. 3 is rear view of the handcuff case;

FIG. 4 is bottom view of the handcuff case;

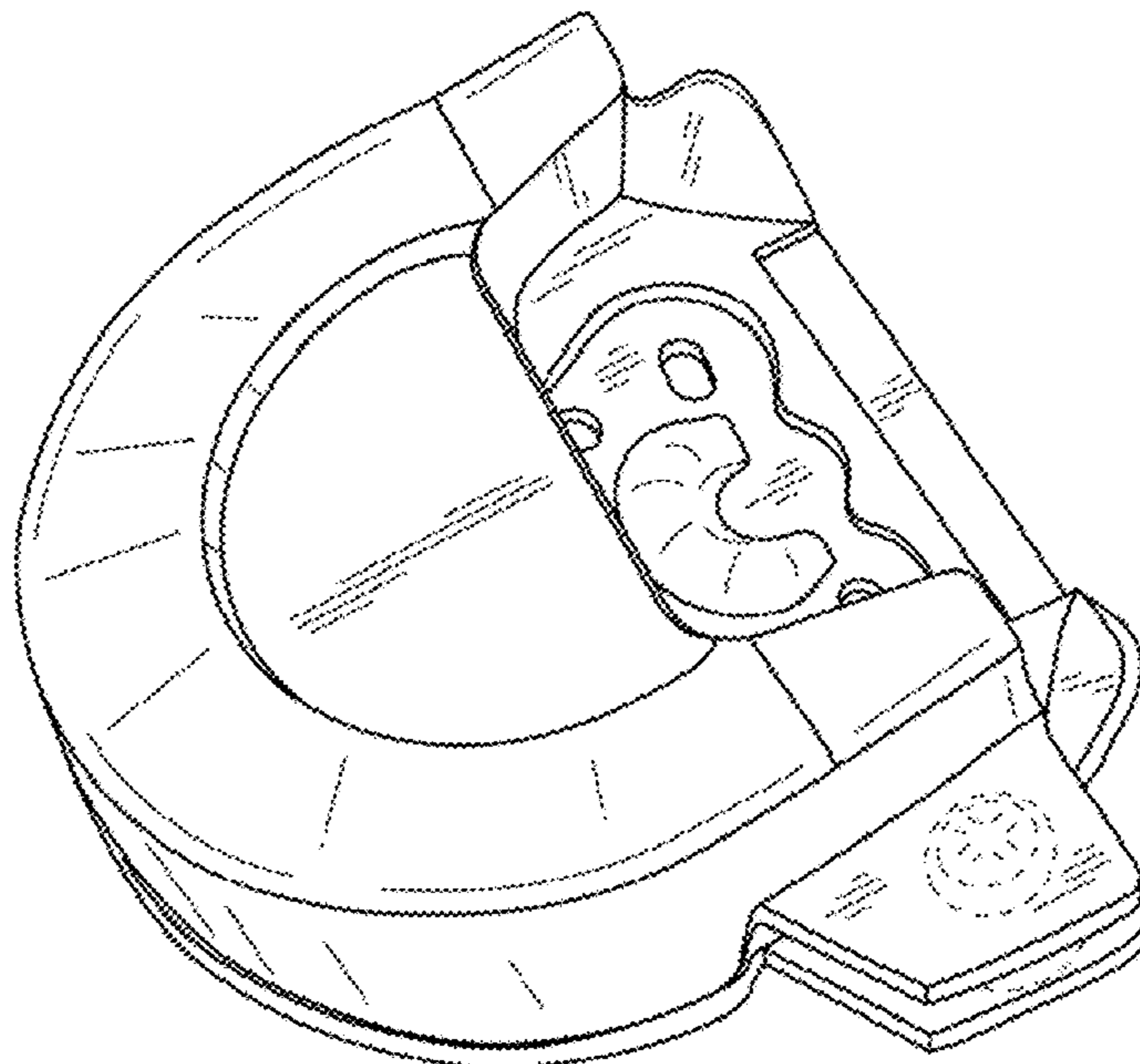
FIG. 5 is a top view of the handcuff case;

FIG. 6 is a right side view of the handcuff case; and,

FIG. 7 is a left side view of the handcuff case.

The features shown in broken lines in the various figures are for illustrating environmental structure and form no part of the claimed design.

1 Claim, 4 Drawing Sheets



(56)

References Cited

OTHER PUBLICATIONS

Luiton Open Cuff Case Quick Release Cuff Holder for Duty Belt Handcuff Holder Law Enforcement Military Standard Cuff Pouch with Belt Loop <https://www.amazon.com/LUITON-Handcuff-Enforcement-Military-Standard/dp/B07VSL5C3P>.

Case-Tech Bikini Handcuff Case https://case-tech.com/cart/product_info.php?products_id=221.

Lyons Tactical, Duty Belts: The Complete Guide to a Police Officer's Loadout [2019] <https://www.lyonstactical.com/blogs/living-the-tactical-survival-life/duty-belts-the-complete-guide-to-a-police-officer-s-loadout-2019>.

Mad City Outdoor Gear, Voodoo Tactical Molle Handcuff Case <https://www.madcityoutdoor.com/collections/molle-handcuff-pouches/products/voodoo-tactical-molle-handcuff-case>.

Pinterest, Leather Handcuff Holder with Belt Loops <https://www.pinterest.com/pin/670614200738104644/>.

Aker Open Top Handcuff Case Duty Belt Accessories <https://akerleather.com/accessories/handcuff-cases/502/open-top-handcuff-case.html>.

* cited by examiner

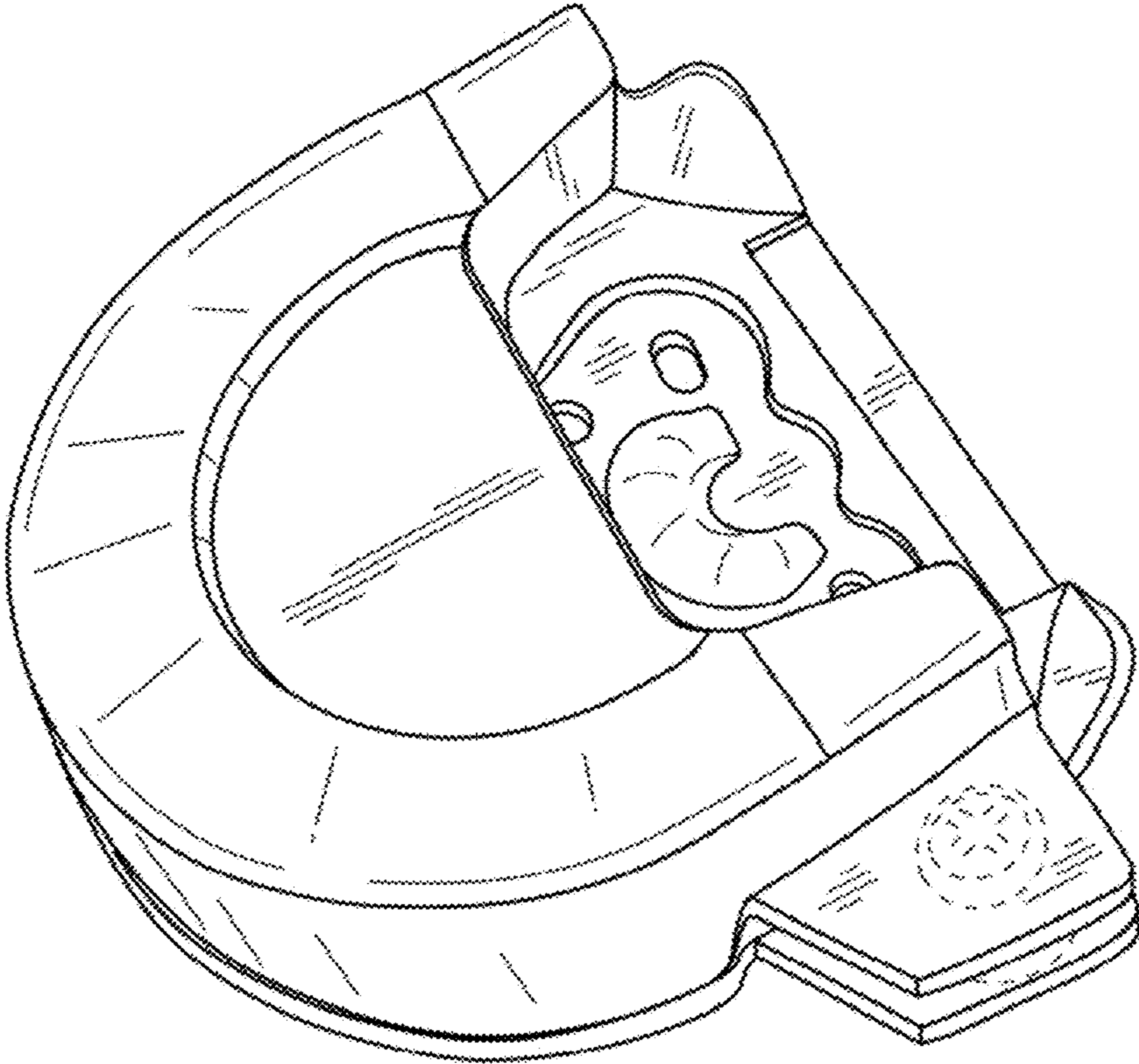


FIG. 1

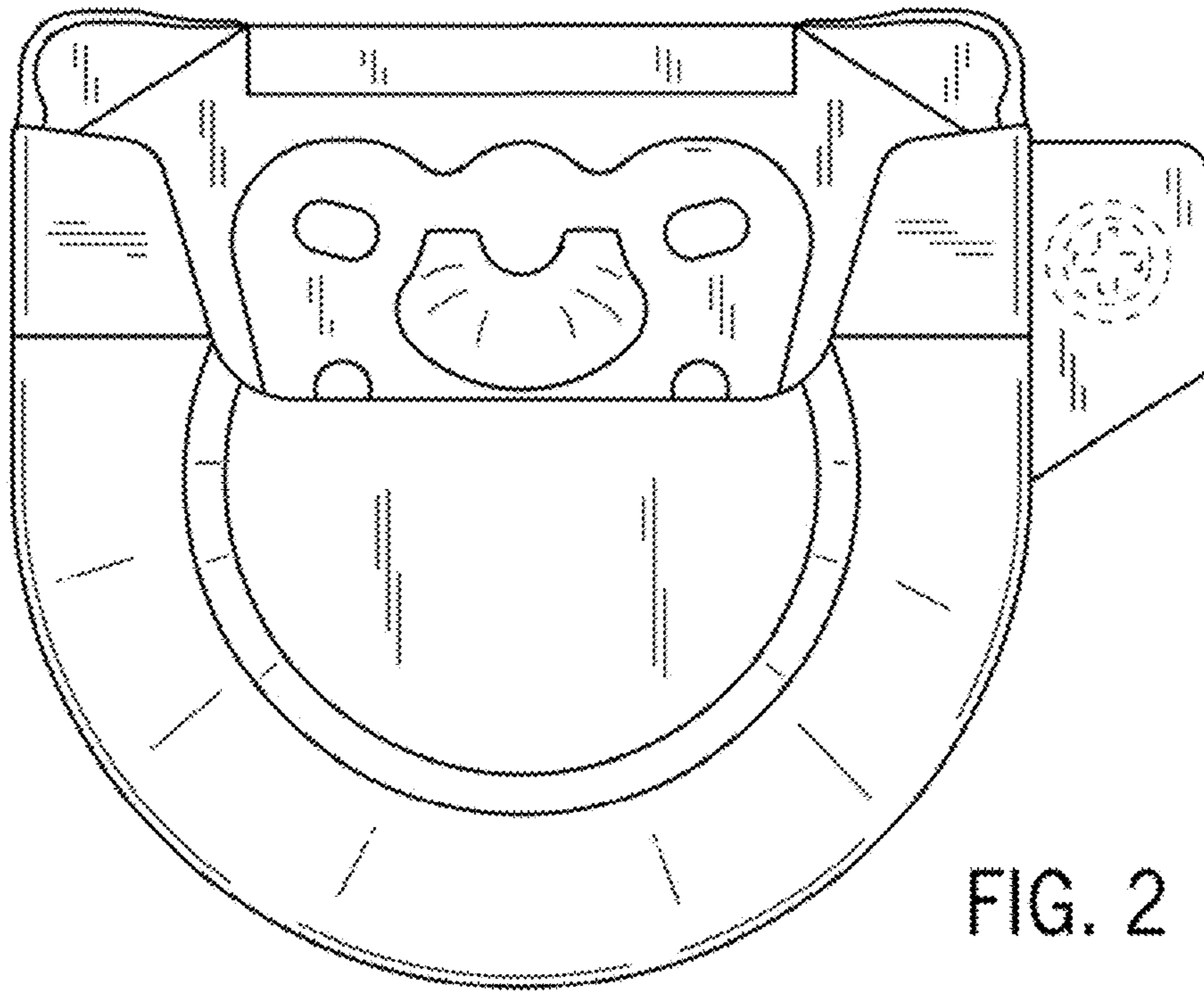


FIG. 2

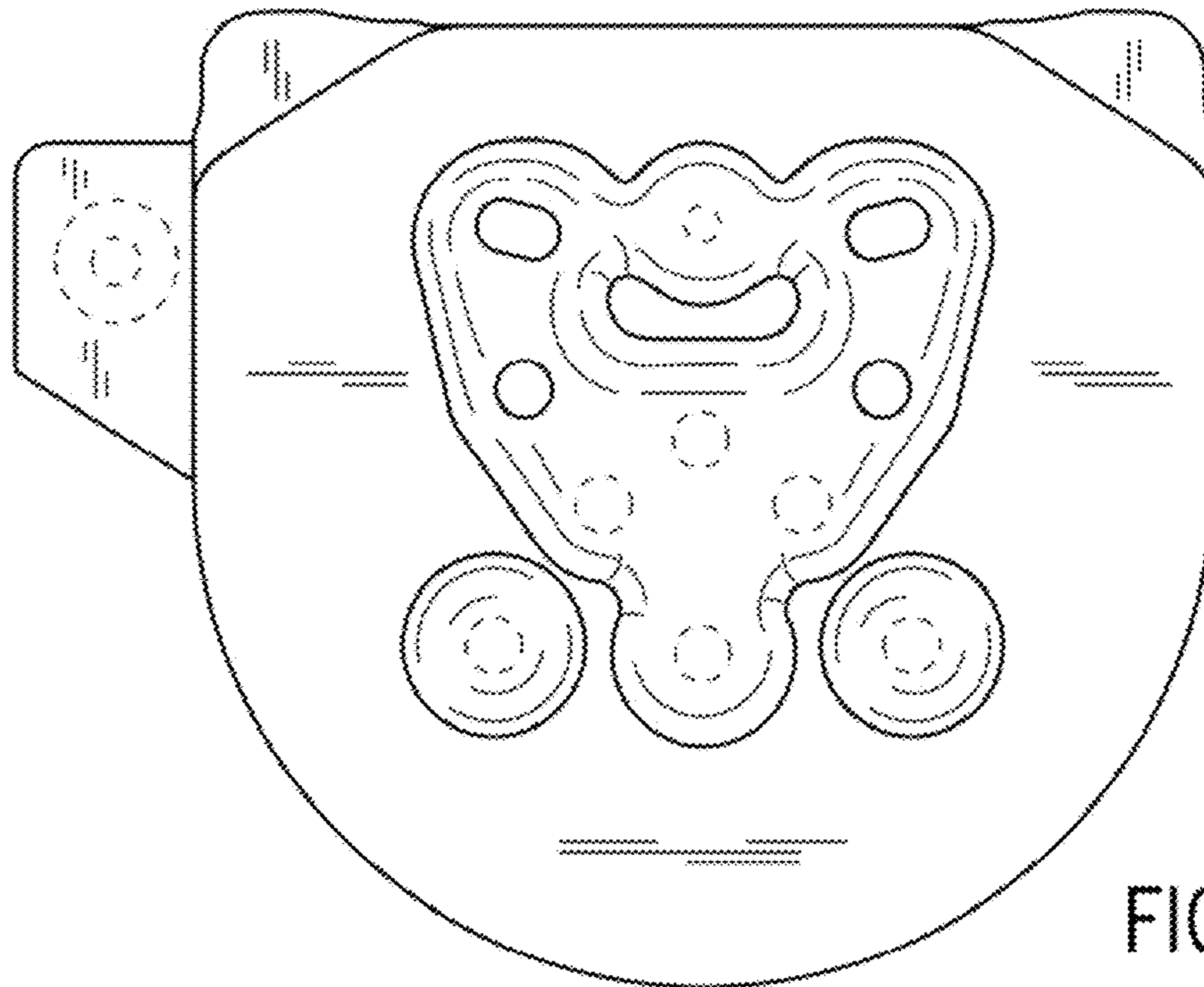


FIG. 3

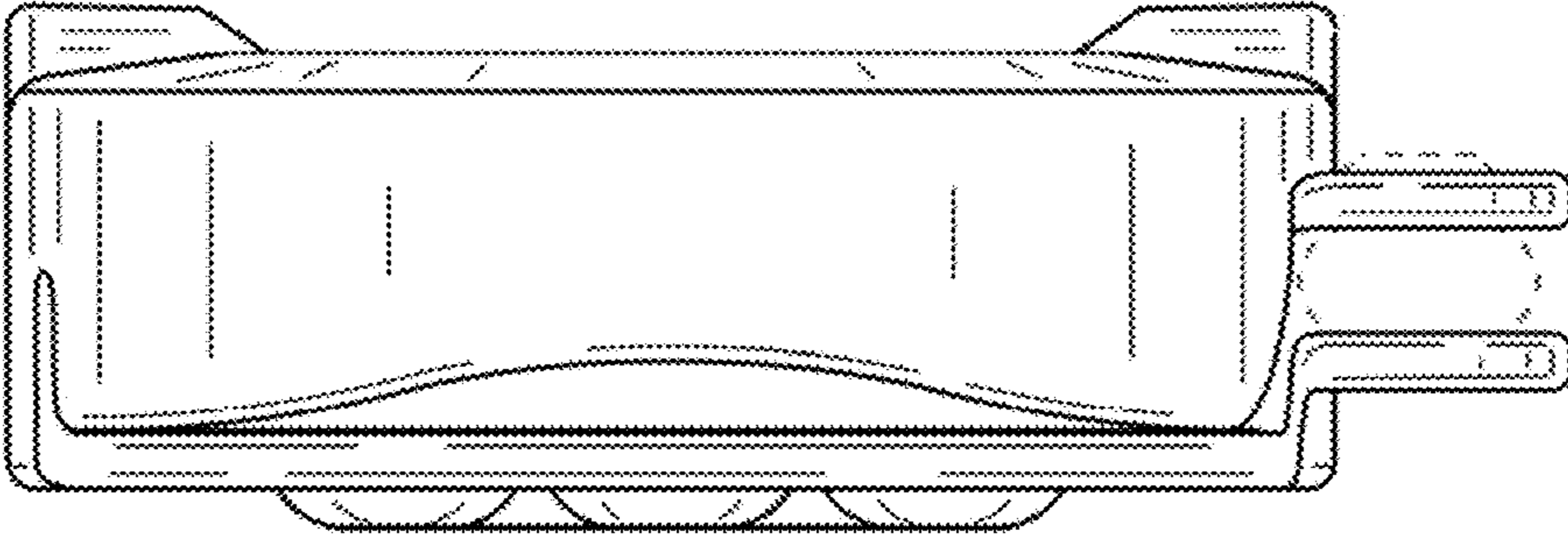


FIG. 4

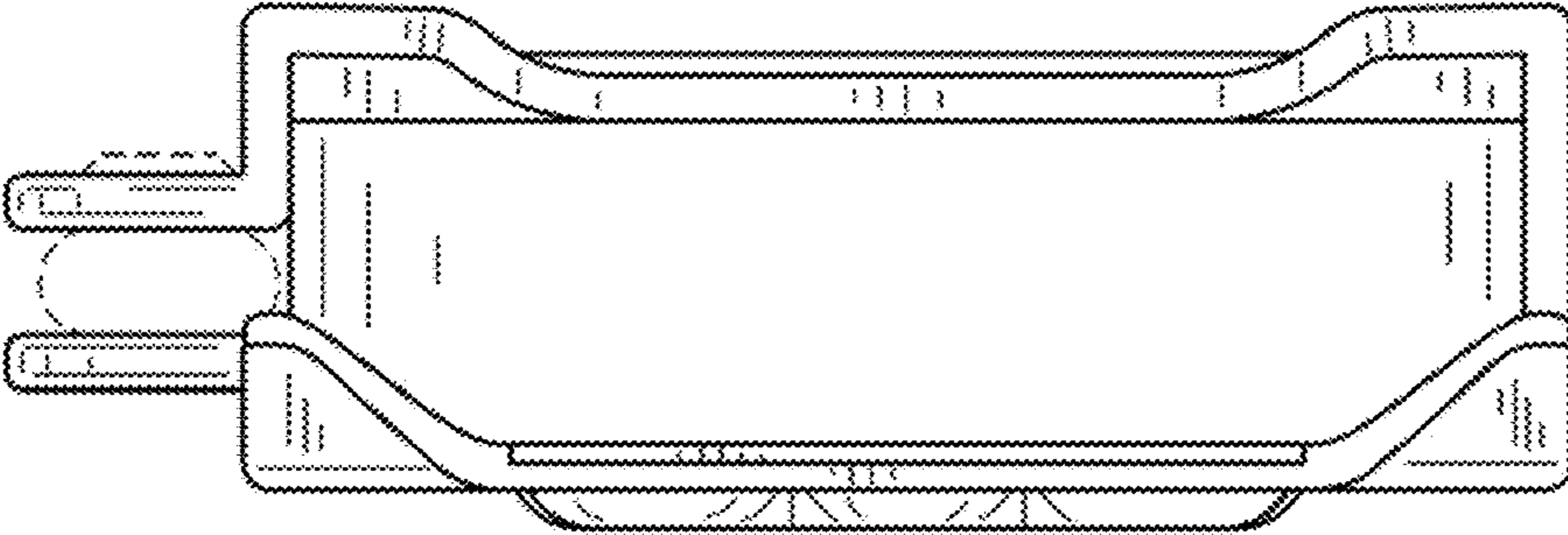


FIG. 5

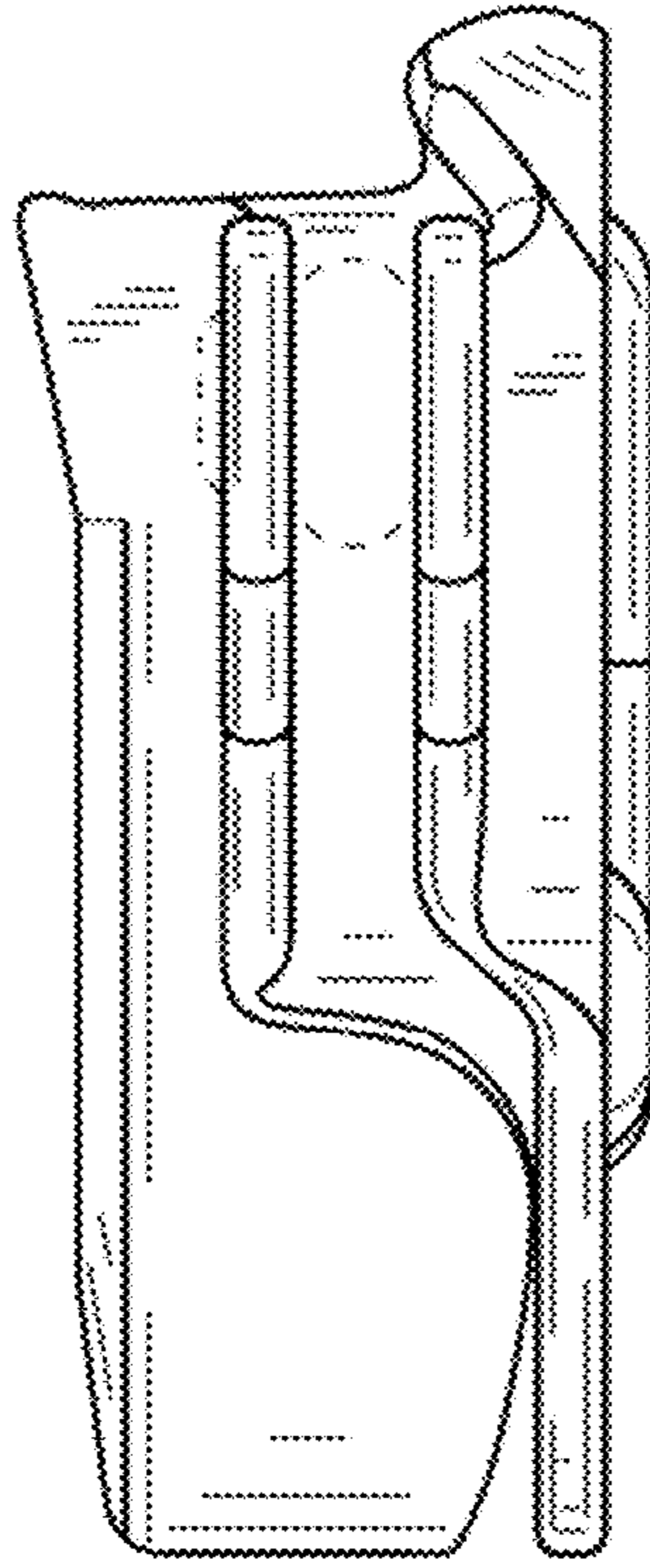


FIG. 6

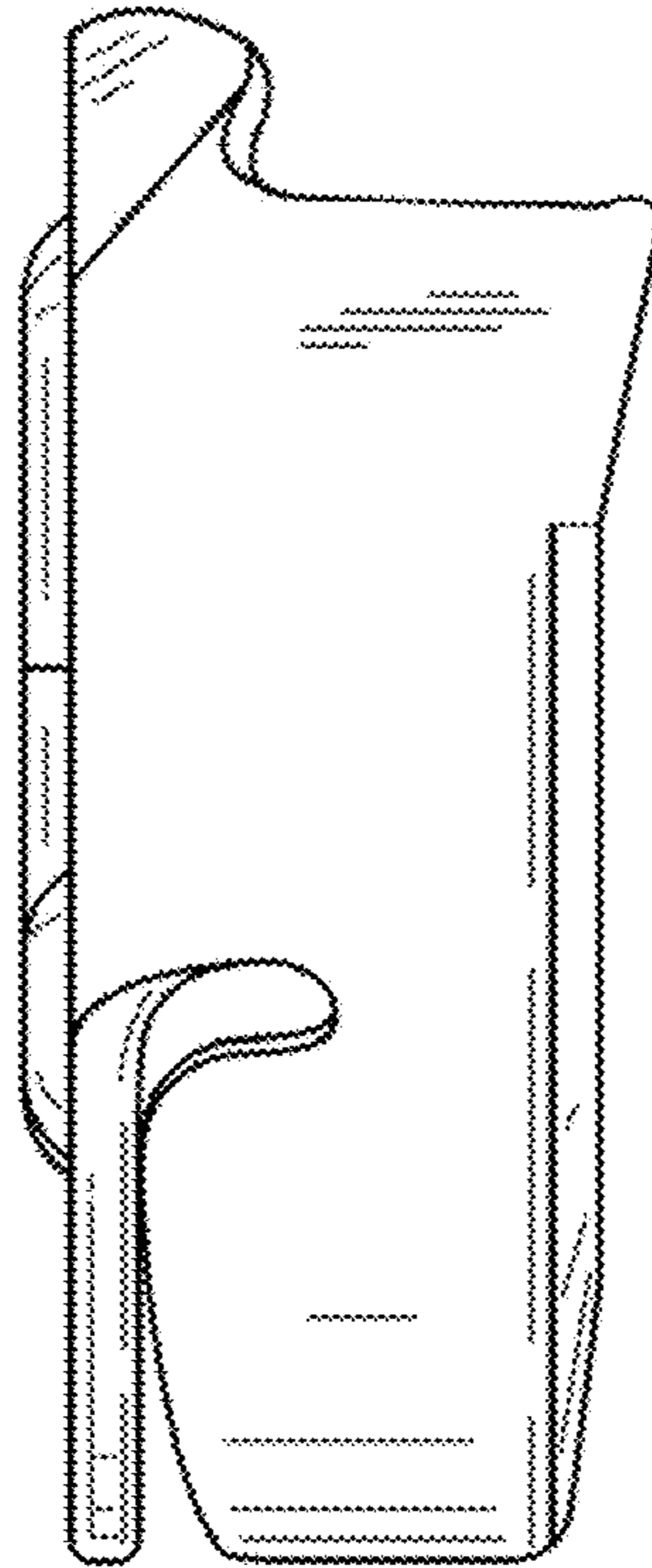


FIG. 7