

US00D964016S

(12) **United States Design Patent**  
**Chen**

(10) **Patent No.:** **US D964,016 S**  
(45) **Date of Patent:** **\*\* Sep. 20, 2022**

(54) **MEDICATION CASE**

(71) Applicant: **Changsha Yuwen Network Technology Co., Ltd.**, Changsha (CN)

(72) Inventor: **Junyuan Chen**, Changsha (CN)

(73) Assignee: **Haikou Lili Investment Co., Ltd.**, Haikou (CN)

(\*\*) Term: **15 Years**

(21) Appl. No.: **29/773,505**

(22) Filed: **Mar. 10, 2021**

(30) **Foreign Application Priority Data**

Dec. 28, 2020 (CN) ..... 202030809015.9

(51) **LOC (13) Cl.** ..... **03-01**

(52) **U.S. Cl.**  
USPC ..... **D3/203.3**

(58) **Field of Classification Search**

USPC ..... D3/201, 202, 203.1, 203.2, 203.3, 203.4, D3/203.5, 203.6, 203.7, 203.8, 204–212, D3/263–267, 270, 271.1, 273–275, 294, D3/295, 302, 901; D7/601, 602, D7/608–611, 614, 615, 637–639, D7/701–703; D9/600, 715, 717, 737, D9/756, 763, 766–773, 781, 782, 499; D14/203.4, 203.5, 203.6, 204, 205, D14/509–511; D24/224–227

(Continued)

(56) **References Cited**

**U.S. PATENT DOCUMENTS**

D278,513 S \* 4/1985 Ebeling ..... D9/600  
D321,788 S \* 11/1991 Chen ..... D3/905

(Continued)

**FOREIGN PATENT DOCUMENTS**

CN 305229543 \* 6/2019  
CN 307185152 \* 3/2022

(Continued)

**OTHER PUBLICATIONS**

Ezy Dose Weekly Pill Organizer, available at amazon.com, earliest date available Nov. 30, 2006 [online], site visited Jun. 22, 2022, available from the internet URL: <https://www.amazon.com/EZY-DOSE-Organizer-Assorted-67009/dp/B000BD0Y16> (Year: 2006).\*

(Continued)

*Primary Examiner* — Messina L Smith

*Assistant Examiner* — Jillian Mazzola

(74) *Attorney, Agent, or Firm* — IPro, PLLC; Na Xu

(57) **CLAIM**

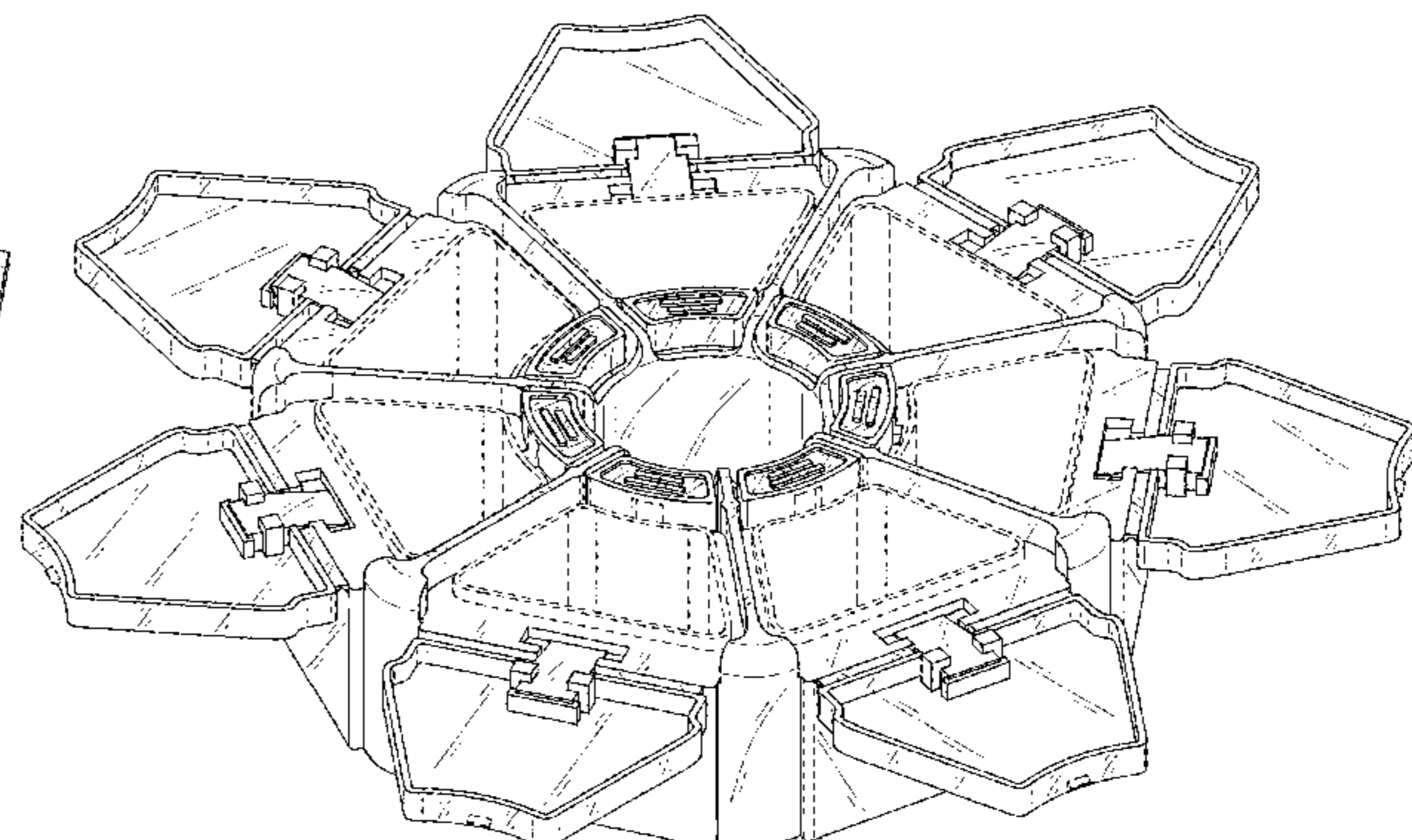
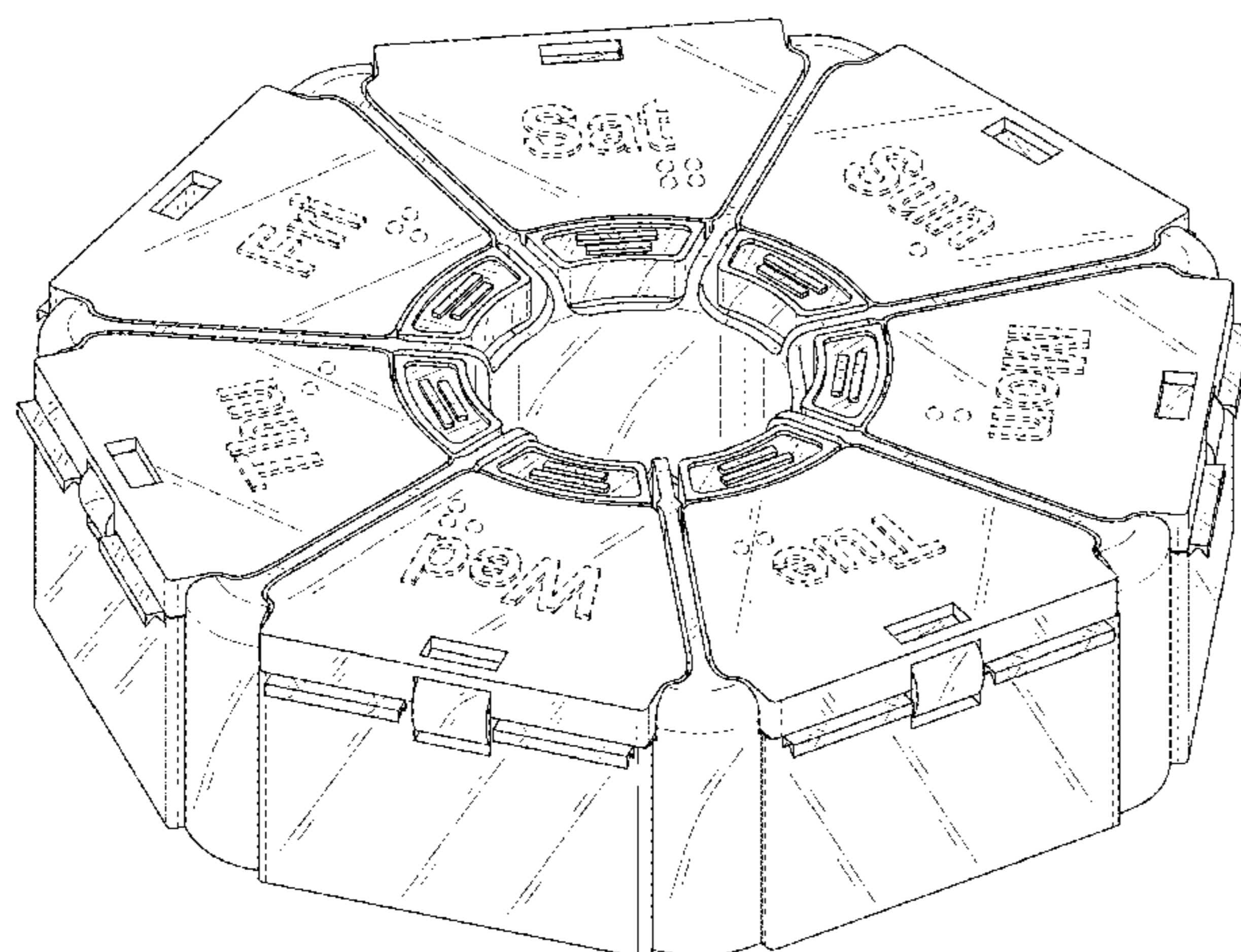
The ornamental design for a medication case, as shown and described.

**DESCRIPTION**

FIG. 1 is a top perspective view of a medication case showing the new design; FIG. 2 is a bottom perspective view of the medication case; FIG. 3 is a front view of the medication case; FIG. 4 is a rear view of the medication case; FIG. 5 is a left side view of the medication case; FIG. 6 is a right side view of the medication case; FIG. 7 is a top view of the medication case; FIG. 8 is a bottom view of the medication case; and, FIG. 9 is a top perspective view of the medication case in its open state.

The broken lines in the drawings depict portions of the medication case that form no part of the claimed design. The oblique shading lines show a transparent or semi-transparent surface, and not surface ornamentation.

**1 Claim, 9 Drawing Sheets**



(58) **Field of Classification Search**

CPC ..... A45C 11/00; A45C 11/005; A45C 11/008;  
 A45C 11/02; A45C 11/04; A45C 11/043;  
 A45C 11/046; A45C 11/06; A45C 11/08;  
 A45C 11/10; A45C 11/12; A45C 11/14;  
 A45C 11/16; A45C 11/18; A45C  
 2011/001; A45C 2011/002; A45C  
 2011/003; A45C 2011/006; A45C  
 2011/007

See application file for complete search history.

(56) **References Cited**

U.S. PATENT DOCUMENTS

D342,671	S	*	12/1993	Elliott	.....	D3/203.4
D451,666	S	*	12/2001	Zastrow	.....	D3/203.3
D458,016	S	*	6/2002	Christianson	.....	D3/203.4
D463,102	S	*	9/2002	Rosado	.....	D3/203.3
D488,618	S	*	4/2004	Wekstein	.....	D3/203.3
D515,874	S	*	2/2006	Aalberts	.....	D7/602
D546,062	S	*	7/2007	Tate	.....	D3/291
D563,095	S	*	3/2008	Sabbag	.....	D3/203.3
D600,441	S	*	9/2009	Estrada	.....	D3/203.3
D618,063	S	*	6/2010	Davies	.....	D7/614
D663,113	S	*	7/2012	Simms	.....	D3/203.3
D670,178	S	*	11/2012	Carson	.....	D9/425
D698,866	S	*	2/2014	Abdullah	.....	D19/77
D717,038	S	*	11/2014	Lee	.....	D3/203.3
D746,046	S	*	12/2015	Lee	.....	D3/203.3
D795,577	S	*	8/2017	Brown-Gayles	.....	D3/901

D855,971	S	*	8/2019	Moskowitz	.....	D3/203.1
D943,268	S	*	2/2022	Guo	.....	D3/203.4
2005/0269237	A1	*	12/2005	Tung	.....	A61J 7/04 206/533

FOREIGN PATENT DOCUMENTS

GB	6124743	*	3/2021
GB	6194169	*	2/2022

OTHER PUBLICATIONS

Large Weekly Pill Organizer, available at amazon.com, earliest date available Dec. 31, 2021 [online], site visited Jun. 22, 2022, available from the internet URL: <https://www.amazon.com/Organizer-KAPENS-Compartments-Containers-Supplements/dp/B09PG47W8Q?th=1> (Year: 2021).\*

Ziivard 5 Pieces 8 Grid Round Clear Plastic Storage Organizer, available at amazon.com, earliest date available Oct. 22, 2020 [online], site visited Jun. 22, 2022, available from the internet URL: <https://www.amazon.com/ZIIVARD-Plastic-Storage-Organizer-Divider/dp/B08LMXX4PZ/> (Year: 2020).\*

MEDca Weekly Pill Organizer, available at amazon.com, earliest date available Mar. 16, 2018 [online], site visited Jun. 22, 2022, available from the internet URL: <https://www.amazon.com/MEDca-Weekly-Organizer-7-Sided-Reminder/dp/B01N4KDHPK> (Year: 2018).\*

Auvon Weekly Pill Organizer, available at amazon.com, earliest date available Aug. 6, 2021 [online], site visited Jun. 23, 2022, available from the internet URL: [https://www.amazon.com/dp/B09C2HMZ4X/ref=emc\\_b\\_5\\_t](https://www.amazon.com/dp/B09C2HMZ4X/ref=emc_b_5_t) (Year: 2021).\*

\* cited by examiner

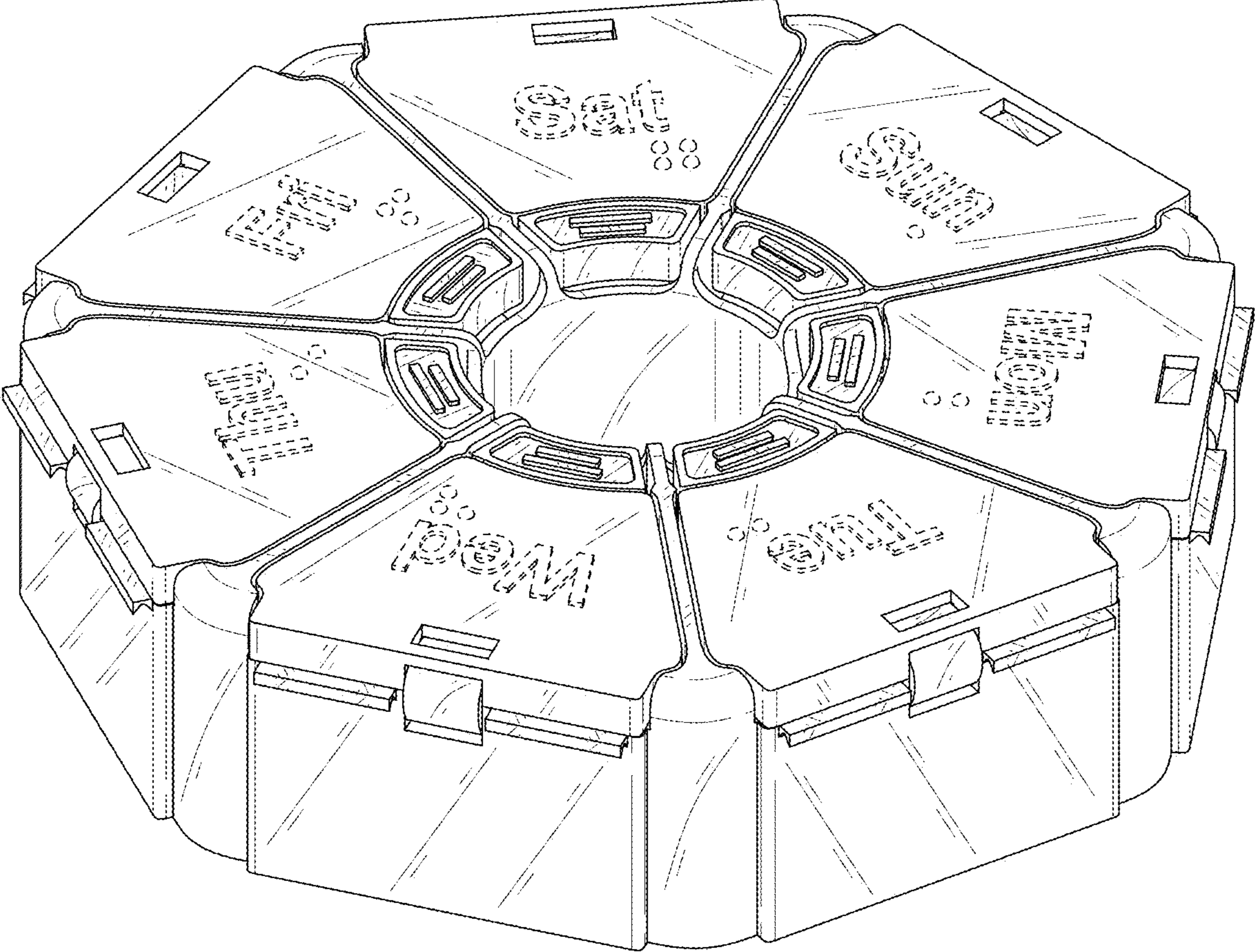


FIG. 1

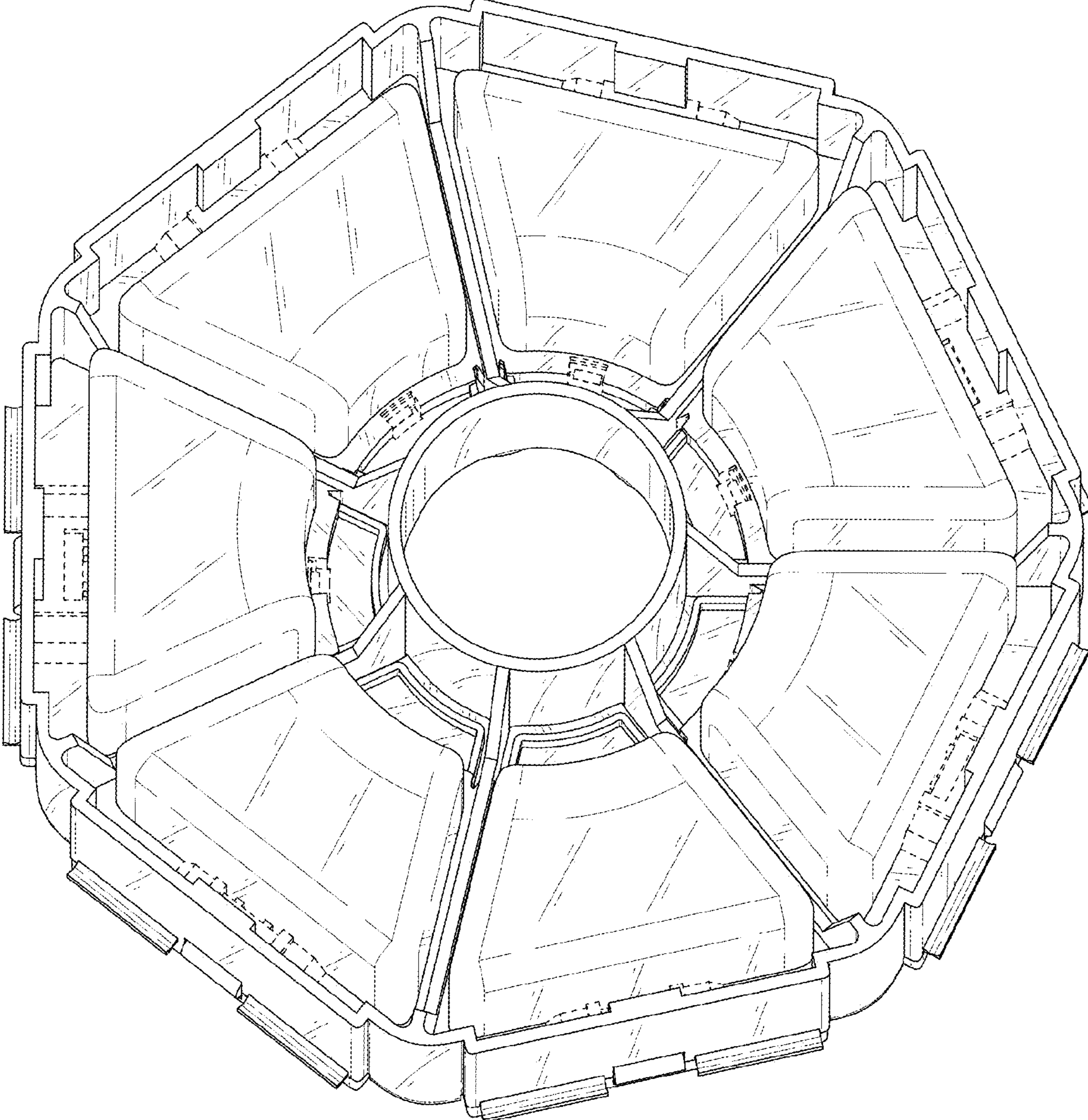


FIG. 2

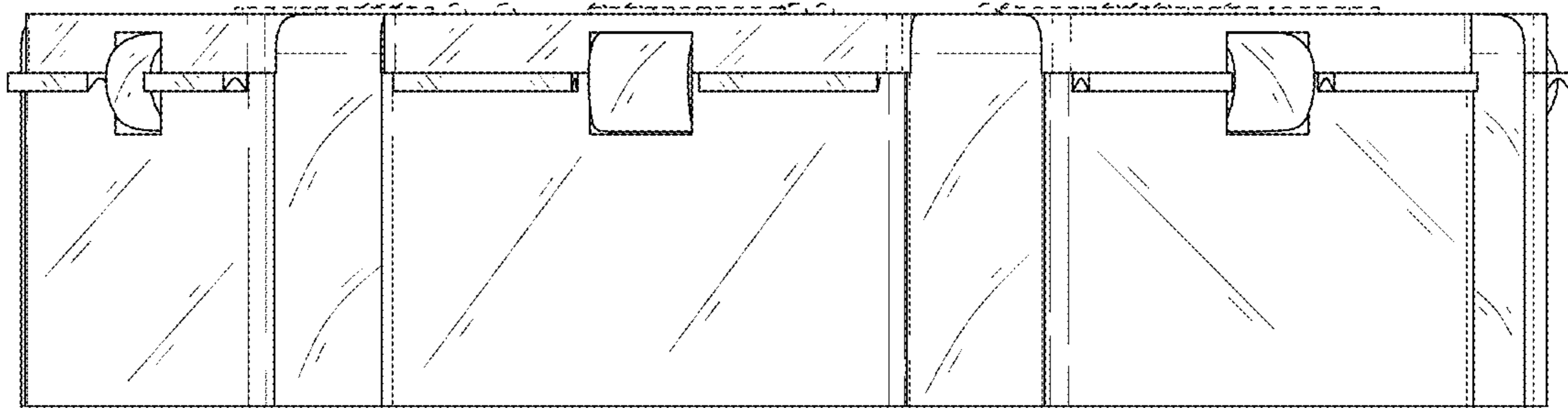


FIG. 3

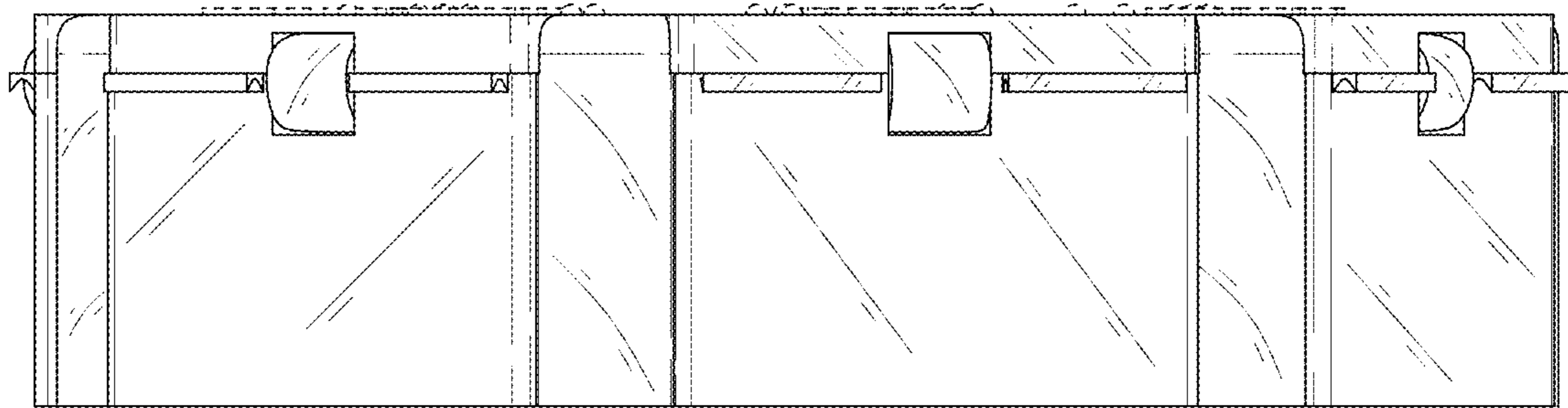


FIG. 4

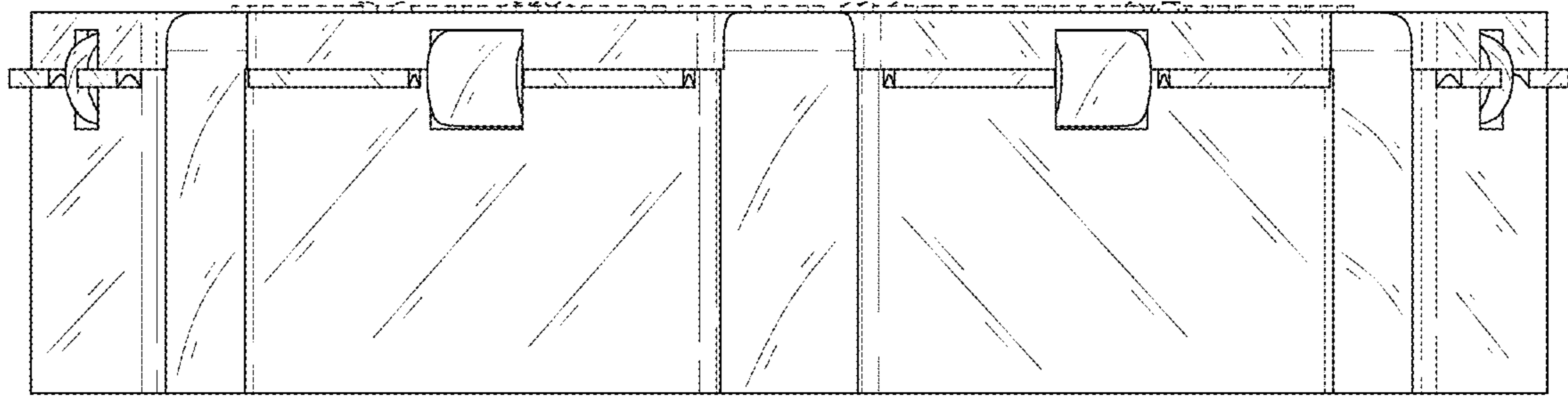


FIG. 5

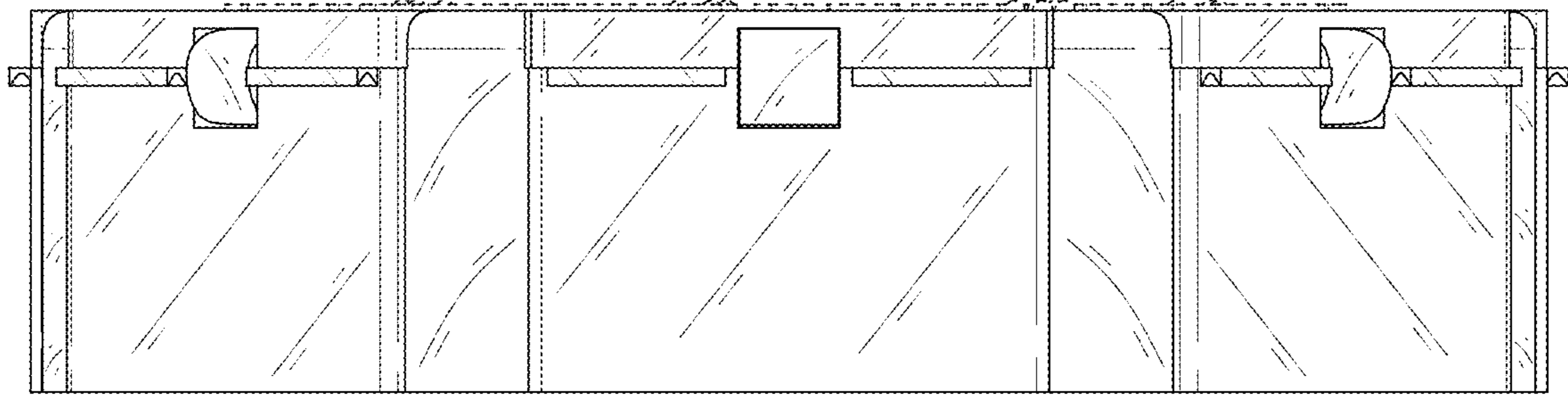


FIG. 6



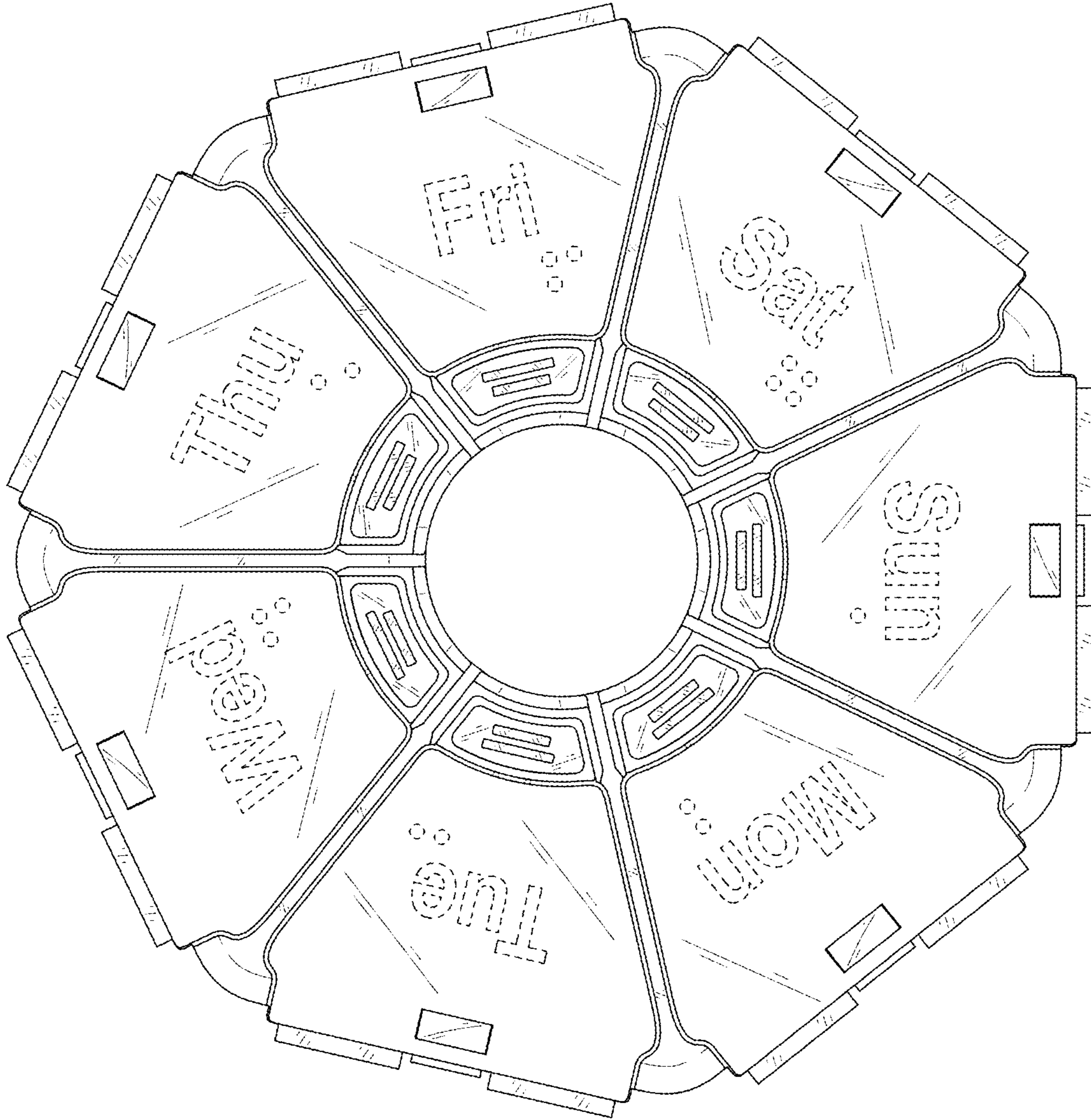


FIG. 7

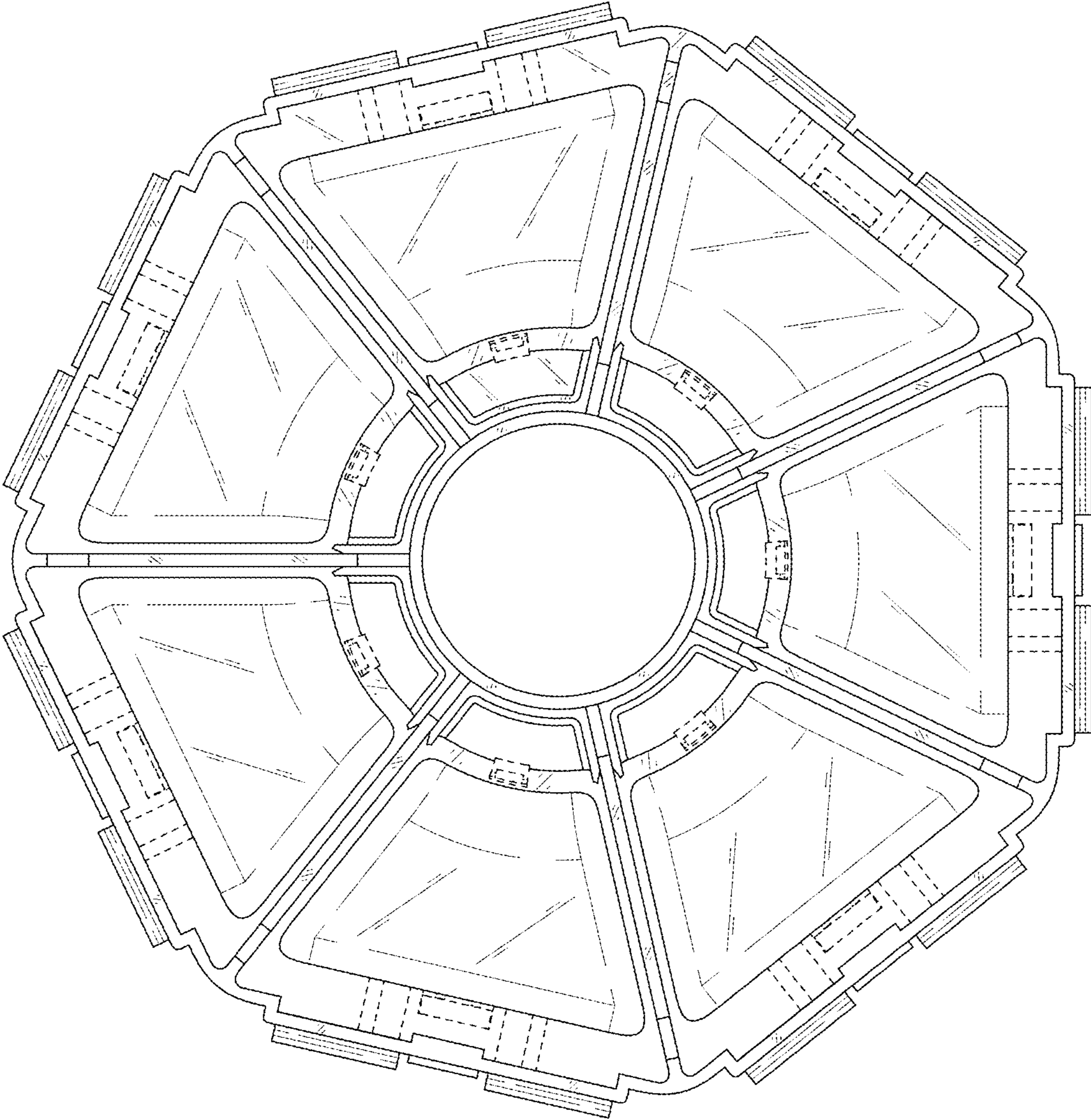


FIG. 8

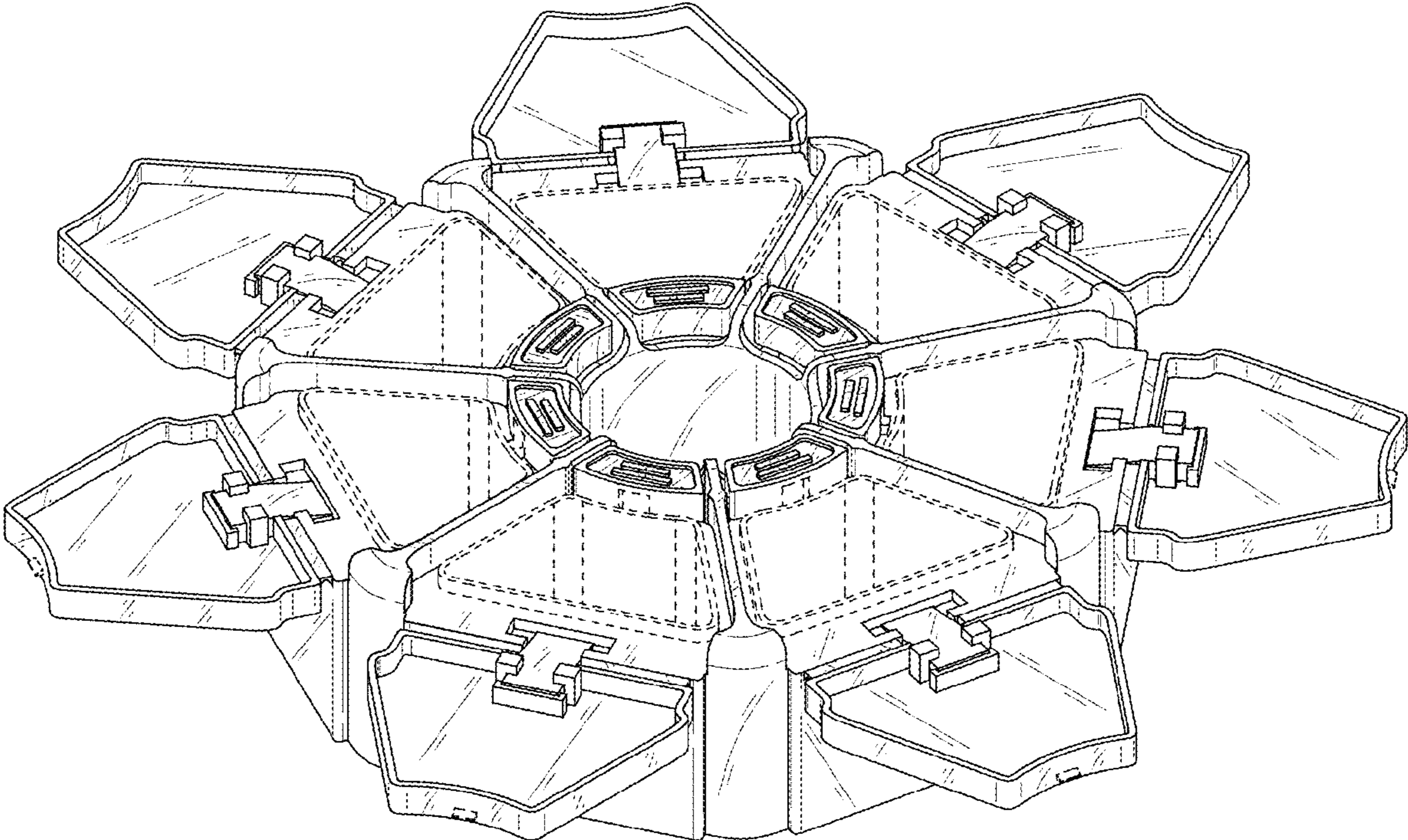


FIG. 9