

US00D964006S

(12) **United States Design Patent**
Dunham

(10) **Patent No.:** **US D964,006 S**

(45) **Date of Patent:** **** Sep. 20, 2022**

(54) **FOOTWEAR**

(71) Applicant: **Target Brands, Inc.**, Minneapolis, MN
(US)

(72) Inventor: **Austyn Dunham**, Minneapolis, MN
(US)

(73) Assignee: **Target Brands, Inc.**, Minneapolis, MN
(US)

(**) Term: **15 Years**

(21) Appl. No.: **29/754,483**

(22) Filed: **Oct. 12, 2020**

(51) **LOC (13) Cl.** **02-04**

(52) **U.S. Cl.**
USPC **D2/970**; D2/910; D2/972

(58) **Field of Classification Search**
USPC D2/896, 901–904, 906, 908, 909–912,
D2/916, 918–921, 923, 924, 925,
D2/928–929, 946–962, 969, 970–974,
D2/977, 978, 900, 943; 36/83, 1.5, 2 R,
36/109, 3 A, 7.1 R, 45, 52, 36, 112, 100,
36/7.3, 89, 102, 113, 114, 116, 50.1
CPC A43B 23/00; A43B 23/02; A43B 23/0205;
A43B 23/021; A43B 23/0215; A43B
23/022; A43B 23/025; A43B 23/0255;
A43B 23/0295; A43B 23/04; A43B
23/042; A43B 23/085; A43B 23/082;
A43B 3/02; A43B 3/06; A43B 3/002;
A43B 3/04; A43B 3/0496

See application file for complete search history.

(56) **References Cited**

U.S. PATENT DOCUMENTS

D101,541 S * 10/1936 Kroop D2/910
D410,322 S * 6/1999 Davidowitz D2/910
6,665,954 B2 * 12/2003 Chen A43B 23/047
36/3 R
D499,233 S * 12/2004 Sedlbauer D2/910

D505,254 S * 5/2005 Link A43B 23/047
D2/972

D516,285 S 3/2006 Sedlbauer
D517,791 S 3/2006 Sedlbauer
D517,792 S 3/2006 Sedlbauer

(Continued)

FOREIGN PATENT DOCUMENTS

CN 304303265 * 10/2017
GB 9007812680-0003 * 4/2020
JP D1689871 * 7/2021

OTHER PUBLICATIONS

Sorel, Youth Whitney II Short Lace Boot, (Jan. 6, 2020), Amazon.com, [site visited: Feb. 7, 2022], Available from URL: https://www.amazon.com/dp/B08QCGTBWC/ref=cm_sw_em_r_mt_dp_JX7SMY5P7YJJ4VRW3TA7?th=1 (Year: 2020).*

(Continued)

Primary Examiner — T Chase Nelson
Assistant Examiner — Jamillah Khalil Abdullah
(74) *Attorney, Agent, or Firm* — Merchant & Gould P.C.

(57) **CLAIM**

The ornamental design for a footwear, as shown and described.

DESCRIPTION

FIG. 1 is a front, top and right side perspective view of a footwear according to the new design;
FIG. 2 is a front side elevation view thereof;
FIG. 3 is a back side elevation view thereof;
FIG. 4 is a left side elevation view thereof;
FIG. 5 is a right side elevation view thereof; and,
FIG. 6 is a top plan view thereof.

The bold broken lines represent stitching and are part of the claimed design. The remaining broken lines in the drawings show portions that form no part of the claimed design.

1 Claim, 5 Drawing Sheets



(56)

References Cited

U.S. PATENT DOCUMENTS

D524,019 S 7/2006 Matis et al.
 D539,024 S 3/2007 Belley et al.
 D547,540 S 7/2007 Maderspach
 D556,438 S 12/2007 Maderspach
 D575,951 S 9/2008 St-Louis
 D582,651 S 12/2008 Andersen et al.
 D599,539 S 9/2009 St-Louis
 D632,882 S 2/2011 O'Rorke
 D635,345 S * 4/2011 Spring D2/970
 D635,751 S * 4/2011 Spring D2/970
 D639,032 S * 6/2011 Mitchell D2/970
 D639,033 S * 6/2011 Blakeslee D2/912
 D648,929 S 11/2011 Van Zyll De Jong et al.
 D660,570 S 5/2012 Joseph
 D662,304 S 6/2012 Spring
 D664,345 S 7/2012 Joseph
 D667,209 S * 9/2012 Castellon D2/912
 D677,871 S 3/2013 Portzline
 D677,873 S 3/2013 Portzline
 D678,666 S * 3/2013 Portzline D2/912
 D699,932 S 2/2014 Lubart
 D701,024 S 3/2014 Youngs et al.
 D701,372 S 3/2014 Portzline
 D701,375 S * 3/2014 Spring D2/911
 D701,376 S * 3/2014 Spring D2/911
 D701,377 S * 3/2014 Spring D2/912
 D701,381 S * 3/2014 Spring D2/970
 D701,681 S * 4/2014 Spring D2/910
 D701,683 S 4/2014 Neely
 8,959,803 B2 * 2/2015 Pelletier, Jr. A43B 23/26
 36/99
 D728,206 S * 5/2015 Payne D2/951
 D730,037 S * 5/2015 Spring D2/970

D740,534 S 10/2015 Spring
 D754,425 S 4/2016 Deas
 D795,541 S 8/2017 Henrichot et al.
 D812,359 S * 3/2018 Clough D2/910
 D866,934 S 11/2019 Zeng
 D874,808 S 2/2020 Prochmann
 D911,017 S * 2/2021 Gerke D2/973
 D920,653 S * 6/2021 Eckhaus D2/970
 D922,753 S * 6/2021 Kim D2/910
 D927,145 S * 8/2021 Foust D2/970
 D931,592 S * 9/2021 Stefan D2/910
 D949,525 S * 4/2022 Grande D2/970
 D950,920 S * 5/2022 Dunham D2/912
 D950,922 S * 5/2022 Dunham D2/912
 D950,924 S * 5/2022 Dunham D2/970

OTHER PUBLICATIONS

Rockmark, Men's Winter Waterproof Snow Hiking Boots, (Aug. 28, 2020), Amazon.com, [site visited: Feb. 7, 2022], Available from URL: https://www.amazon.com/dp/B08GYCJ1N9/ref=cm_sw_em_r_mt_dp_QADAJ539W77AK29BV945?_encoding=UTF8&pvc=1 (Year: 2020).*

All in Motion, Men's Jordan Waterproof Winter Boots, (2021), Target.com, [site visited: Feb. 7, 2022], Available from URL: <https://www.target.com/p/men-s-jordan-waterproof-winter-boots-all-in-motion/-/A-82427206?preselect=82258132#Ink=sametab> (Year: 2021).*

All in Motion, Kids' Ryan Lace-Up Winter Boots, (2021), Target.com, [site visited: Feb. 7, 2022], Available from URL: <https://www.target.com/p/kids-ryan-lace-up-winter-boots-all-in-motion/-/A-82431926?preselect=82237879#Ink=sametab> (Year: 2021).*

* cited by examiner

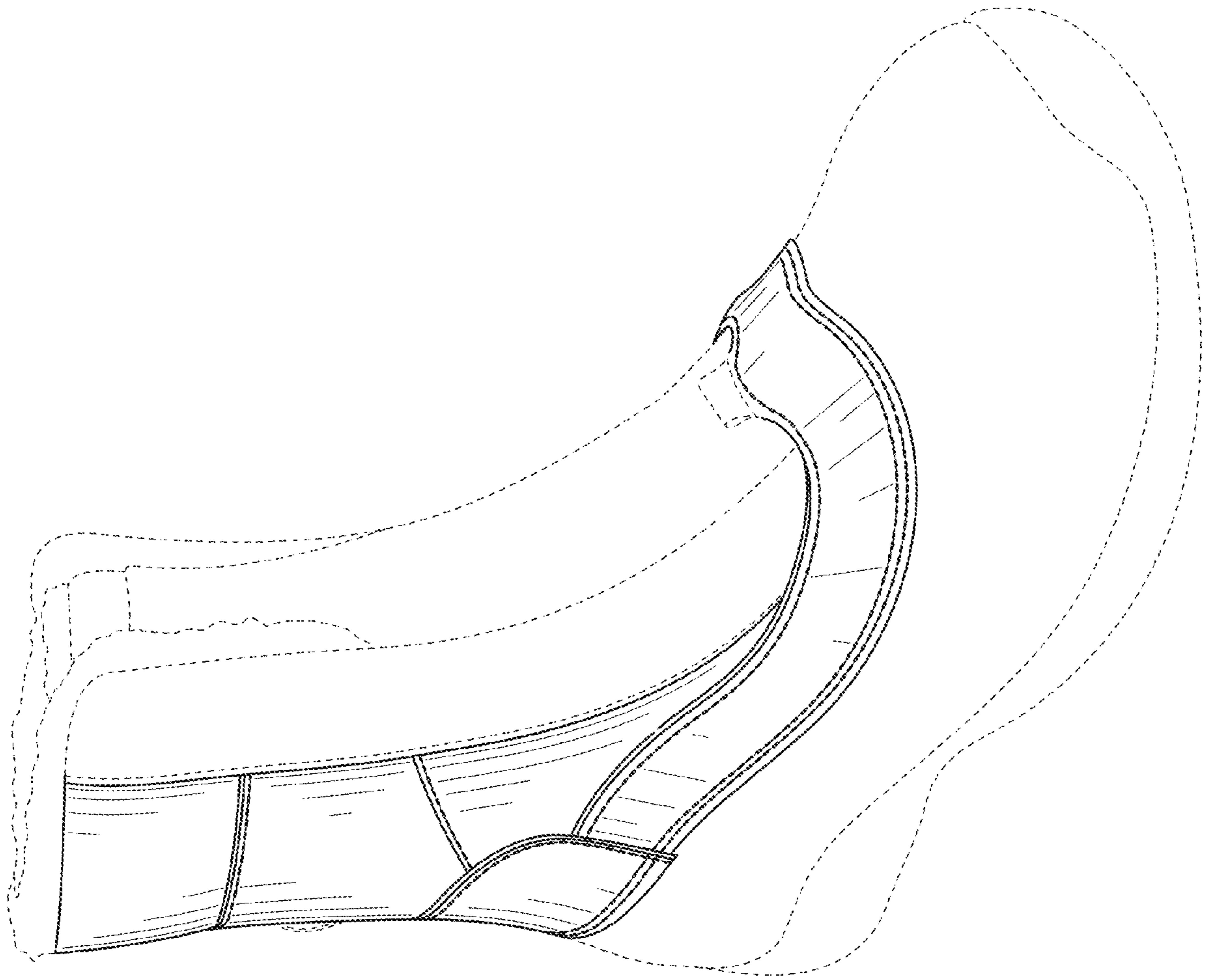


FIG. 1

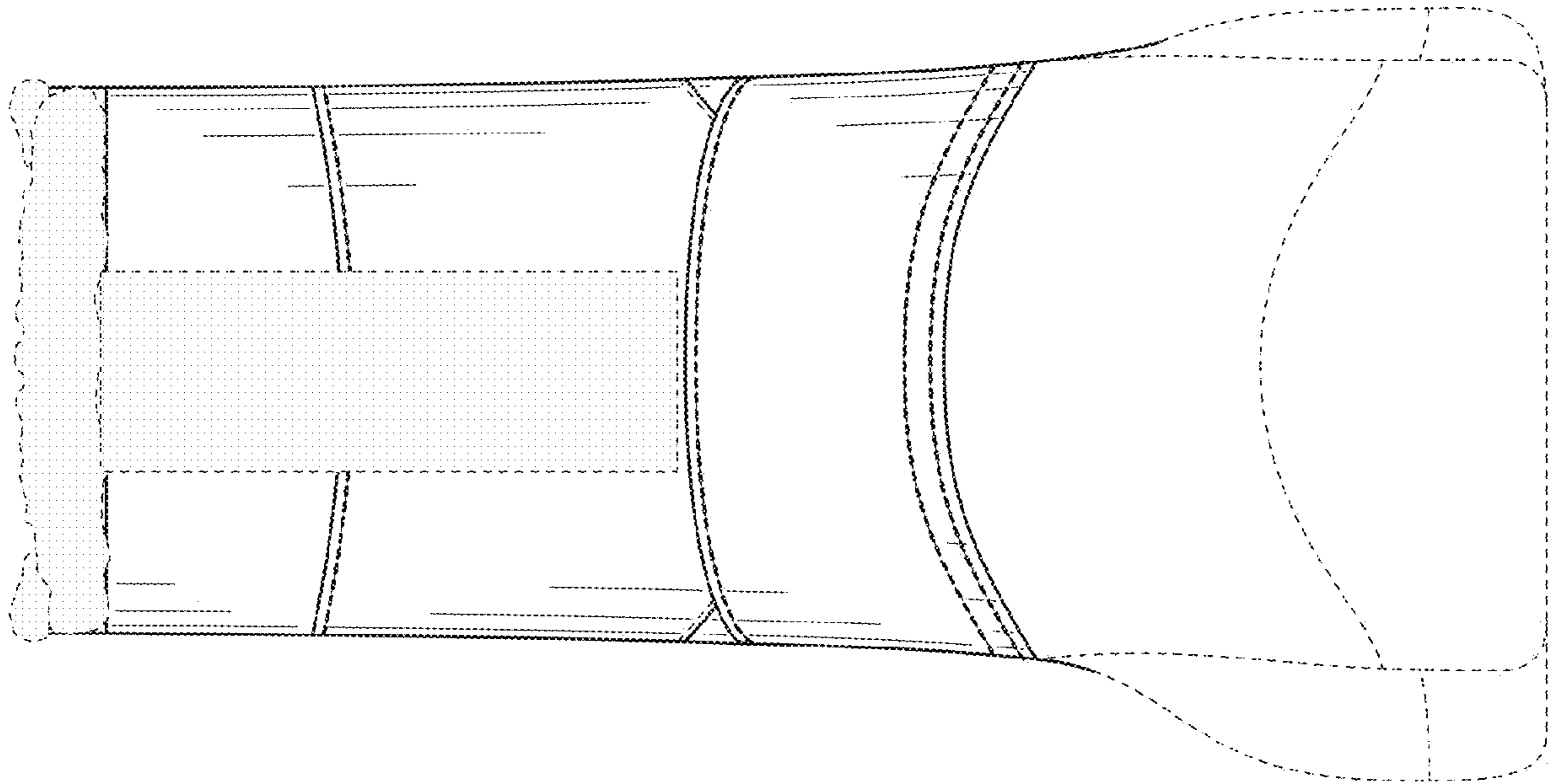


FIG. 3

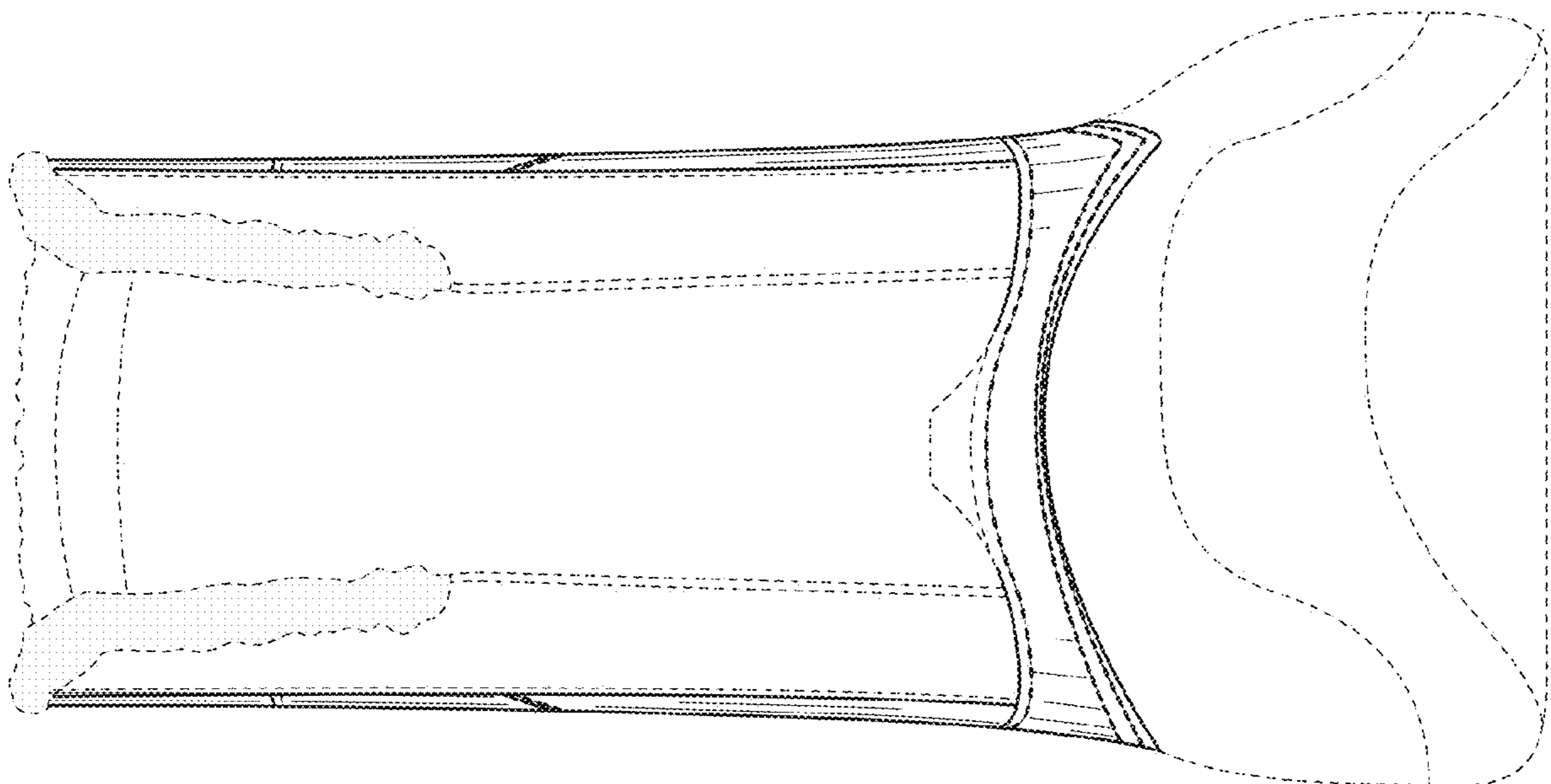


FIG. 2

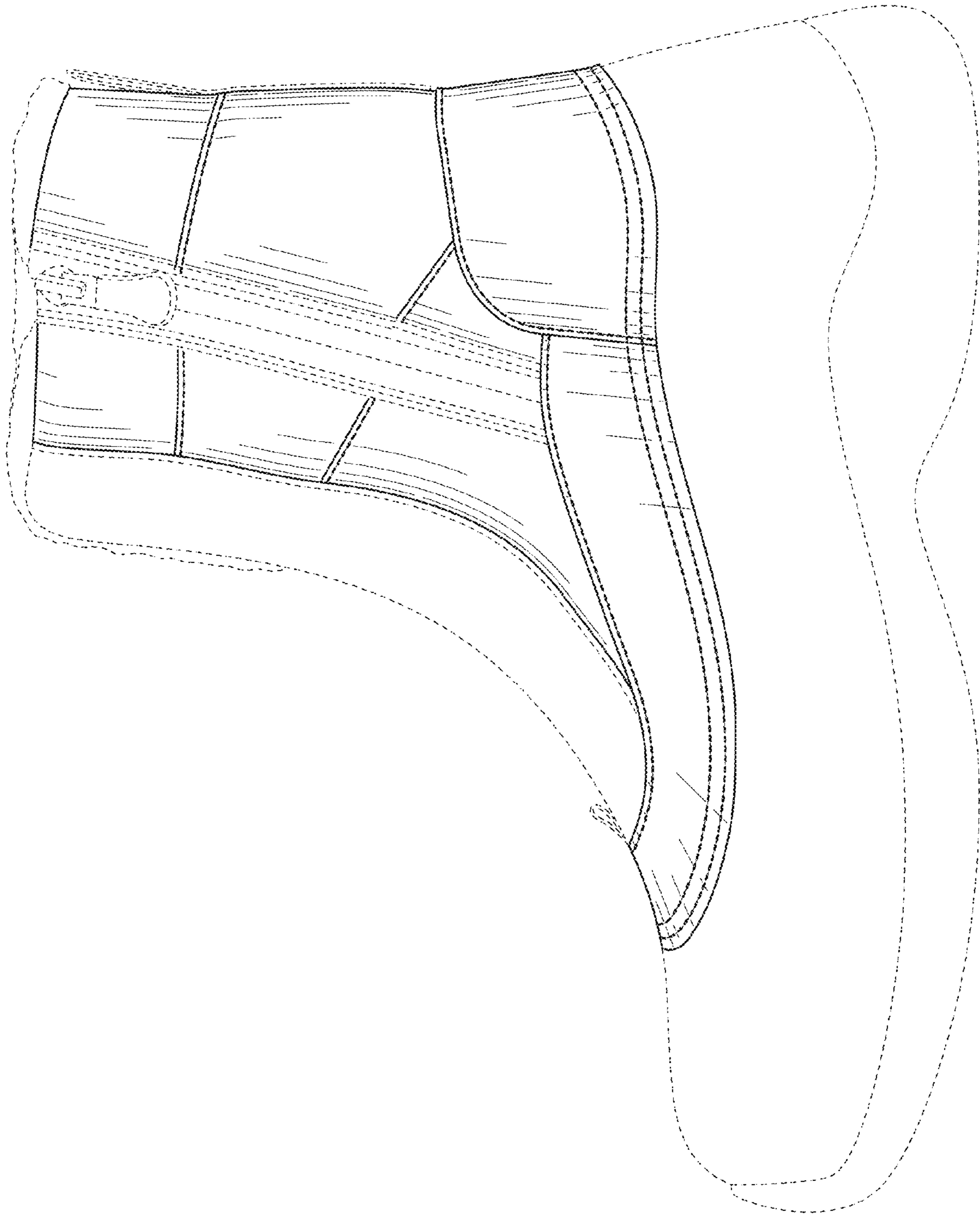


FIG. 4

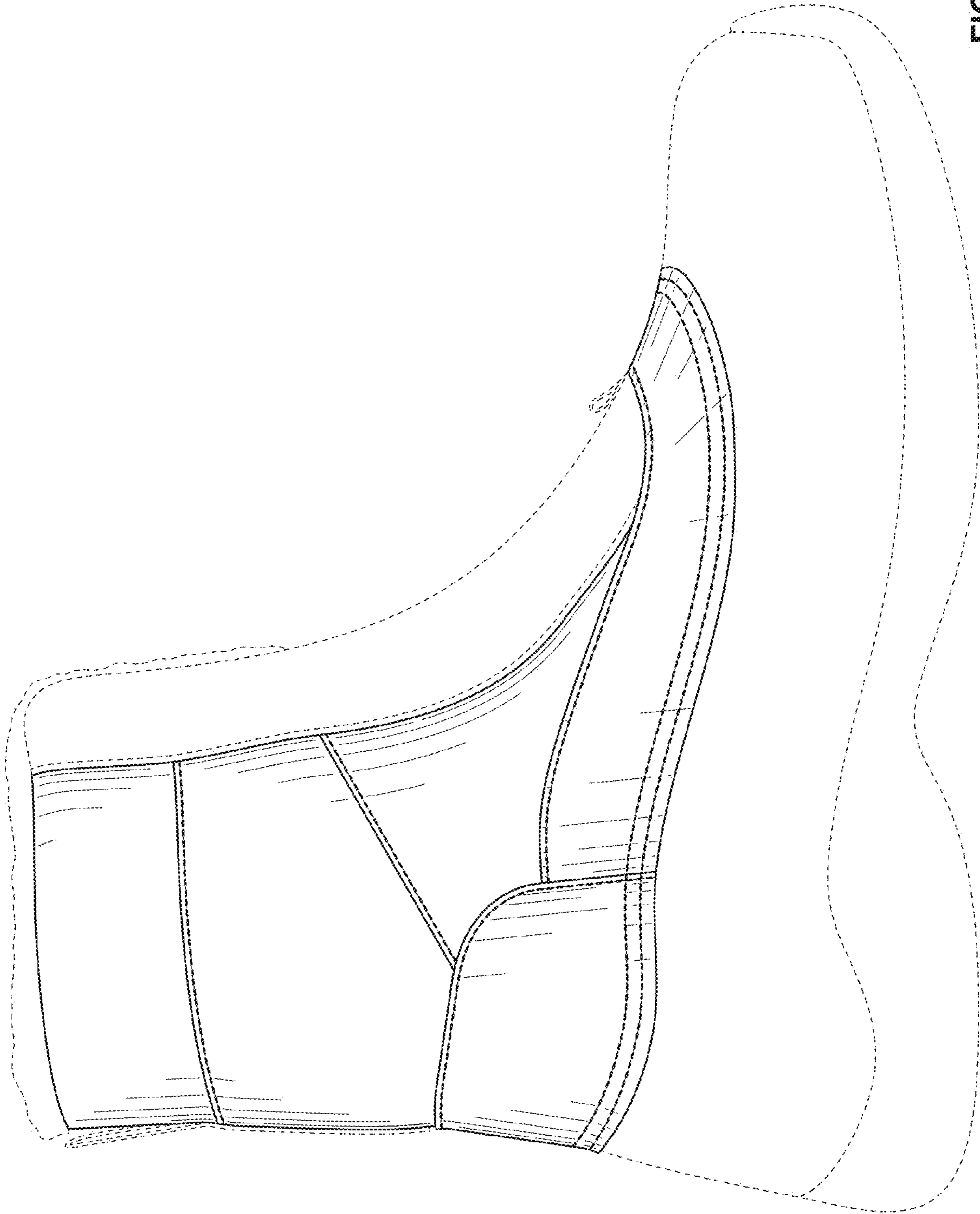


FIG. 5

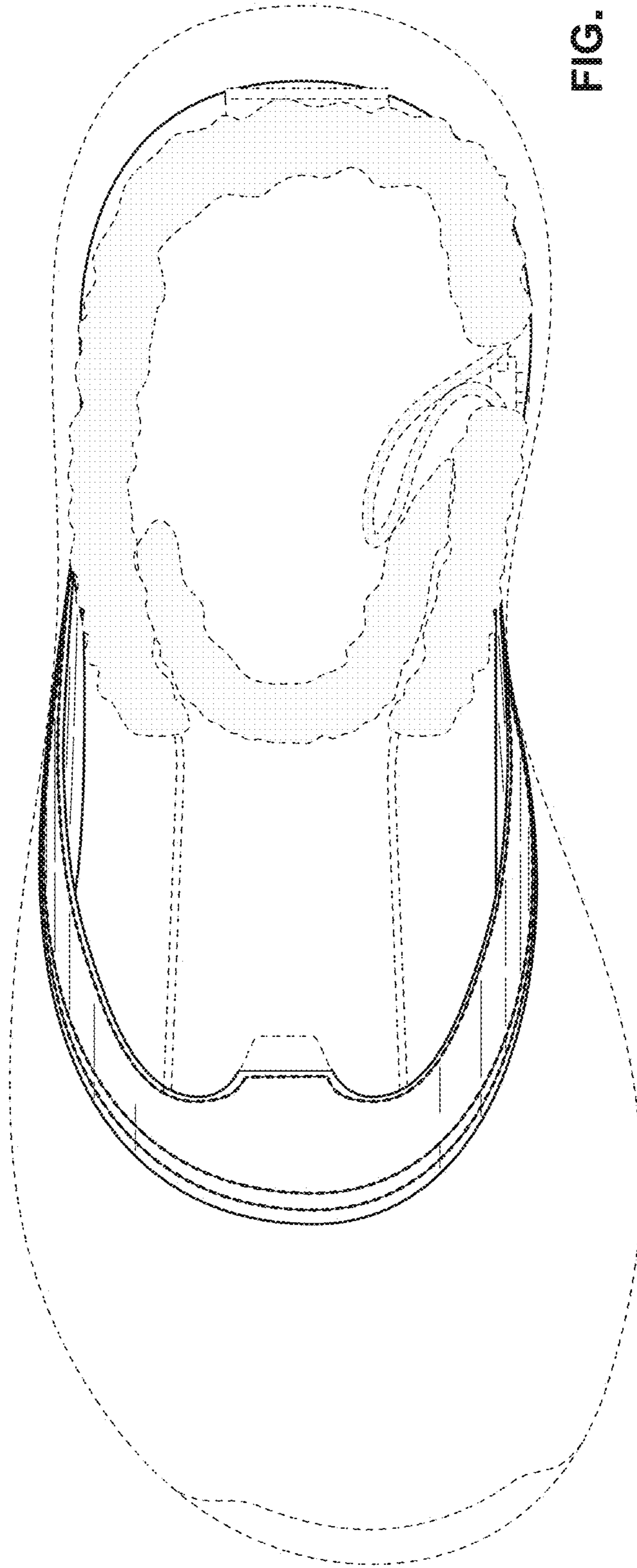


FIG. 6