



US00D964005S

(12) **United States Design Patent**
Dunham

(10) **Patent No.:** **US D964,005 S**

(45) **Date of Patent:** **** Sep. 20, 2022**

(54) **FOOTWEAR**

(71) Applicant: **Target Brands, Inc.**, Minneapolis, MN (US)

(72) Inventor: **Austyn Dunham**, Minneapolis, MN (US)

(73) Assignee: **Target Brands, Inc.**, Minneapolis, MN (US)

(**) Term: **15 Years**

(21) Appl. No.: **29/754,404**

(22) Filed: **Oct. 9, 2020**

(51) **LOC (13) Cl.** **02-04**

(52) **U.S. Cl.**

USPC **D2/970; D2/910; D2/957; D2/969**

(58) **Field of Classification Search**

USPC D2/897, 902, 905, 906, 908, 916, 918, D2/925, 946-962, 977, 901, 904, D2/909-913, 919, 921, 970-974, 978, D2/969, 931; 36/3 B, 22 R, 24.5, 25 R, 36/28, 32 R, 59 C, 67 A, 103, 3 A, 83, 36/110, 117, 122, 1.7 R, 47.3, 77 M, 36/77 R, 113, 114, 50.1, 54, 126-131, 36/7.1 R, 7.3, 7.4, 7.84, 11.5, 9 R, 45, 52, 36/72 R, 72 B, 73, 84, 89

CPC A43B 23/00; A43B 23/02; A43B 23/0205; A43B 23/021; A43B 23/0215; A43B 23/022; A43B 23/025; A43B 23/0255; A43B 23/0295; A43B 23/04; A43B 23/042; A43B 23/085; A43B 23/082; A43B 3/02; A43B 3/06; A43B 3/002; A43B 3/04; A43B 3/0496; A43B 23/17; A43B 5/005; A43B 5/06; A43B 5/10; A43B 13/81; A43B 13/125; A43B 23/026

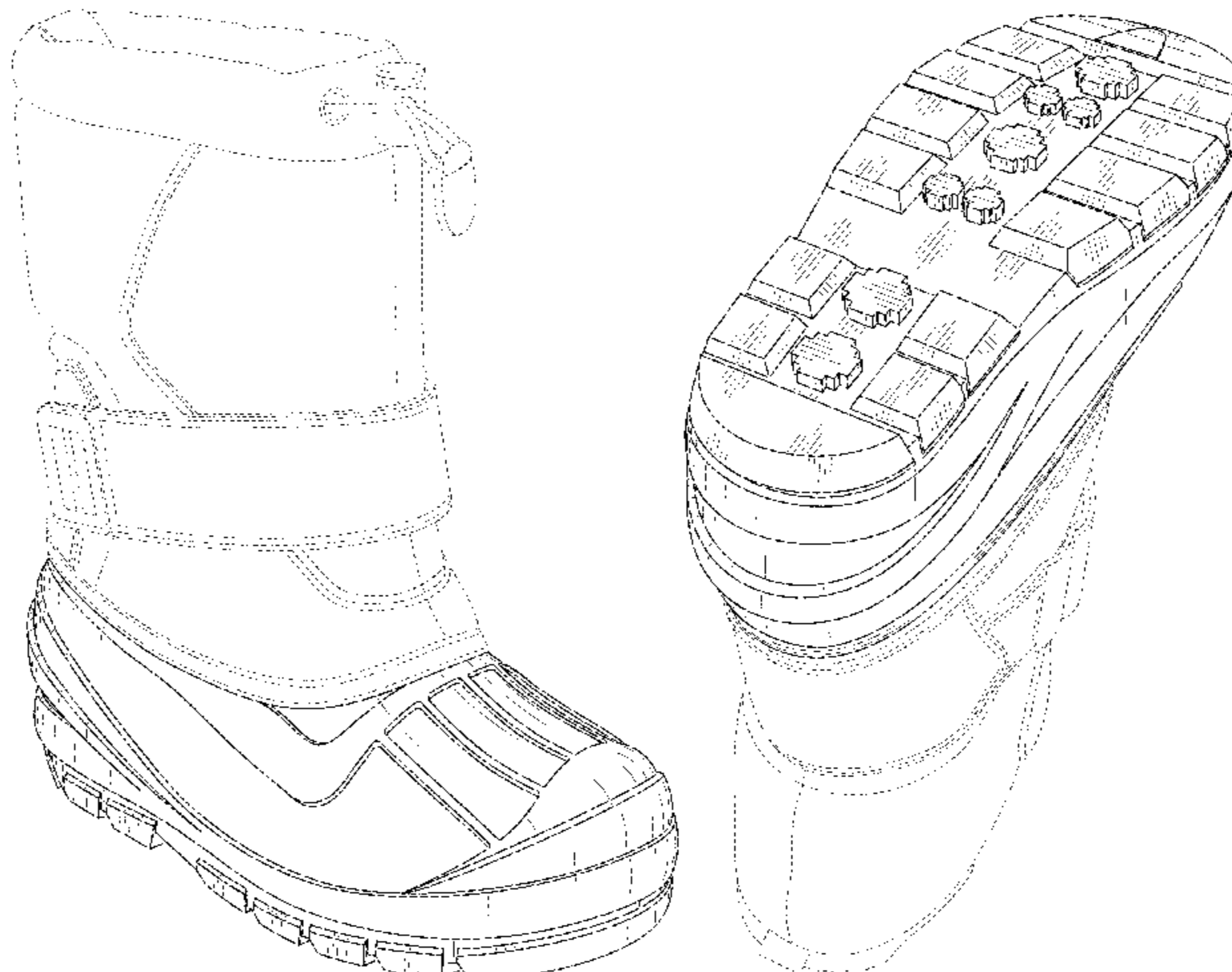
See application file for complete search history.

(56) **References Cited**

U.S. PATENT DOCUMENTS

D72,011 S * 2/1927 Grosjean D2/952
D158,910 S * 6/1950 Suyama D2/910

D243,483 S * 3/1977 Pietraszek D2/911
4,213,255 A * 7/1980 Olberz A43B 13/145
36/32 R
4,255,874 A * 3/1981 Sironi A43B 13/223
36/32 R
D280,950 S * 10/1985 Austin A43B 3/38
D2/957
D289,943 S * 5/1987 Liebscher D2/959
D322,154 S * 12/1991 Trueman D2/955
D340,130 S * 10/1993 Blissett D2/959
D352,597 S * 11/1994 Cohen D2/953
D369,456 S * 5/1996 Peterson D2/912
D372,576 S * 8/1996 Mills D2/951
D383,893 S * 9/1997 Leick D2/951
D398,143 S * 9/1998 Meyer D2/951
D401,040 S * 11/1998 Schneider D2/951
D401,746 S * 12/1998 Brooks D2/960
D402,798 S * 12/1998 Norton D2/954
D403,142 S * 12/1998 Cook D2/910
D404,544 S * 1/1999 Tzenos D2/909
D412,238 S * 7/1999 Greenberg D2/951
D412,777 S * 8/1999 Norton D2/947
D414,018 S * 9/1999 Cook D2/910
D430,966 S * 9/2000 Brady D2/954
D435,333 S * 12/2000 Robbins D2/947
D447,856 S * 9/2001 Rake D2/977
D450,429 S * 11/2001 McClaskie D2/954
D451,268 S * 12/2001 Laberge A43B 13/223
D2/972
D461,294 S * 8/2002 Cook D2/912
D463,655 S * 10/2002 Gerdy D2/909
D475,842 S * 6/2003 Cook D2/909
6,665,954 B2 * 12/2003 Chen A43B 23/047
36/3 R
D494,748 S * 8/2004 McClaskie D2/954
D499,233 S 12/2004 Sedlbauer
D499,536 S * 12/2004 Castleberry A43B 7/08
D2/947
D509,049 S * 9/2005 McClaskie A43B 3/02
D2/960
D514,796 S * 2/2006 Sedlbauer D2/910
D516,285 S 3/2006 Sedlbauer
D517,791 S 3/2006 Sedlbauer
D517,792 S 3/2006 Sedlbauer
D524,019 S 7/2006 Matis et al.
D529,692 S * 10/2006 Marvin D2/962
D539,024 S 3/2007 Belley et al.
D547,540 S * 7/2007 Maderspach D2/970
D548,438 S * 8/2007 McClaskie D2/951
D549,431 S * 8/2007 McClaskie D2/954
D556,438 S 12/2007 Maderspach
D557,484 S * 12/2007 McClaskie D2/959
D571,543 S * 6/2008 Sungadi D2/959



D575,951	S	9/2008	St-Louis	
D579,647	S *	11/2008	Schoenborn	D2/970
D580,637	S *	11/2008	Winjum	D2/951
D582,636	S *	12/2008	Cofinco	D2/910
D582,651	S	12/2008	Andersen et al.	
D583,133	S *	12/2008	Winjum	D2/912
D592,847	S *	5/2009	Rosenbaum	D2/951
D599,539	S	9/2009	St-Louis	
D612,136	S *	3/2010	Hubner	D2/954
D626,735	S *	11/2010	McClaskie	D2/951
D632,882	S	2/2011	O'Rorke	
D634,527	S *	3/2011	Butler	D2/954
D643,191	S *	8/2011	McClaskie	D2/951
D645,239	S *	9/2011	McClaskie	D2/951
D648,929	S	11/2011	Van Zyll De Jong et al.	
D652,613	S *	1/2012	Raysse	D2/954
D652,614	S *	1/2012	Raysse	D2/954
D660,570	S	5/2012	Joseph	
D662,304	S	6/2012	Spring	
D664,345	S	7/2012	Joseph	
D667,207	S *	9/2012	Funck	D2/951
D669,256	S *	10/2012	Castellon	D2/951
D677,871	S	3/2013	Portzline	
D677,873	S	3/2013	Portzline	
D678,666	S	3/2013	Portzline	
D680,311	S *	4/2013	McClaskie	D2/954
D699,932	S	2/2014	Lubart	
D701,024	S	3/2014	Youngs et al.	
D701,372	S	3/2014	Portzline	
D701,377	S	3/2014	Spring	
D701,683	S	4/2014	Neely	
D740,534	S	10/2015	Spring	
D753,554	S *	4/2016	Wood	D2/951
D754,425	S	4/2016	Deas	
D755,489	S *	5/2016	Christopherson	D2/954
D762,051	S *	7/2016	Ostapenko	D2/954
D795,541	S	8/2017	Henrichot et al.	
D834,802	S *	12/2018	Raysse	D2/954
D862,060	S *	10/2019	Weeks	D2/951
D866,934	S	11/2019	Zeng	
D870,426	S *	12/2019	Zeng	D2/951
D872,979	S *	1/2020	Francis	D2/910
D874,808	S	2/2020	Prochmann	
10,959,481	B2 *	3/2021	Gruben	A43B 3/38
D928,464	S *	8/2021	Mokos	A43B 23/028
				D2/912
D935,750	S *	11/2021	Guidetti	D2/908
D935,756	S *	11/2021	Sartori	D2/947
D938,712	S *	12/2021	Nickless	D2/947
D943,899	S *	2/2022	Hoang	D2/947
D946,246	S *	3/2022	Li	D2/911
D946,247	S *	3/2022	Li	D2/912
D950,905	S *	5/2022	Dunham	D2/947
D950,919	S *	5/2022	Dunham	D2/896
D950,925	S *	5/2022	Dunham	D2/896
D950,927	S *	5/2022	Dunham	D2/947
2009/0145006	A1 *	6/2009	Hubner	A43B 23/086
				36/73
2009/0277041	A1 *	11/2009	Hubner	A43B 3/02
				36/77 R
2010/0180474	A1 *	7/2010	Clark	A43B 7/08
				36/35 R
2014/0075780	A1 *	3/2014	Lam	A43B 9/12
				112/475.08

FOREIGN PATENT DOCUMENTS

CA	D0404544	*	1/1999
CA	87127	*	7/1999
CA	3170504	*	12/2000
CN	303574768	*	2/2016
CN	304255205	*	8/2017
CN	304970378	*	1/2019
CN	201930388809.X	*	1/2020
EM	003423102-0002	*	11/2016
WO	D212291-001	*	1/2021
WO	D212291-002	*	1/2021

OTHER PUBLICATIONS

U.S. Appl. No. 29/068,176, filed Sep. 1999, Cook.*
 Safety Girl II, Insulated Work Boot, (2017) SafetyGirl.com, [site visited: Feb. 17, 2022], Available from URL: <https://www.safetygirl.com/safety-girl-ii-insulated-work-boot-ltpink.html> (Year: 2017).*
 Nova Footwear, Nova Mountain Boys and Girls Waterproof Winter Snow Boots, (Oct. 1, 2019), Amazon.com, [site visited: Feb. 17, 2022], Available from URL: <https://www.amazon.com/dp/B07S911WD3/?tag=experiencedmommy-20&geniuslink=true&th=1> (Year: 2019).*
 NORTIV 8, Mens Snow Boots Water Resistant Insulated Fur Liner Winter Hiking Boots, (2020), Walmart, [site visited: <https://www.walmart.com/ip/Mens-Snow-Boots-Water-Resistant-Insulated-Fur-Liner-Winter-Hiking-Boots-Nortiv-8-Quebec-M-Black-Size-9/590830378?athbdg=L1400>] (Year: 2020).*
 Cat and Jack, Kids Brody Winter Boots, 2021, Target.com, [site visited: Dec. 29, 2021], Available from URL: <https://www.target.com/p/kids-brody-winter-boots-cat-jack/-/A-82427155?preselect=82181820#lnk=sametab> (Year: 2021).*
 Yeerovan, Kids Snow Boots Boys Girls Winter Boot, (Aug. 12, 2021), Amazon.com, [site visited: Dec. 29, 2021], Available from URL : Amazon.com: https://www.amazon.com/dp/B09CFMPPDL/ref=cm_sw_em_r_mt_dp_PQXMM3A67EKWXSDEV4BF?_encoding=UTF8&pvc=1 (Year: 2021).*
 WateLves, Kids Winter Snow Boots Boys and Girls, (Dec. 14, 2021), Amazon.com, [site visited: Dec. 29, 2021], Available from URL: https://www.amazon.com/dp/B07WC4W7RB/ref=cm_sw_em_r_mt_dp_V54PP7CHEAW51SAZ9050?_encoding=UTF8&pvc=1 (Year: 2021).*
 Morendl, Kids Snow Boots Insulated Waterproof Fur Lined, (Aug. 17, 2021), Amazon.com, [site visited: Dec. 29, 2021], Available from URL: https://www.amazon.com/dp/B097DRMWDG/ref=cm_sw_em_r_mt_dp_4N8CND9Z2HP13TX73RTH?_encoding=UTF8&pvc=1 (Year: 2021).*
 Cat and Jack, Toddler Frankie Boots, (2021), Target.com, [site visited: Feb. 17, 2022], Available from URL: <https://www.target.com/p/toddler-frankie-winter-boots-cat-jack/-/A-82427162> (Year: 2021).*
 Windriver, Womens Blackcomb IceFX Winter Boots, (2021), Mark's, [site visited: Feb. 22, 2022], Available from URL: <https://www.marks.com/en/windriver-womens-blackcomb-icefx-water-repellent-lace-up-winter-boots-black-319846.html?rrec=true#319846%5Bcolor%5D=BLACK&319846%5Bwidth%5D=REG> (Year: 2021).*
 Safety Shoe, Timber Yellow, (2022), STG Industrials, [site visited: Feb. 17, 2022], Available from URL: <https://www.stgindustrials.com/shop/safety-shoe-t202n-timber-yellow/> (Year: 2022).*
 Paul, Mens Round Toe Suede Snow Boot, (2022), Shoe Tale Shoes, [site visited: Feb. 17, 2022], Available from URL: <https://www.shoestale.com/snow/486-2315-paul-men-round-toe-suede-snow-boot-front-zip-thick-rubber-sole-boot-black-cv12jbb0p8r.html> (Year: 2022).*

* cited by examiner

Primary Examiner — T Chase Nelson
Assistant Examiner — Jamillah Khalil Abdullah
 (74) *Attorney, Agent, or Firm* — Merchant & Gould P.C.

(57) **CLAIM**

The ornamental design for a footwear, as shown and described.

DESCRIPTION

FIG. 1 is a front, top and right side perspective view of a footwear according to the new design;
 FIG. 2 is a front side elevation view thereof;
 FIG. 3 is a back side elevation view thereof;
 FIG. 4 is a left side elevation view thereof;
 FIG. 5 is a right side elevation view thereof;

FIG. 6 is a top plan view thereof;
FIG. 7 is a bottom plan view thereof; and,
FIG. 8 is a back, bottom and left side perspective view thereof.
The broken lines in the drawings show portions that form no part of the claimed design.

1 Claim, 8 Drawing Sheets

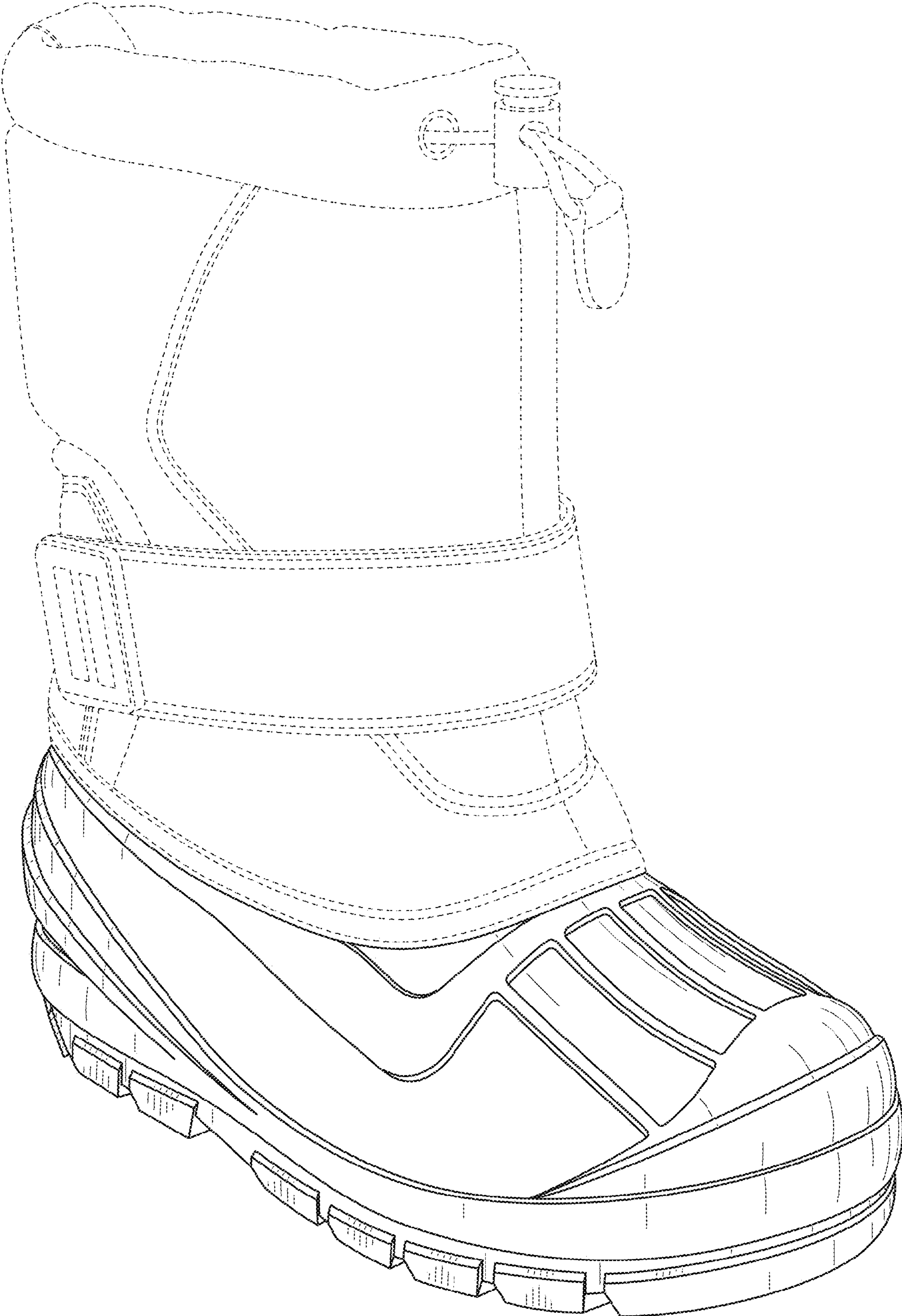


FIG. 1

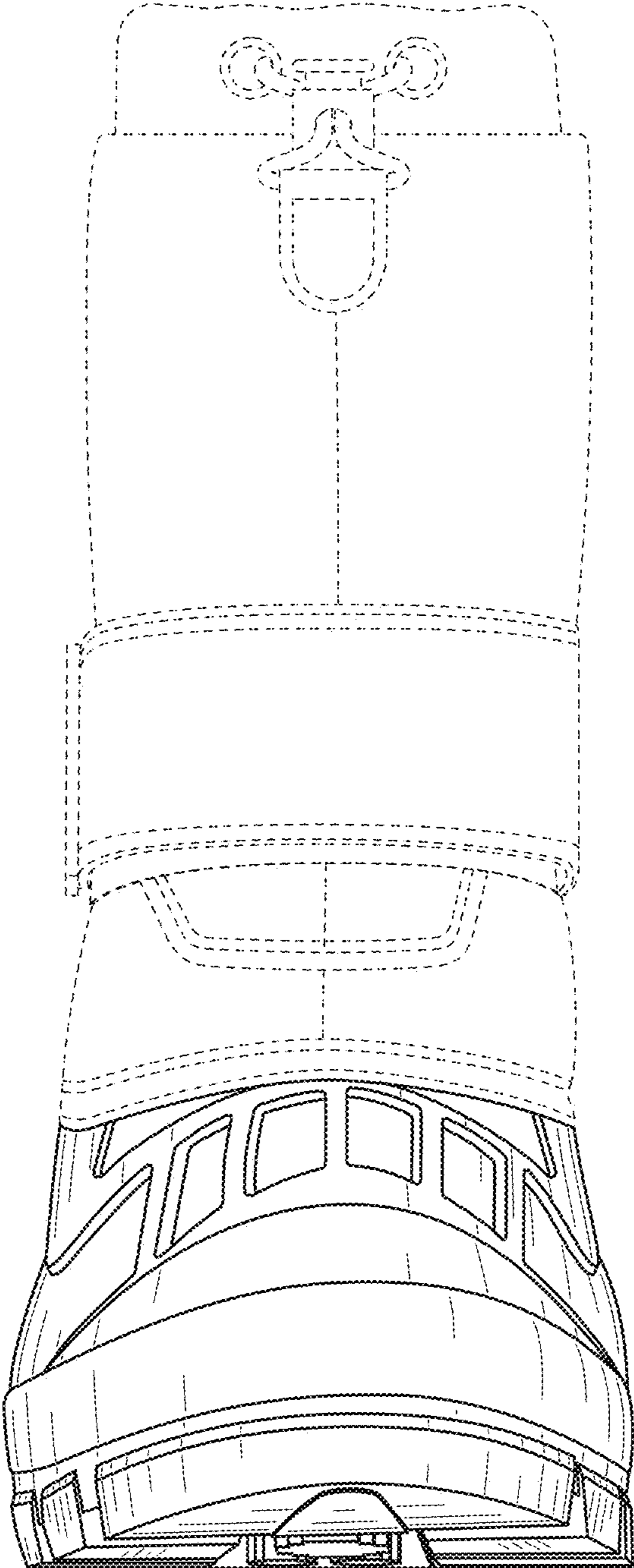


FIG. 2

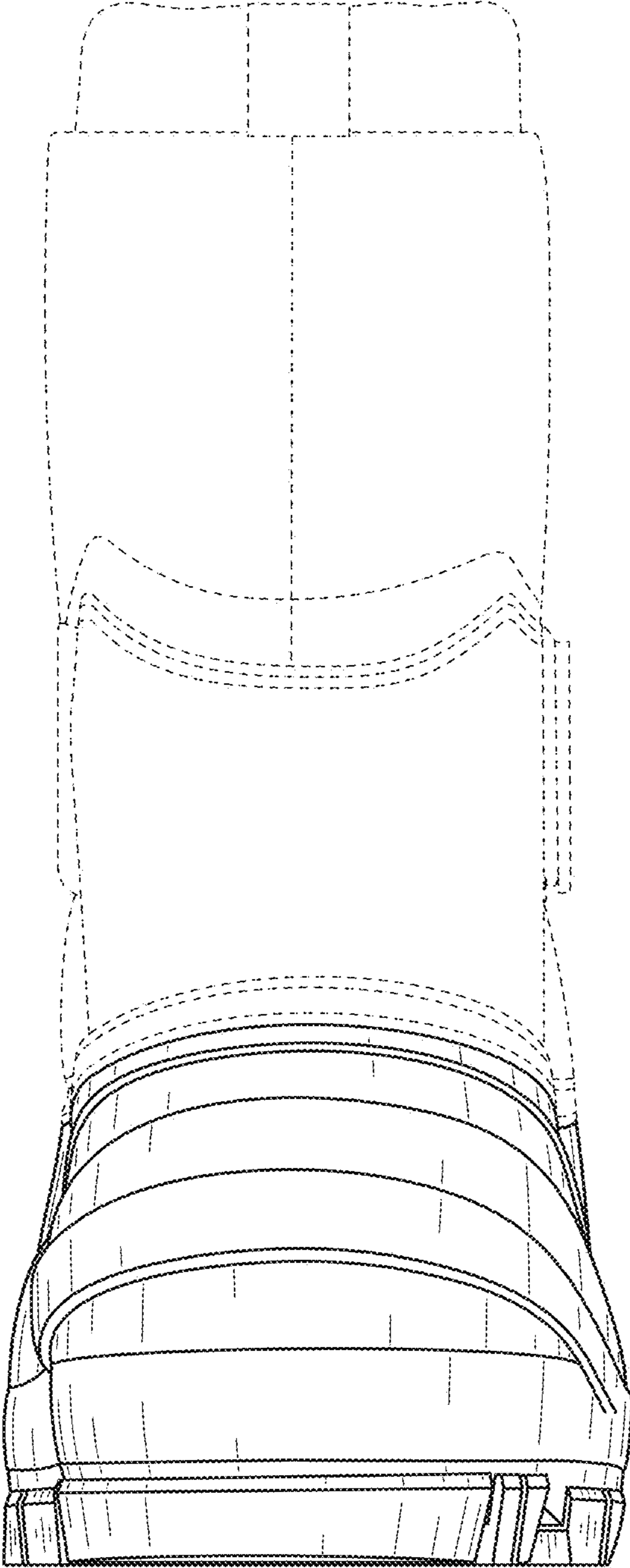


FIG. 3



FIG. 4



FIG. 5

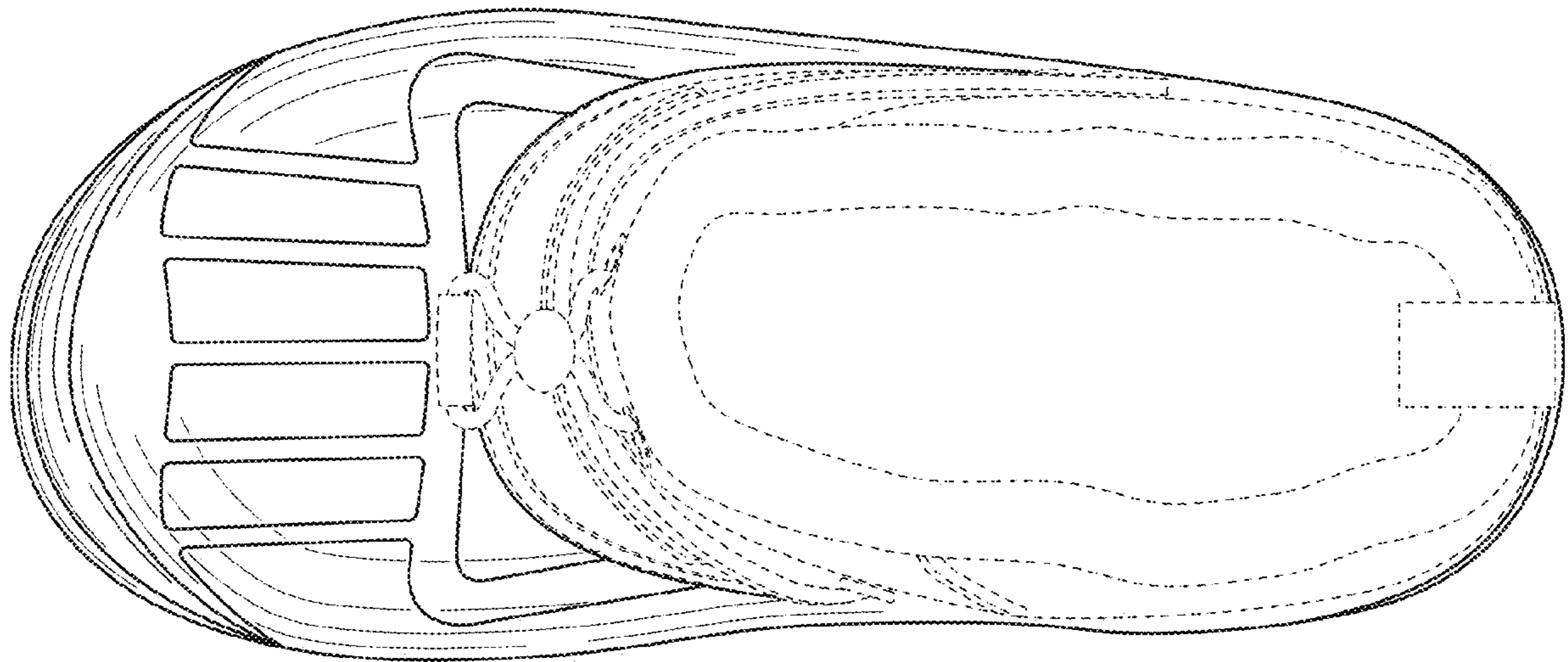


FIG. 6

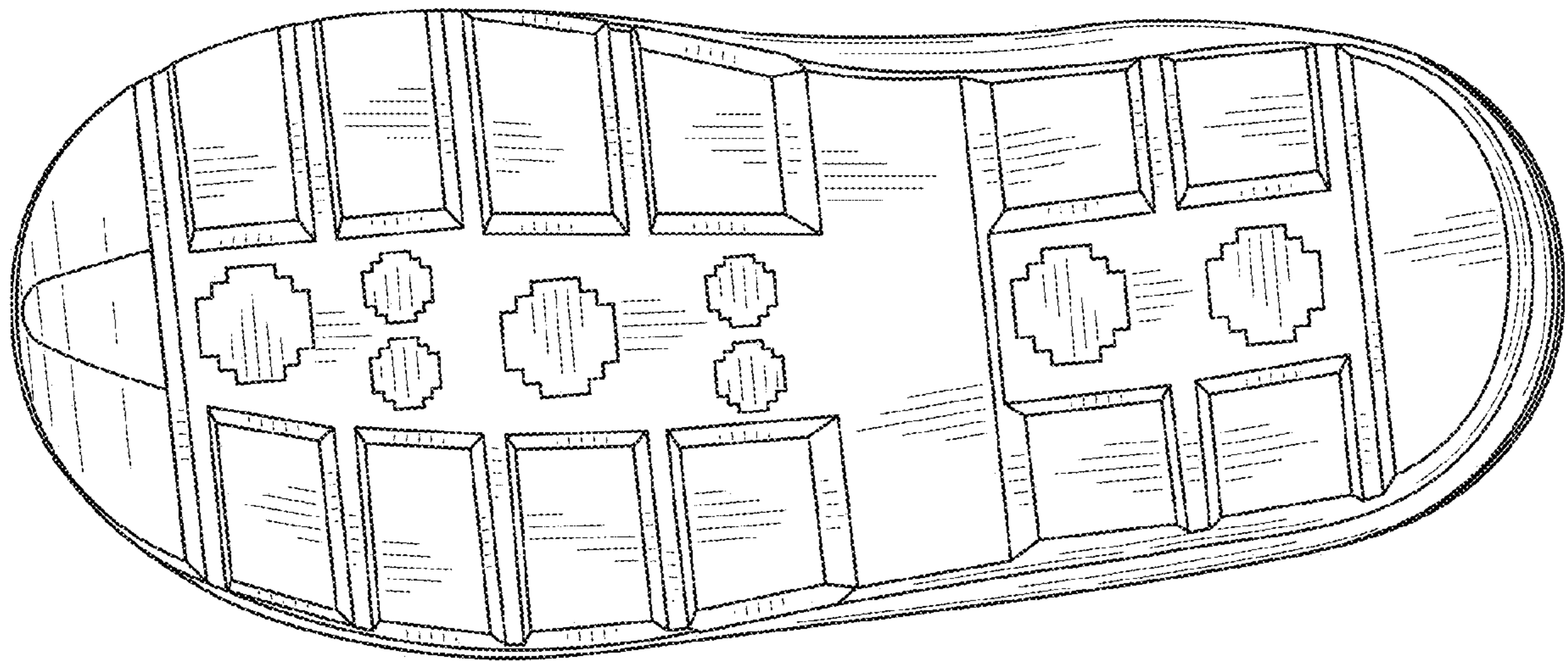


FIG. 7

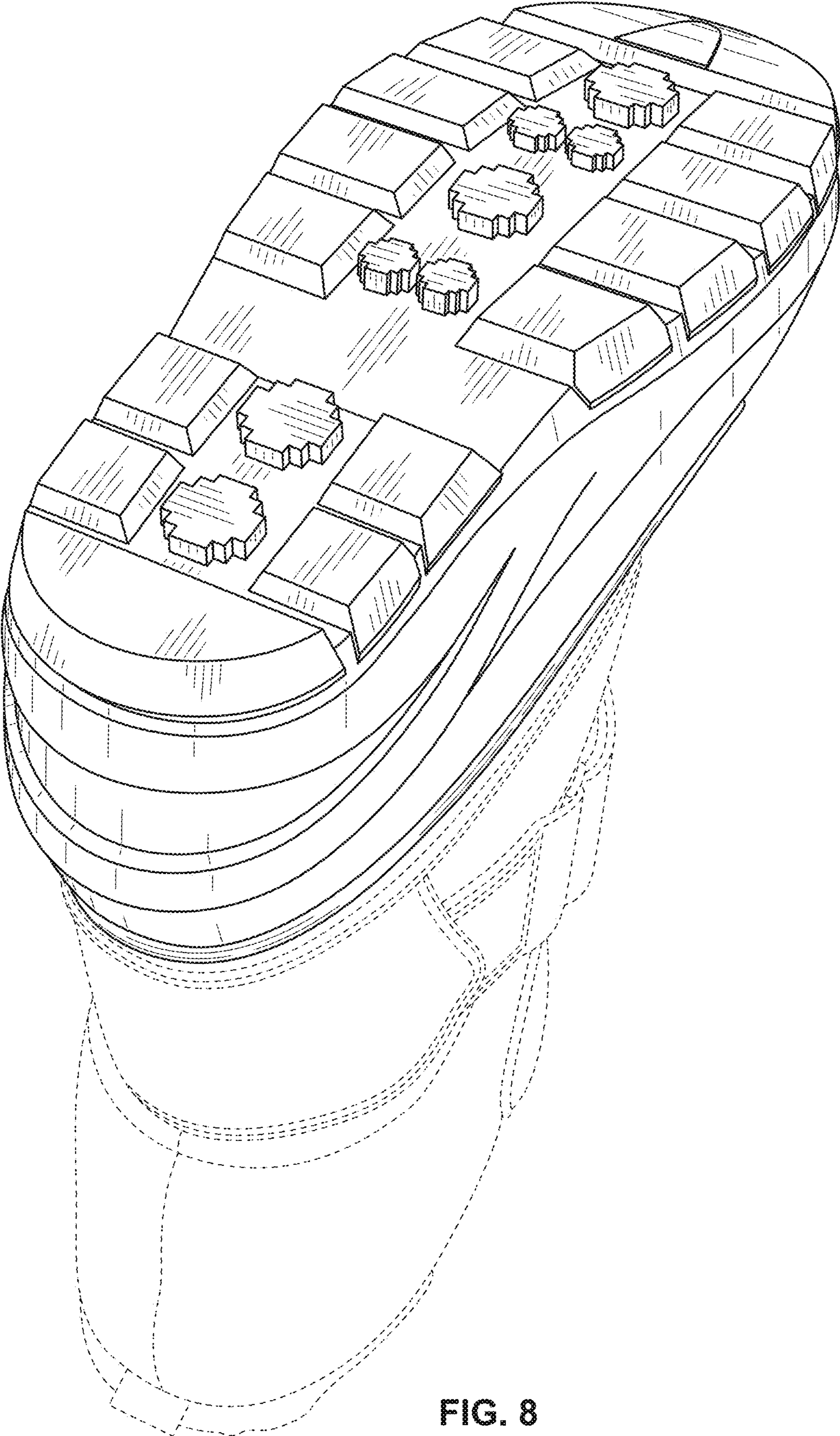


FIG. 8