



(12) **United States Design Patent**
McClaskie

(10) **Patent No.:** **US D964,000 S**
(45) **Date of Patent:** **** Sep. 20, 2022**

(54) **UPPER FOR A SHOE**
(71) Applicant: **Columbia Insurance Company,**
Omaha, NE (US)
(72) Inventor: **Thomas McClaskie,** Bethlehem, PA
(US)
(**) Term: **15 Years**

(21) Appl. No.: **29/760,572**

(22) Filed: **Dec. 2, 2020**

(51) **LOC (13) Cl.** **02-04**

(52) **U.S. Cl.**
USPC **D2/916; D2/943; D2/969**

(58) **Field of Classification Search**
USPC D2/896-900, 909, 913-925, 927-931,
D2/933, 936, 939, 940, 943, 946, 947,
D2/953, 954, 955, 957, 969, 971, 972,
D2/977; D28/41; 36/7.1 R, 7.3, 7.5, 45,
36/84, 87, 91, 11.5, 43, 32 R, 25 R, 3 A,
36/3 R, 136
CPC .. A43B 3/24; A43B 3/122; A43B 3/12; A43B
3/124; A43B 3/126; A43B 3/128; A43B
3/242; A43B 3/10; A43B 3/103; A43B
3/248; A43B 1/06; A43B 1/0045; A43B
1/0036; A43B 3/108; A43B 5/12; A43B
9/02; A43B 9/14; A43B 23/06; A43B
23/07; A43B 23/24; A43B 23/25; A43B
13/10; A43B 13/12; A43B 13/14; A43B
13/122; A43B 21/00; A43B 21/02; A43B
21/06

See application file for complete search history.

(56) **References Cited**

U.S. PATENT DOCUMENTS

D118,719 S * 1/1940 Berland A43B 13/28
D2/918
D246,337 S * 11/1977 Niarhos A43B 3/126
D2/918

D255,396 S * 6/1980 Scheinhaus A43B 3/128
D2/916
D296,608 S * 7/1988 Maciel A43B 3/126
D2/916
D346,271 S * 4/1994 McDonald A43B 5/08
D2/916

(Continued)

FOREIGN PATENT DOCUMENTS

CN 303637193 * 4/2016
CN 303830403 * 9/2016

(Continued)

OTHER PUBLICATIONS

Aerosoles, Willowbrook Wedge Sandal, (2020), DSW.com, [site visited: Mar. 28, 2022], Available from URL: <https://www.dsw.com/en/us/product/aerosoles-willowbrook-wedge-sandal/493086?activeColor=293> (Year: 2020).*

(Continued)

Primary Examiner — T Chase Nelson
Assistant Examiner — Jamillah Khalil Abdullah
(74) *Attorney, Agent, or Firm* — IP Attorneys Group, LLC

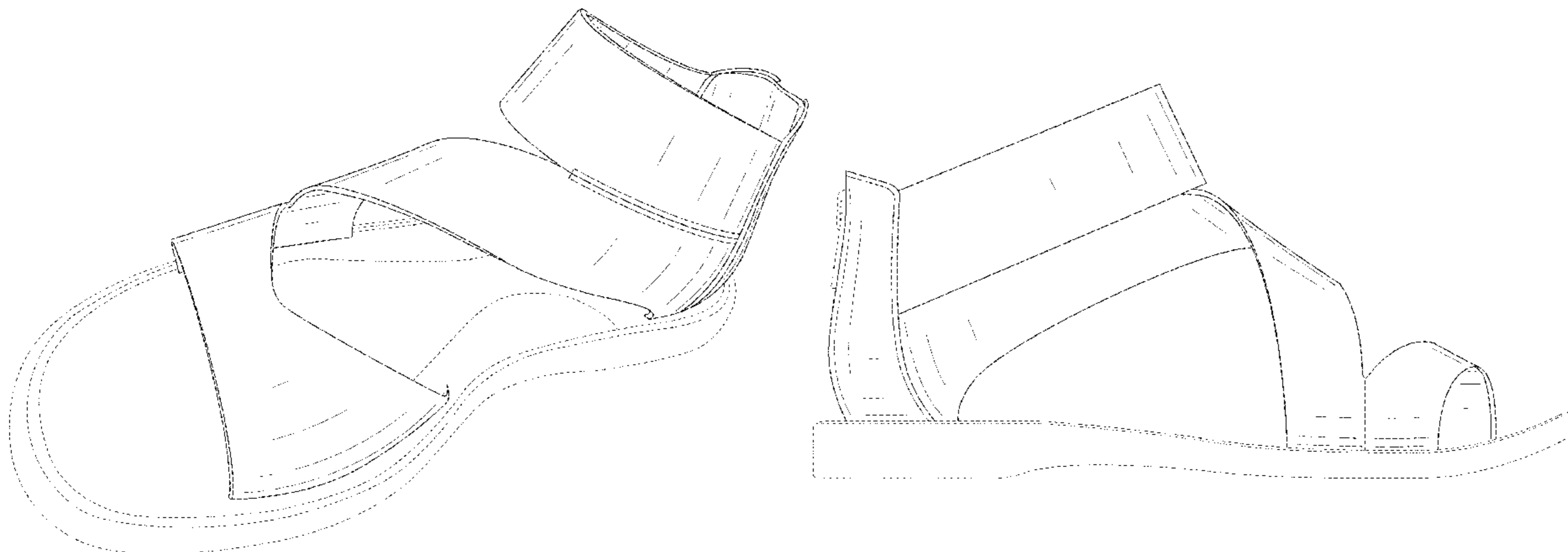
(57) **CLAIM**

The ornamental design for an upper for a shoe, as shown and described.

DESCRIPTION

FIG. 1 is a perspective view of an upper for a shoe in accordance with my new design;
FIG. 2 is a top view thereof;
FIG. 3 is a right side view thereof;
FIG. 4 is a left side view thereof;
FIG. 5 is a front view thereof; and,
FIG. 6 is a back view thereof.
The broken lines, and any unshaded regions therein, show environmental structure as well as portions of the upper for a shoe that form no part of the claimed design.

1 Claim, 5 Drawing Sheets



(56)

References Cited

U.S. PATENT DOCUMENTS

D348,763	S	*	7/1994	Judd	D2/916
D452,066	S	*	12/2001	Dean	D2/916
D461,042	S	*	8/2002	Urie	D2/916
D564,201	S	*	3/2008	Belley	D2/916
D564,748	S	*	3/2008	Belley	D2/916
D599,098	S	*	9/2009	Issler	D2/971
D604,494	S	*	11/2009	Issler	D2/971
D645,234	S	*	9/2011	Guers-Neyraud	D2/917
D696,500	S	*	12/2013	Hunt	D2/916
D785,297	S	*	5/2017	Comeau	D2/917
D814,166	S	*	4/2018	Beckett	D2/971
D815,417	S	*	4/2018	McClaskie	D2/971
D838,089	S	*	1/2019	Celin	D2/916
D853,694	S	*	7/2019	Celin	D2/916
D910,286	S	*	2/2021	Maritan	D2/916
2017/0150781	A1	*	6/2017	Seng	A43B 5/08
2018/0027919	A1	*	2/2018	Chavez	A43B 3/126
2018/0303191	A1	*	10/2018	Poremba	A43B 3/128
2020/0383813	A1	*	12/2020	Brass	A43B 3/126
2021/0153601	A1	*	5/2021	Da Costa Leite	A43B 13/28

FOREIGN PATENT DOCUMENTS

CN	304189700	*	6/2017
CN	304281840	*	9/2017
CN	304844091	*	10/2018
CN	304877256	*	11/2018
CN	304877262	*	11/2018
ID	A00201902828-0001	*	7/2020
JP	D1677551	*	1/2021
KR	301044825.0000	*	2/2020
WO	D209402-001	*	1/2021

OTHER PUBLICATIONS

Jane and the Shoe, AFRA Sandal, (2021), DSW.com, [site visited: Mar. 28, 2022], Available from URL: <https://www.dsw.com/en/us/product/jane-and-the-shoe-afra-sandal/516249?activeColor=260&rrec=true> (Year: 2021).*

Born, Irie Sandal, (2021), Bornshoes.com, [site visited: Mar. 28, 2022], Available from URL: <https://www.bornshoes.com/Product.aspx?ProductID=25205#accordion> (Year: 2021).*

Franco Sarto, Kimbra Sandal, (2021), FrancoSarto.com, [site visited: Mar. 28, 2022], Available from URL: <https://www.francoSarto.com/product/womens-franco-kimbra-sandal-5266191/dark-brown-leather-29770> (Year: 2021).*

Kee Shoes, Caprice Comfortable Leather Sandals, (2021), KeeShoes.com, [site visited: Mar. 28, 2022], Available from URL: <https://keeshoes.com/caprice-comfortable-leather-sandals-with-velcro-28152-26-black-i109898.html> (Year: 2021).*

Dr.Scholls, Koa Sandal, (2021), DSW.com, [site visited: Mar. 28, 2022], Available from URL: <https://www.dsw.com/en/us/product/dr-scholls-koa-sandal/486906?activeColor=001> (Year: 2021).*

Sofft, Menaka Sandal, (2021), DSW.com, [site visited: Mar. 28, 2022], (Available from URL: <https://www.dsw.com/en/us/product/sofft-menaka-sandal/528390?activeColor=204> (Year: 2021).*

Born, Marlowe Cuoio Sandal, (2022), Bornshoes.com, [site visited: Mar. 28, 2022], Available from URL: <https://www.bornshoes.com/Product.aspx?ProductID=25208&cat=110> (Year: 2022).*

Holy Land Market, Unisex Leather Biblical Sandals, (2022), Walmart.com, [site visited: Mar. 28, 2022], Available from URL: <https://www.walmart.com/ip/Holy-Land-Market-Unisex-Leather-Biblical-Sandals-Jesus-Yashua-Jerusalem-Style-1l/394362749> (Year: 2022).*

* cited by examiner

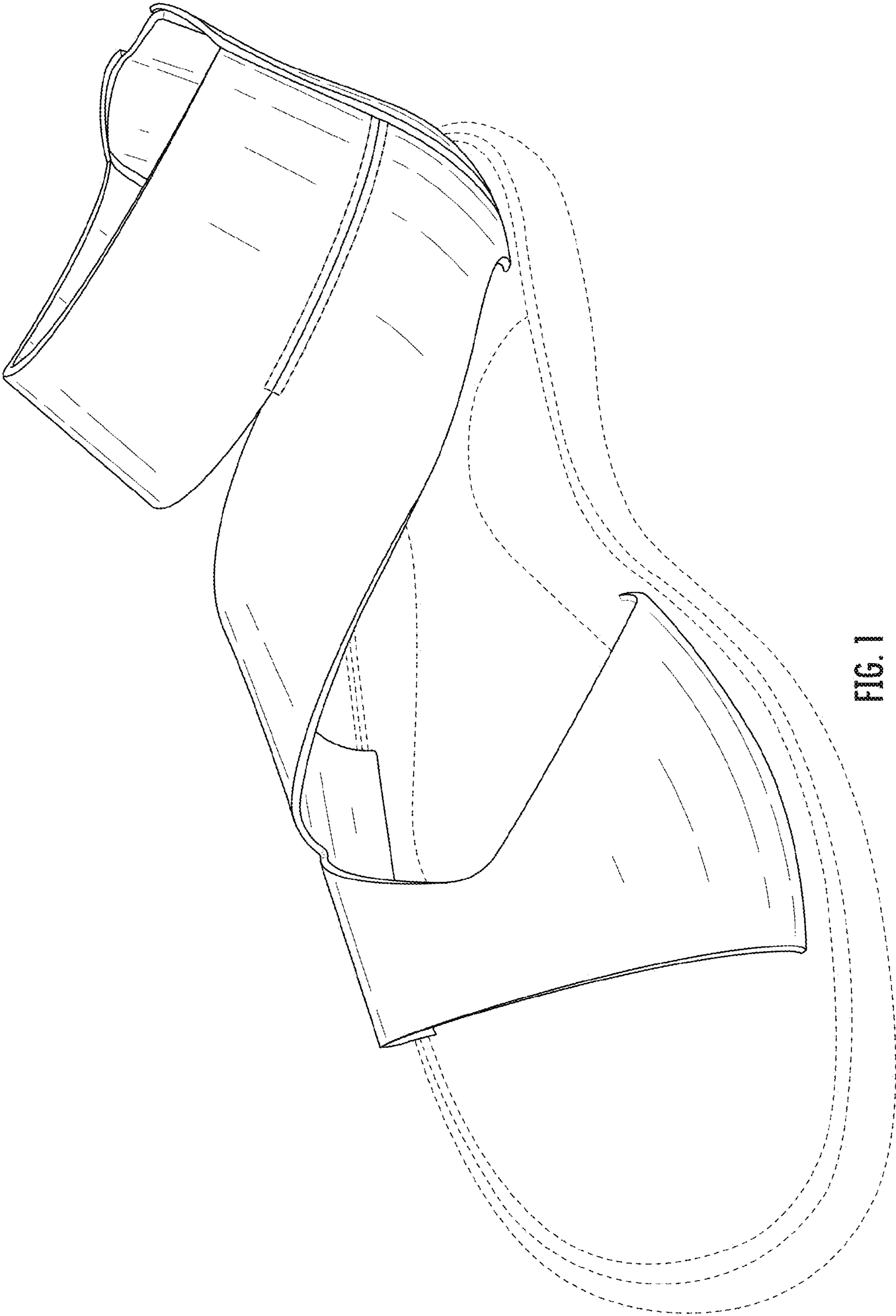


FIG. 1

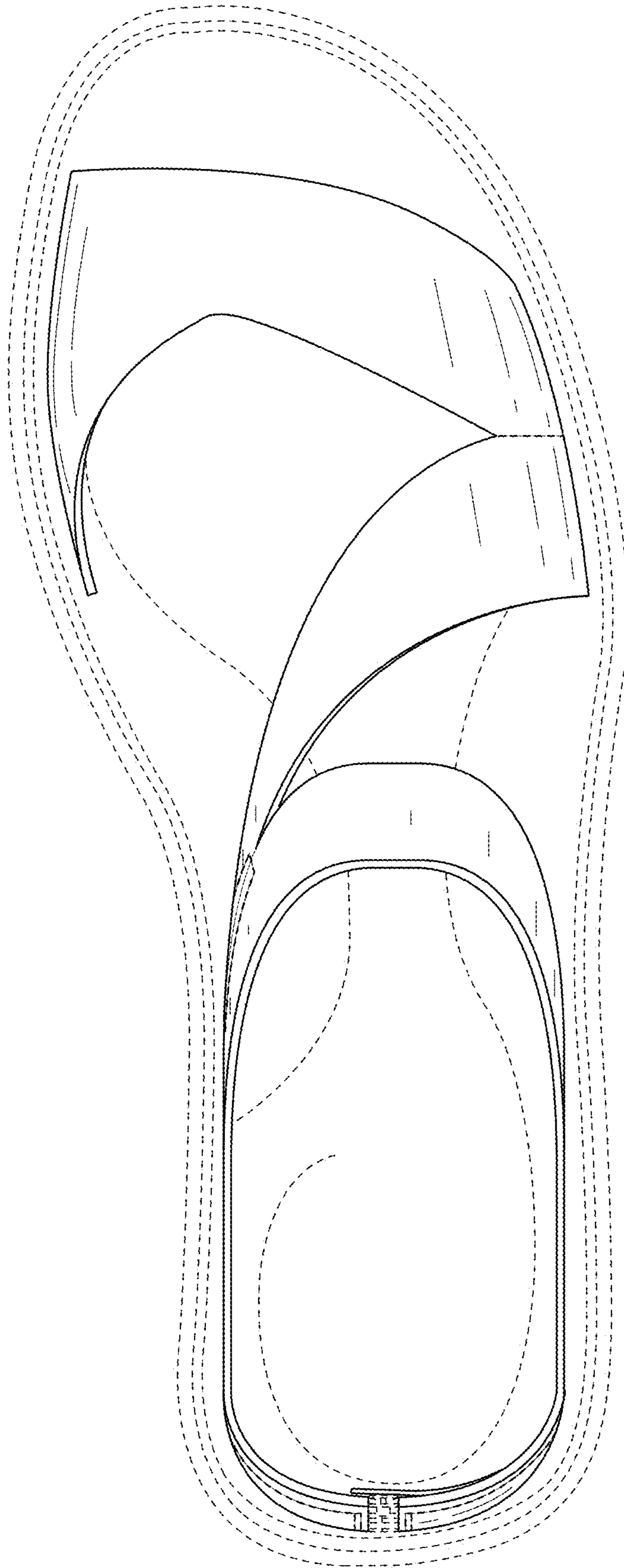


FIG. 2

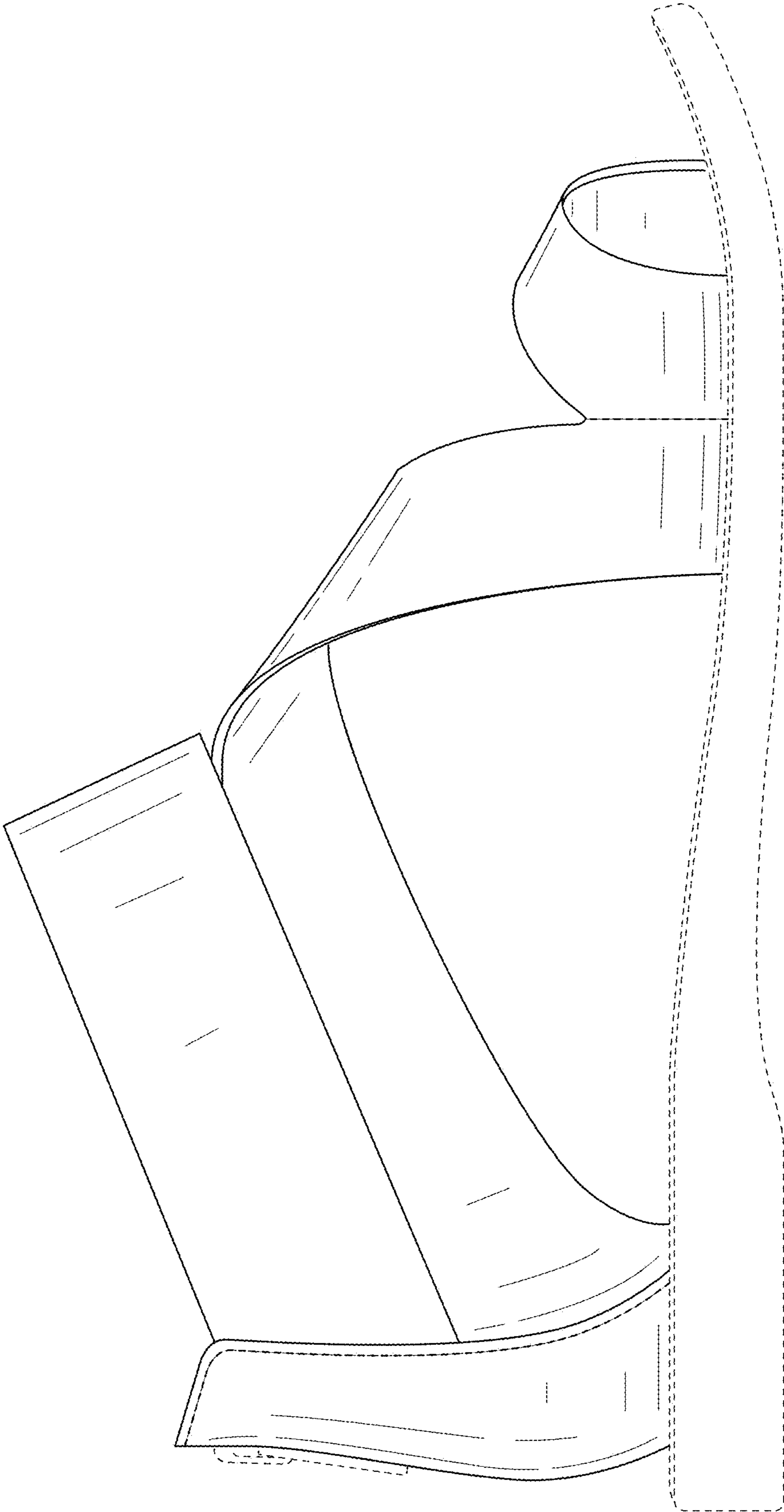


FIG. 3

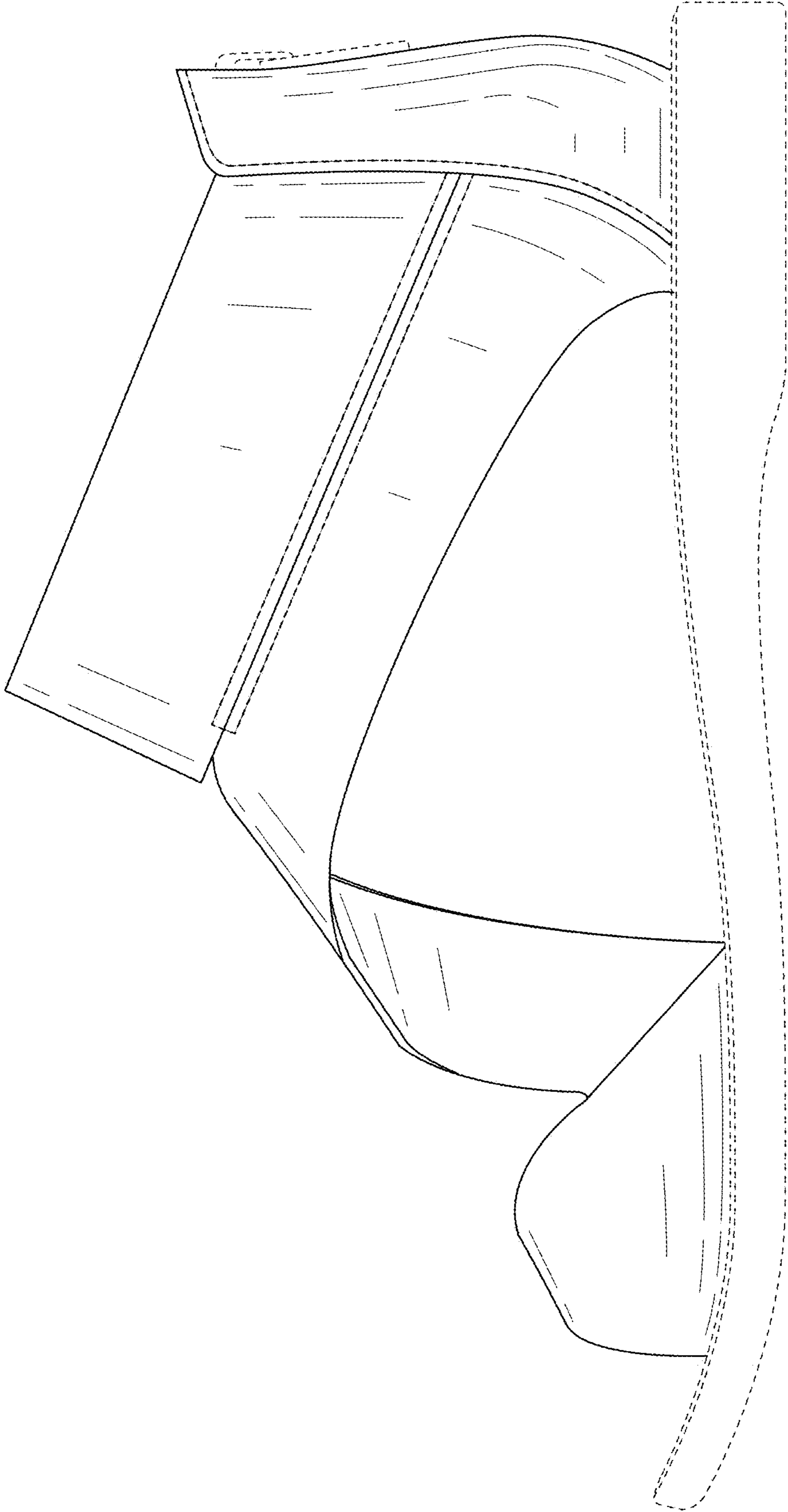


FIG. 4

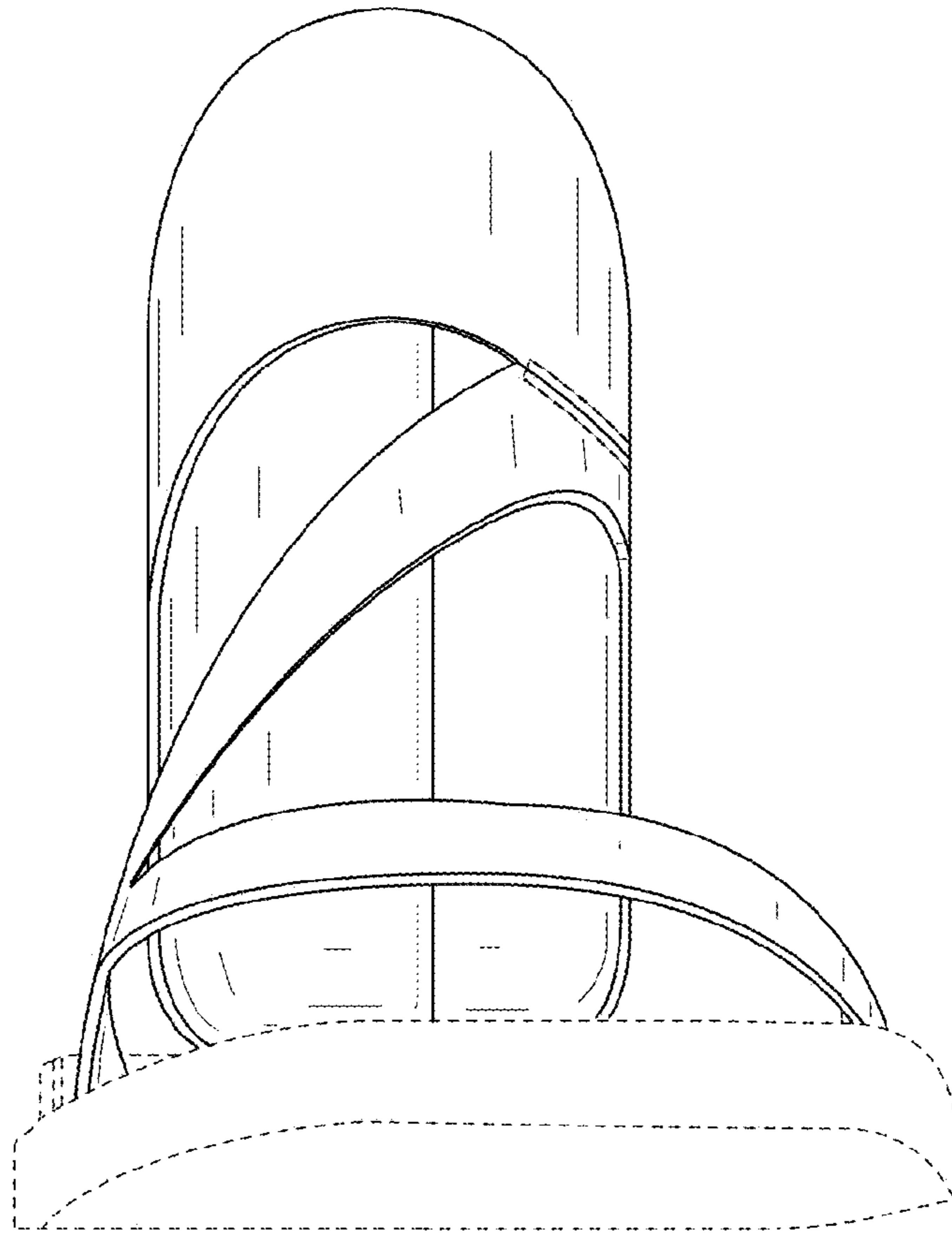


FIG. 5

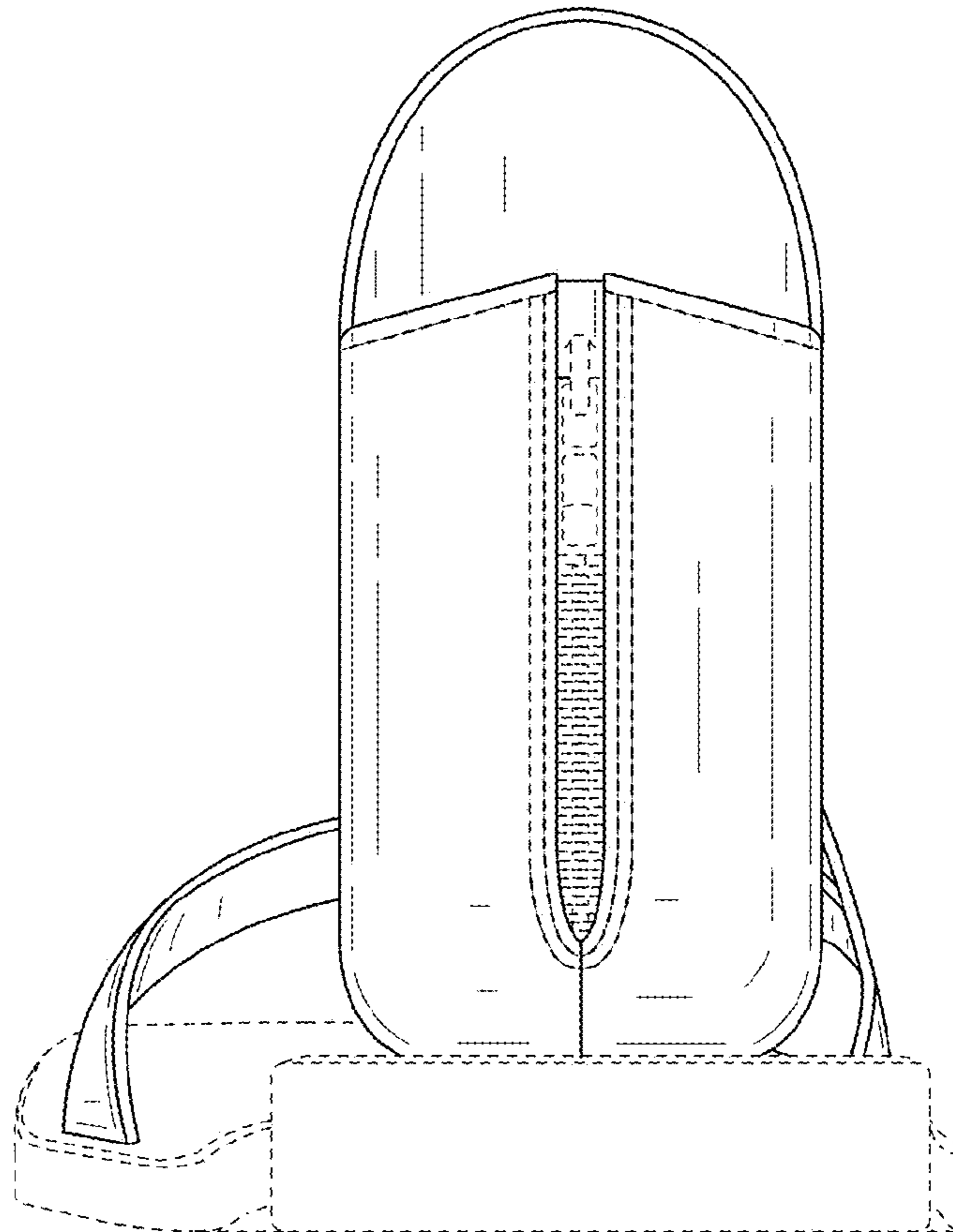


FIG. 6