



US00D963999S

(12) **United States Design Patent**
Kaiser

(10) **Patent No.:** **US D963,999 S**

(45) **Date of Patent:** **** Sep. 20, 2022**

(54) **SLIPPER**

(71) Applicant: **Benjamin Kaiser**, Paramount, CA (US)

(72) Inventor: **Benjamin Kaiser**, Paramount, CA (US)

(**) Term: **15 Years**

(21) Appl. No.: **29/759,895**

(22) Filed: **Nov. 25, 2020**

(51) **LOC (13) Cl.** **02-04**

(52) **U.S. Cl.**

USPC **D2/916**; D2/919

(58) **Field of Classification Search**

USPC D2/896-900, 903, 907, 909, 913-931,
D2/933, 936, 939, 940, 943, 946, 947,
D2/948, 953, 954, 955, 957, 969, 971,
D2/972, 977; D28/41; 36/7.1 R, 7.3, 7.5,
36/45, 84, 87, 91, 11.5, 43, 32 R, 25 R,
36/3 A, 3 R, 136

CPC A43B 3/10; A43B 3/14; A43B 3/16; A43B
3/24; A43B 3/122; A43B 3/12; A43B
3/124; A43B 3/126; A43B 3/128; A43B
3/242; A43B 3/101; A43B 3/103; A43B
3/105-107; A43B 3/248; A43B 1/06;
A43B 1/0045; A43B 1/0036; A43B
3/108; A43B 23/06; A43B 23/07; A43B
23/24; A43B 23/25; A43B 13/10; A43B
13/12; A43B 13/14; A43B 13/122; A43B
21/00; A43B 21/02; A43B 21/06; A43B
9/02; A43B 9/14; A43B 5/12; A43B 5/00

See application file for complete search history.

(56) **References Cited**

U.S. PATENT DOCUMENTS

3,874,100 A * 4/1975 Schwitters A43B 3/106
D2/919
4,059,910 A * 11/1977 Bryden A43B 13/16
12/146 B
D332,687 S * 1/1993 Altman D2/897

D403,493 S * 1/1999 McKinley D2/900
6,202,325 B1 * 3/2001 Kim A43B 3/105
D2/959
D462,826 S * 9/2002 Leong D2/919

(Continued)

FOREIGN PATENT DOCUMENTS

CN 303426109 * 11/2015
CN 303472309 * 12/2015

(Continued)

OTHER PUBLICATIONS

Balenciaga, Logo Slide Sandal, (2020), Nordstrom, [site visited:
Apr. 4, 2022], Available from URL: <https://www.nordstrom.com/s/balenciaga-logo-slide-sandal-men/5210573> (Year: 2020).*

(Continued)

Primary Examiner — T Chase Nelson

Assistant Examiner — Jamillah Khalil Abdullah

(74) *Attorney, Agent, or Firm* — John K. Park; Park Law Firm

(57) **CLAIM**

The ornamental design for a slipper, as shown and described.

DESCRIPTION

FIG. 1 is a perspective view of the slipper showing my new design;

FIG. 2 is a front view thereof;

FIG. 3 is a rear view thereof;

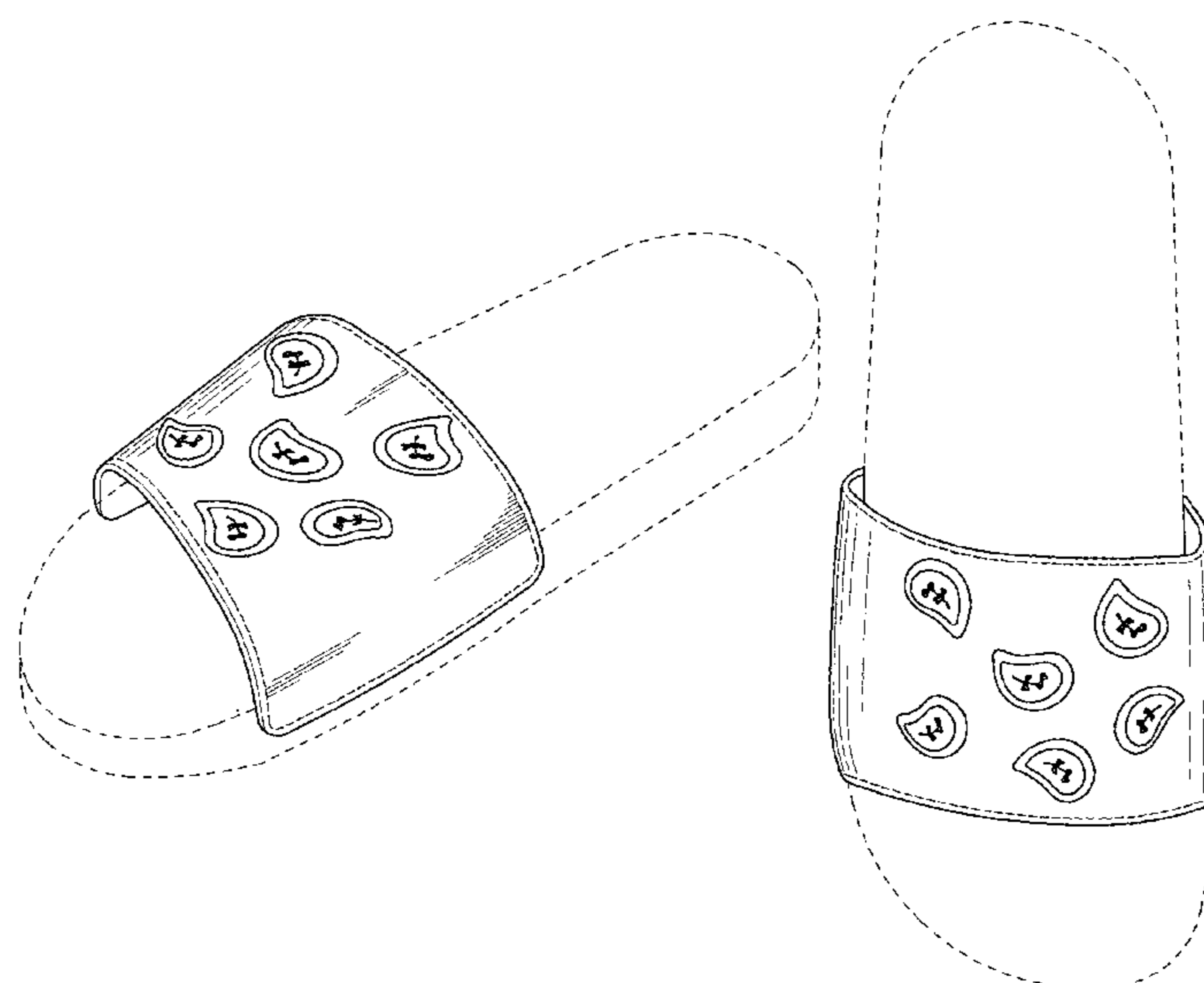
FIG. 4 is a left side view thereof;

FIG. 5 is a right side view thereof; and,

FIG. 6 is a top view.

The broken lines in the drawings depict portions of the slipper that form no part of the claimed design. The more closely spaced broken lines in the figure views depict stitching, which also forms no part of the claimed design.

1 Claim, 4 Drawing Sheets



(56)

References Cited

U.S. PATENT DOCUMENTS

D467,407 S * 12/2002 Berg D2/927
 D470,997 S * 3/2003 Bronga D2/897
 D495,124 S * 8/2004 Wakatake D2/918
 D543,345 S * 5/2007 Andersen D2/919
 D548,431 S * 8/2007 Jersey D2/919
 D562,535 S * 2/2008 Giorgio D2/916
 D614,836 S * 5/2010 Kay D2/958
 D615,737 S * 5/2010 Feller D2/896
 D640,048 S * 6/2011 Ike D2/917
 D642,771 S * 8/2011 Tonkel D2/897
 8,109,012 B2 * 2/2012 Sarantakos A43B 5/08
 36/8.1
 D680,717 S * 4/2013 Rinaldi D2/897
 D732,282 S * 6/2015 Ringholz D2/951
 D737,034 S * 8/2015 Lok D2/916
 D747,080 S * 1/2016 Santos D2/927
 D768,362 S * 10/2016 Budke A43C 11/1493
 D783,955 S * 4/2017 Fullerton D2/916
 D787,166 S * 5/2017 Doak
 D835,891 S * 12/2018 Sassi D2/919
 D843,091 S * 3/2019 Dowson D2/916
 D846,868 S * 4/2019 Chanthavong D2/974
 D853,695 S * 7/2019 Maurer D2/916
 D856,640 S * 8/2019 Brinkhof D2/916
 D878,717 S * 3/2020 Jackson D2/916
 D891,736 S * 8/2020 Wira D2/947
 D910,285 S * 2/2021 Fongher D2/916
 D927,147 S * 8/2021 Lee D2/919
 D927,148 S * 8/2021 Song D2/916
 D932,146 S * 10/2021 Hardy D2/916
 D932,749 S * 10/2021 Anderson D2/916
 D935,749 S * 11/2021 Fongher D2/918
 D936,339 S * 11/2021 Liu D2/916
 2002/0023372 A1 * 2/2002 Noda A43B 3/102
 36/55
 2008/0256828 A1 * 10/2008 Doran A43B 9/00
 36/43
 2010/0088928 A1 * 4/2010 Sarantakos A43C 11/1493
 36/103
 2012/0174439 A1 * 7/2012 O'Connor A43B 7/142
 36/11.5

2016/0255910 A1 * 9/2016 Stover A43B 3/102
 2016/0331064 A1 * 11/2016 Kawakami A43B 3/103
 2016/0374425 A1 * 12/2016 Hau A43C 15/02
 36/127
 2018/0360159 A1 * 12/2018 Lin A43B 1/02
 2019/0183207 A1 * 6/2019 Jackson A43B 3/122
 2021/0112919 A1 * 4/2021 Marston A43B 13/189
 2021/0127779 A1 * 5/2021 Haehn A43B 3/0078
 2021/0195986 A1 * 7/2021 Fina A43B 3/103

FOREIGN PATENT DOCUMENTS

CN 304189697 * 6/2017
 CN 304189699 * 6/2017
 ID A00202100612-0001 * 3/2021
 IN 343731-001-0001 * 3/2022
 KR 301035327.0000 * 12/2019

OTHER PUBLICATIONS

Gucci, Womens Pursuit GG Slide Sandals, (2022), Nordstrom, [site visited: Apr. 4, 2022], Available from URL: <https://www.bloomingdales.com/shop/product/gucci-womens-pursuit-gg-slide-sandals?ID=735878> (Year: 2022).*

Nautica, Lifeboat Logo Slide Sandals, (2022), Nautica.com, [site visited: Apr. 4, 2022], Available from URL: <https://www.nautica.com/lifeboat-logo-slide-sandals/KW1362.html> (Year: 2022).*

Old Navy, Sugarcane Blend Slide Sandals for Men, (2022), OldNavy.com, [site visited: Apr. 4, 2022], Available from URL: <https://oldnavy.gap.com/browse/product.do?pid=791161032&pcid=999&vid=1&&searchText=eva%20slide#pdp-page-content> (Year: 2022).*

Old Navy, Logo Graphic Plant based slide sandals, (2022), OldNavy.com, [site visited: Apr. 4, 2022], Available from URL: <https://oldnavy.gap.com/browse/product.do?pid=791123012&pcid=999&vid=1&searchText=eva%20slide#pdp-page-content> (Year: 2022).*

Old Navy, faux leather slide sandals, (2022), OldNavy.com, [site visited: Apr. 4, 2022], Available from URL: <https://oldnavy.gap.com/browse/product.do?pid=818795&vid=1&autosuggest=true&searchText=faux%20leather%20slide&position=0&results=6#pdp-page-content> (Year: 2022).*

* cited by examiner

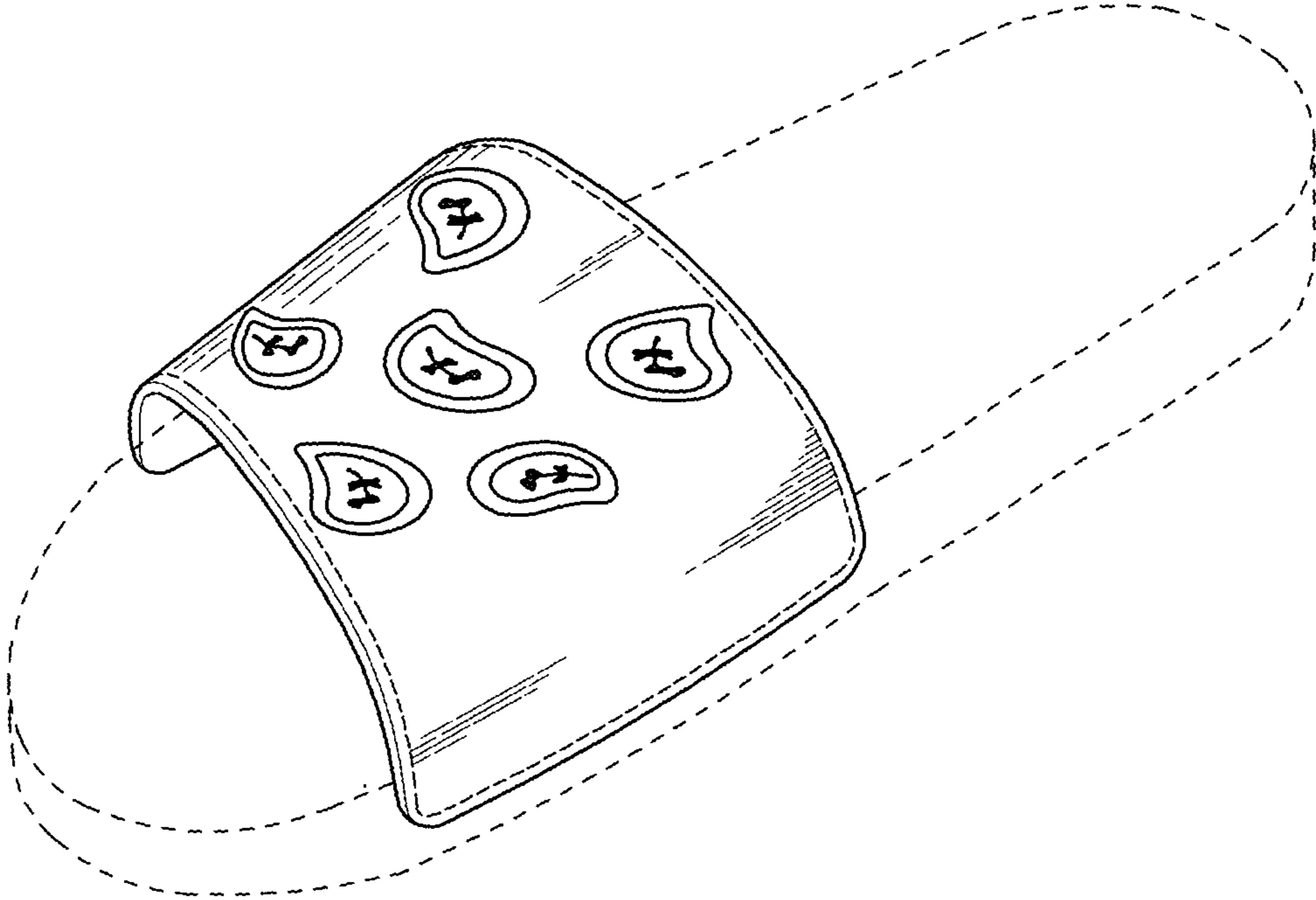


FIG. 1

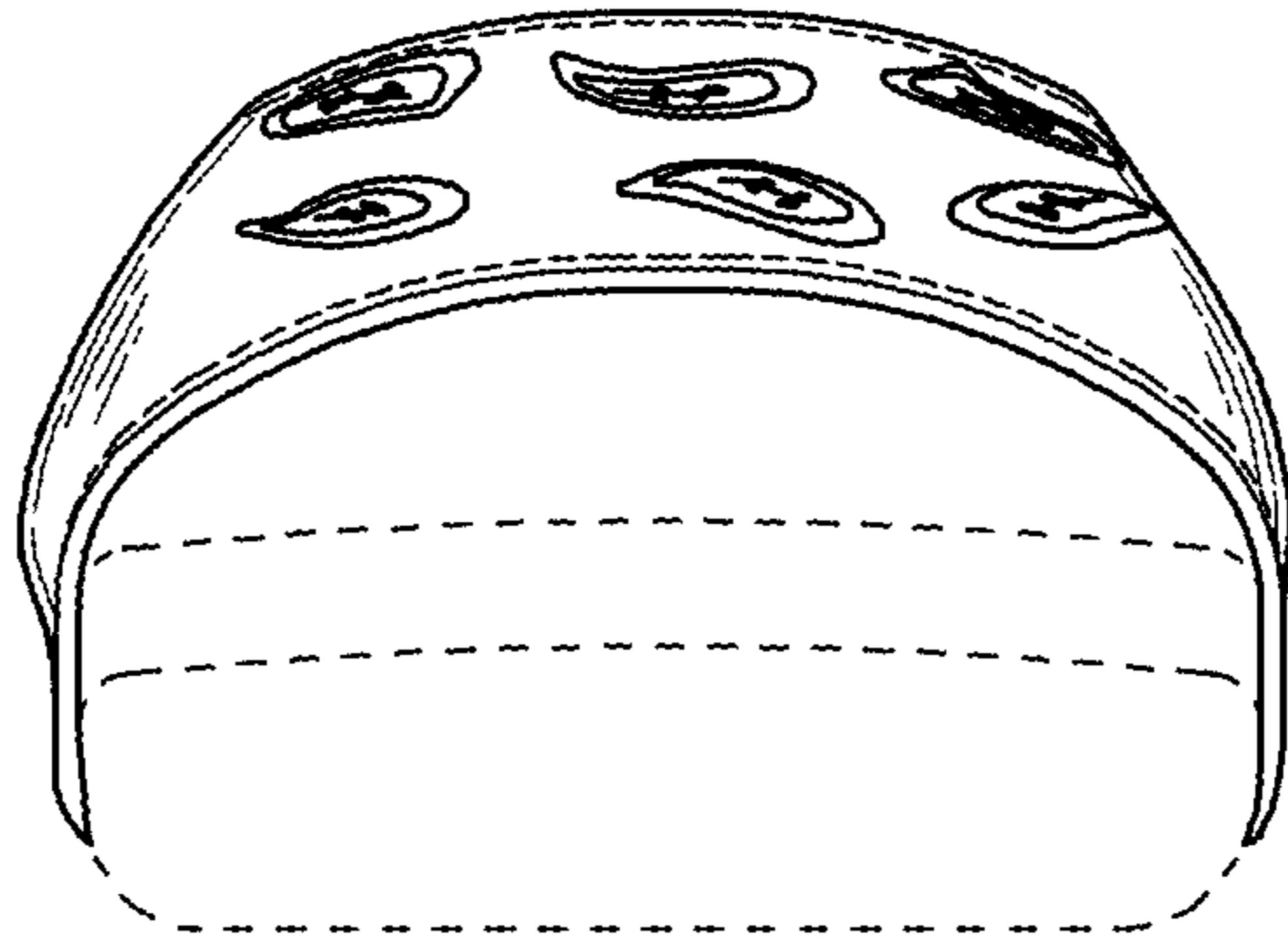


FIG. 2

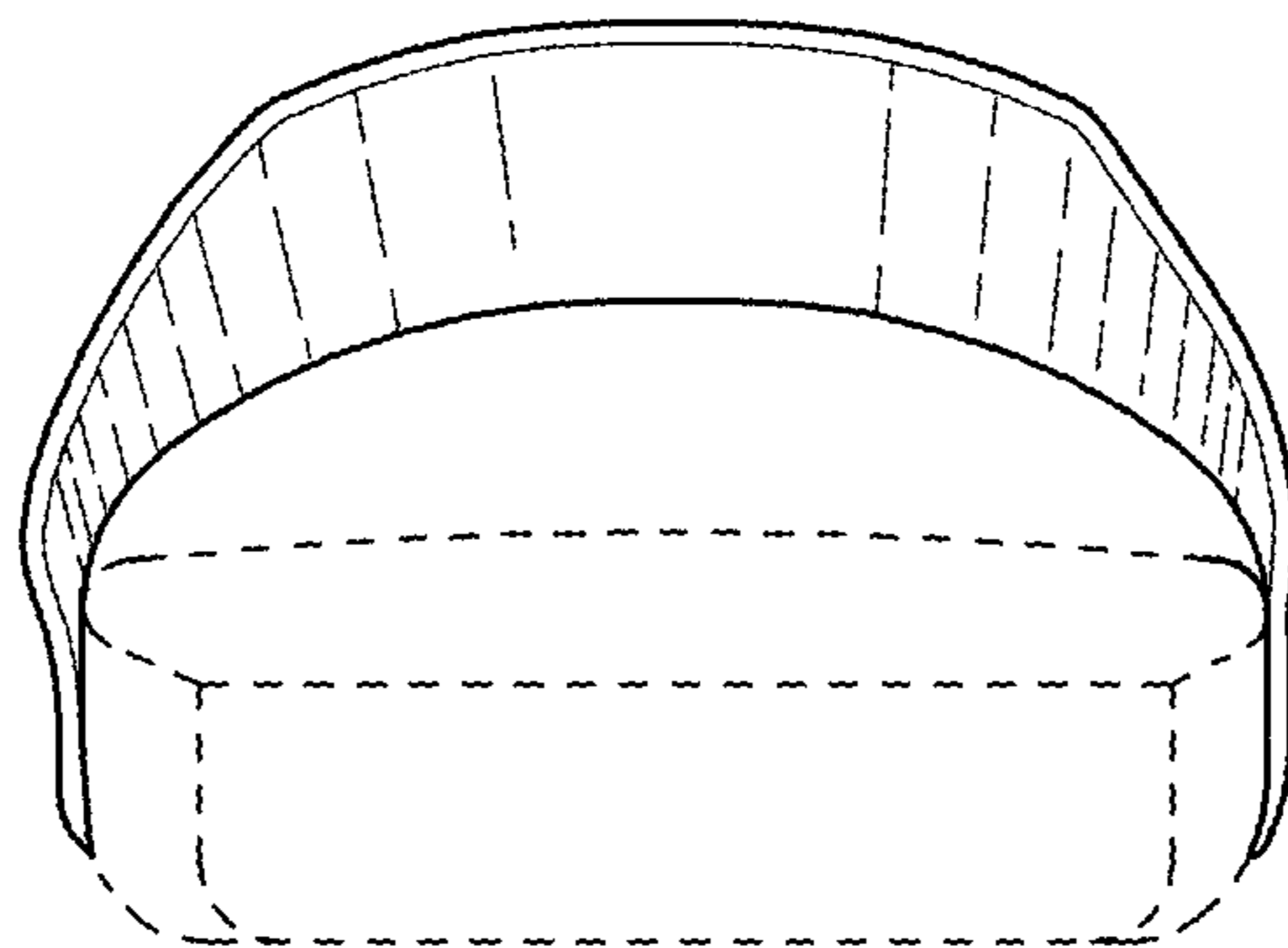


FIG. 3

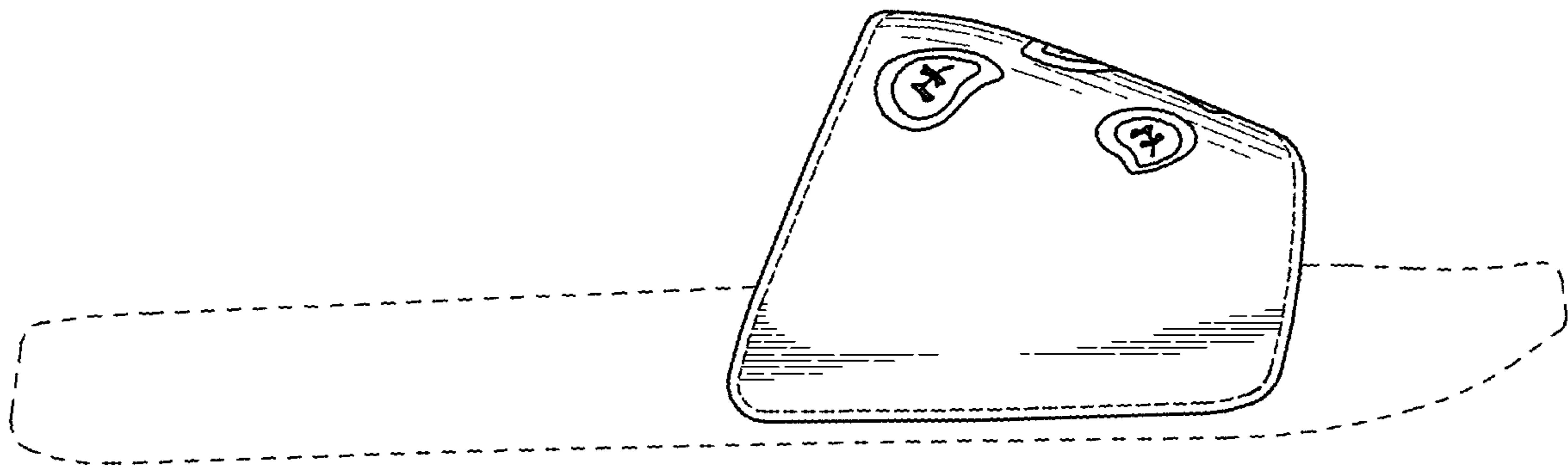


FIG. 4

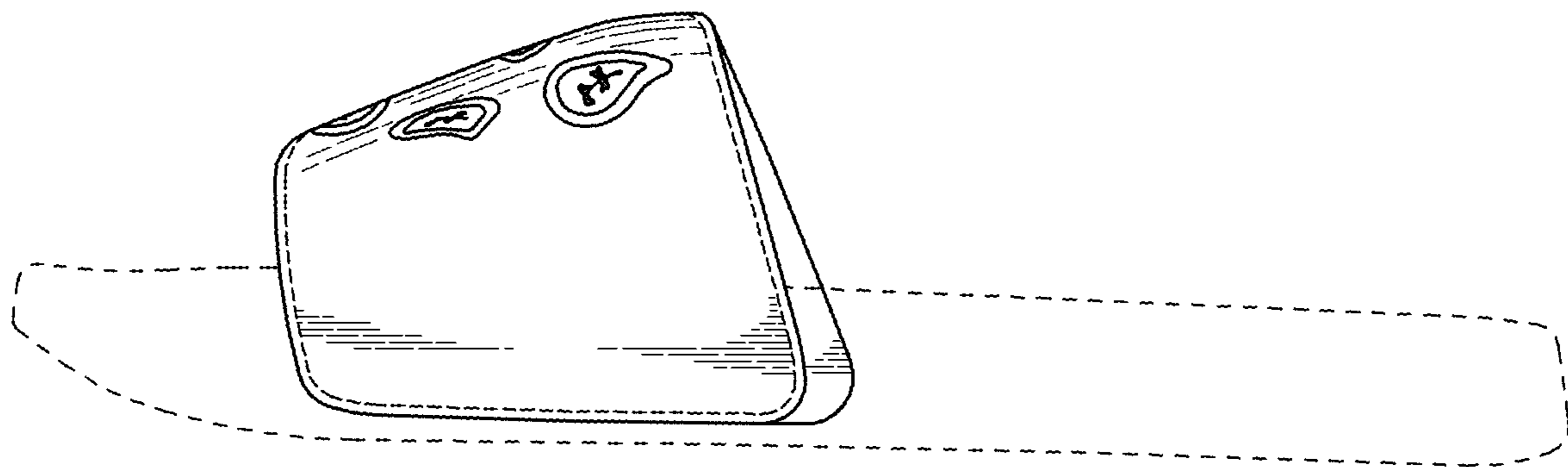


FIG. 5

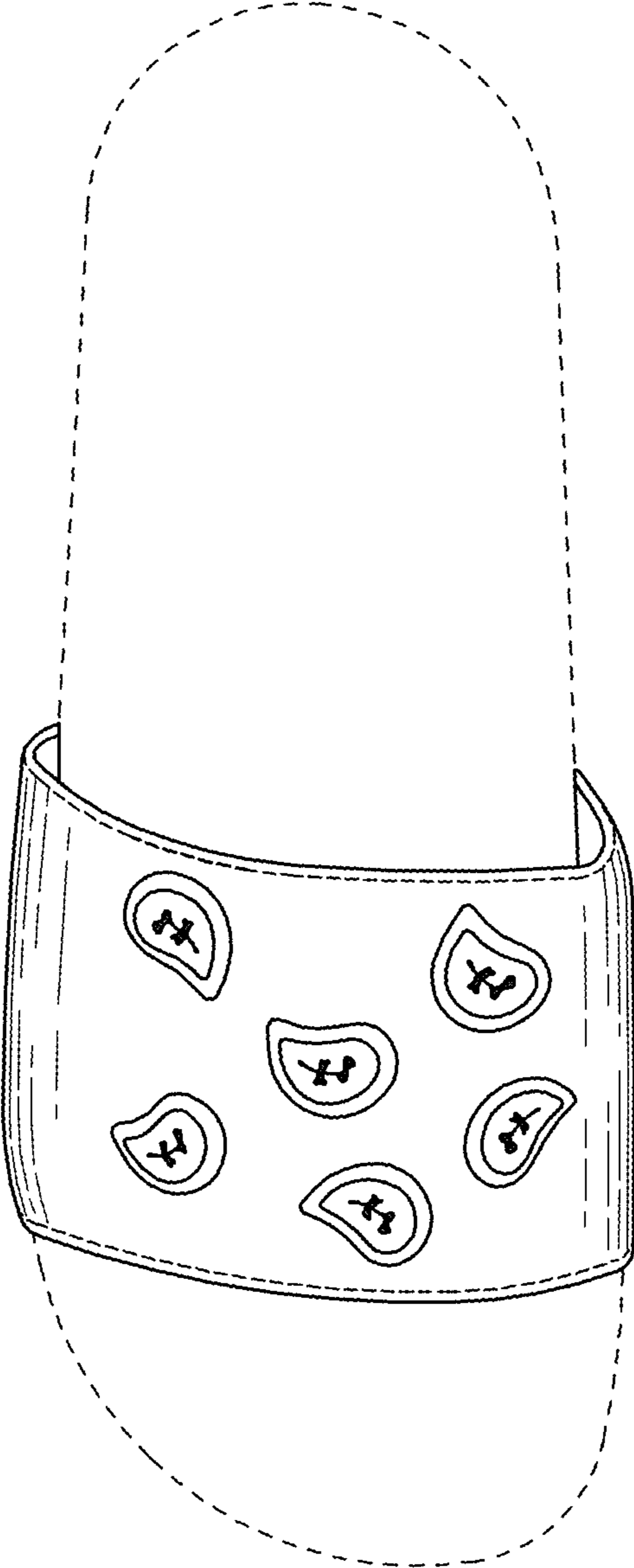


FIG. 6