

US00D963997S

(12) **United States Design Patent** (10) **Patent No.:** **US D963,997 S**
Kim (45) **Date of Patent:** **** Sep. 20, 2022**

(54) **ADJUSTABLE STRAP**
(71) Applicant: **YUPOONG, INC.**, Seoul (KR)
(72) Inventor: **Minji Kim**, Seoul (KR)
(73) Assignee: **YUPOONG, INC.**, Seoul (KR)
(**) Term: **15 Years**
(21) Appl. No.: **29/774,675**
(22) Filed: **Mar. 18, 2021**
(51) **LOC (13) Cl.** **02-03**
(52) **U.S. Cl.**
USPC **D2/891**
(58) **Field of Classification Search**
USPC D2/865, 866, 869, 872, 874, 877, 880,
D2/881, 882, 884, 891, 895, 999; D11/3,
D11/6, 12, 19, 24, 220
CPC A42B 1/00; A42B 1/002; A42B 1/004;
A42B 1/006; A42B 1/02; A42B 1/06;
A42B 1/205; A42B 1/22; A42B 1/24
See application file for complete search history.

(56) **References Cited**
U.S. PATENT DOCUMENTS
D324,193 S * 2/1992 Wen-Long D11/220
D342,595 S * 12/1993 Day D2/891
D375,827 S * 11/1996 Will D2/894
D753,375 S * 4/2016 Singleterry D2/891
D754,950 S * 5/2016 Singleterry D2/891
D771,914 S * 11/2016 Cho D2/891
10,238,185 B1 * 3/2019 Ong A44B 17/0041

D865,334 S * 11/2019 Kang D2/891
D892,467 S * 8/2020 Yoo D2/891
D925,871 S * 7/2021 Leatherman D2/891
D949,039 S * 4/2022 Akana D11/3
11,344,074 B2 * 5/2022 Cho A42B 1/22
2013/0205473 A1 * 8/2013 Kronenberger A42B 1/248
2/209.13
2014/0053319 A1 * 2/2014 Cho A42B 1/248
2/244

* cited by examiner

Primary Examiner — Jasmine Mlinarcik
(74) *Attorney, Agent, or Firm* — Lex IP Meister, PLLC

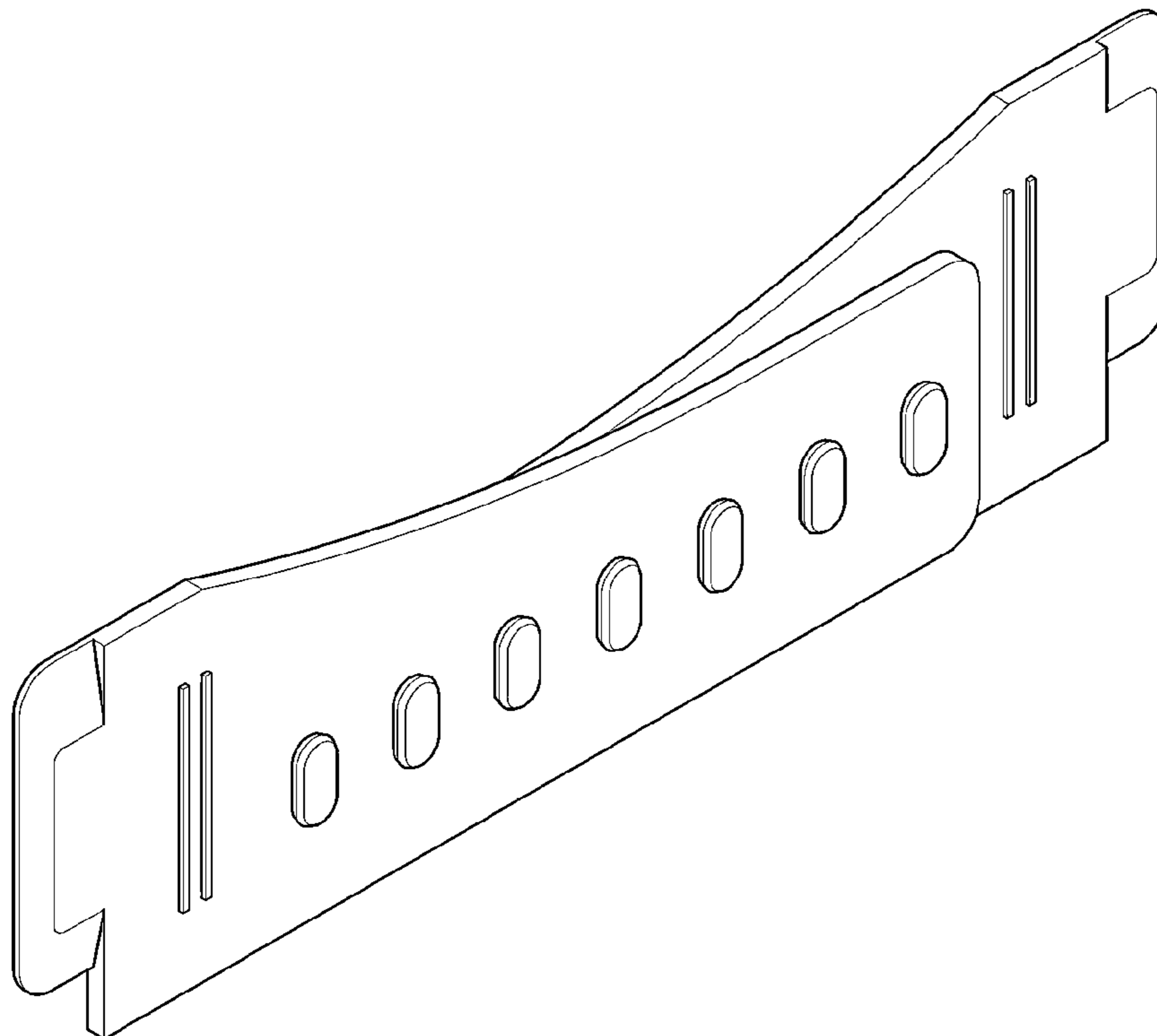
(57) **CLAIM**

The ornamental design for an adjustable strap, as shown and described.

DESCRIPTION

FIG. 1 is a front perspective view of the adjustable strap showing my design;
FIG. 2 is a front elevational view thereof;
FIG. 3 is a rear elevational view thereof;
FIG. 4 is a left side view thereof;
FIG. 5 is a right side view thereof;
FIG. 6 is a top plan view thereof;
FIG. 7 is a bottom plan view thereof;
FIG. 8 is a rear elevational view of the usage thereof; and,
FIG. 9 is an exploded view thereof.
In FIG. 8, the broken line showing of a cap is for illustrative purpose only and forms no part of the claimed design.

1 Claim, 5 Drawing Sheets



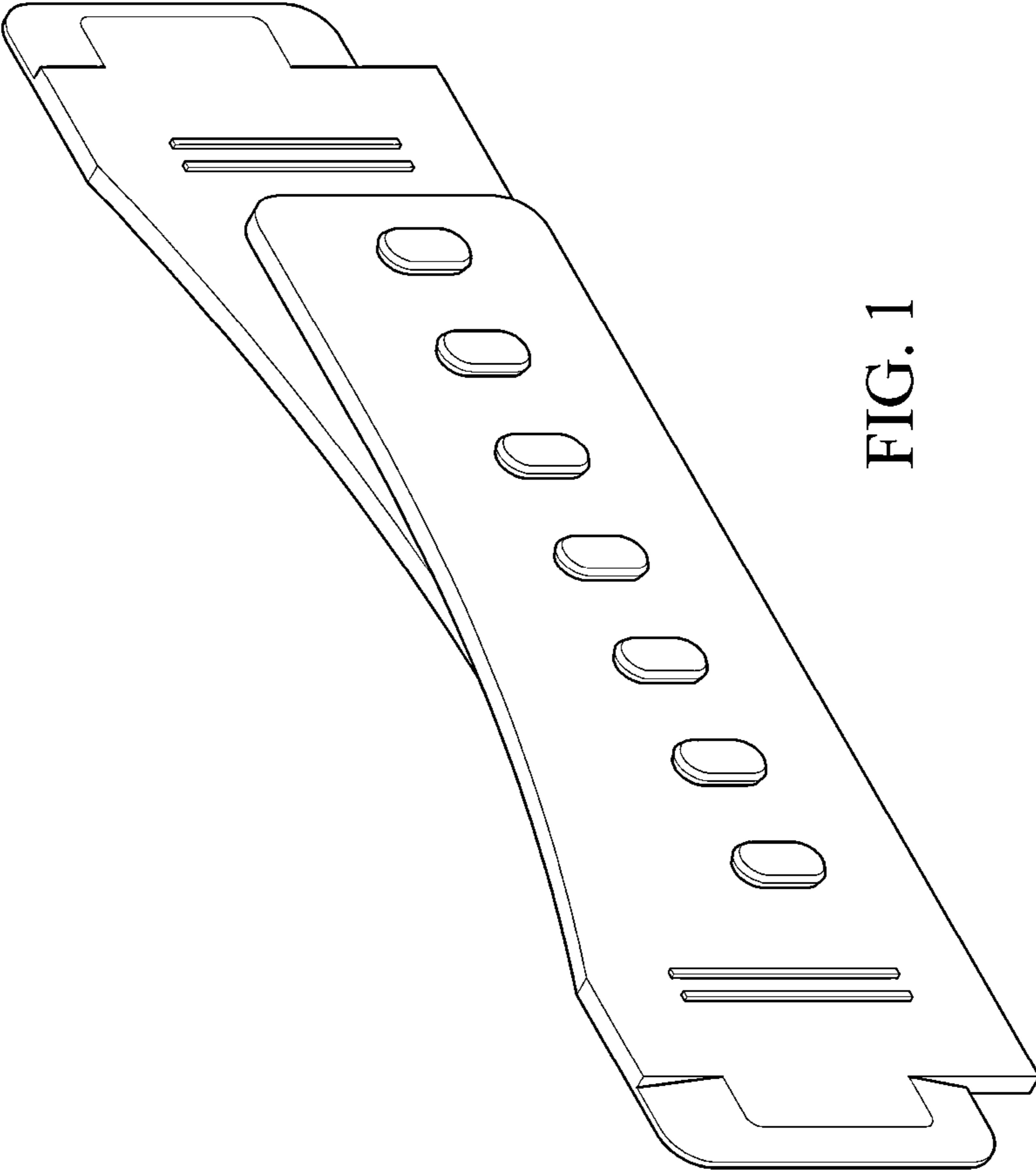


FIG. 1

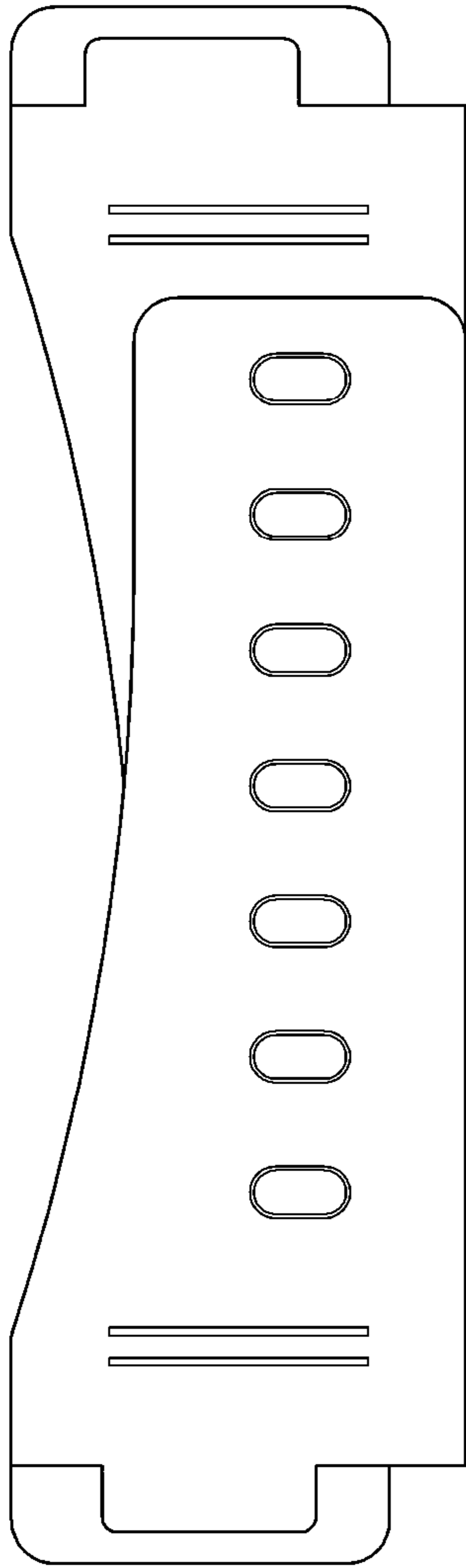


FIG. 2

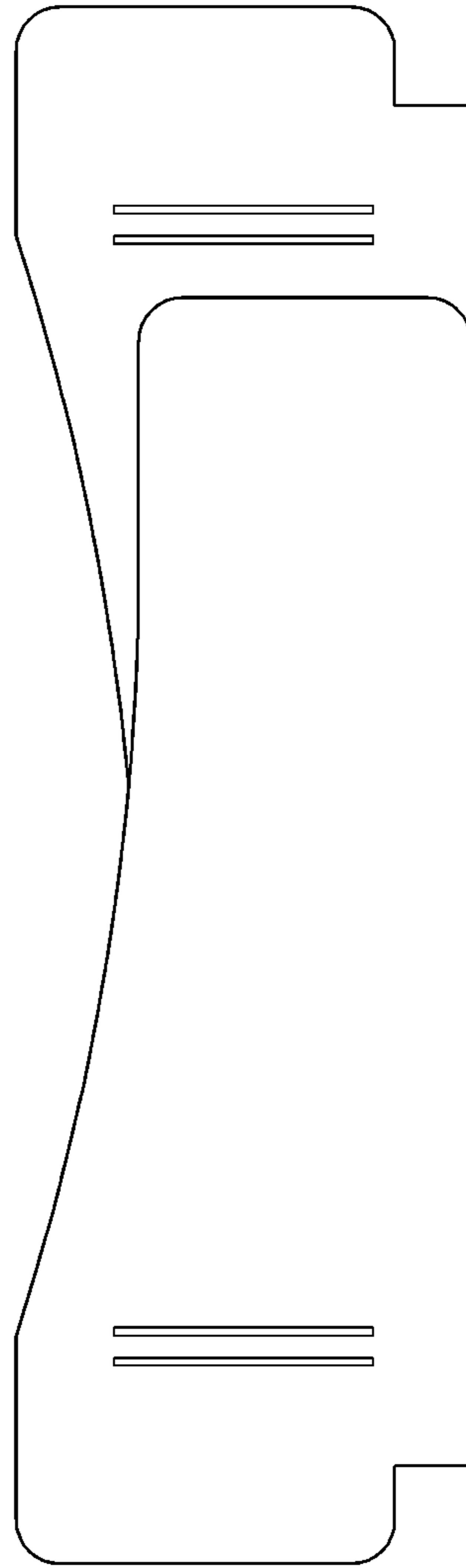


FIG. 3



FIG. 4



FIG. 5



FIG. 6

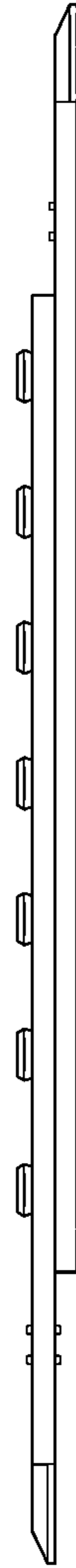


FIG. 7

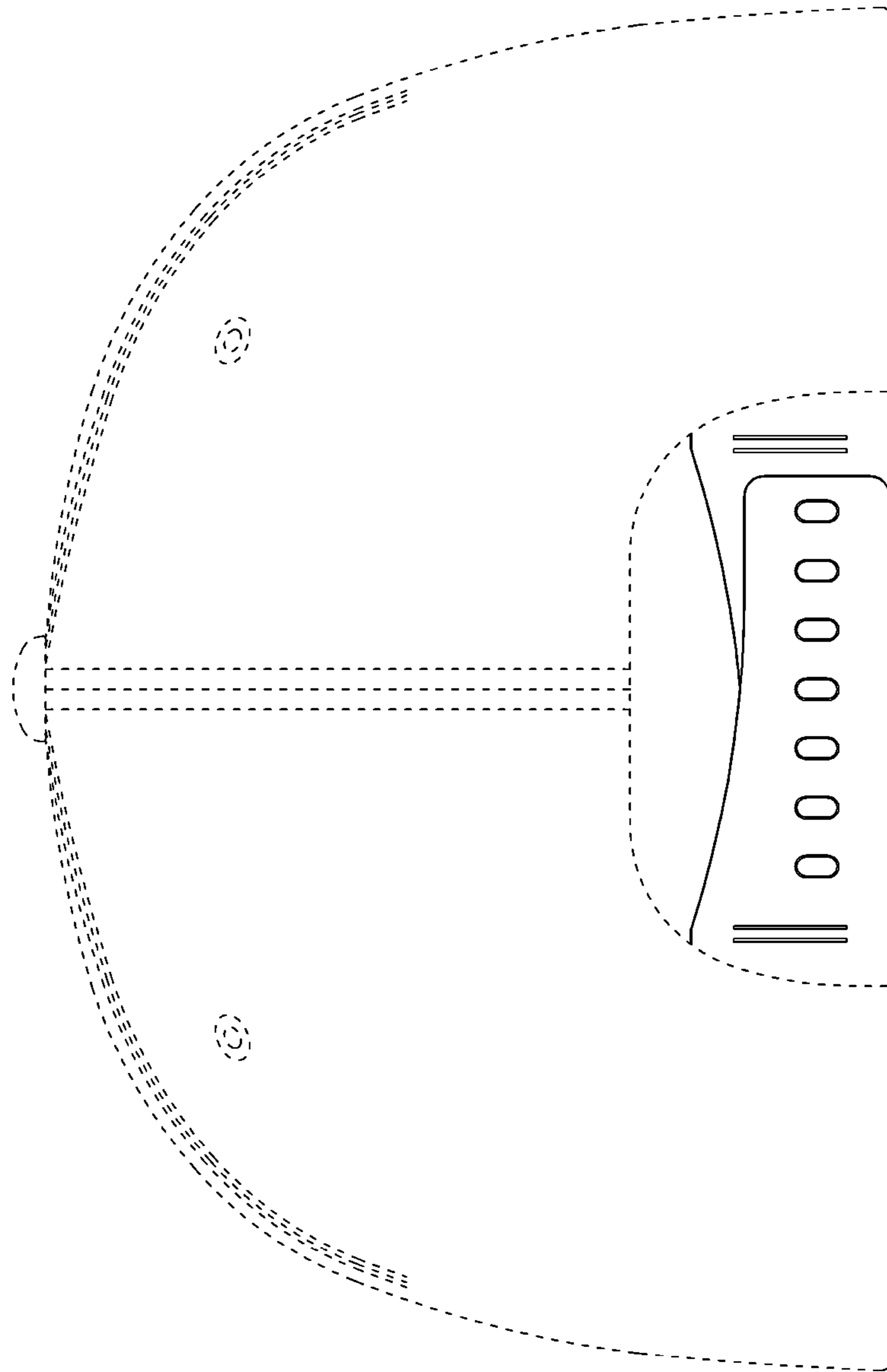


FIG. 8

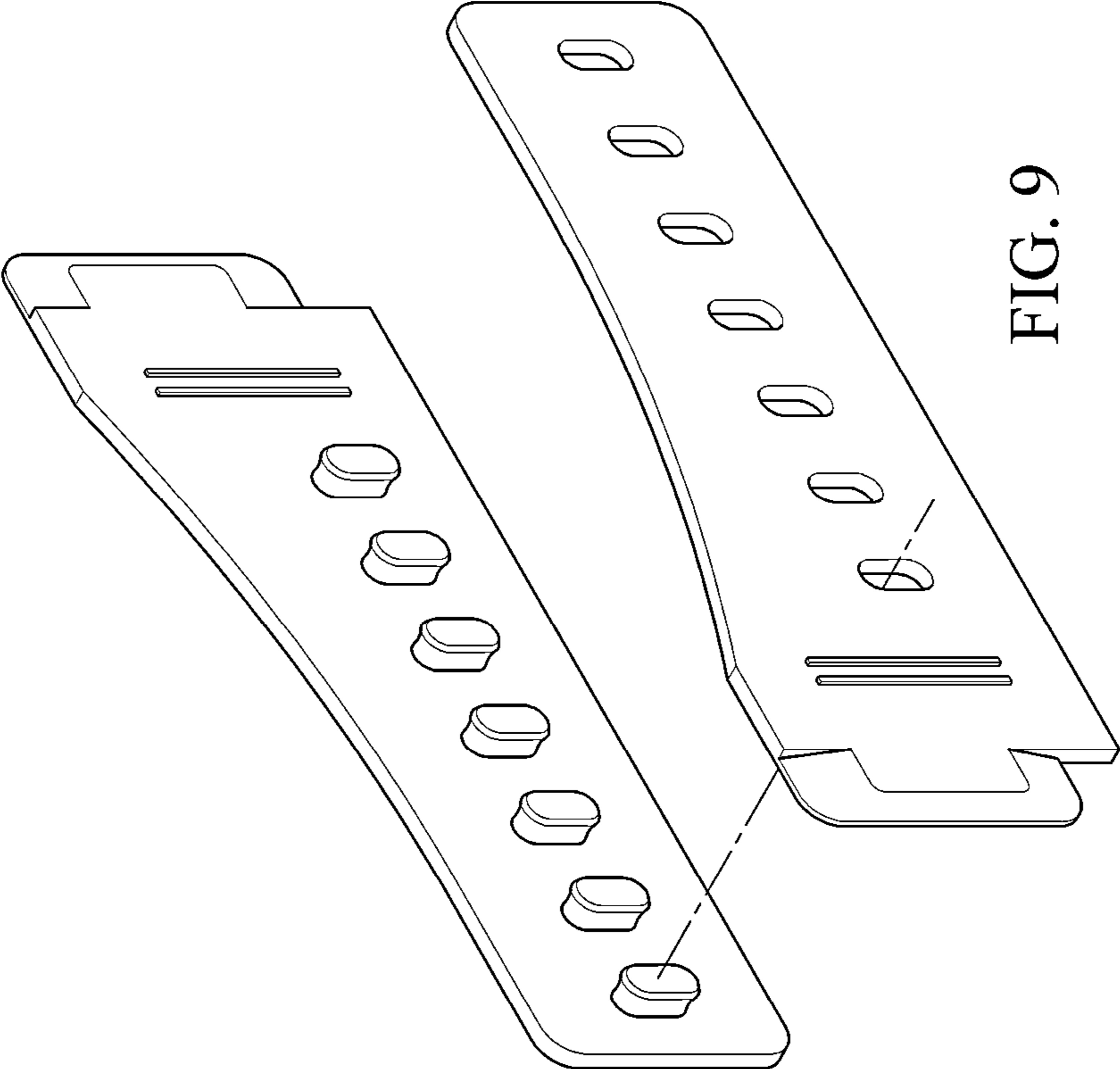


FIG. 9