



US00D963985S

(12) **United States Design Patent** (10) **Patent No.:** **US D963,985 S**  
**Cha et al.** (45) **Date of Patent:** **\*\* Sep. 13, 2022**

(54) **AUTOMATED TELLER MACHINE**

(56) **References Cited**

(71) Applicant: **HYOSUNG TNS INC.**, Seoul (KR)

U.S. PATENT DOCUMENTS

(72) Inventors: **Jae Min Cha**, Gyeonggi-do (KR); **Jae Min Park**, Gyeonggi-do (KR); **Hee Youn Lee**, Gyeonggi-do (KR)

D419,277	S	*	1/2000	Ishii	.....	D99/28
D456,587	S	*	4/2002	Kit	.....	D99/28
6,527,172	B1	*	3/2003	Lewis	.....	G07F 19/20 235/375
D492,080	S	*	6/2004	Magee	.....	D99/28
7,028,888	B2	*	4/2006	Laskowski	.....	G06Q 20/1085 235/379
D530,880	S	*	10/2006	Magee	.....	D99/28
D534,705	S	*	1/2007	Kang	.....	D99/28
D592,825	S	*	5/2009	Kang	.....	D99/28
7,533,802	B1	*	5/2009	McGinley	.....	G07F 19/20 235/376

(73) Assignee: **HYOSUNG TNS INC.**, Seoul (KR)

(\*\*) Term: **15 Years**

(21) Appl. No.: **29/757,801**

(22) Filed: **Nov. 10, 2020**

(Continued)

(30) **Foreign Application Priority Data**

OTHER PUBLICATIONS

May 12, 2020 (KR) ..... 30-2020-0020559

(51) **LOC (13) Cl.** ..... **99-00**

(52) **U.S. Cl.**

USPC ..... **D99/28**

(58) **Field of Classification Search**

USPC ..... D99/28, 34, 35, 36, 43, 99;  
D14/300-302, 305, 307, 900-902;  
D18/3.1-3.3, 4.1-4.6, 12.1-12.3;  
D21/324, 325, 329, 369; 101/66;  
109/1 R, 1 V, 2, 23, 24.1, 25, 58, 58.5,  
109/66; 446/8-13; 705/16, 17, 18, 42,  
705/43, 44, 45; 235/51, 379, 380, 381,  
235/382, 382.5, 386; 206/0.8, 0.81,  
206/0.185, 0.82, 0.84

CPC .. G06Q 20/10; G06Q 20/108; G06Q 20/1085;  
G06Q 20/18; G07D 1/00; G07D 1/02;  
G07D 1/04; G07D 1/06; G07D 11/00;  
G07D 9/002; G07D 9/04; G07F 19/20;  
G07F 19/201; G07F 19/202; G07F  
19/203; G07F 19/204; G07F 19/205;  
G07F 19/21; G07F 19/00; G07F 7/04;  
G07F 5/00; G07F 1/00; E05G 7/001;  
E05G 1/006; A63H 3/00; A63H 3/005

See application file for complete search history.

ATM Machine Electronic Manufacturing, [https://www.3cems.com/atm-machine-electronic-manufacturing\\_p37.html](https://www.3cems.com/atm-machine-electronic-manufacturing_p37.html), copyright 2018. (Year: 2018).\*

*Primary Examiner* — Elizabeth J Oswecki

(74) *Attorney, Agent, or Firm* — Bacon & Thomas, PLLC

(57) **CLAIM**

The ornamental design for an automated teller machine, as shown and described.

**DESCRIPTION**

FIG. 1 is a perspective view of an automated teller machine, showing our new design;  
FIG. 2 is a front elevation view thereof;  
FIG. 3 is a rear elevation view thereof;  
FIG. 4 is a left side elevation view thereof;  
FIG. 5 is a right side elevation view thereof;  
FIG. 6 is a top plan view thereof; and,  
FIG. 7 is a bottom plan view thereof.  
Portions of the ATM shown in broken lines form no part of the claimed design.

**1 Claim, 7 Drawing Sheets**

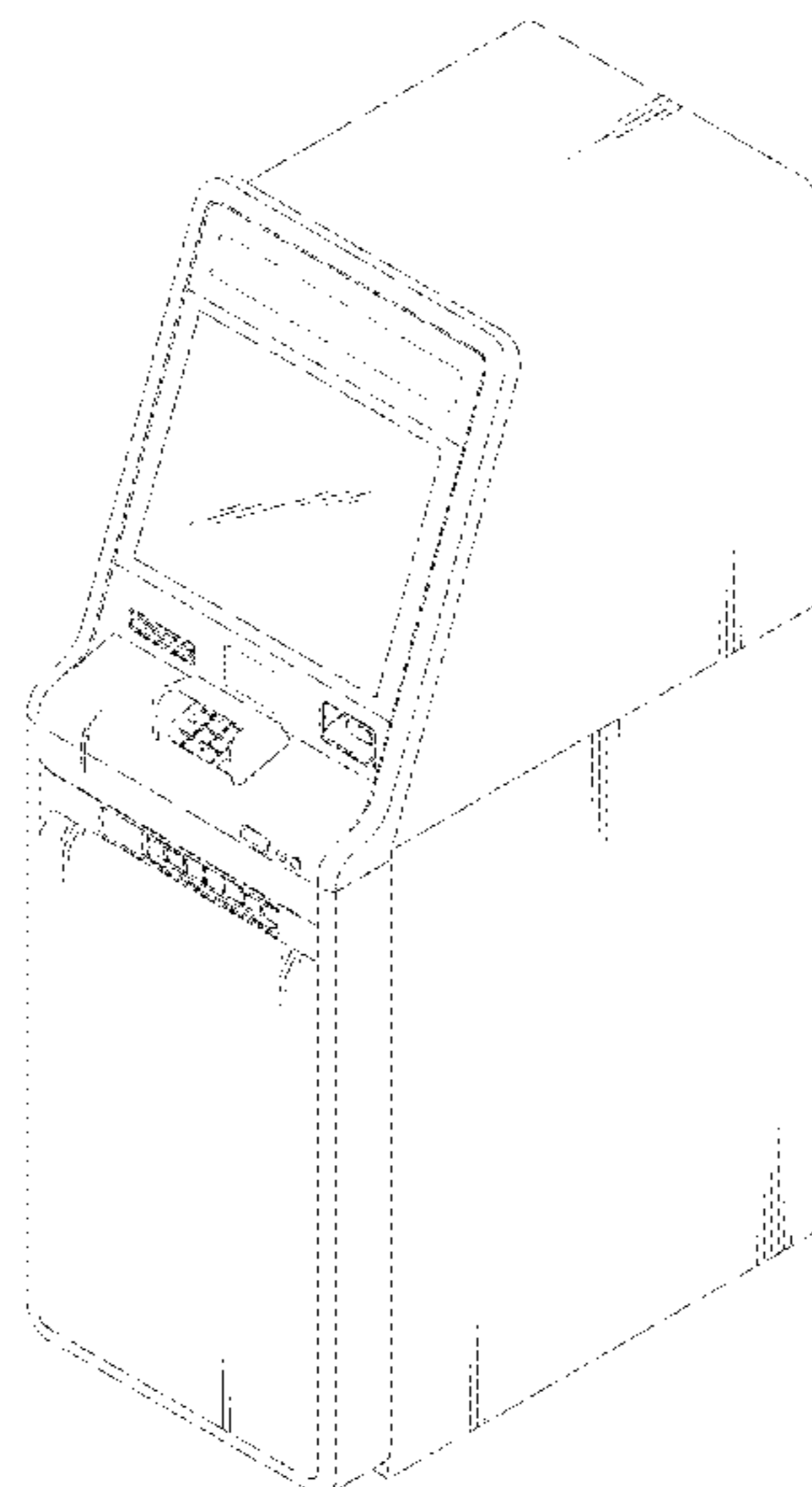




Fig 1

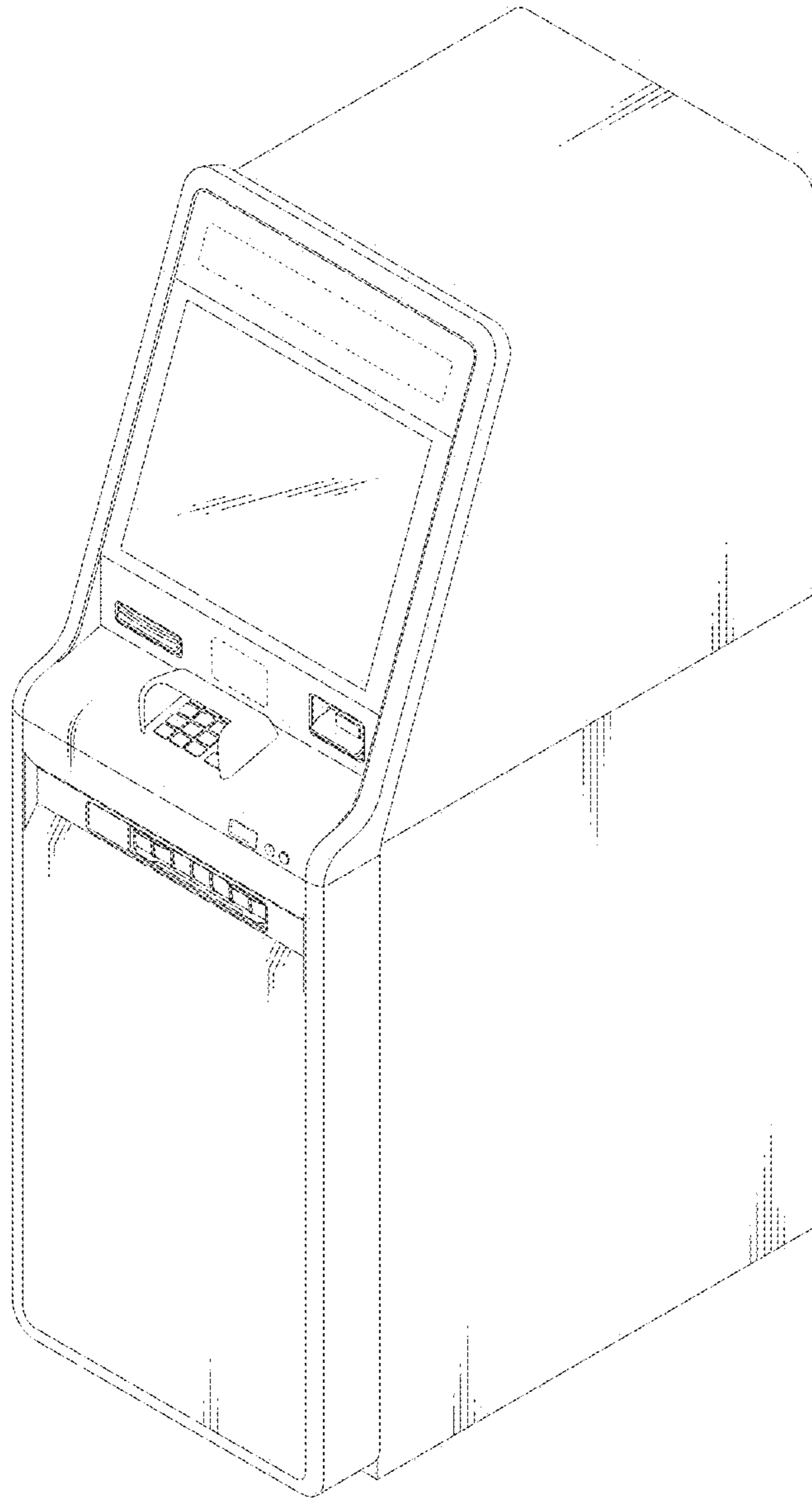


Fig 2

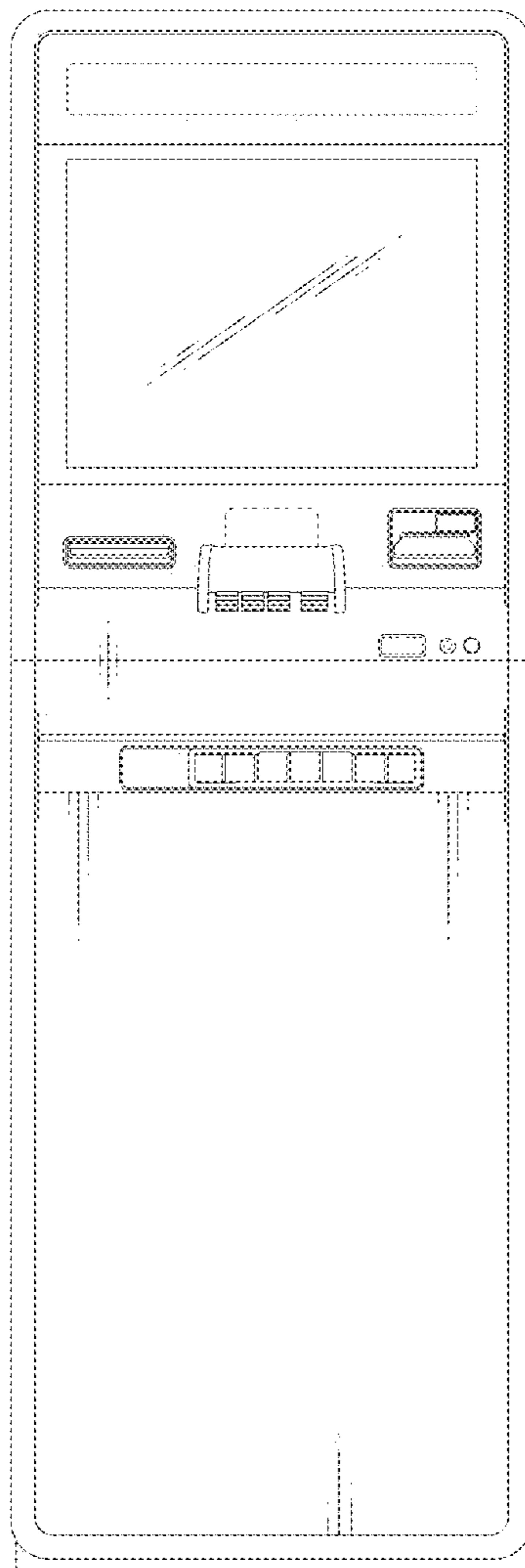


Fig 3

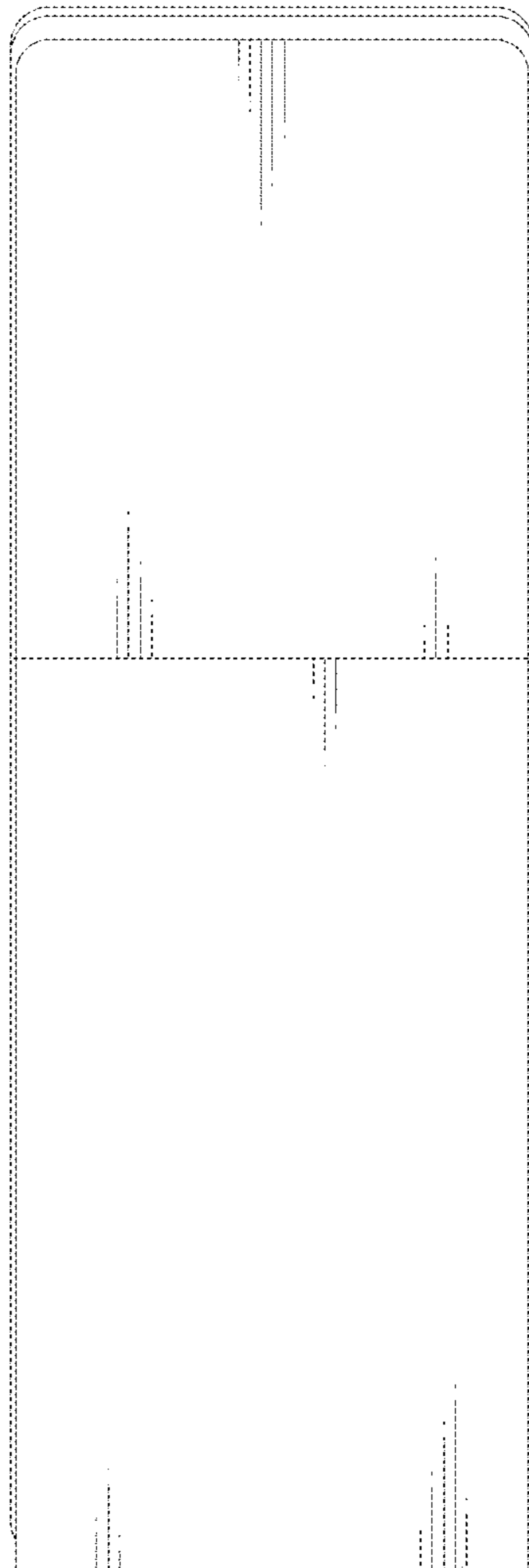


Fig 4

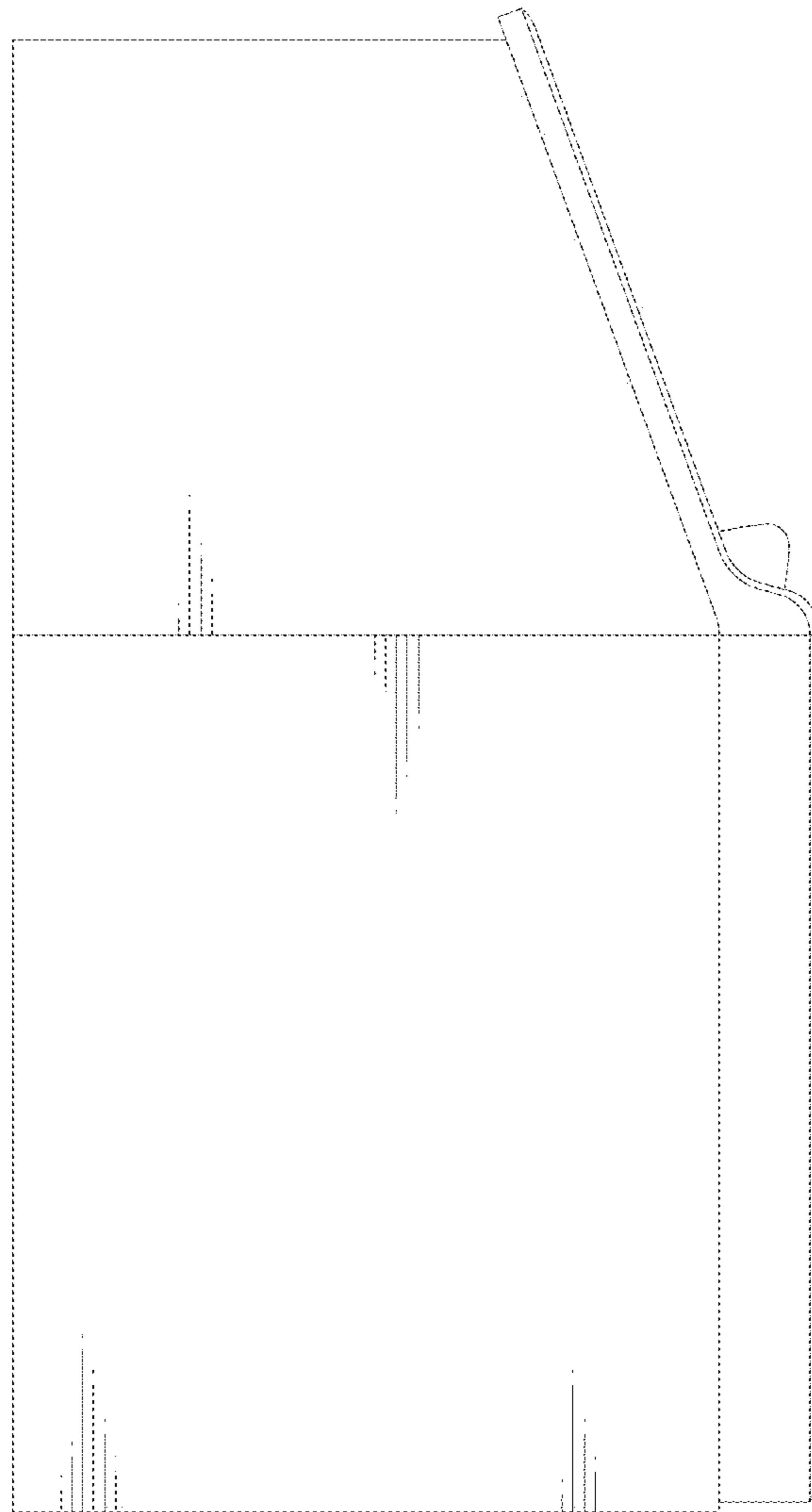


Fig 5

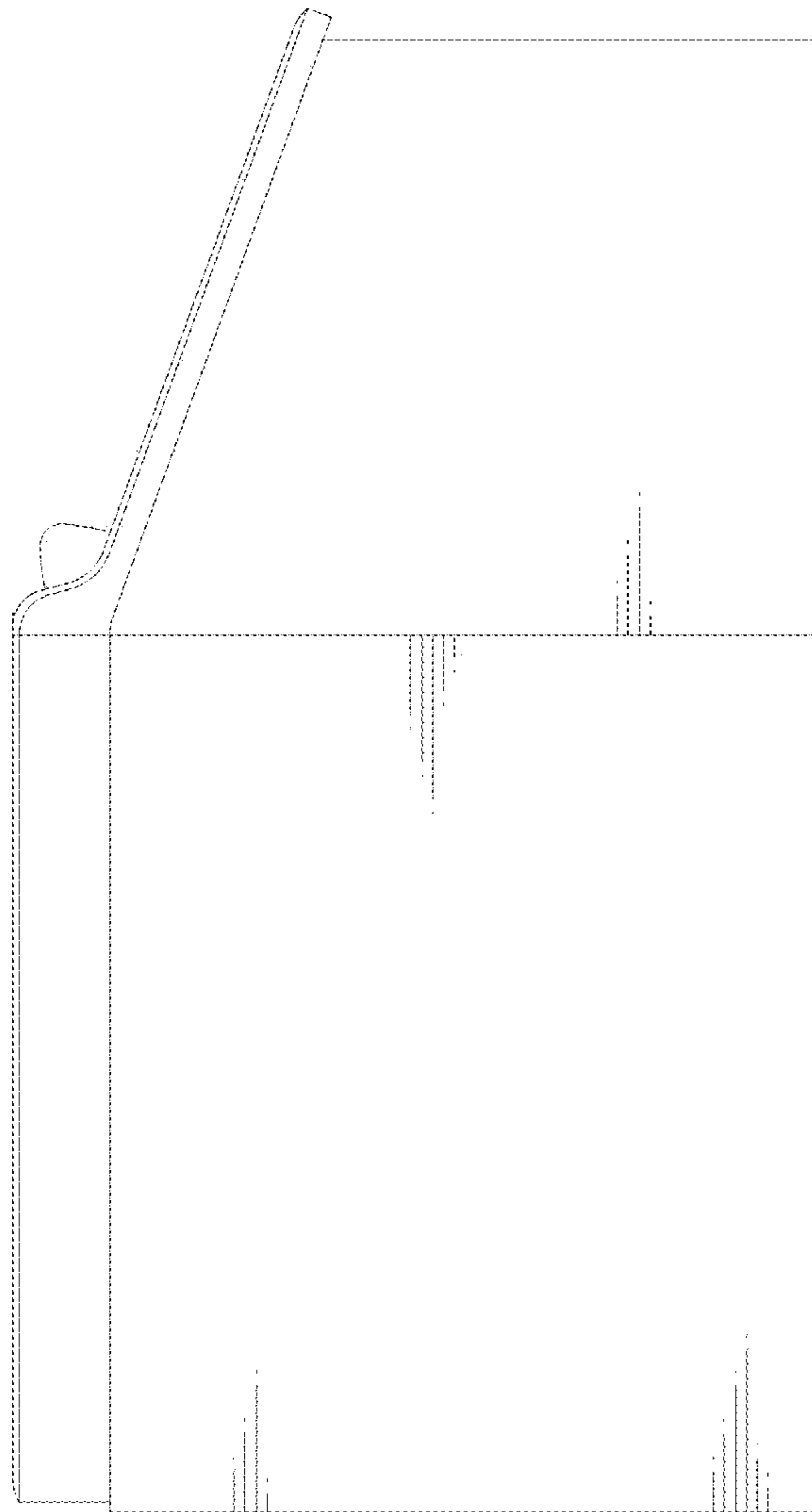


Fig 6

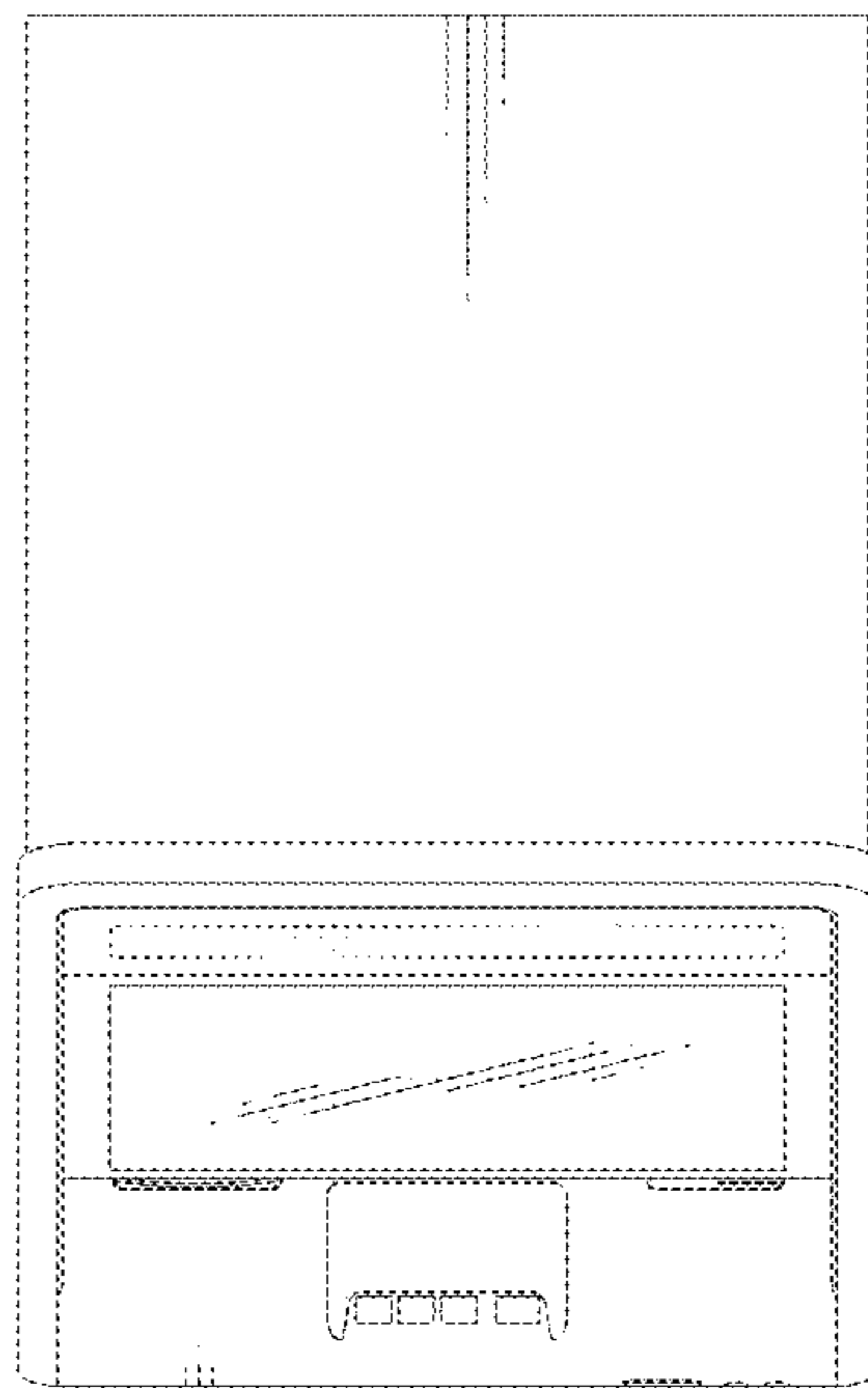




Fig 7

