



US00D963984S

(12) **United States Design Patent** (10) **Patent No.:** **US D963,984 S**  
**Robinson** (45) **Date of Patent:** **\*\* Sep. 13, 2022**

(54) **MODULAR PALLET**  
(71) Applicant: **William Stuart Robinson**, Vancouver (CA)

D291,935 S 9/1987 Nordstrom  
D316,319 S 4/1991 Bathon  
D331,470 S 12/1992 Mitchell  
(Continued)

(72) Inventor: **William Stuart Robinson**, Vancouver (CA)

**FOREIGN PATENT DOCUMENTS**

(\*\*) Term: **15 Years**

CN 105416766 A 3/2016  
CN 105711930 A 6/2016  
(Continued)

(21) Appl. No.: **29/741,867**

*Primary Examiner* — Cynthia Ramirez

(22) Filed: **Jul. 16, 2020**

(74) *Attorney, Agent, or Firm* — Oyen Wiggs Green & Mutala LLP

**Related U.S. Application Data**

(62) Division of application No. 29/653,268, filed on Jun. 13, 2018, now Pat. No. Des. 893,825.

(51) **LOC (13) Cl.** ..... **09-08**

(52) **U.S. Cl.**  
USPC ..... **D34/38**

(58) **Field of Classification Search**  
USPC ..... D34/38  
CPC ..... B65D 19/00; B65D 19/02; B65D 19/38;  
B65D 19/06; B65D 19/12; B65D 19/0038; B65D 19/0012; B65D 19/0095;  
B65D 2519/00; B65D 2519/02; B65D 2519/38; B65D 2519/06; B65D 2519/12;  
B65D 2519/0038; B65D 2519/0012;  
B65D 2519/0095

See application file for complete search history.

(56) **References Cited**

**U.S. PATENT DOCUMENTS**

3,058,709 A 10/1962 Moss  
D231,091 S 4/1974 Wilson  
D231,096 S 4/1974 Adam  
D231,653 S 5/1974 Schell  
3,861,326 A 1/1975 Brown  
3,878,796 A 4/1975 Morgan  
4,220,099 A 9/1980 Marchesano  
D267,386 S 12/1982 Kneale, III

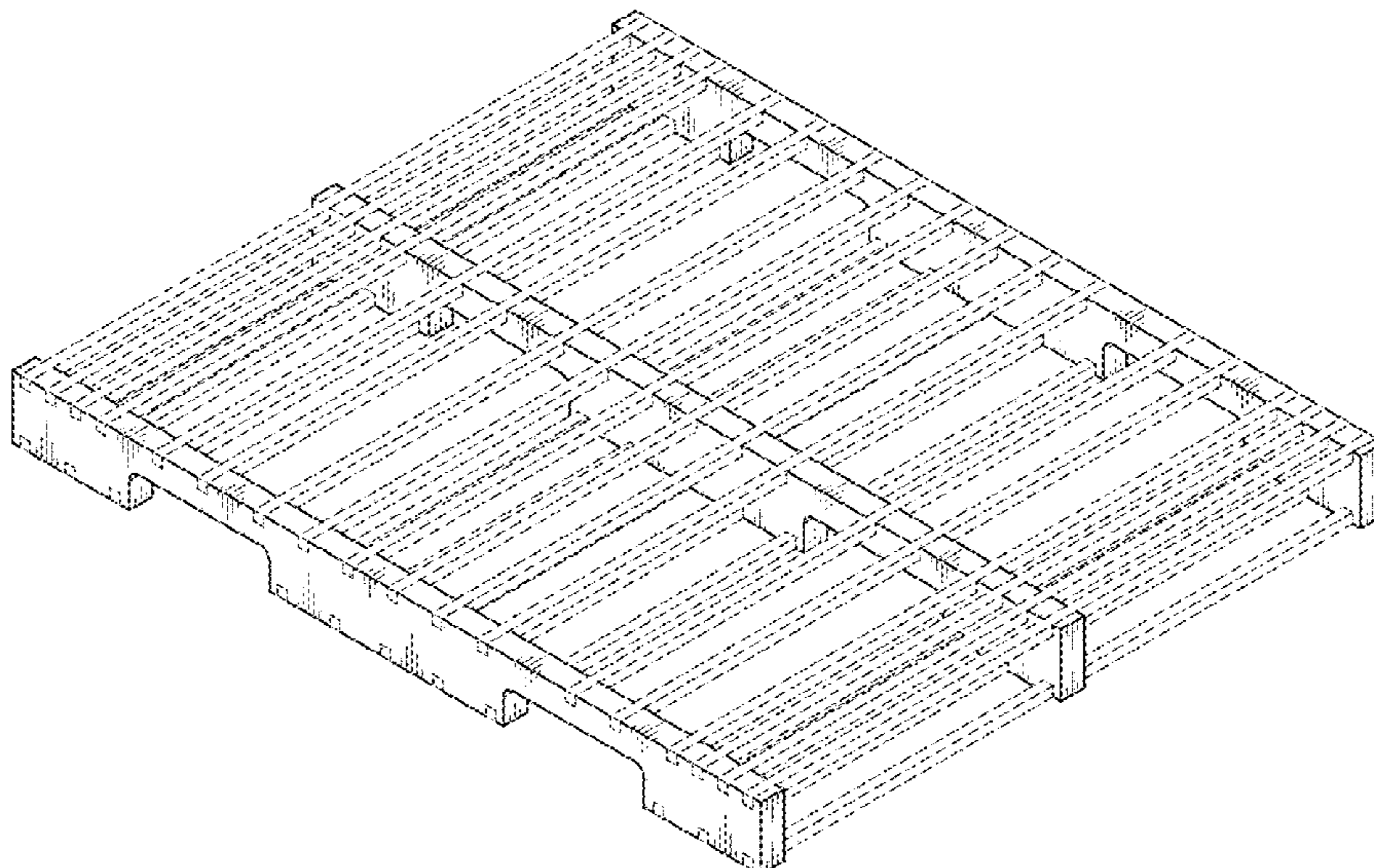
(57) **CLAIM**

The ornamental design for a modular pallet, as shown and described.

**DESCRIPTION**

FIG. 1 is a top isometric view of a modular pallet showing a first embodiment of the new design;  
FIG. 2 is a bottom isometric view thereof;  
FIG. 3 is a top plan view thereof;  
FIG. 4 is a bottom plan view thereof;  
FIG. 5 is a first side elevational view thereof;  
FIG. 6 is a second side elevational view thereof;  
FIG. 7 is a first end elevational view thereof;  
FIG. 8 is a second end elevational view thereof;  
FIG. 9 is a top isometric view of a modular pallet showing a second embodiment of the new design;  
FIG. 10 is a bottom isometric view thereof;  
FIG. 11 is a top plan view thereof;  
FIG. 12 is a bottom plan view thereof;  
FIG. 13 is a first side elevational view thereof;  
FIG. 14 is a second side elevational view thereof;  
FIG. 15 is a first end elevational view thereof; and,  
FIG. 16 is a second end elevational view thereof.  
The broken lines in the figures show portions of the modular pallet, which form no part of the claimed design.

**1 Claim, 10 Drawing Sheets**



(56)

References Cited

U.S. PATENT DOCUMENTS

D335,743 S 5/1993 Nordstrom  
 5,440,998 A 8/1995 Morgan, IV et al.  
 5,879,495 A 3/1999 Evans  
 6,216,608 B1 4/2001 Woods  
 D645,634 S 9/2011 Moore  
 D645,635 S 9/2011 Moore  
 D776,398 S \* 1/2017 Herbeck ..... D34/38  
 D855,926 S \* 8/2019 Segerstrom ..... D34/38  
 10,647,470 B2 5/2020 Robinson  
 D893,825 S \* 8/2020 Robinson ..... D34/38  
 D905,374 S \* 12/2020 Ruiz Estrella ..... D34/38  
 2004/0000259 A1 1/2004 Taft  
 2004/0173483 A1 \* 9/2004 Sutt, Jr. .... B65D 19/0095  
 2005/0072700 A1 \* 4/2005 Sutt, Jr. .... B65D 19/38  
 2006/0096508 A1 5/2006 Herring  
 2008/0066657 A1 3/2008 Kuo  
 2010/0182150 A1 \* 7/2010 Edelstain ..... B65D 19/38  
 2010/0229764 A1 \* 9/2010 Ingham ..... B65D 19/0095  
 2012/0132114 A1 5/2012 Krupka et al.  
 2012/0298015 A1 11/2012 Jian  
 2013/0032064 A1 \* 2/2013 Randall ..... B65D 19/0004  
 2013/0189470 A1 7/2013 Roberts, Jr.

2013/0277267 A1 \* 10/2013 Valiulis ..... B65D 19/38  
 2014/0147640 A1 \* 5/2014 Budi ..... B27K 5/00  
 2014/0174327 A1 \* 6/2014 Whiteford ..... B65D 19/38  
 2014/0251188 A1 9/2014 Jordan  
 2014/0251189 A1 \* 9/2014 Takyar ..... B65D 19/0095  
 2014/0251190 A1 \* 9/2014 Kessler ..... B65D 19/38  
 2015/0122160 A1 5/2015 Frautschi  
 2015/0274357 A1 \* 10/2015 Linares ..... B27N 3/02  
 2015/0321792 A1 \* 11/2015 Joung ..... B65D 19/0004  
 2016/0207663 A1 \* 7/2016 Pisano ..... B65D 19/0095  
 2017/0190463 A1 \* 7/2017 De Beer ..... B65D 19/0095  
 2018/0162588 A1 \* 6/2018 Segerstrom ..... B65D 19/0093  
 2019/0047747 A1 \* 2/2019 Lantz ..... B65D 19/0095  
 2019/0300254 A1 \* 10/2019 Tattam ..... B65D 71/0096  
 2020/0399015 A1 \* 12/2020 Segerstrom ..... B65D 19/38

FOREIGN PATENT DOCUMENTS

EP 2407391 A1 1/2012  
 FR 2595661 A1 9/1987  
 JP 3065500 U 2/2000  
 WO 9521093 A1 8/1995  
 WO 02062670 A1 8/2002

\* cited by examiner

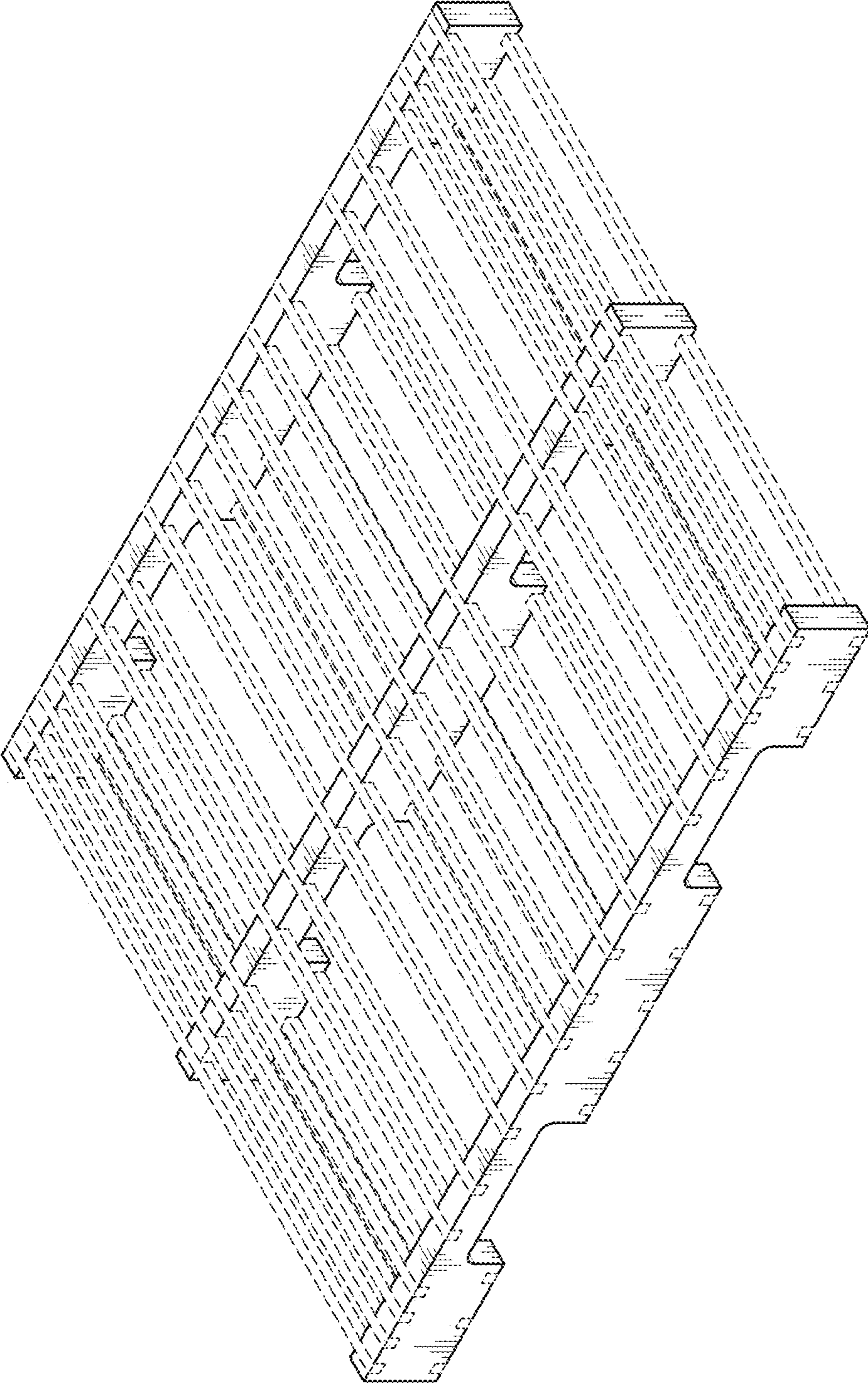


FIG. 1

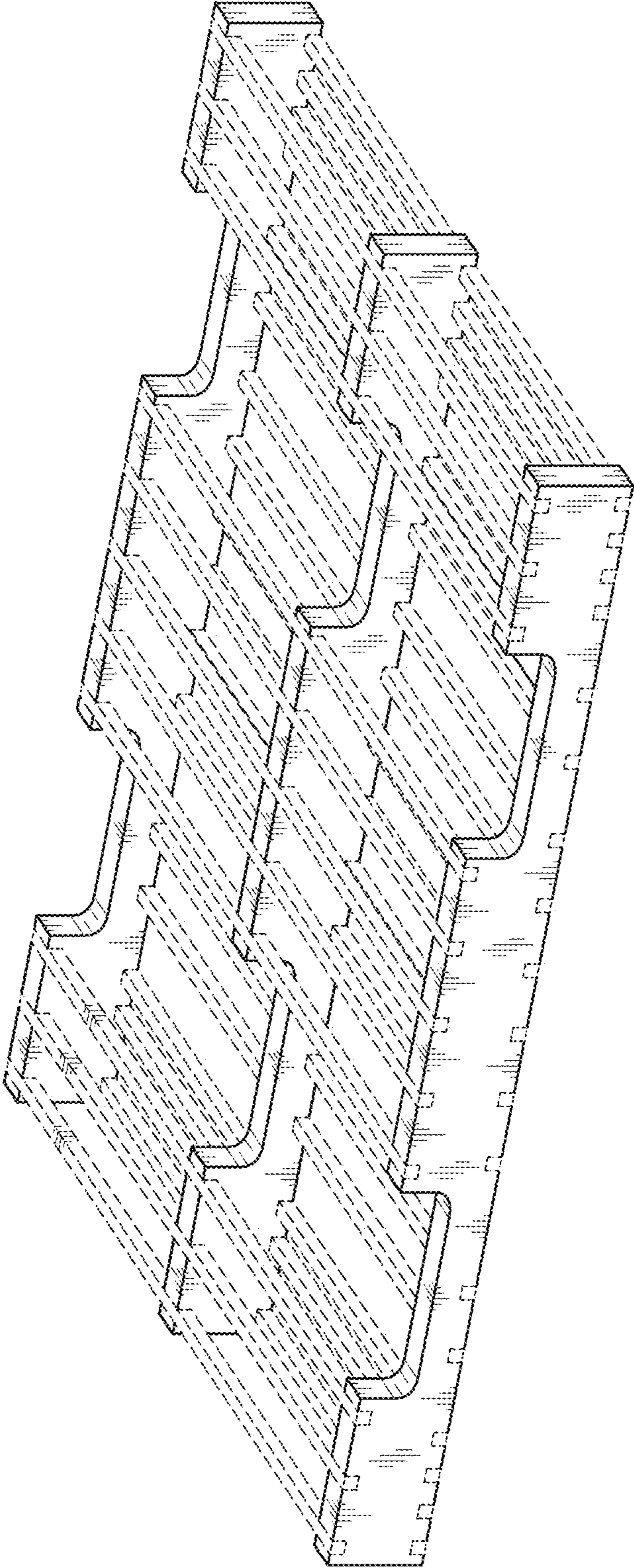


FIG.2

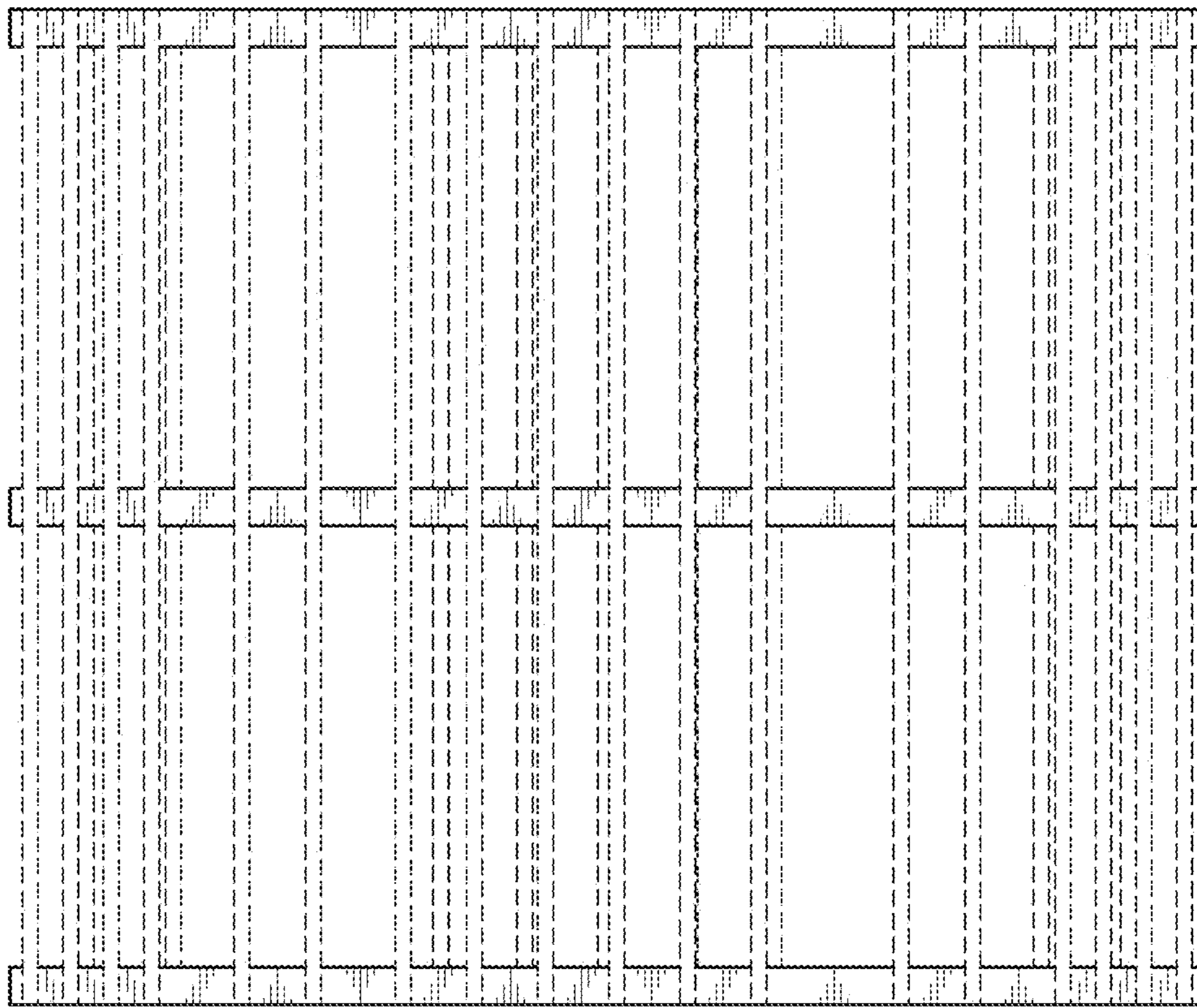


FIG. 3

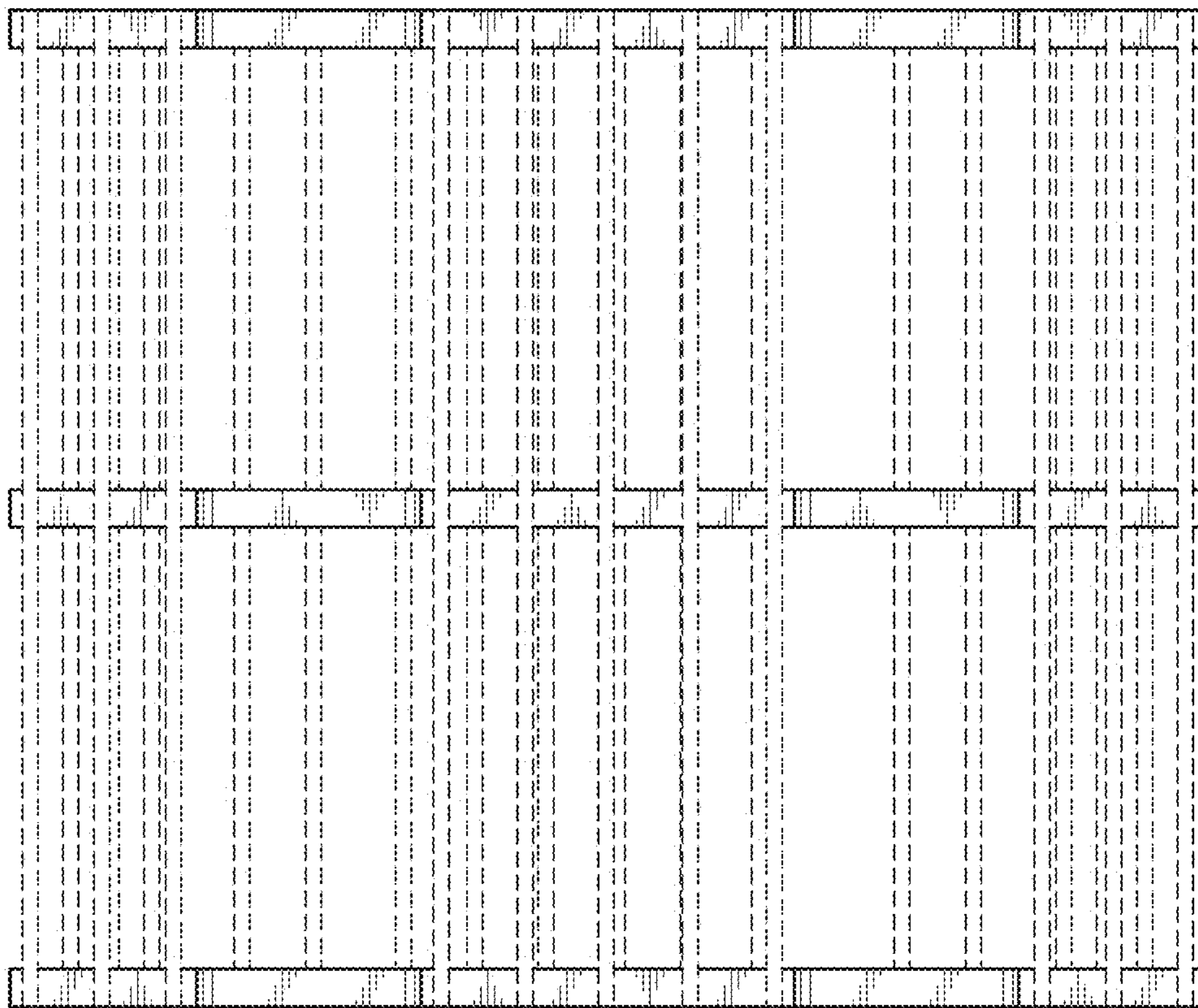


FIG. 4

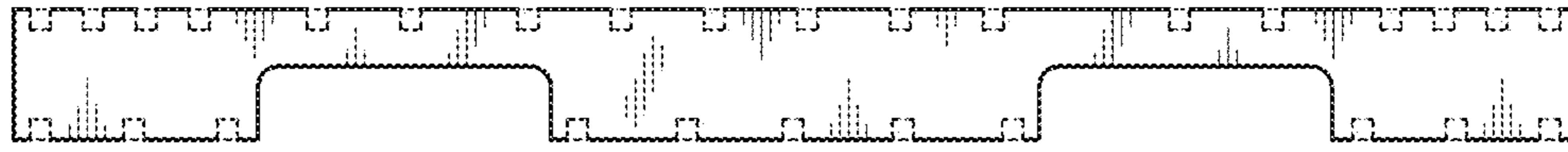


FIG. 5

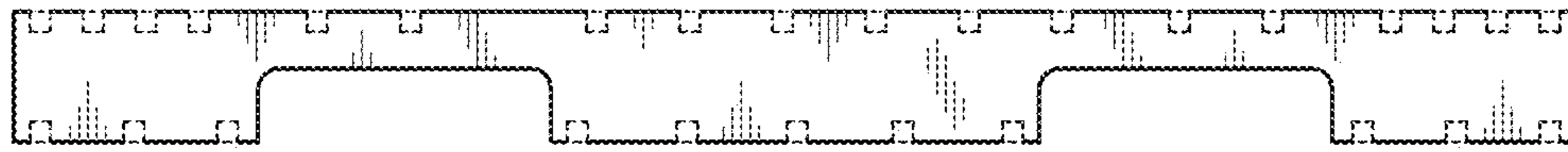


FIG. 6

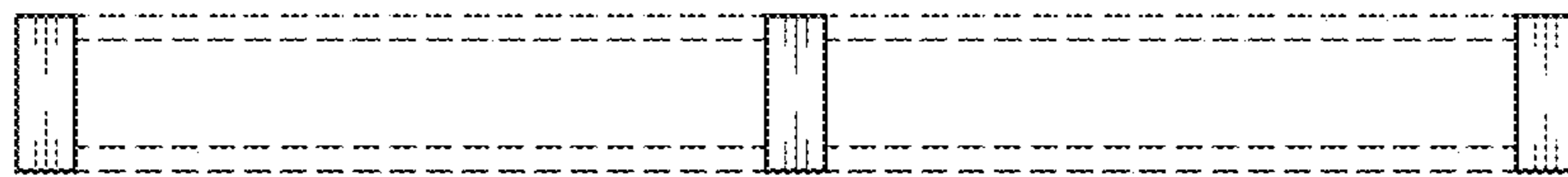


FIG. 7

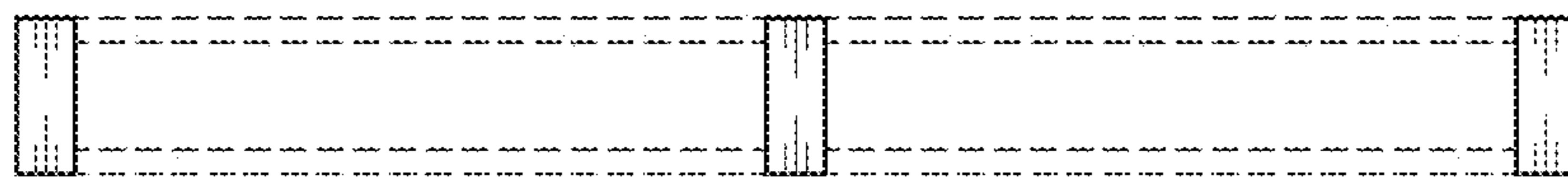


FIG. 8

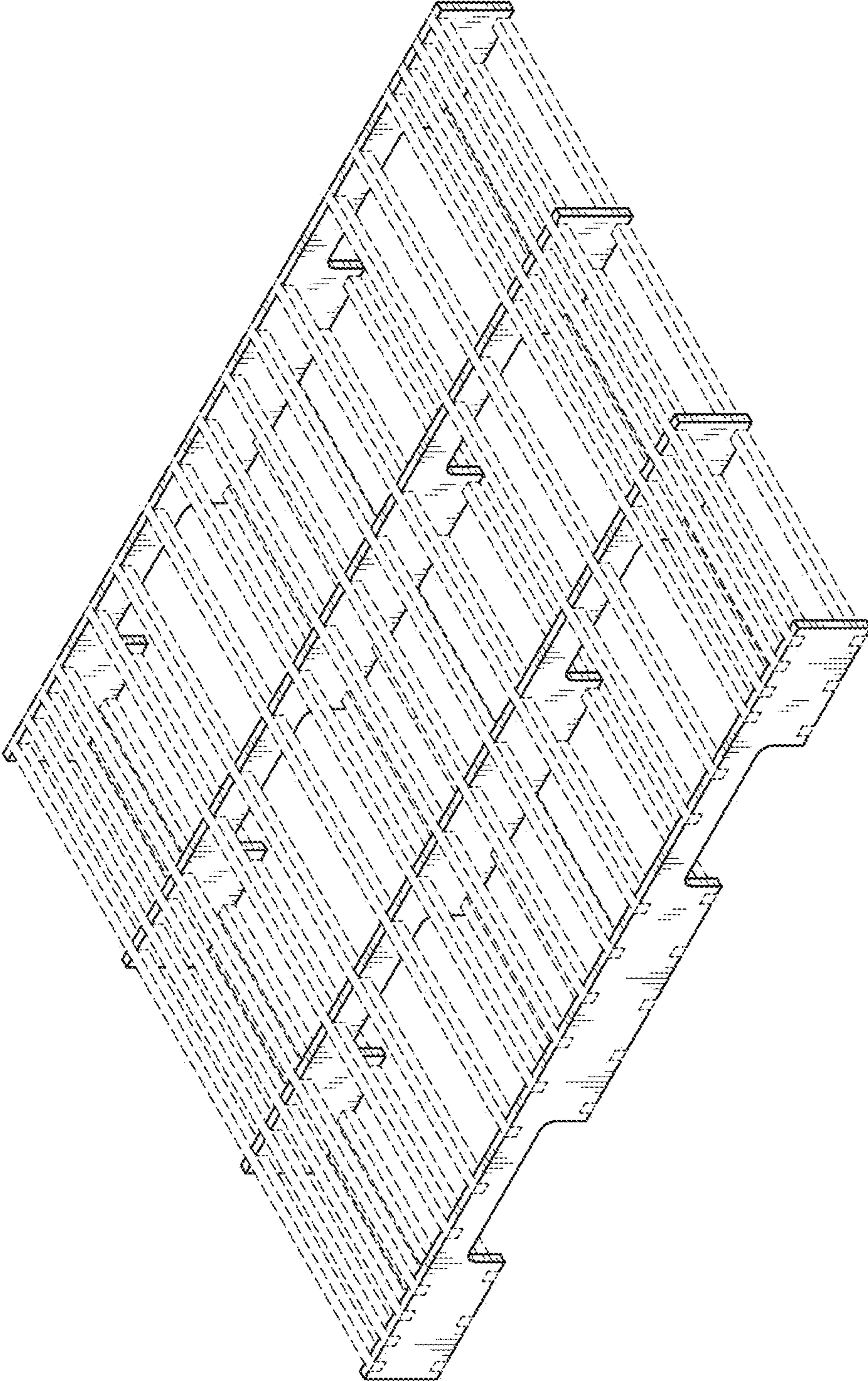


FIG. 9



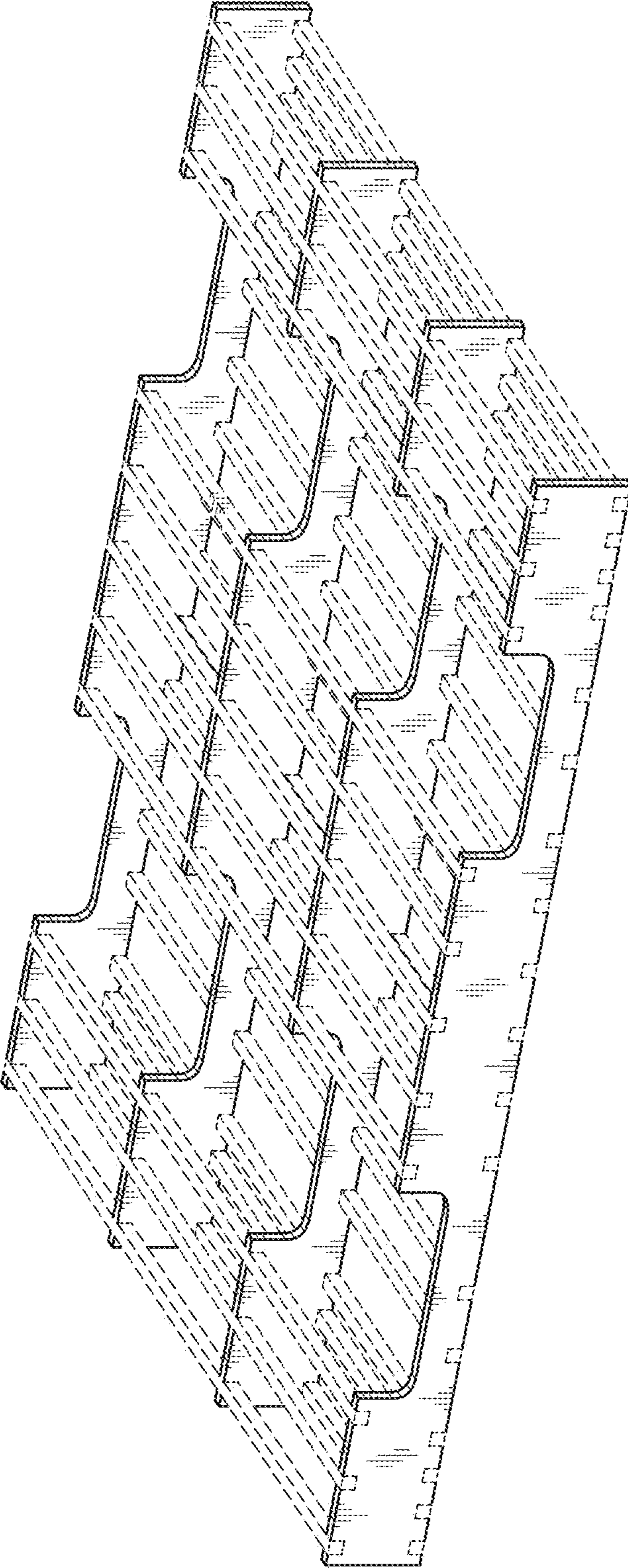


FIG. 10

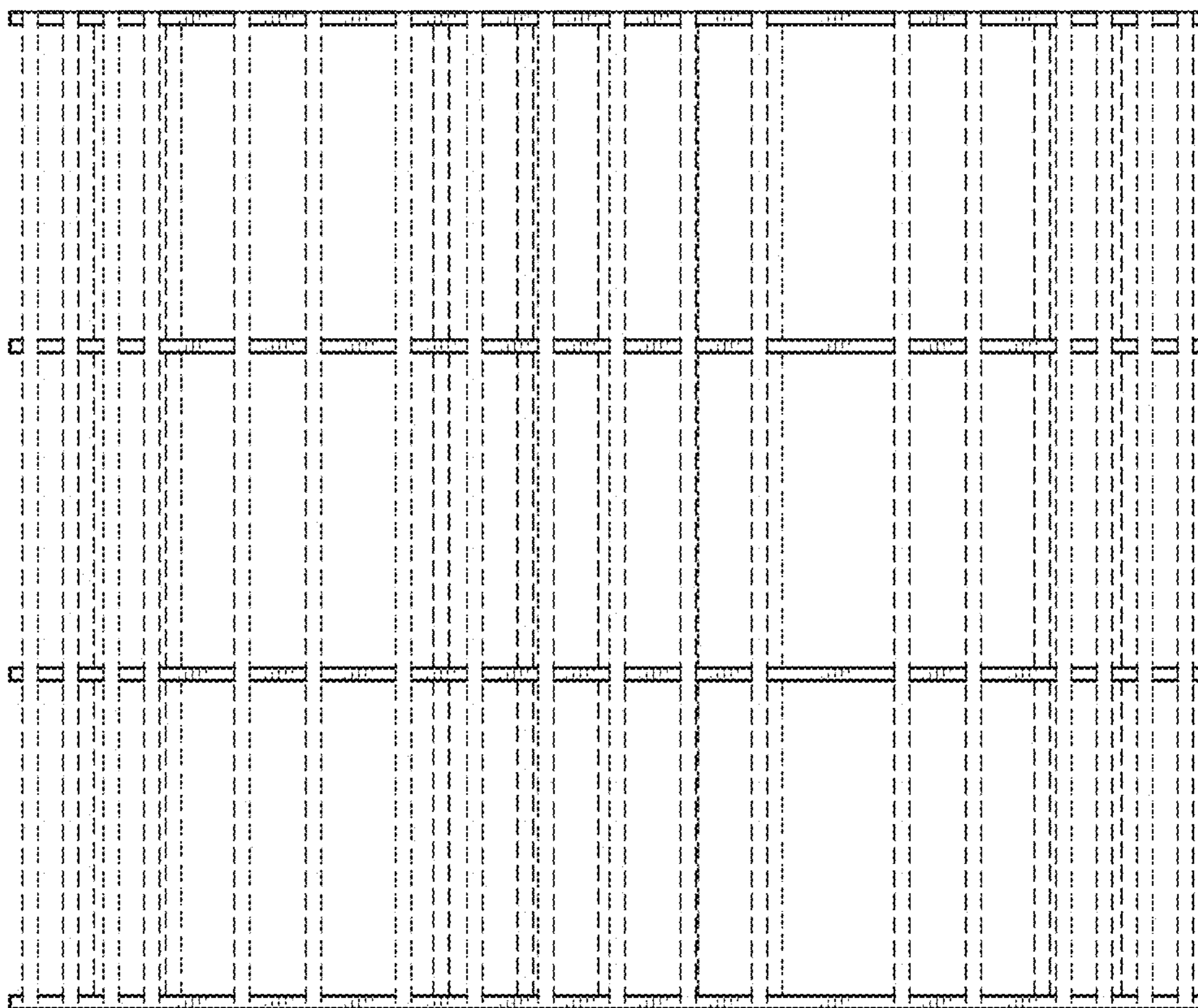


FIG. 11

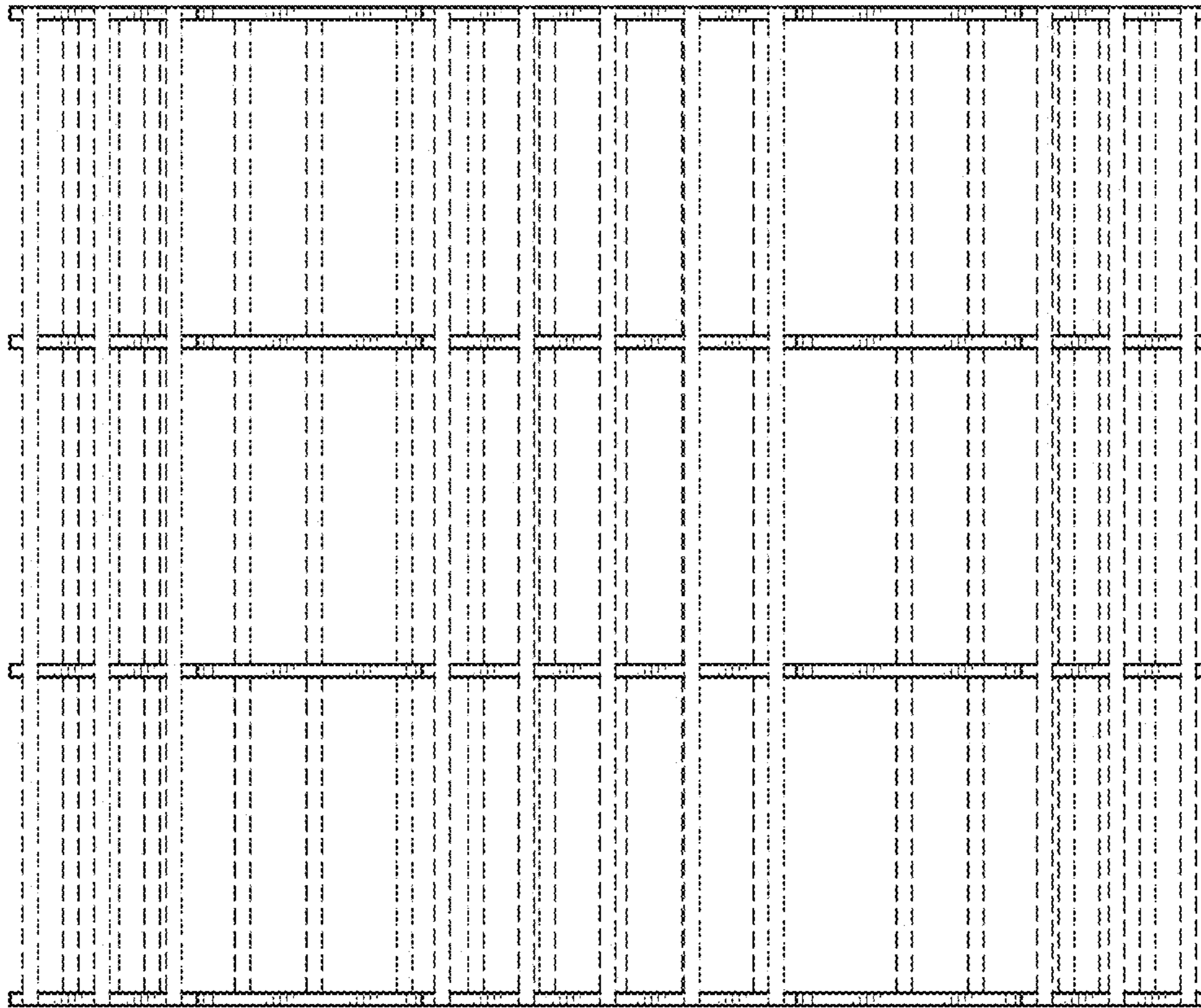


FIG. 12



FIG. 13

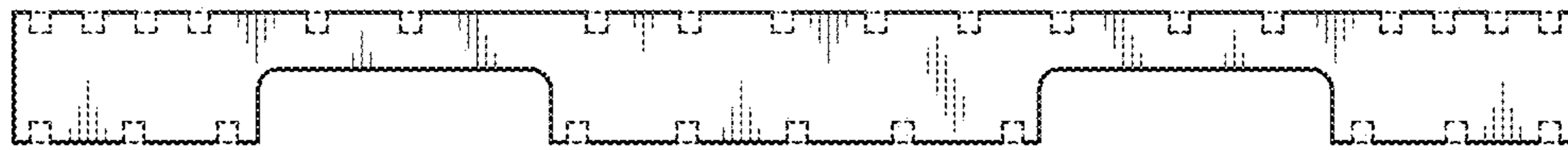


FIG. 14



FIG. 15



FIG. 16