



US00D963981S

(12) **United States Design Patent** (10) **Patent No.:** **US D963,981 S**
Toll et al. (45) **Date of Patent:** **** Sep. 13, 2022**

- (54) **HANDHELD STEAM IRON**
- (71) Applicant: **NORI Inc.**, New Canaan, CT (US)
- (72) Inventors: **Courtney Toll**, New Canaan, CT (US);
Mohan Rajasekaran, Bristol, CT (US);
Cynthia Love, Hillsborough, CA (US);
Alexis Schmittlein, Paradise Valley, AZ (US)
- (73) Assignee: **NORI INC.**, New Canaan, CT (US)
- (**) Term: **15 Years**
- (21) Appl. No.: **29/759,193**
- (22) Filed: **Nov. 20, 2020**

Related U.S. Application Data

- (63) Continuation-in-part of application No. 16/897,897, filed on Jun. 10, 2020, now Pat. No. 11,168,439.
- (51) **LOC (13) Cl.** **07-05**
- (52) **U.S. Cl.**
USPC **D32/70**
- (58) **Field of Classification Search**
USPC D32/70, 71, 73, 72, 69, 68, 35; D8/71,
D8/373, 349, 396, 30; D15/144, 144.2;
D28/73; 219/231, 242, 229; 165/80.1;
126/414
CPC D06F 75/34; D06F 75/08; D06F 75/38;
D06F 75/00; F22B 27/14; B08B 3/006
See application file for complete search history.

(56) **References Cited**

U.S. PATENT DOCUMENTS

- 6,119,702 A * 9/2000 Habibi A45D 1/04
132/118
- D465,309 S * 11/2002 Foersterling D32/69
- 7,380,556 B2 6/2008 Carballada et al.
- D575,453 S * 8/2008 Overend D28/35
- D625,048 S * 10/2010 Mayo D28/35
- 8,276,297 B2 10/2012 Fabrikant

- D676,209 S * 2/2013 Sirard D32/70
- 8,375,609 B2 * 2/2013 Harrington D06F 71/32
38/77.83
- 8,375,610 B2 2/2013 Bearley
- D708,807 S * 7/2014 Ye D32/69
- 9,181,651 B2 11/2015 Bishop
- D799,134 S * 10/2017 Davino D28/35
- D924,518 S * 7/2021 Bae D32/70
- D925,150 S * 7/2021 Park D32/70
- D925,152 S * 7/2021 Park D32/70

(Continued)

FOREIGN PATENT DOCUMENTS

GB 2512953 A 10/2014

OTHER PUBLICATIONS

International Search Report and Written Opinion dated Jun. 4, 2021 issued in PCT Application No. PCT/US21/23686.

Primary Examiner — Austin Murphy

(74) *Attorney, Agent, or Firm* — Troutman Pepper Hamilton Sanders LLP; Christopher C. Close, Jr.; Brandon M. Reed

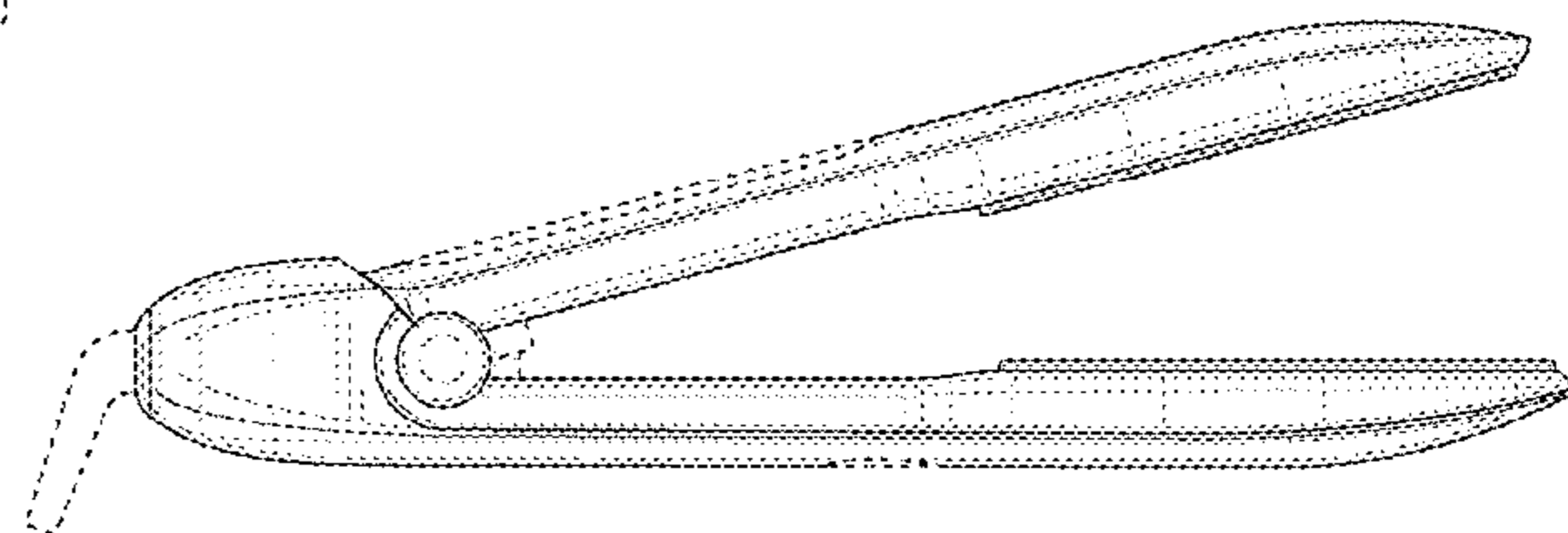
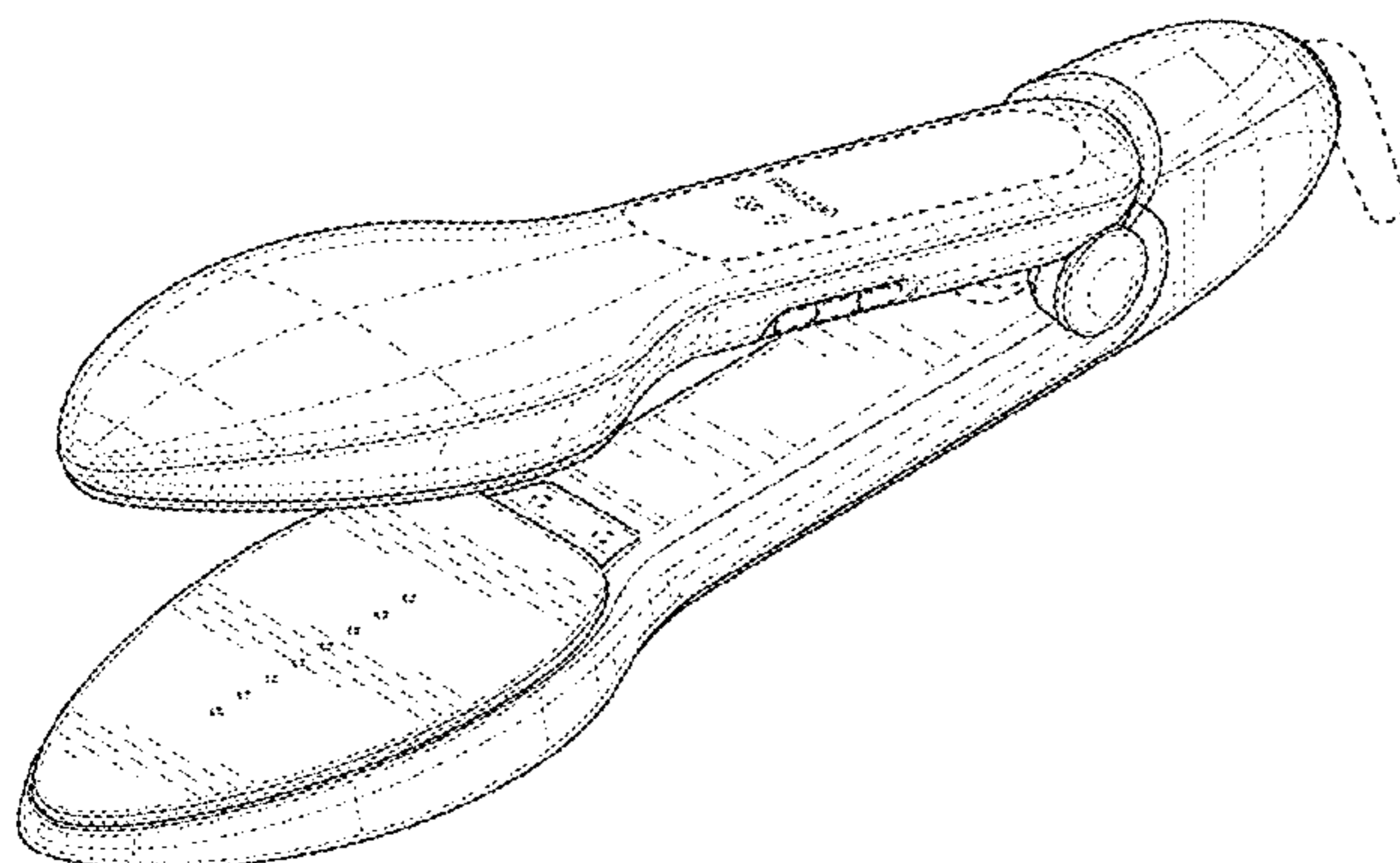
(57) **CLAIM**

The ornamental design for a handheld steam iron, as shown and described.

DESCRIPTION

FIG. 1 is a perspective view of our new design for a handheld steam iron shown in the open configuration; FIG. 2 is a front elevation view thereof; FIG. 3 is a rear elevation view thereof; FIG. 4 is a right elevation view thereof; FIG. 5 is a left elevation view thereof; FIG. 6 is a top plan view thereof; and, FIG. 7 is a bottom plan view thereof. The broken lines illustrate portions of the handheld steam iron that form no part of the claimed design.

1 Claim, 7 Drawing Sheets



(56)

References Cited

U.S. PATENT DOCUMENTS

2002/0190047	A1 *	12/2002	Nam	A45D 1/04 219/222
2004/0000319	A1	1/2004	Carballada et al.	
2008/0072921	A1	3/2008	Habibi	
2010/0180908	A1	7/2010	Leung	
2010/0199528	A1	8/2010	Fabrikant	
2010/0242986	A1 *	9/2010	Serresvives	A45D 1/04 132/229
2012/0102793	A1	5/2012	Harrington	
2013/0152434	A1 *	6/2013	Bearley	D06F 75/30 38/17

* cited by examiner

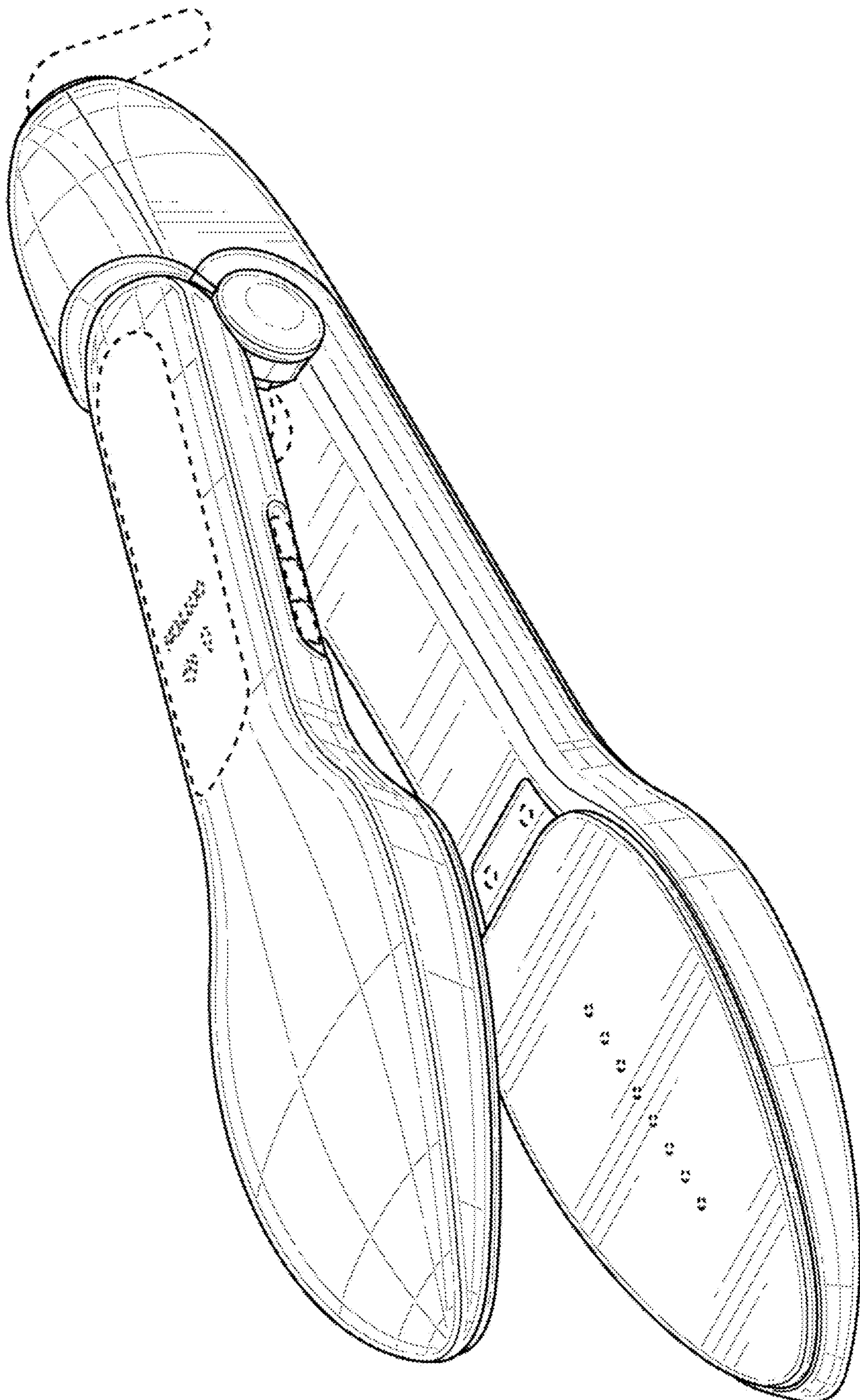


FIG. 1

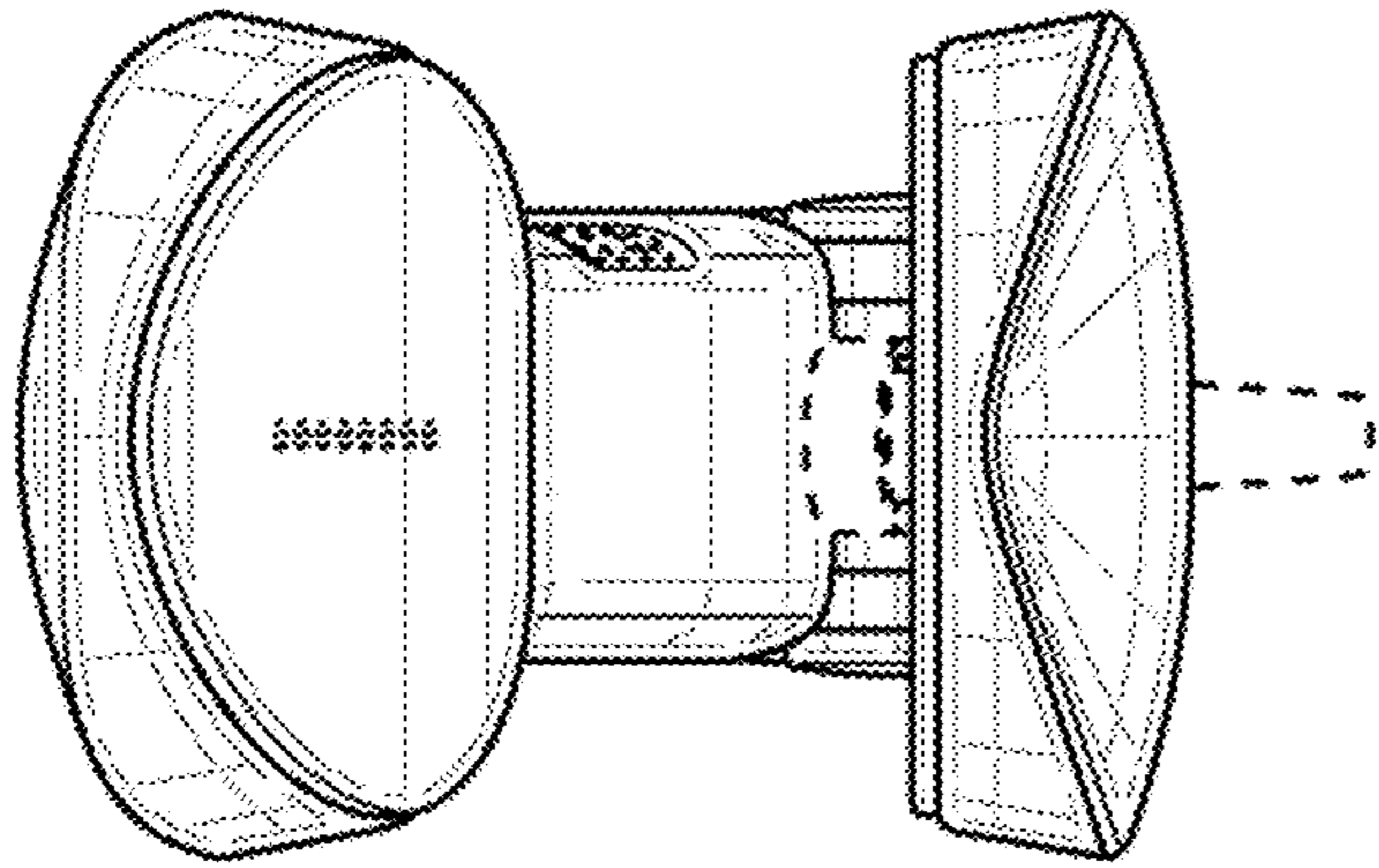


FIG. 2

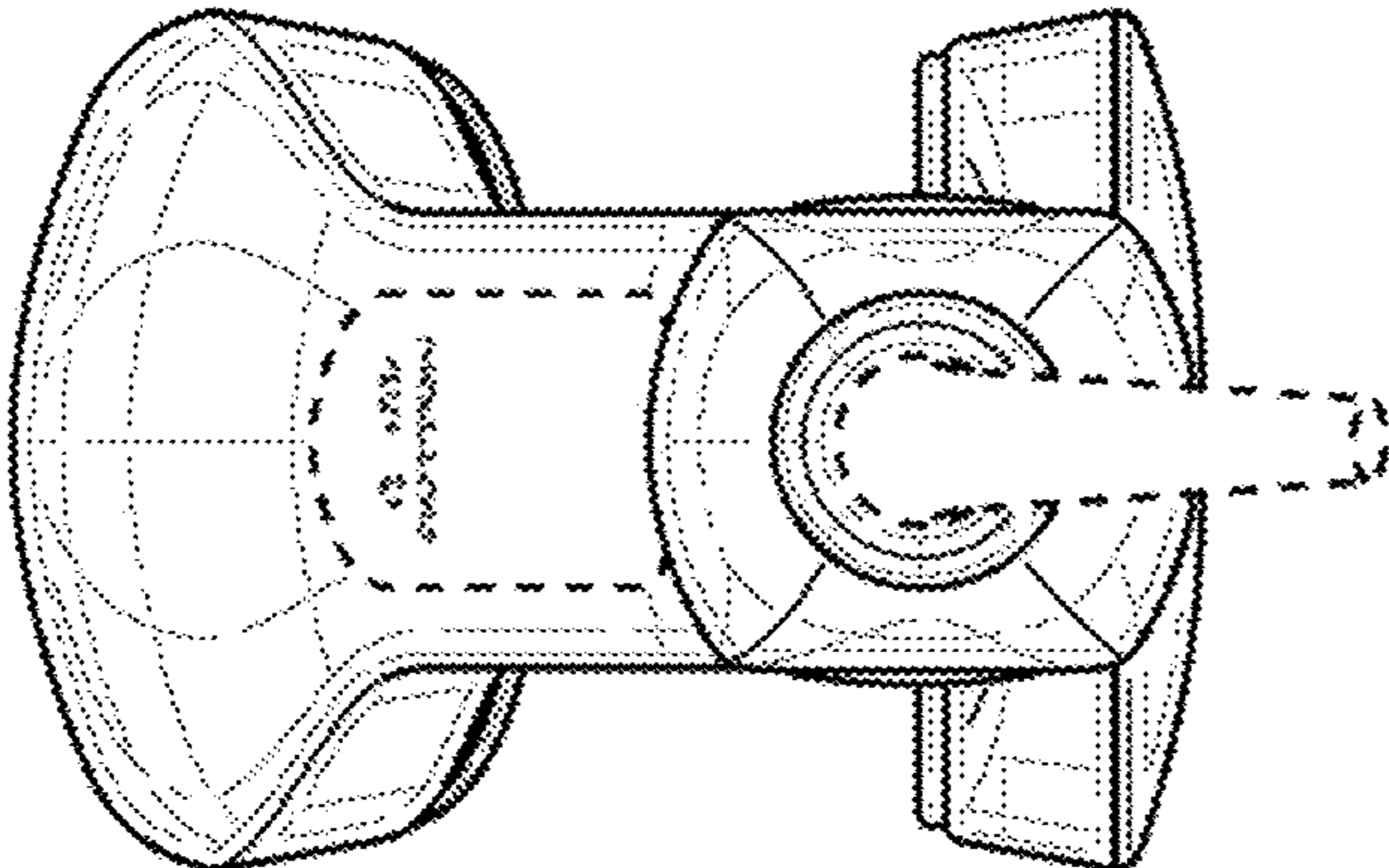


FIG. 3

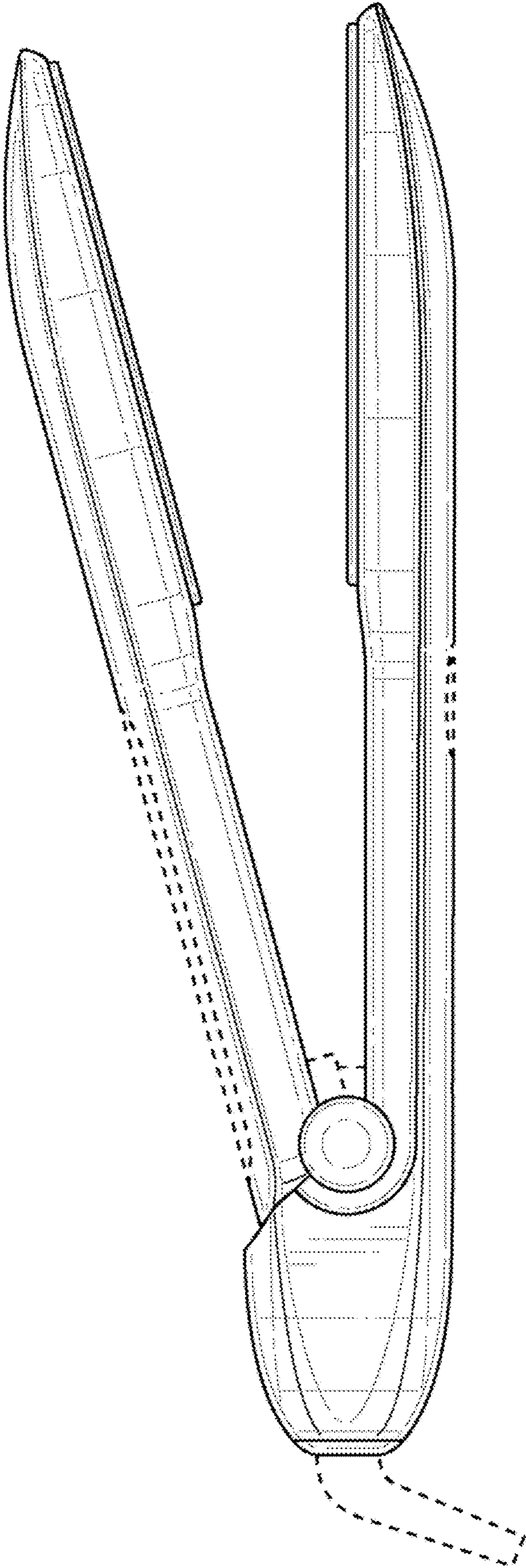


FIG. 4

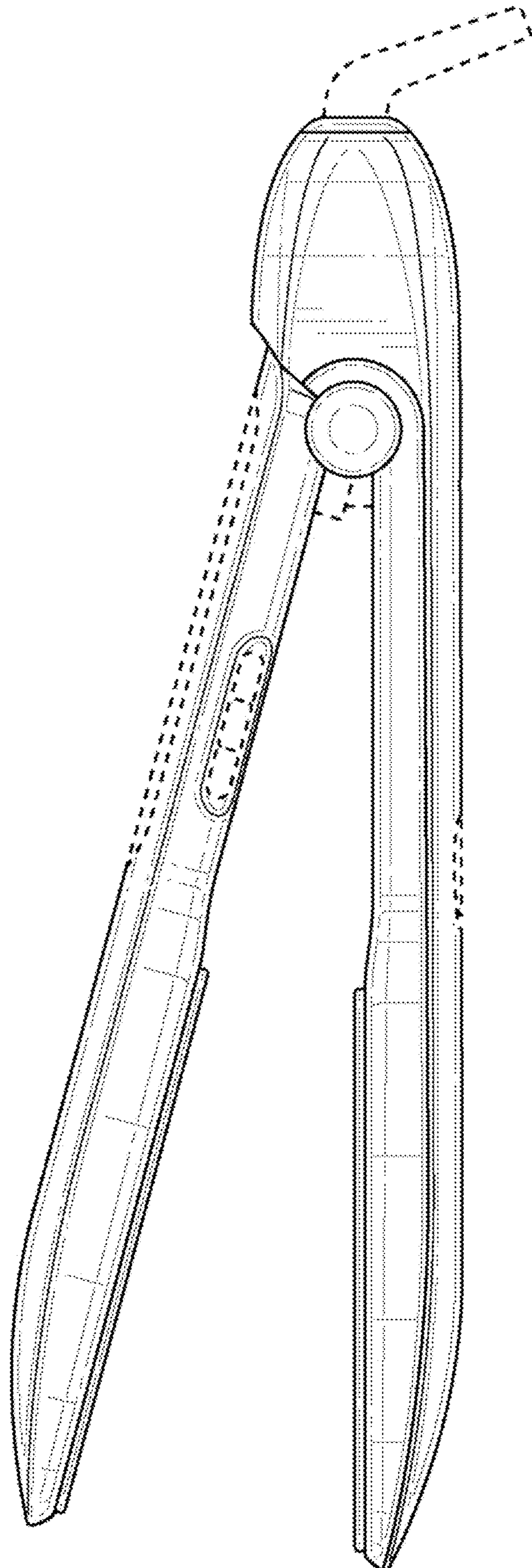


FIG. 5

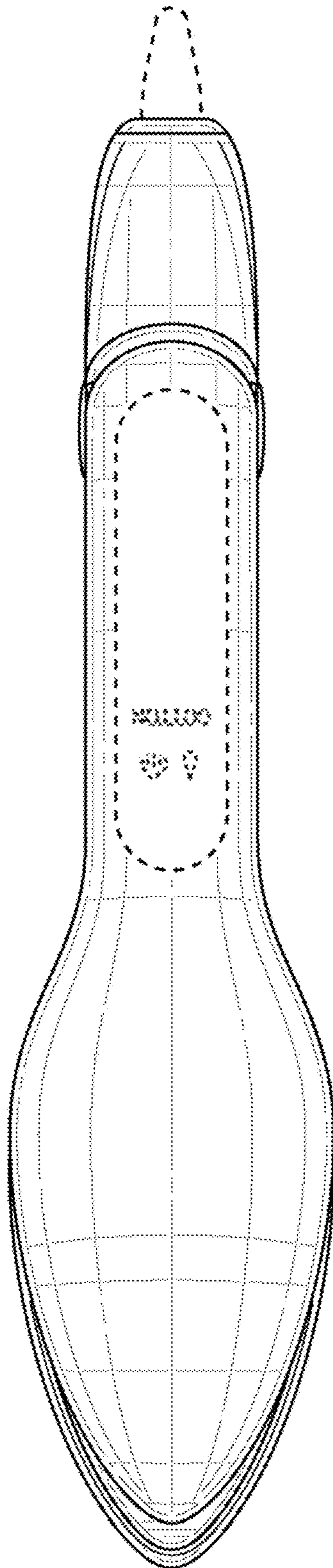


FIG. 6

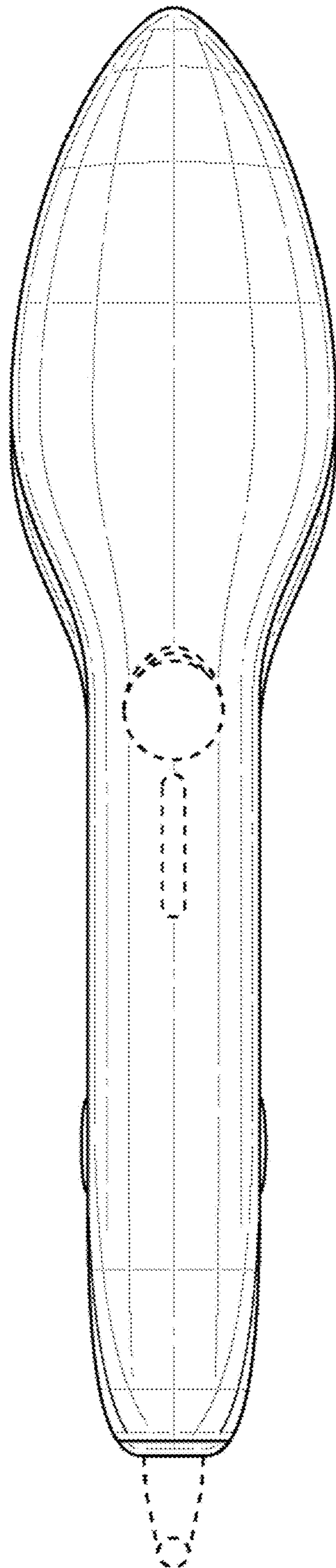


FIG. 7