



US00D963978S

(12) **United States Design Patent** (10) **Patent No.:** **US D963,978 S**  
Su (45) **Date of Patent:** **\*\* Sep. 13, 2022**

(54) **SCRAPING BLADE**  
(71) Applicant: **Hong Ann Tool Industries Co., Ltd.,**  
Taichung (TW)  
(72) Inventor: **Cheng-Wei Su,** Taichung (TW)  
(73) Assignee: **Hong Ann Tool Industries Co., Ltd.,**  
Taichung (TW)  
(\*\*) Term: **15 Years**  
(21) Appl. No.: **29/754,239**  
(22) Filed: **Oct. 8, 2020**  
(51) **LOC (13) Cl.** ..... **07-05**  
(52) **U.S. Cl.**  
USPC ..... **D32/46**  
(58) **Field of Classification Search**  
USPC ..... D32/40-42, 46-49  
CPC .. A47L 1/16; A47L 13/46; A47L 13/06; A47J  
43/288; A63B 49/08; B25G 1/10; A01G  
3/06  
See application file for complete search history.

(56) **References Cited**  
**U.S. PATENT DOCUMENTS**  
D232,146 S \* 7/1974 Dean ..... D6/584  
4,525,692 A \* 6/1985 Claes ..... H03H 9/36  
333/143  
4,561,097 A \* 12/1985 Siegel ..... A63F 9/10  
434/96  
4,860,452 A \* 8/1989 Guarnaccia ..... B26B 21/56  
30/346.5

(Continued)

**OTHER PUBLICATIONS**

Husky Scraper, Home Depot reviews 2021, site visited Apr. 29, 2022, <https://www.homedepot.com/p/Husky-Contour-Scraper-with-6-Blades-410-155-0111/309896472>.\*

(Continued)

*Primary Examiner* — John R Yeh  
(74) *Attorney, Agent, or Firm* — Alan D. Kamrath; Karin L. Williams; Mayer & Williams PC

(57) **CLAIM**

The ornamental design for a scraping blade, as shown and described.

**DESCRIPTION**

The patent or application file contains at least one drawing executed in color. Copies of this patent or patent application publication with color drawing(s) will be provided by the Office upon request and payment of the necessary fee.

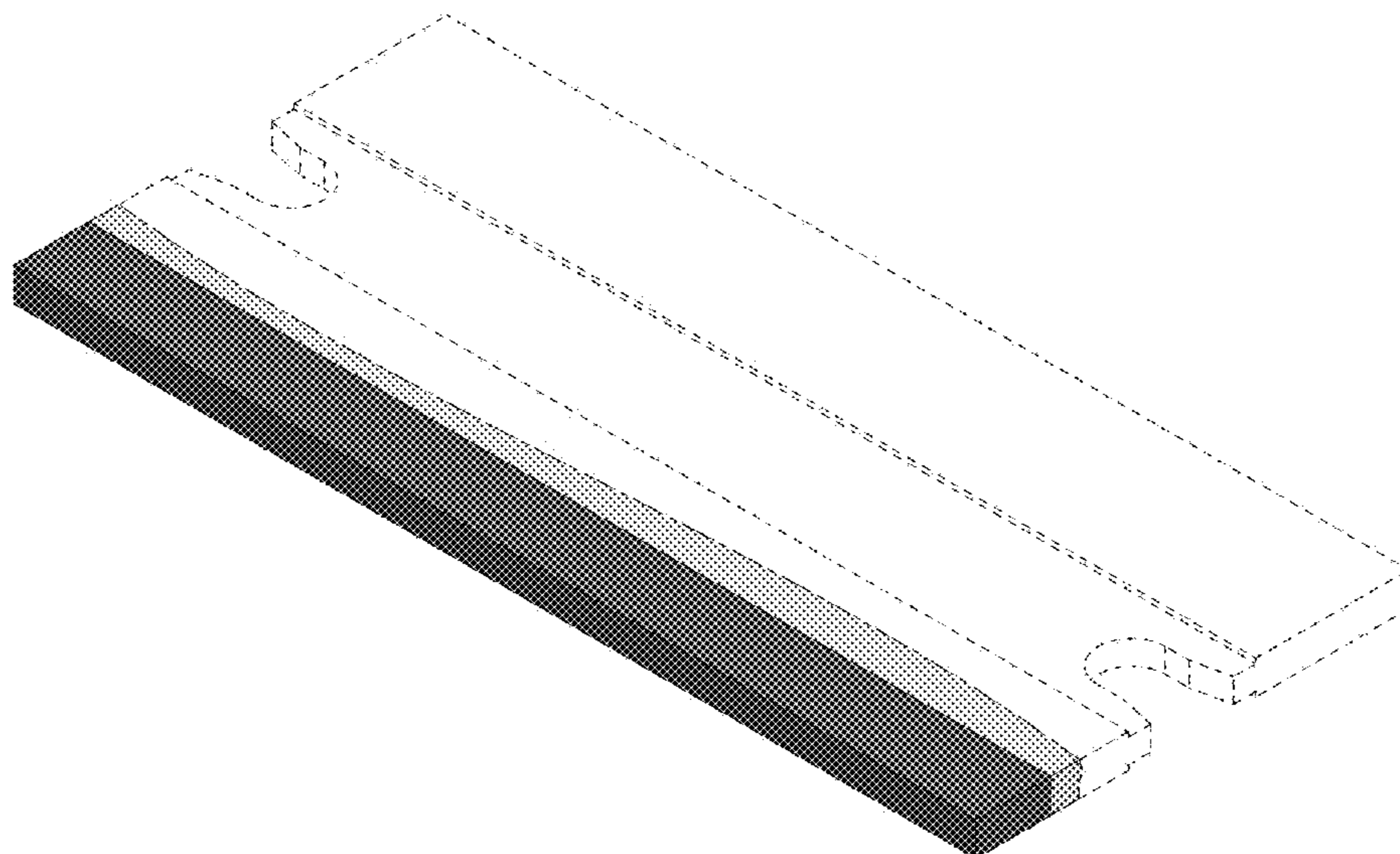
FIG. 1 is a perspective view of the first embodiment of a scraping blade showing my new design;  
FIG. 2 is a front view thereof;  
FIG. 3 is a rear view thereof;  
FIG. 4 is a left view thereof;  
FIG. 5 is a right view thereof;  
FIG. 6 is a top view thereof;  
FIG. 7 is a bottom view thereof;  
FIG. 8 is a perspective view of the second embodiment of the claimed design;  
FIG. 9 is front view thereof;  
FIG. 10 is a rear view thereof;  
FIG. 11 is a left side view thereof;  
FIG. 12 is a right side view thereof;  
FIG. 13 is a top view thereof; and,  
FIG. 14 is a bottom view thereof.

The broken lines shown in the drawings indicate portions of the Scraping Blade which form no part of the claimed design. The dot-dash lines in the drawings represent the boundary of the claimed design.

The shaded surfaces and the solid lines represent the claimed portions of the design.

The color shown on the claimed design is PANTONE 871 C, 872 C, 873 C, 874 C, and 875 C.

**1 Claim, 14 Drawing Sheets**  
**(12 of 14 Drawing Sheet(s) Filed in Color)**



(56)

References Cited

U.S. PATENT DOCUMENTS

4,920,702 A \* 5/1990 Kloss ..... B24D 9/08  
15/97.1  
D355,105 S \* 2/1995 Nemazi ..... D8/90  
D365,425 S \* 12/1995 Breshears ..... D32/40  
D388,572 S \* 12/1997 Gold ..... D32/46  
D409,890 S \* 5/1999 Longstaff ..... D8/90  
6,146,040 A \* 11/2000 Dunn ..... A47L 13/12  
401/27  
D457,269 S \* 5/2002 Arey ..... D28/47  
D495,827 S \* 9/2004 Branden ..... D28/47  
D497,219 S \* 10/2004 Branden ..... A47L 13/08  
D28/47  
D527,974 S \* 9/2006 Petersen ..... D8/90  
7,621,802 B2 \* 11/2009 McCarthy ..... B24D 15/04  
451/523

D659,837 S \* 5/2012 Oien ..... D24/177  
D776,384 S \* 1/2017 Eldridge ..... D28/47  
D837,472 S \* 1/2019 Ring ..... D32/40  
D873,573 S \* 1/2020 Kaicker ..... D4/135  
D905,339 S \* 12/2020 Roche ..... D28/47  
D915,855 S \* 4/2021 Hede ..... D8/90  
2013/0008033 A1 \* 1/2013 Fortman ..... A01G 3/06  
30/278  
2013/0008036 A1 \* 1/2013 Gringer ..... B26B 21/58  
30/346.59  
2020/0189325 A1 \* 6/2020 Pons ..... B60C 11/1668

OTHER PUBLICATIONS

100 pack plastic razor blade, RazorBlade website tineye image date 2017, site visited Apr. 29, 2022, <https://www.razorbladeco.com/orange-plastic-scraping-tools>.\*

\* cited by examiner



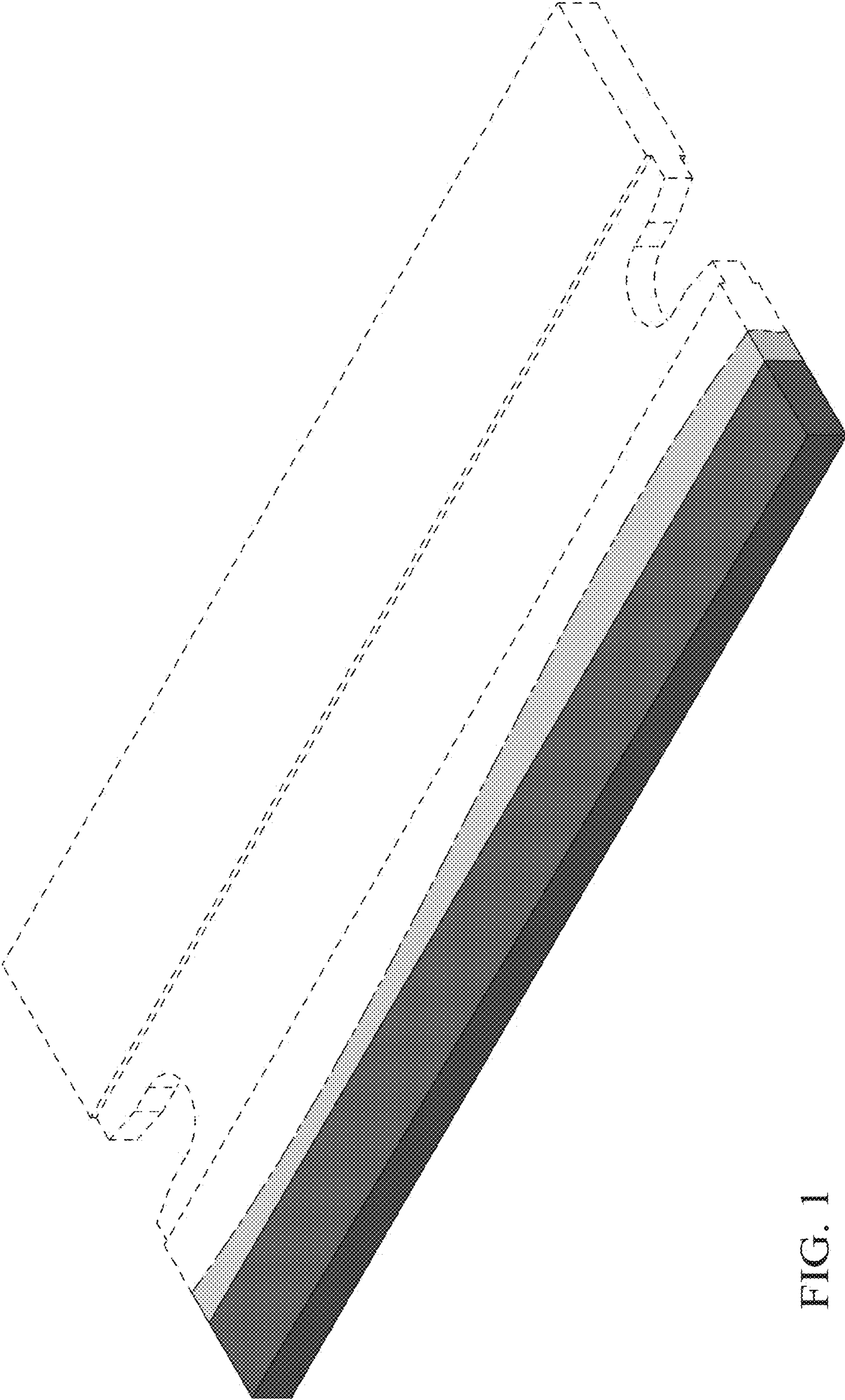


FIG. 1

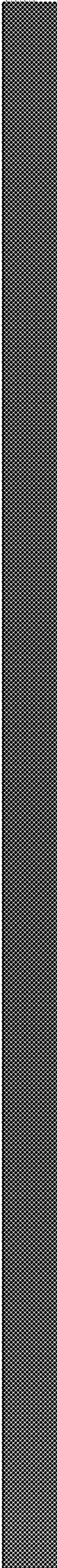


FIG. 2



FIG. 3

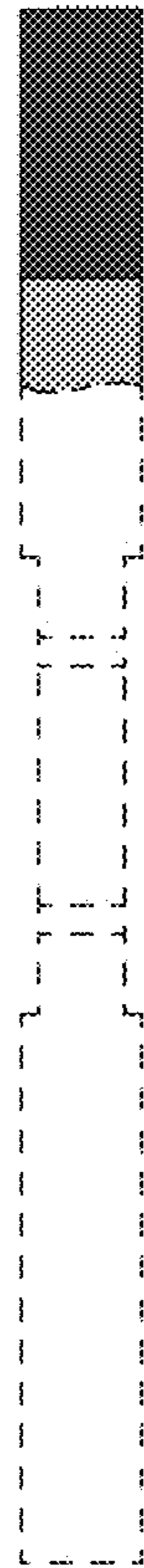


FIG. 4

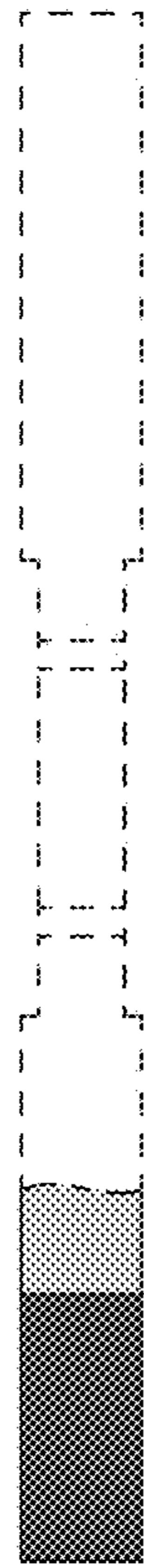


FIG. 5



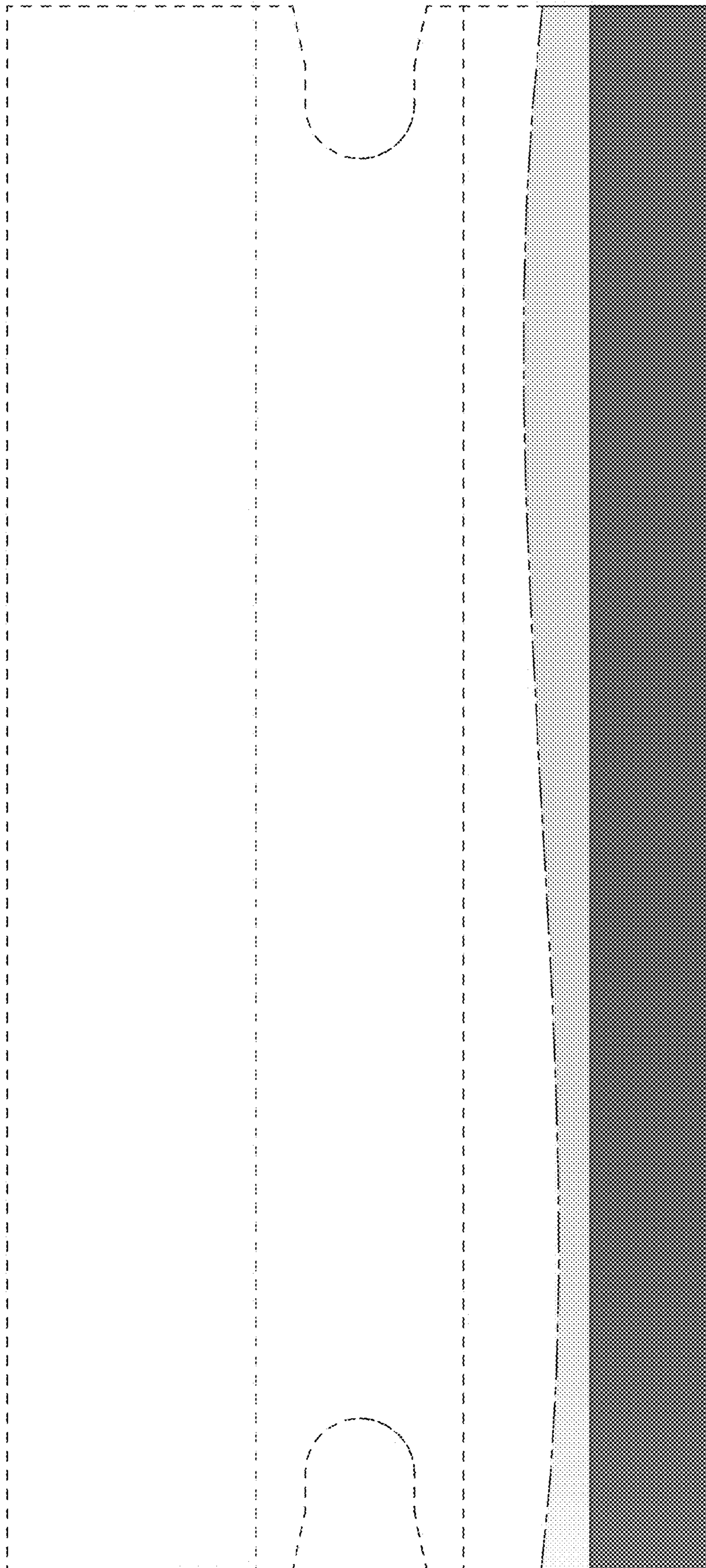


FIG. 6



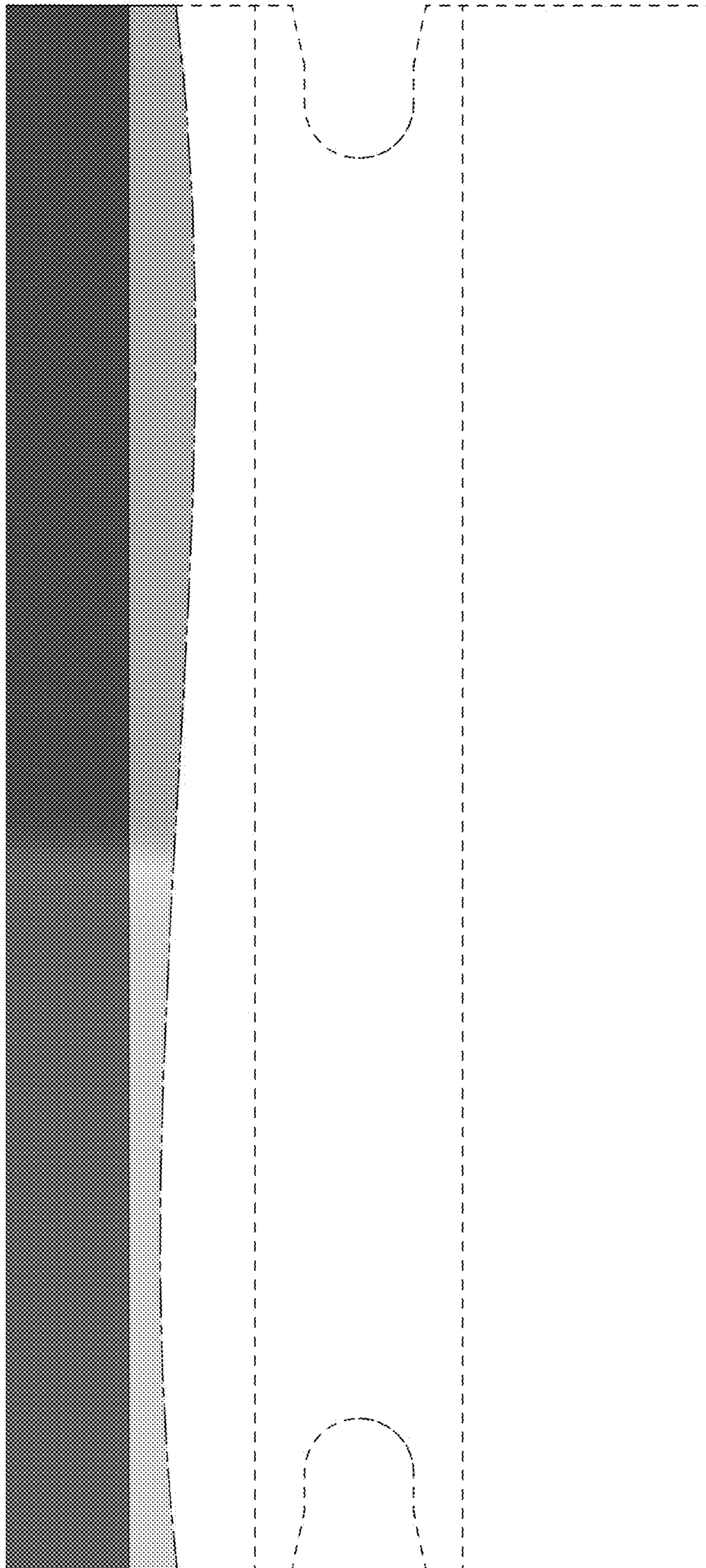


FIG. 7

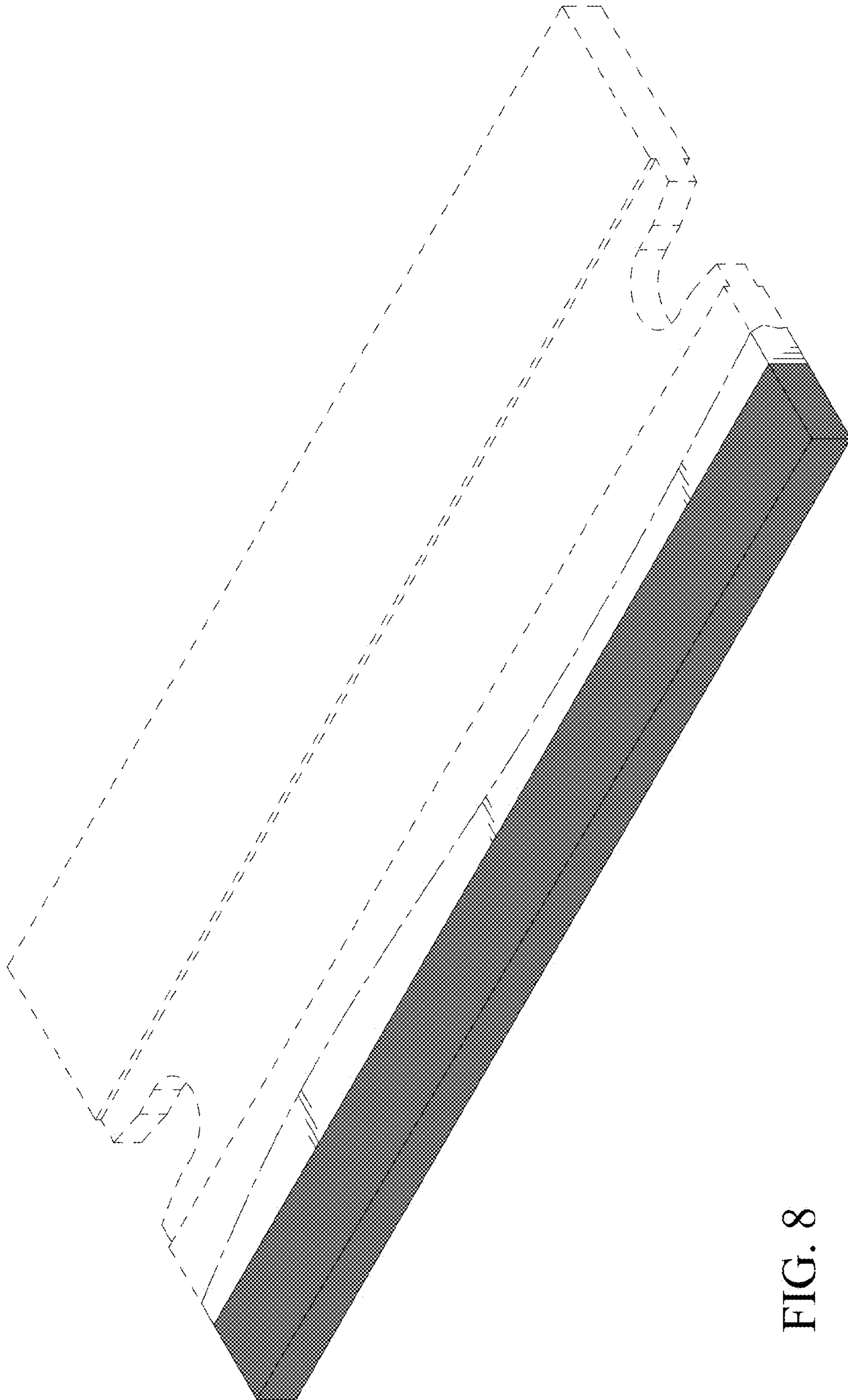


FIG. 8



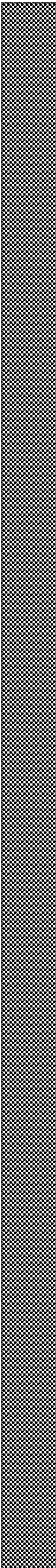


FIG. 9



FIG. 10





FIG. 11



FIG. 12

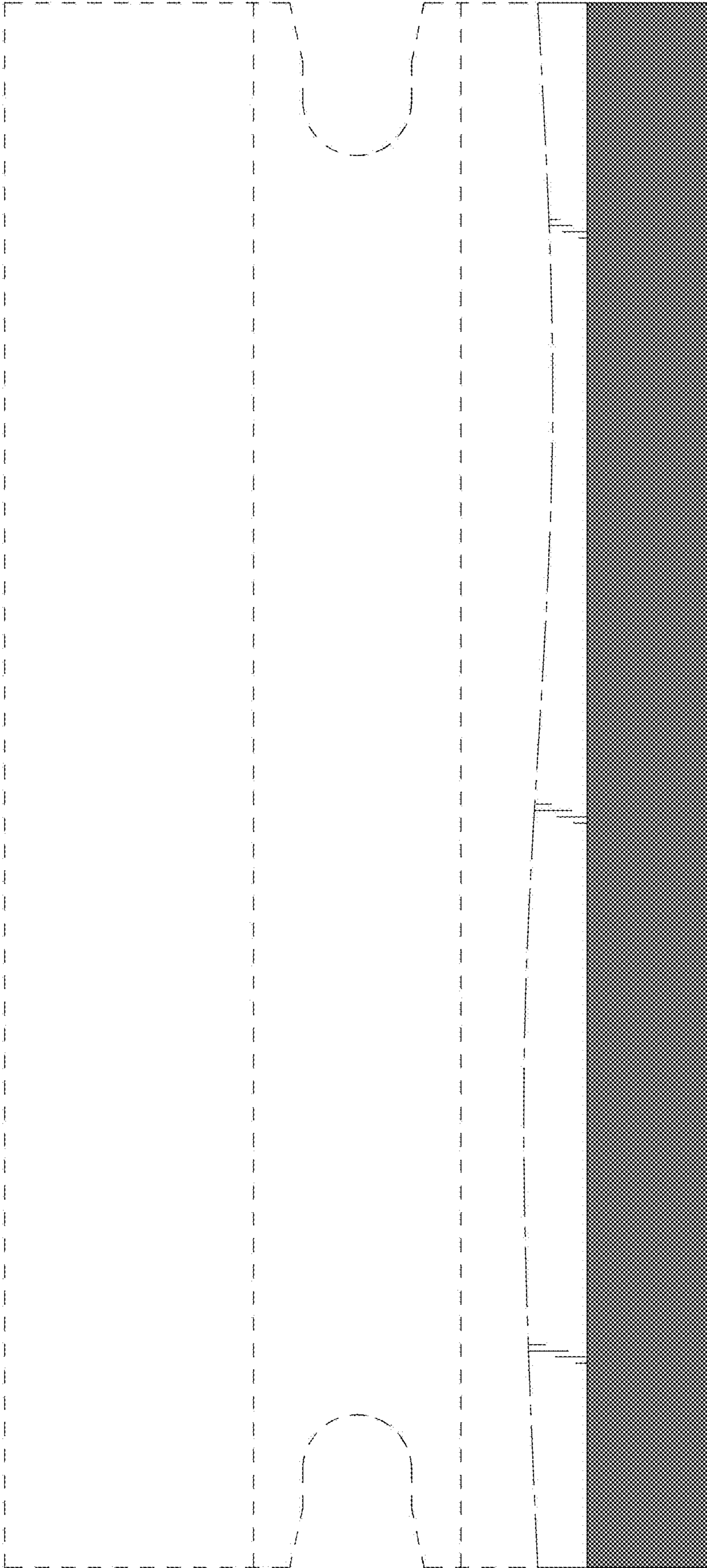


FIG. 13

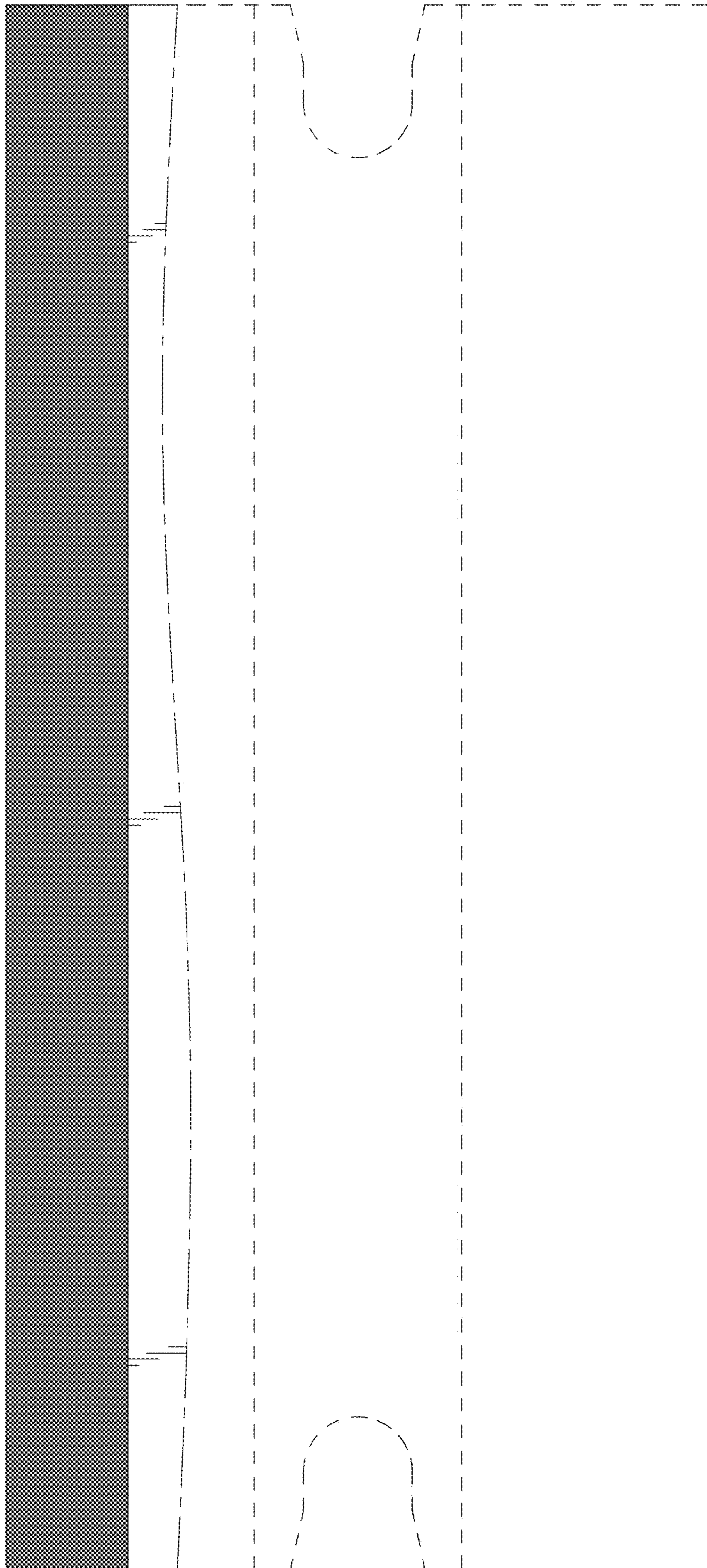


FIG. 14