



US00D963976S

(12) **United States Design Patent** (10) **Patent No.:** **US D963,976 S**
Fu (45) **Date of Patent:** **** Sep. 13, 2022**

(54) **HAND-HELD VACUUM CLEANER**

(71) Applicant: **Anming Fu**, Shenzhen (CN)

(72) Inventor: **Anming Fu**, Shenzhen (CN)

(**) Term: **15 Years**

(21) Appl. No.: **29/799,879**

(22) Filed: **Jul. 16, 2021**

(51) **LOC (13) Cl.** **15-05**

(52) **U.S. Cl.**
USPC **D32/18**

(58) **Field of Classification Search**
USPC D32/17, 18, 21, 23, 25, 31, 32, 33, 34
CPC A47L 11/24; A47L 11/33; A47L 11/32;
A47L 9/1666; A47L 9/1608; A47L 11/00;
A47L 11/38; A47L 5/24; Y10S 55/03
See application file for complete search history.

(56) **References Cited**

U.S. PATENT DOCUMENTS

D247,040 S *	1/1978	Goodman	D32/24
D287,419 S	12/1986	Ling		
D303,856 S *	10/1989	Yuen	D32/18
D489,849 S	5/2004	Ki		
D512,192 S *	11/2005	Shim	D32/18
D514,758 S *	2/2006	Lau	D32/18
D527,501 S *	8/2006	Tai	D32/18
D529,671 S *	10/2006	Yung	D32/18
D530,464 S *	10/2006	Tai	D32/18
D749,281 S *	2/2016	Jeon	D32/18
D773,130 S *	11/2016	Gray	D32/18
D785,260 S *	4/2017	Lin	D32/31
D790,782 S *	6/2017	Bruneel	D32/18
D803,492 S *	11/2017	Jang	D32/18
D807,598 S *	1/2018	Houghton	D32/18
D812,829 S *	3/2018	Shin	D06F 87/00 D32/25
D835,867 S *	12/2018	Jang	D32/18
D855,908 S *	8/2019	Tu	D32/18
D868,403 S	11/2019	Wang		

D891,014 S *	7/2020	Chu	D32/18
D911,641 S *	2/2021	Hu	D32/18
D925,847 S *	7/2021	Xia	D32/18
D927,804 S *	8/2021	Song	D32/18
D932,121 S *	9/2021	Gray	D32/18
D937,514 S *	11/2021	Zou	D32/18

(Continued)

FOREIGN PATENT DOCUMENTS

CN	304881487	*	11/2018
CN	306285177	*	1/2021

OTHER PUBLICATIONS

Walmart.com Techvilla Handheld Vacuum <https://www.walmart.com/ip/Techvilla-Handheld-Vacuum-Cleaner-with-120W-6KPa-Strong-Suction-Cordless-for-Car-Home/489281438> (Year: 2022).*

(Continued)

Primary Examiner — Michelle E. Wilson
Assistant Examiner — Richard E Yenchesky
(74) *Attorney, Agent, or Firm* — Che-Yang Chen; Law Office of Michael Chen

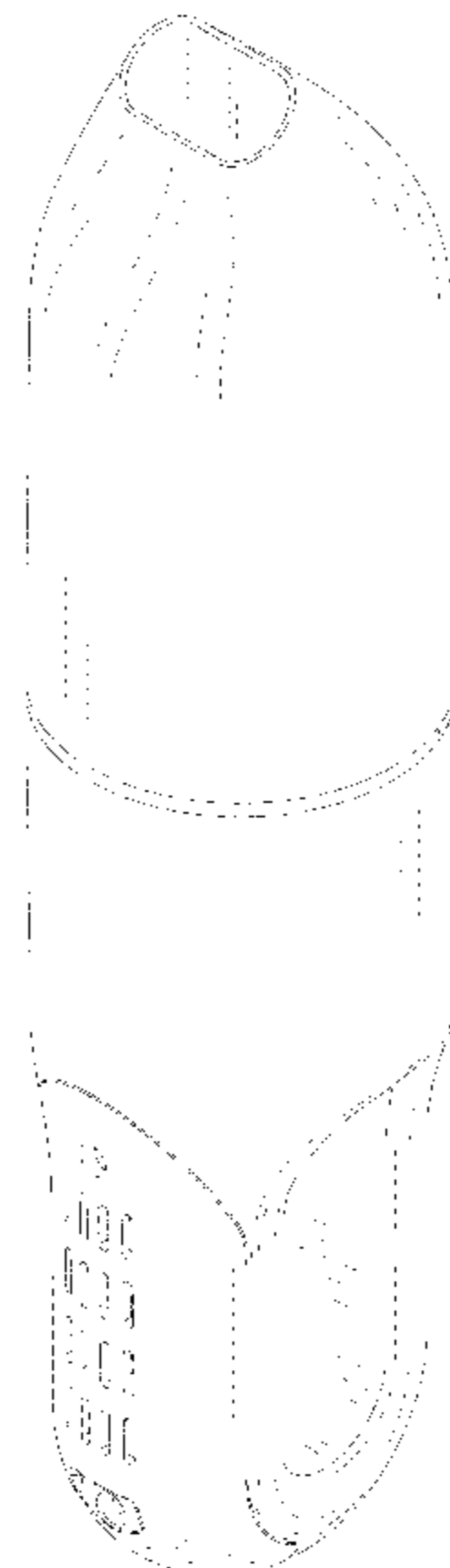
(57) **CLAIM**

The ornamental design for a hand-held vacuum cleaner, as shown and described.

DESCRIPTION

FIG. 1 is a perspective view of the hand-held vacuum cleaner showing my new design;
FIG. 2 is a front elevational view thereof;
FIG. 3 is a rear elevational view thereof;
FIG. 4 is a left side elevational view thereof;
FIG. 5 is a right side elevational view thereof;
FIG. 6 is a top plan view thereof;
FIG. 7 is a bottom plan view thereof; and,
FIG. 8 is a partial enlarged view thereof pointed out in FIG. 7.

1 Claim, 8 Drawing Sheets



(56)

References Cited

U.S. PATENT DOCUMENTS

D945,094 S * 3/2022 Jeon D32/18
2022/0022772 A1 * 1/2022 Adams A61B 5/0816

OTHER PUBLICATIONS

Amazon.com handheld vacuum cordless https://www.amazon.com/Handheld-Cordless-Rechargeable-Lightweight-Attachments/dp/B0927SY3KR/ref=sr_1_21 (Year: 2021).*

* cited by examiner

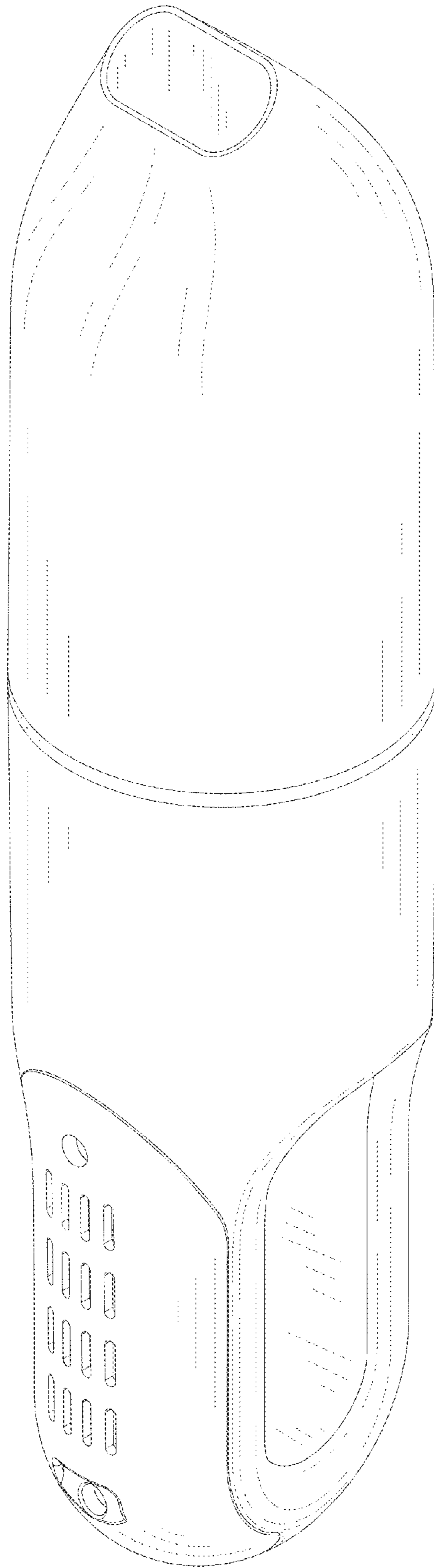


FIG.1

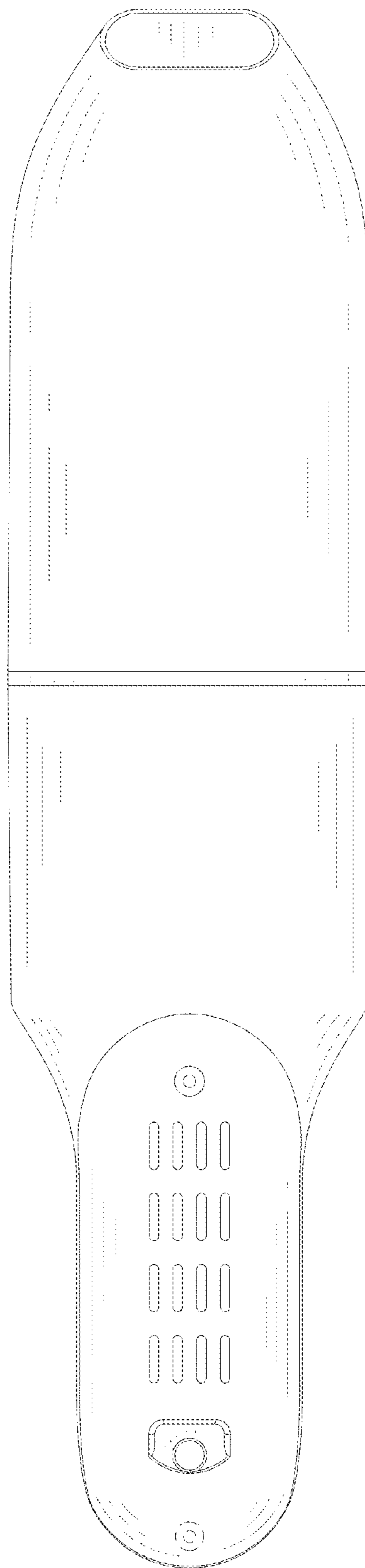


FIG. 2

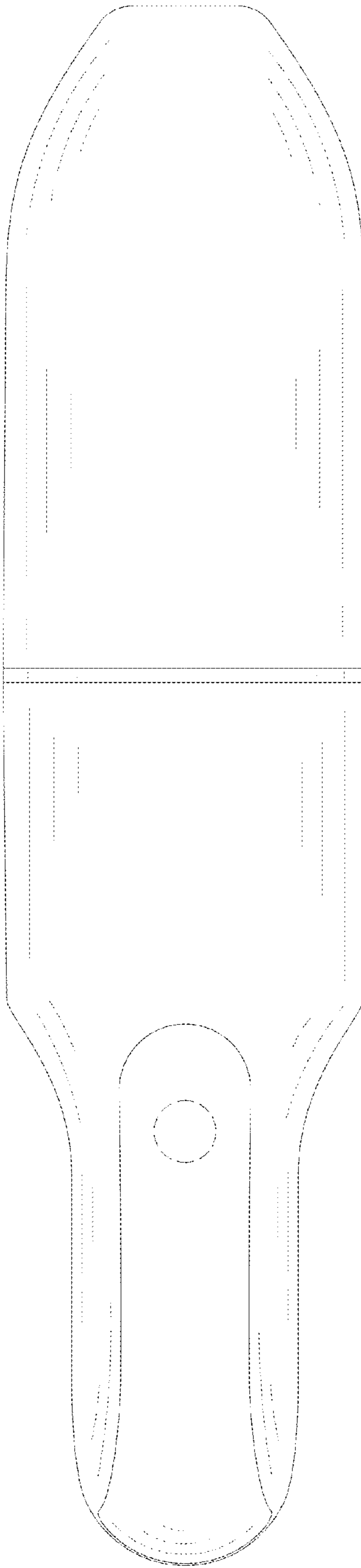


FIG. 3

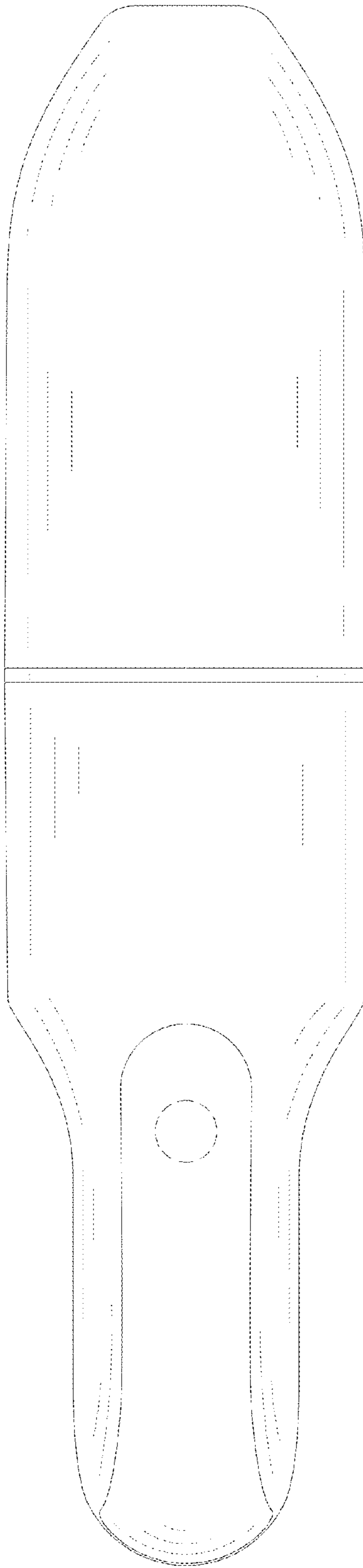


FIG. 4

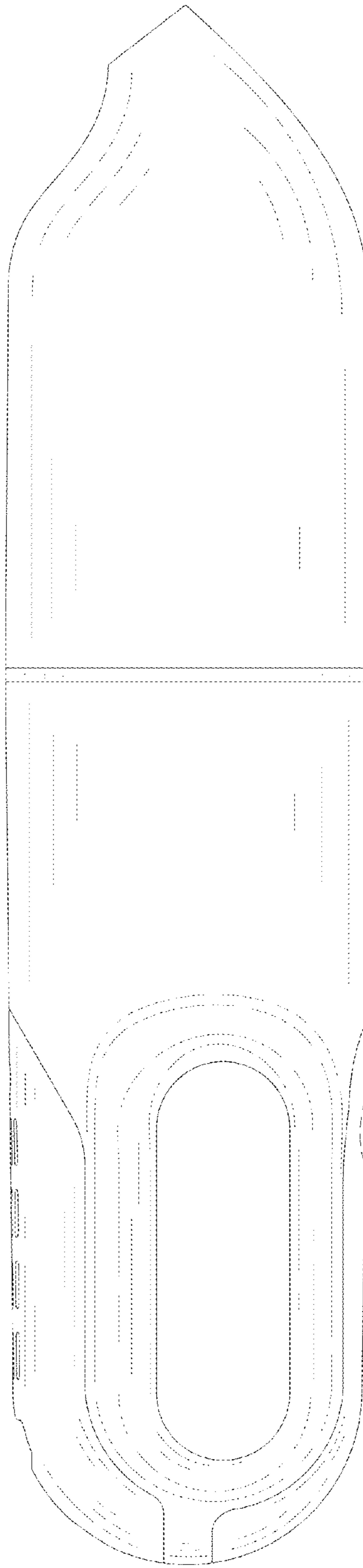


FIG.5

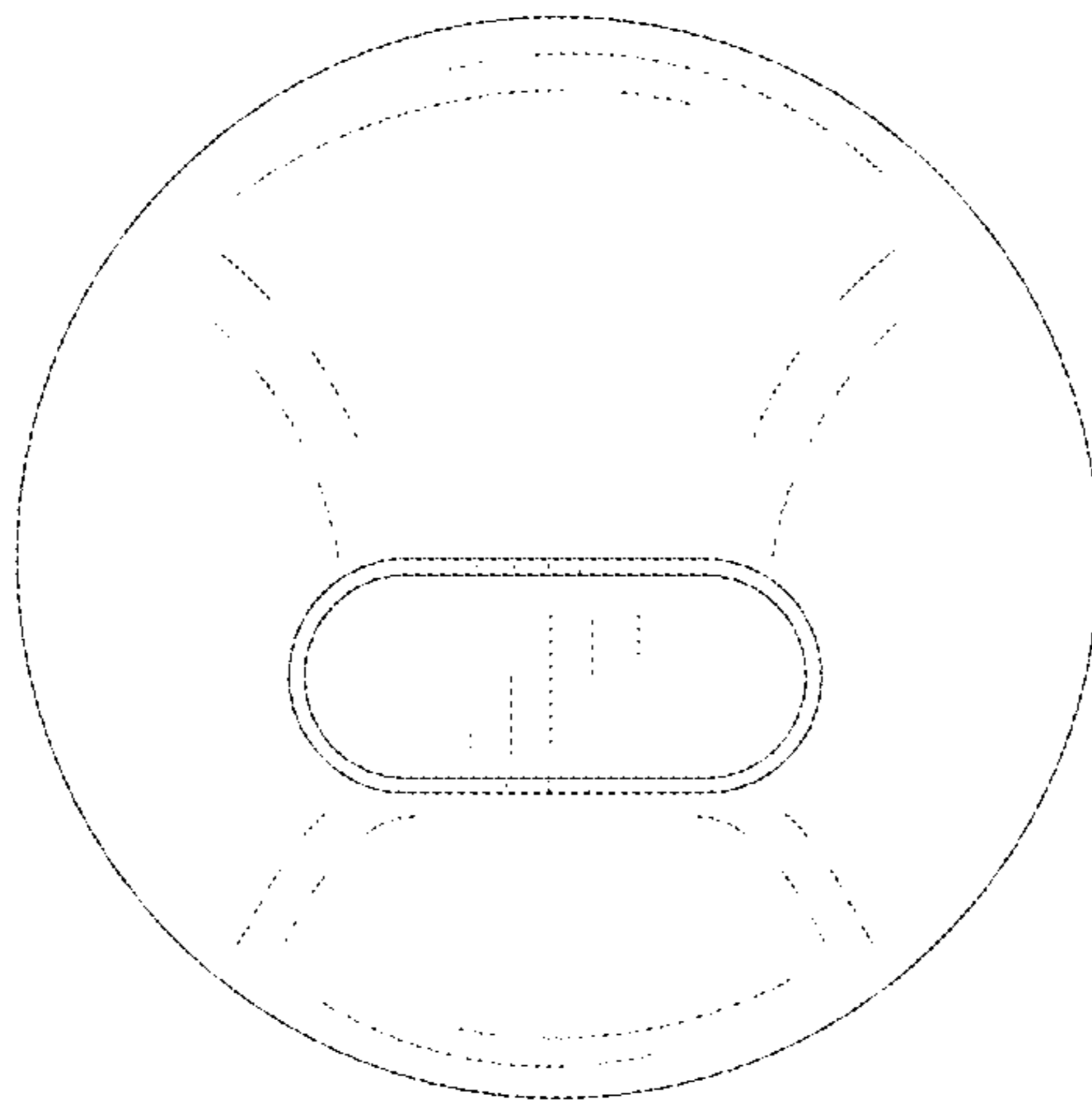


FIG. 6

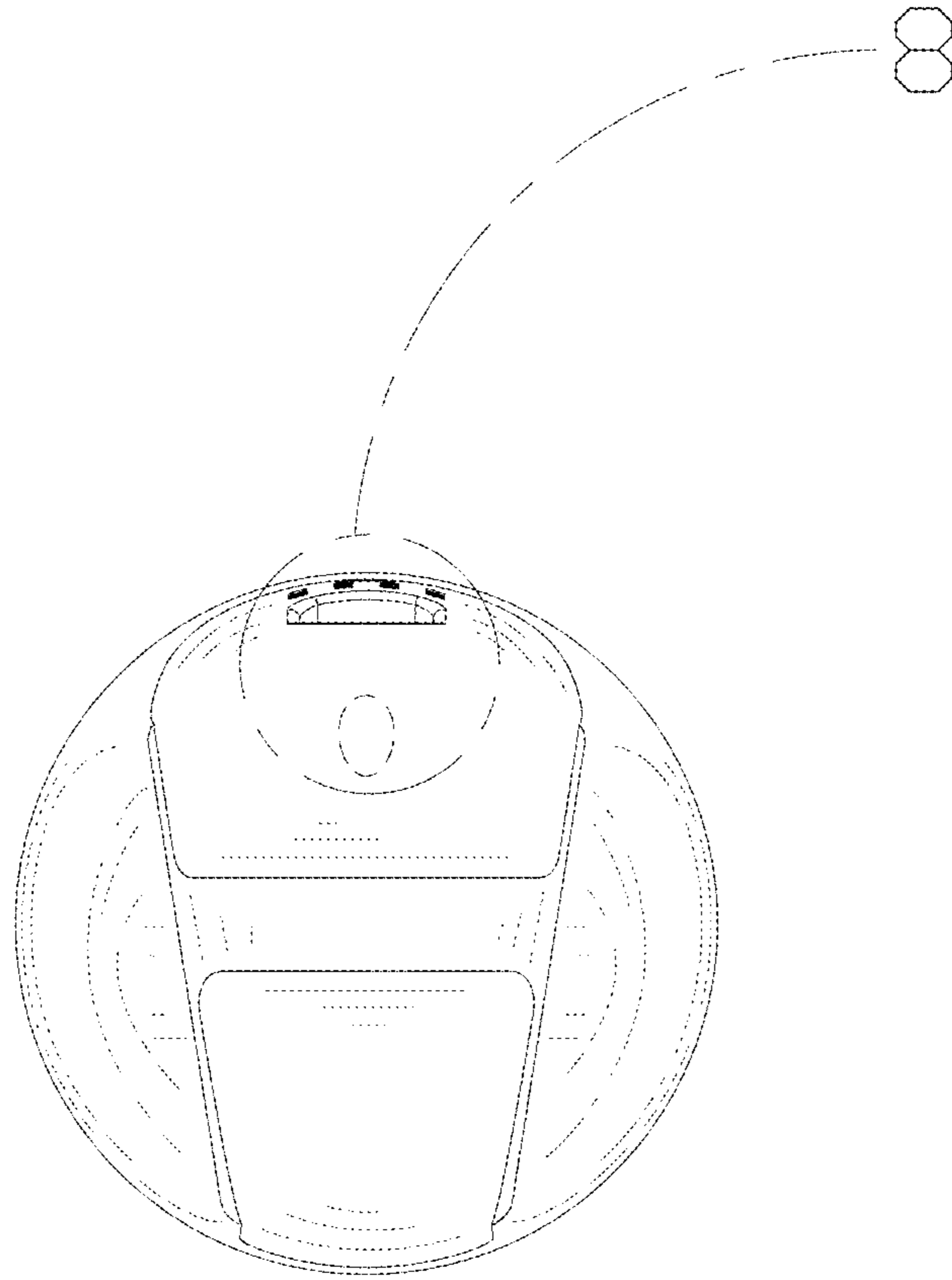


FIG. 7

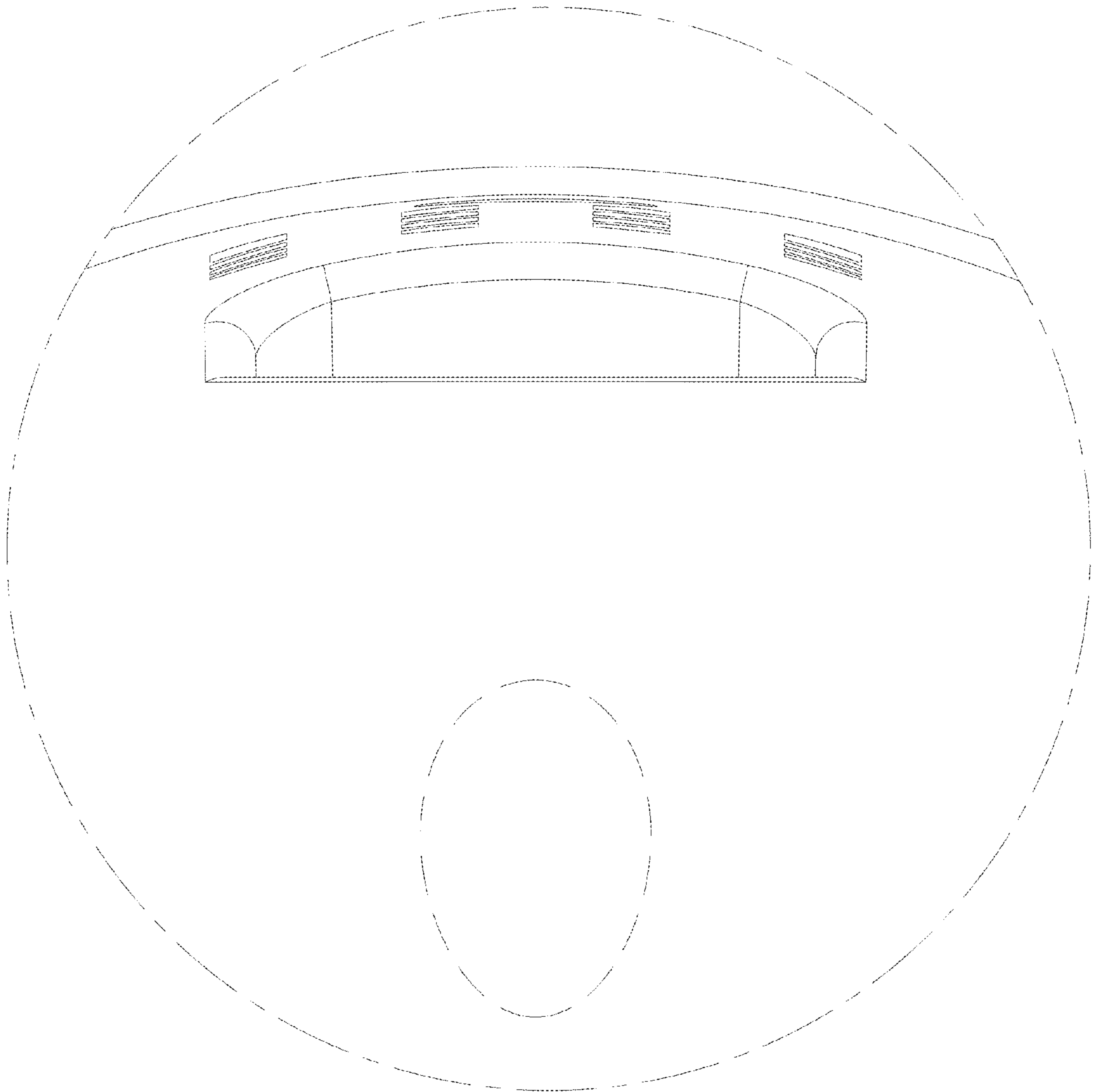


FIG. 8