

US00D963973S

(12) **United States Design Patent**
Ma

(10) **Patent No.:** **US D963,973 S**

(45) **Date of Patent:** **** Sep. 13, 2022**

(54) **AIR DUSTER**

(71) Applicant: **Shaowei Ma**, Guangdong (CN)

(72) Inventor: **Shaowei Ma**, Guangdong (CN)

(**) Term: **15 Years**

(21) Appl. No.: **29/796,895**

(22) Filed: **Jun. 28, 2021**

(51) **LOC (13) Cl.** **15-05**

(52) **U.S. Cl.**
USPC **D32/17**

(58) **Field of Classification Search**
USPC D32/15, 17-24, 31-34
CPC A47L 5/24; A47L 7/0076; A47L 11/04;
A47L 11/22; A47L 5/28; A47L 9/106;
A47L 11/30; A47L 11/4005; A47L 9/32;
A47L 9/322; A47L 9/325; B04C 5/185;
E04H 4/1636; B08B 5/00; B08B 5/02
See application file for complete search history.

(56) **References Cited**

U.S. PATENT DOCUMENTS

D314,649	S	*	2/1991	Campbell, Sr.	D23/223
D405,566	S	*	2/1999	Webster	D32/18
D418,641	S	*	1/2000	Yuen	D32/17
D442,671	S	*	5/2001	Chih	D23/223
D452,051	S	*	12/2001	Antonio	D32/17
D475,490	S	*	6/2003	Choi	D32/17
D512,122	S	*	11/2005	Yorns	D23/223
D519,694	S	*	4/2006	Rosenzweig	D32/17
D568,609	S	*	5/2008	Evans	D4/102
D574,465	S	*	8/2008	Rigolio	D23/226
D605,820	S	*	12/2009	LaValle	D32/18
D625,058	S	*	10/2010	Kovach	D32/14
D634,493	S	*	3/2011	Breit	D32/17
D648,908	S	*	11/2011	Ediger	D32/17

D668,824	S	*	10/2012	Miers	D32/18
D770,111	S	*	10/2016	Lee	D32/34
D802,863	S	*	11/2017	Jang	D32/34
D803,984	S	*	11/2017	Tschopp	D23/226
D855,915	S	*	8/2019	Kim	D32/34
2020/0222149	A1	*	7/2020	Valentine	A61B 90/70

OTHER PUBLICATIONS

AFMAT Cordless Air Duster Rechargeable (on-line), date first available Sep. 8, 2019. Retrieved from Internet Apr. 28, 2022, URL: <https://www.amazon.com/AFMAT-Replacement-Compressed-Computers-Rechargeable/dp/B07XJMR71R?th=1> (5 pages) (Year: 2019).*

KOONIE Cordless Air Duster Battery Operated (on-line), date first available Nov. 11, 2020. Retrieved from Internet Apr. 28, 2022, URL: <https://www.amazon.com/Cordless-Operated-Computer-Cleaning-Compressed/dp/B08865VFTF?th=1> (5 pages) (Year: 2020).*

(Continued)

Primary Examiner — Kimberly Barnes

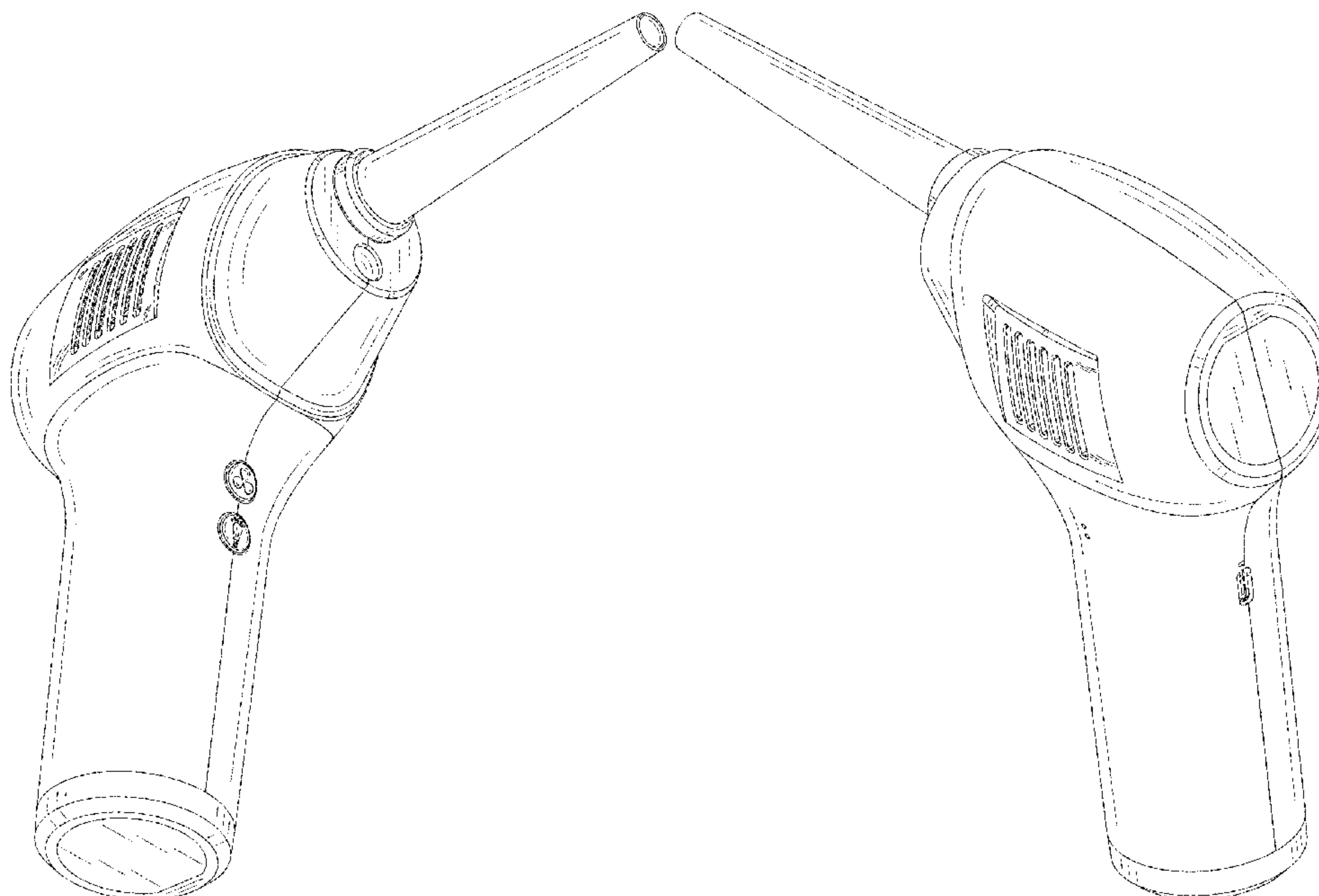
(57) **CLAIM**

The ornamental design for an air duster, as shown and described.

DESCRIPTION

FIG. 1 is a front view of an air duster showing my new design;
FIG. 2 is a back view thereof;
FIG. 3 is a left side view thereof;
FIG. 4 is a right side view thereof;
FIG. 5 is a top view thereof;
FIG. 6 is a bottom view thereof;
FIG. 7 is a perspective view thereof;
FIG. 8 is another perspective view thereof; and,
FIG. 9 is enlarged illustration of the portion of the air duster encircled at 9 in FIG. 5.

1 Claim, 9 Drawing Sheets



(56)

References Cited

OTHER PUBLICATIONS

Merkmak Electric Cordless Air Duster (on-line), date first available Apr. 10, 2021. Retrieved from Internet Apr. 28, 2022, URL: <https://www.amazon.com/Merkmak-Electric-Rechargeable-Compressed-Efficient/dp/B08ZCPDBY8> (5 pages) (Year: 2021).*

Wireless Air Duster USB Handheld Rechargeable (on-line), dated Jul. 16, 2021. Retrieved from Internet Apr. 28, 2022, URL: <https://www.youtube.com/watch?v=YgWPIh5w4ZU> (1 page) (Year: 2021).*

* cited by examiner

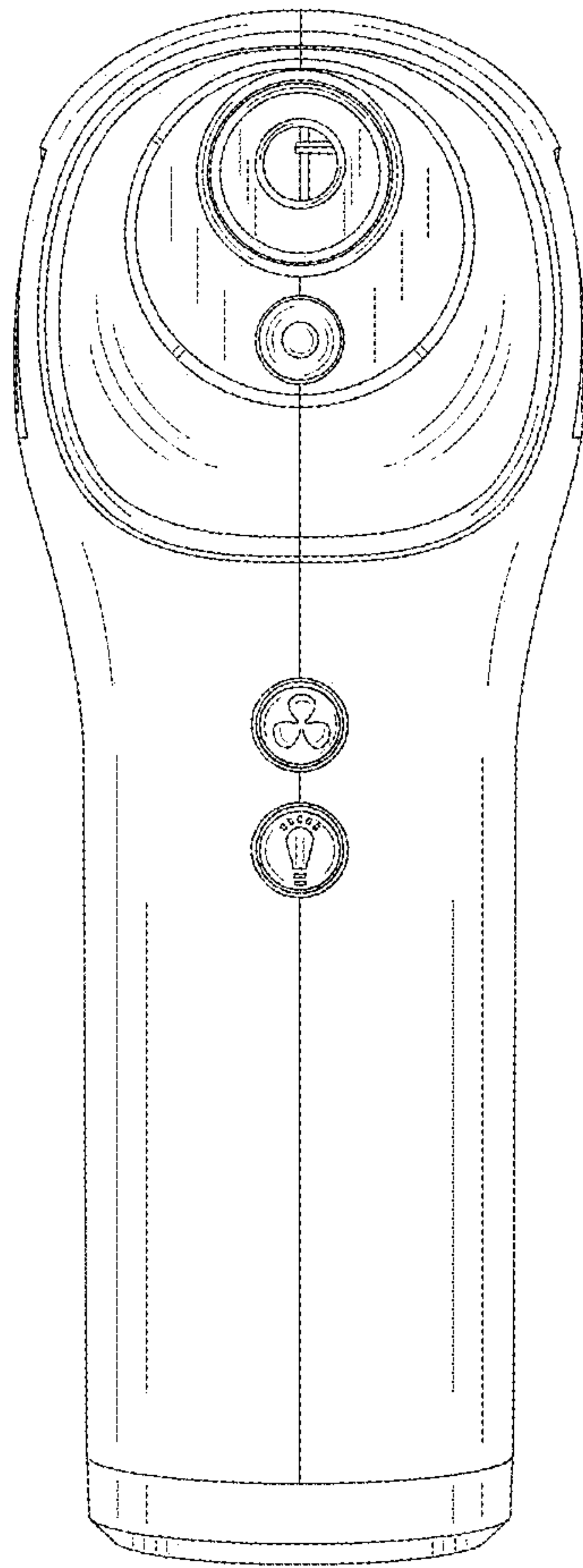


FIG. 1

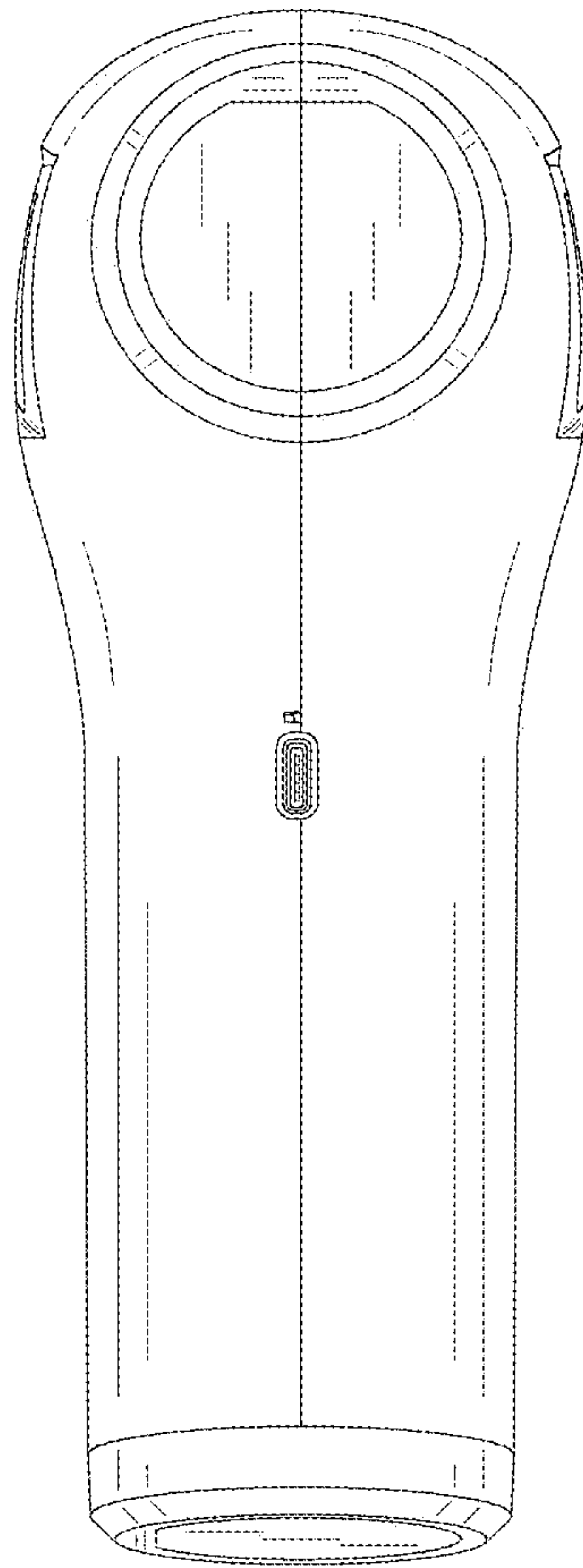


FIG. 2

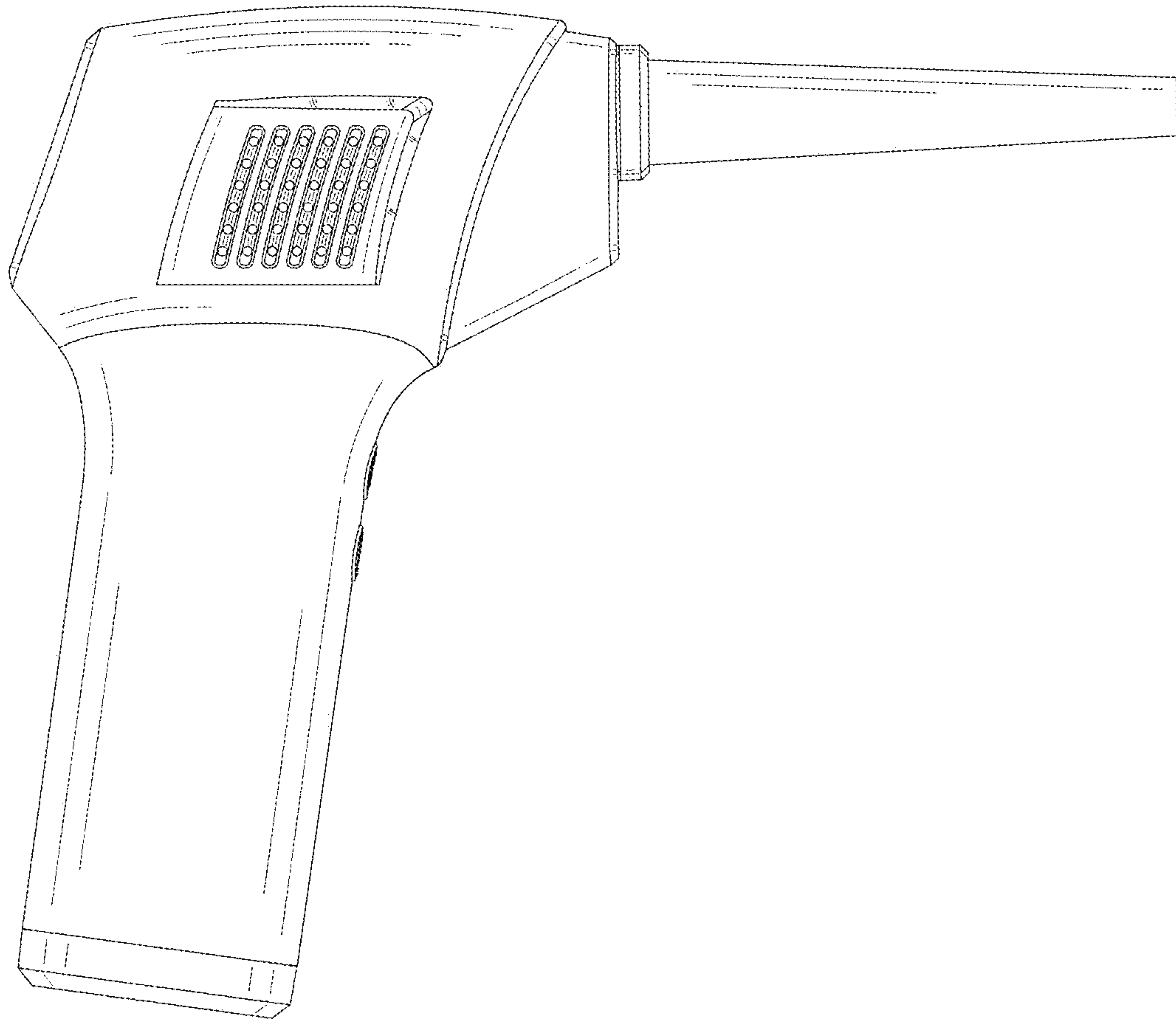


FIG. 3

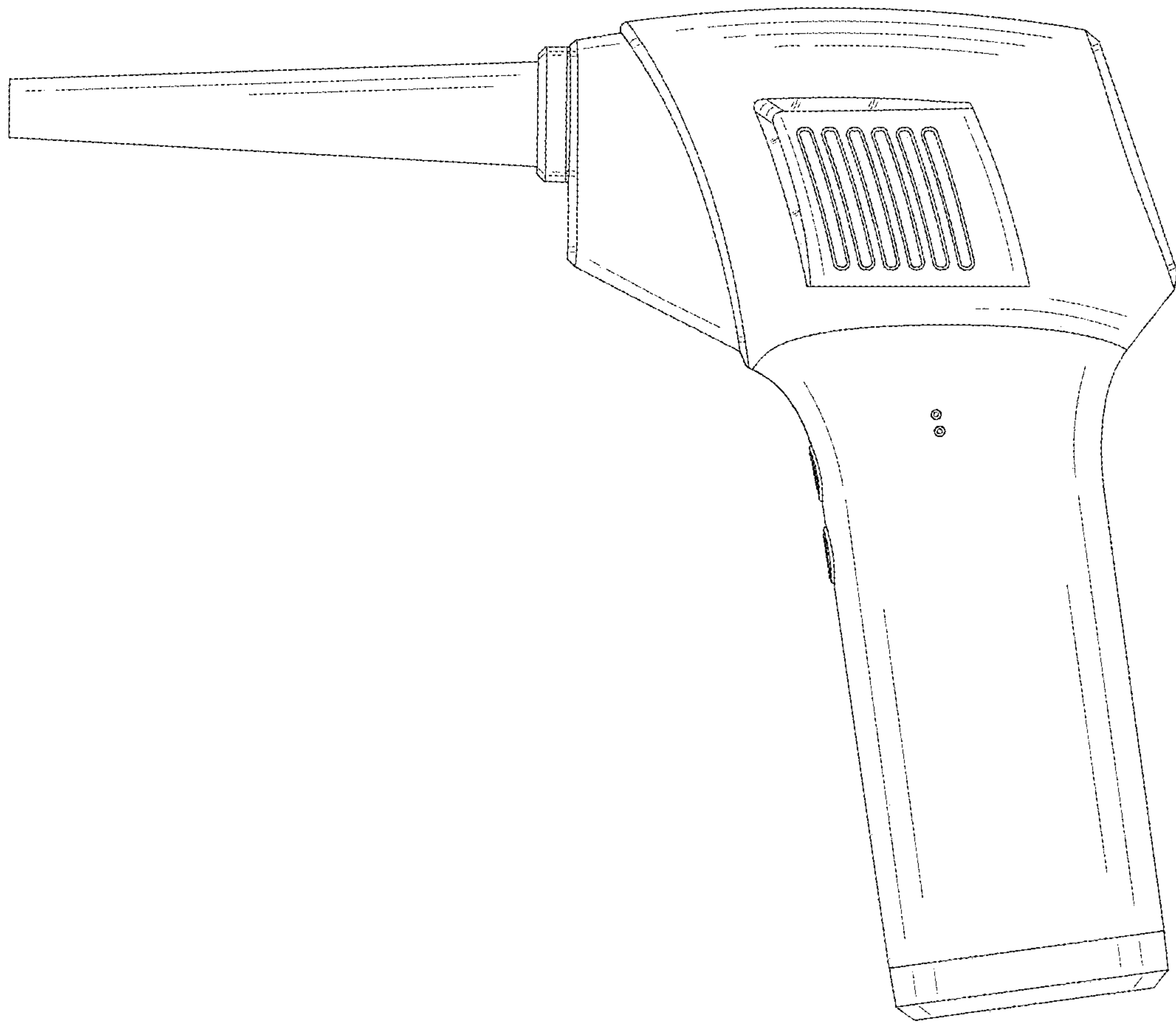


FIG. 4

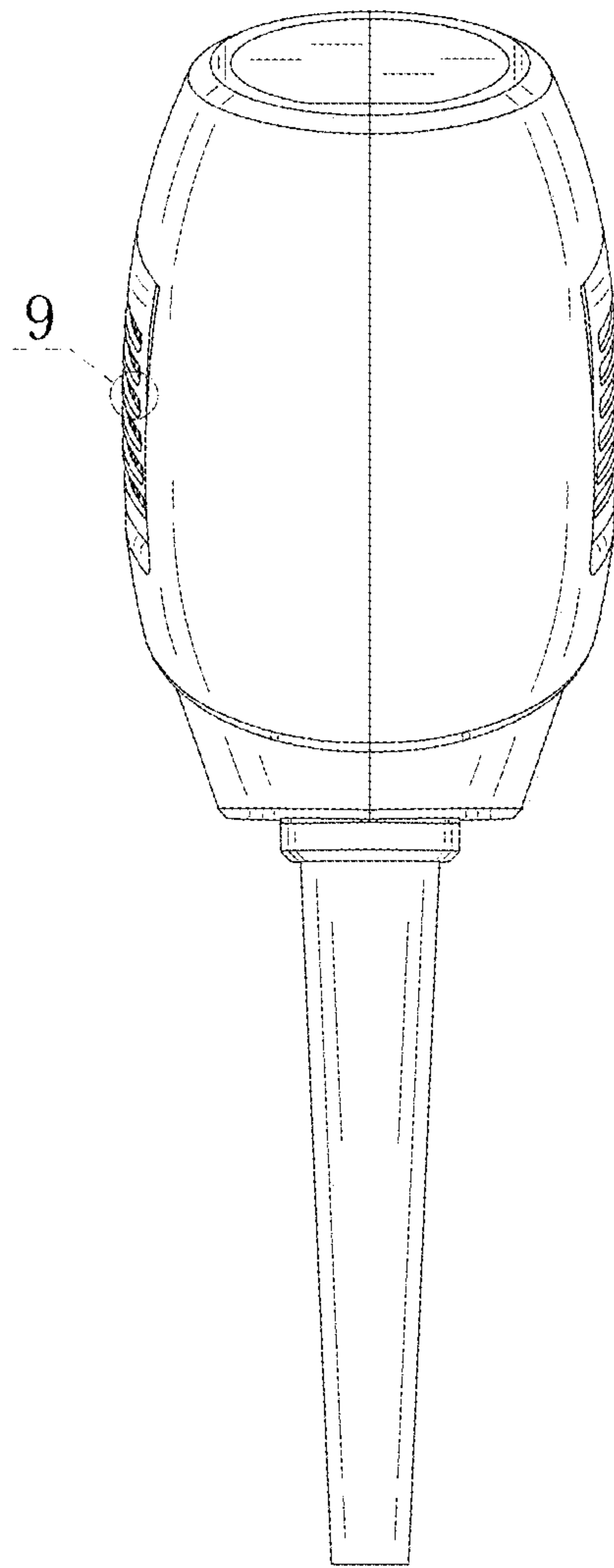


FIG. 5

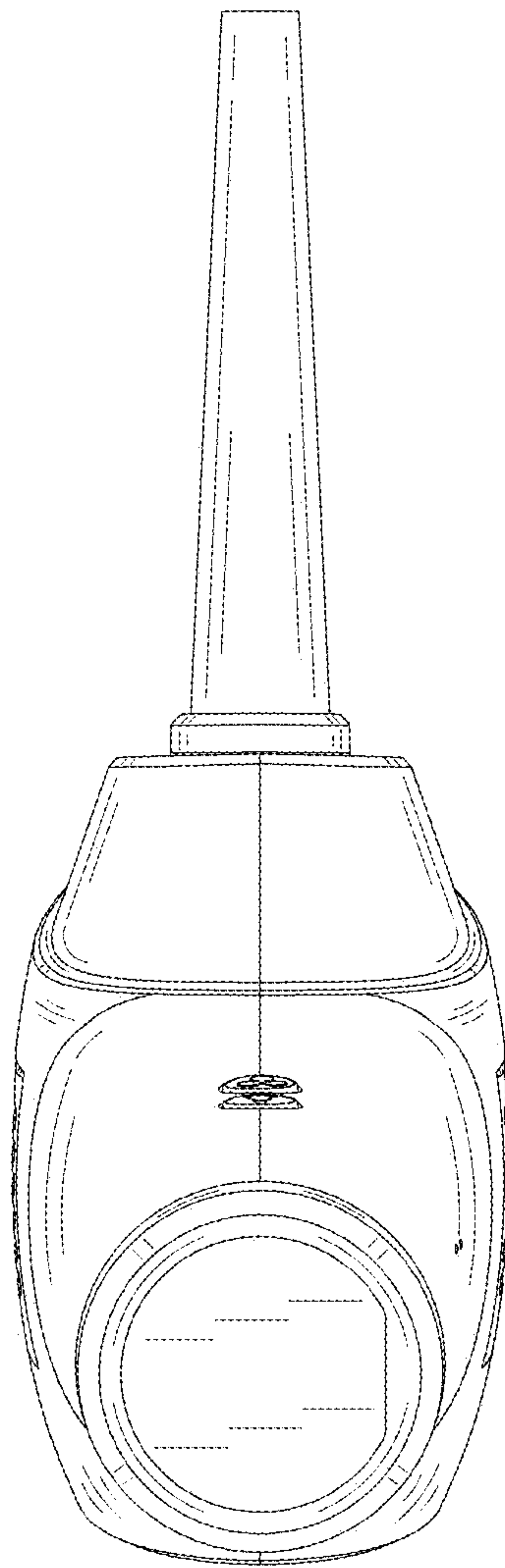


FIG. 6

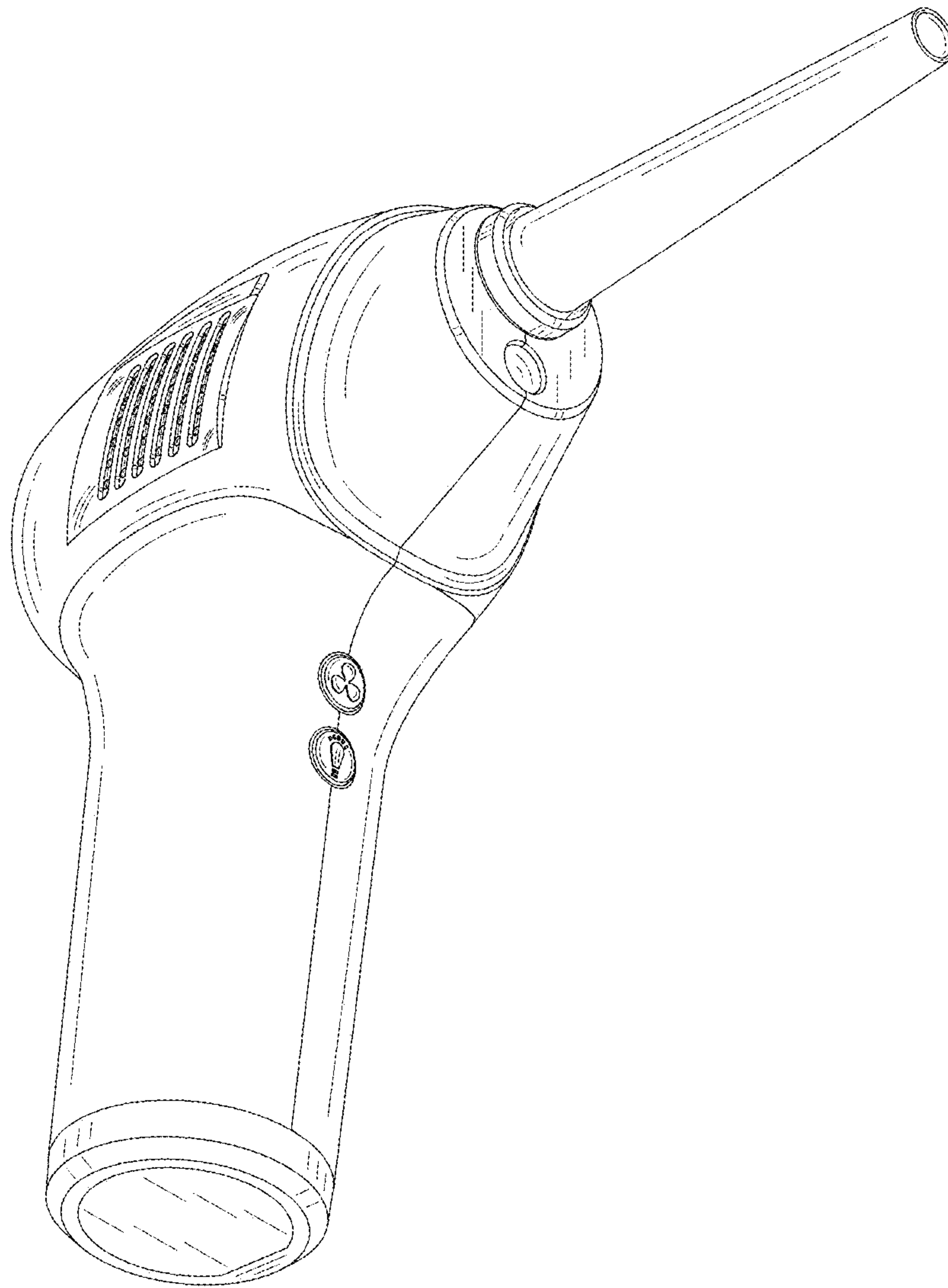


FIG. 7

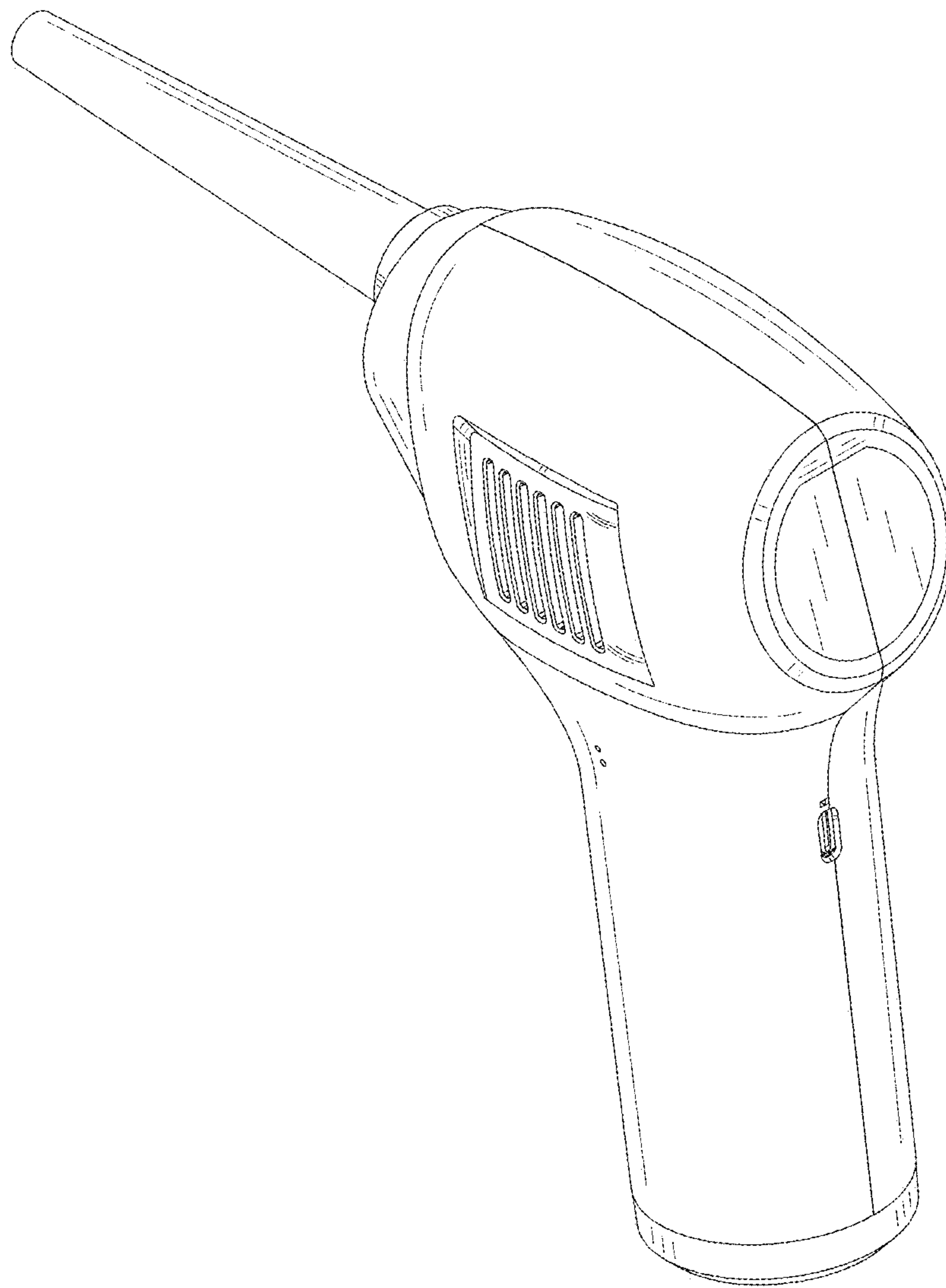


FIG. 8

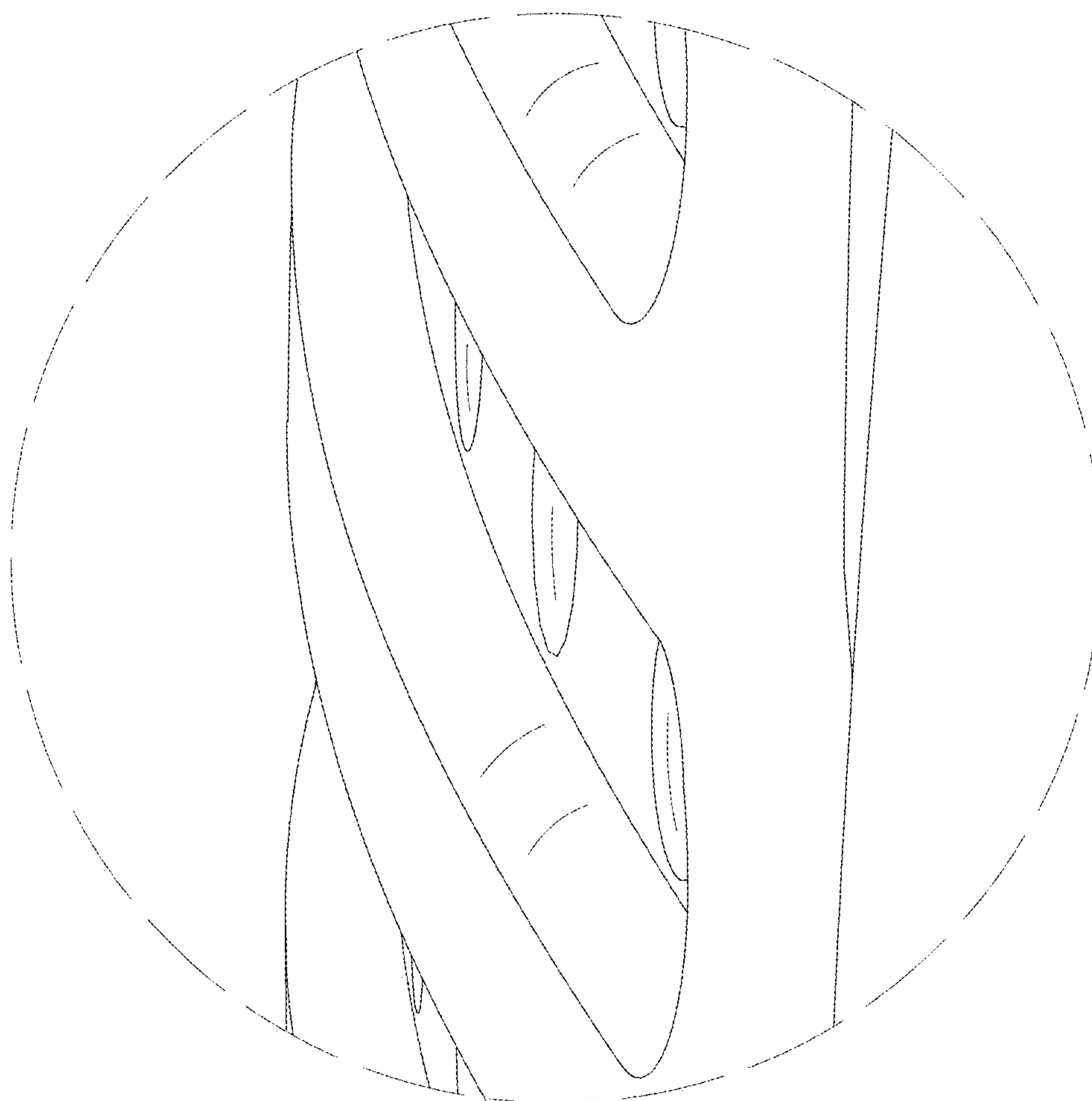


FIG. 9