



US00D963972S

(12) **United States Design Patent**  
**Ma**

(10) **Patent No.: US D963,972 S**

(45) **Date of Patent: \*\* Sep. 13, 2022**

(54) **DUST BLOWER**

(71) Applicant: **Shaowei Ma**, Guangdong (CN)

(72) Inventor: **Shaowei Ma**, Guangdong (CN)

(\*\*) Term: **15 Years**

(21) Appl. No.: **29/770,178**

(22) Filed: **Feb. 10, 2021**

(51) **LOC (13) Cl. .... 15-05**

(52) **U.S. Cl.**  
USPC ..... **D32/17**

(58) **Field of Classification Search**

USPC ..... D32/15, 17-24, 31-34

CPC ..... A47L 5/24; A47L 7/0076; A47L 11/04;

A47L 11/22; A47L 5/28; A47L 9/106;

A47L 11/30; A47L 11/4005; A47L 9/32;

A47L 9/322; A47L 9/325; B04C 5/185;

E04H 4/1636; B08B 5/00; B08B 5/02

See application file for complete search history.

(56) **References Cited**

**U.S. PATENT DOCUMENTS**

D314,649 S *	2/1991	Campbell, Sr. ....	D23/223
D405,566 S *	2/1999	Webster .....	D32/18
D418,641 S *	1/2000	Yuen .....	D32/17
D442,671 S *	5/2001	Chih .....	D23/223
D452,051 S *	12/2001	Antonio .....	D32/17
D475,490 S *	6/2003	Choi .....	D32/17
D512,122 S *	11/2005	Yorns .....	D23/223
D519,694 S *	4/2006	Rosenzweig .....	D32/17
D568,609 S *	5/2008	Evans .....	D4/102
D574,465 S *	8/2008	Rigolio .....	D23/226
D605,820 S *	12/2009	LaValle .....	D32/18
D625,058 S *	10/2010	Kovach .....	D32/14
D634,493 S *	3/2011	Breit .....	D32/17

D648,908 S *	11/2011	Ediger .....	D32/17
D668,824 S *	10/2012	Miers .....	D32/18
D770,111 S *	10/2016	Lee .....	D32/34
D802,863 S *	11/2017	Jang .....	D32/34
D803,984 S *	11/2017	Tschopp .....	D23/226
D855,915 S *	8/2019	Kim .....	D32/34
2020/0222149 A1 *	7/2020	Valentine .....	A61B 90/70

**OTHER PUBLICATIONS**

AFMAT Cordless Air Duster Rechargeable (on-line), date first available Sep. 8, 2019. Retrieved from Internet Apr. 28, 2022, URL: <https://www.amazon.com/AFMAT-Replacement-Compressed-Computers-Rechargeable/dp/B07XJMR71R?th=1> (5 pages) (Year: 2019).\*

KOONIE Cordless Air Duster Battery Operated (on-line), date first available Nov. 11, 2020. Retrieved from Internet Apr. 28, 2022, URL: <https://www.amazon.com/Cordless-Operated-Computer-Cleaning-Compressed/dp/B08865VF7F?th=1> (5 pages) (Year: 2020).\*

(Continued)

*Primary Examiner* — Kimberly Barnes

(57) **CLAIM**

The ornamental design for a dust blower, as shown and described.

**DESCRIPTION**

FIG. 1 is a front view of a dust blower showing my new design;

FIG. 2 is a back view thereof;

FIG. 3 is a left side view thereof;

FIG. 4 is a right side view thereof;

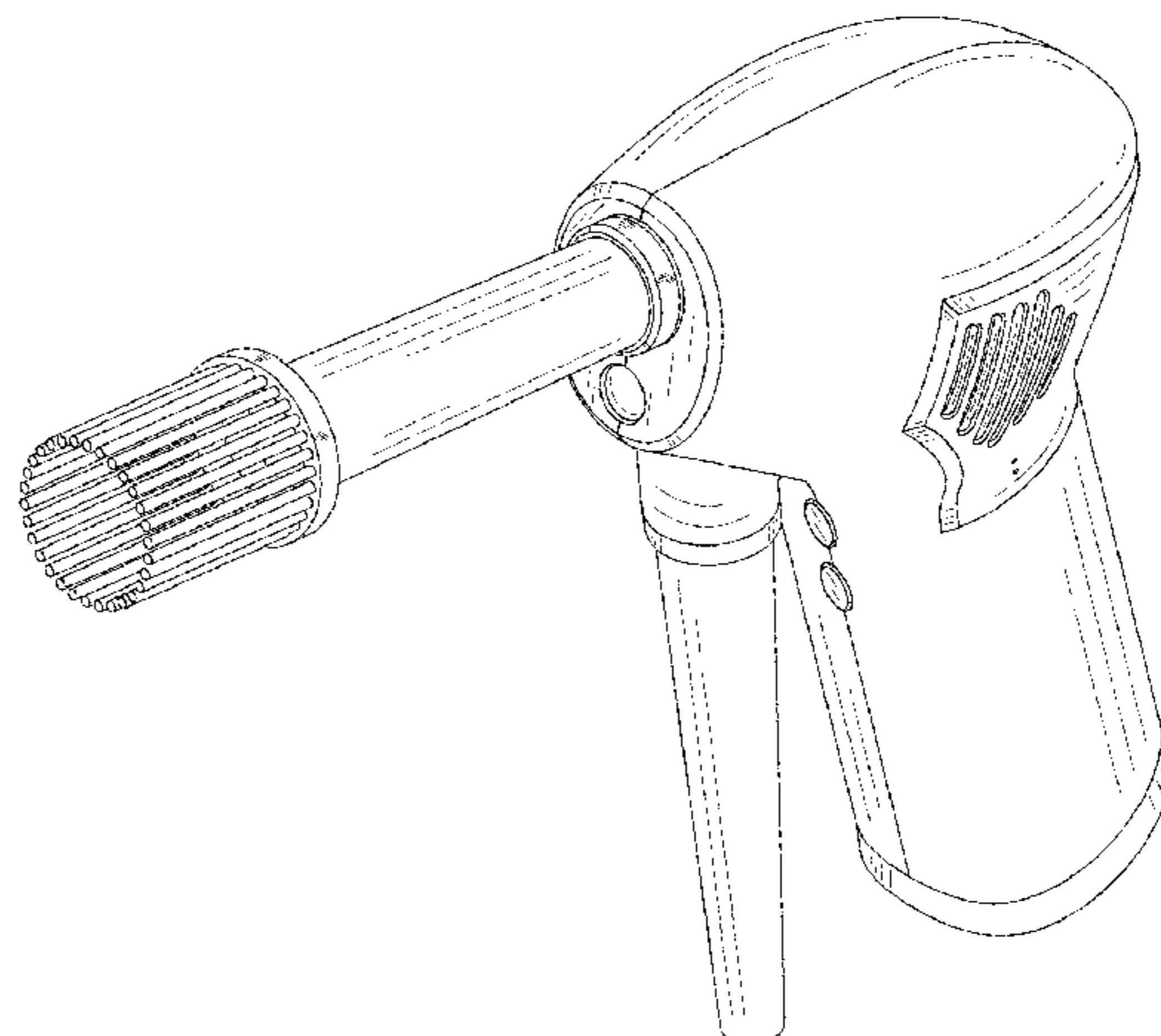
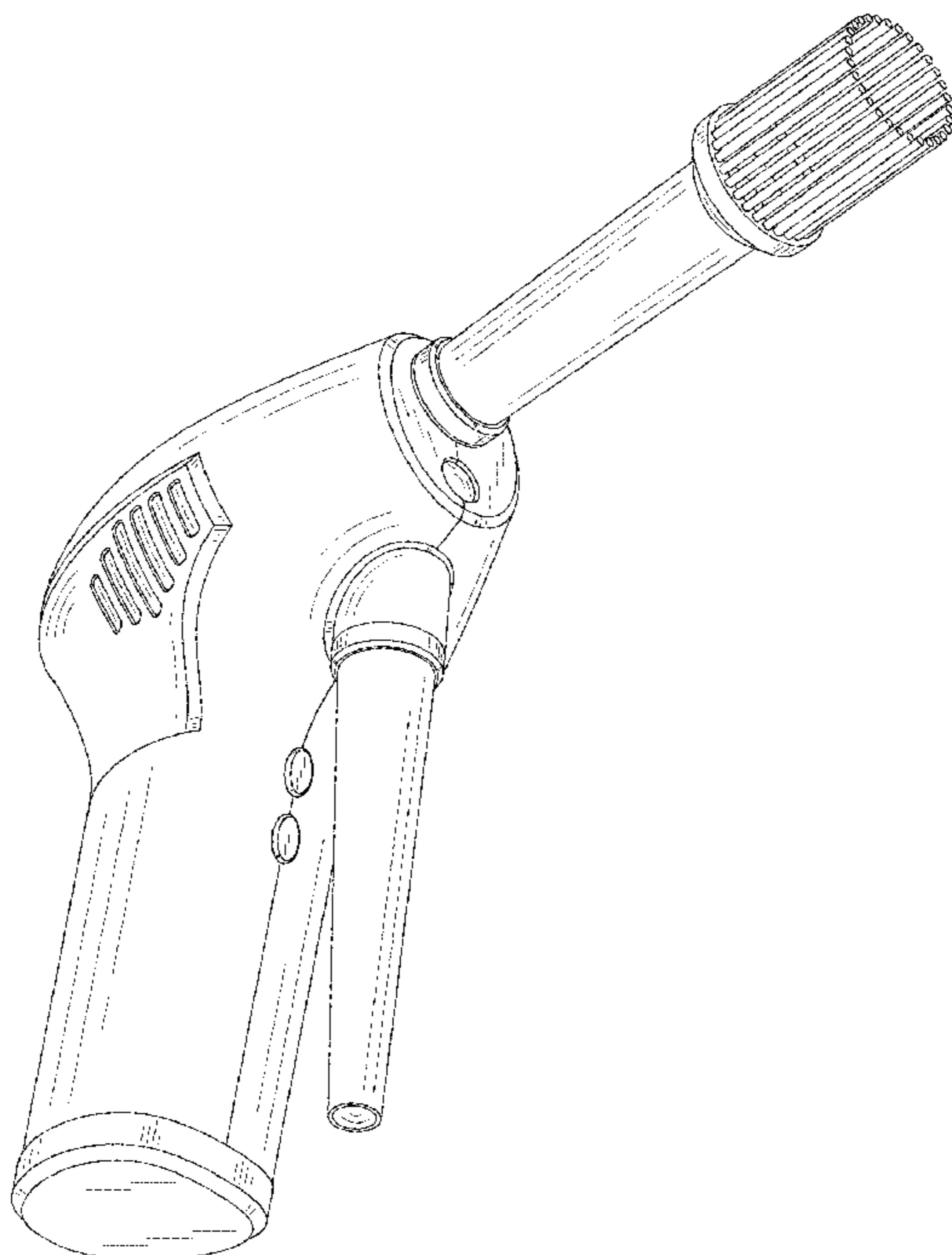
FIG. 5 is a top view thereof;

FIG. 6 is a bottom view thereof;

FIG. 7 is a perspective view thereof; and,

FIG. 8 is another perspective view thereof.

**1 Claim, 8 Drawing Sheets**



(56)

**References Cited**

OTHER PUBLICATIONS

Merkmak Electric Cordless Air Duster (on-line), date first available Apr. 10, 2021. Retrieved from Internet Apr. 28, 2022, URL: <https://www.amazon.com/Merkmak-Electric-Rechargeable-Compressed-Efficient/dp/B08ZCPDBY8> (5 pages) (Year: 2021).\*

Wireless Air Duster USB Handheld Rechargeable (on-line), dated Jul. 16, 2021. Retrieved from Internet Apr. 28, 2022, URL: <https://www.youtube.com/watch?v=YgWPIh5w4ZU> (1 page) (Year: 2021).\*

\* cited by examiner

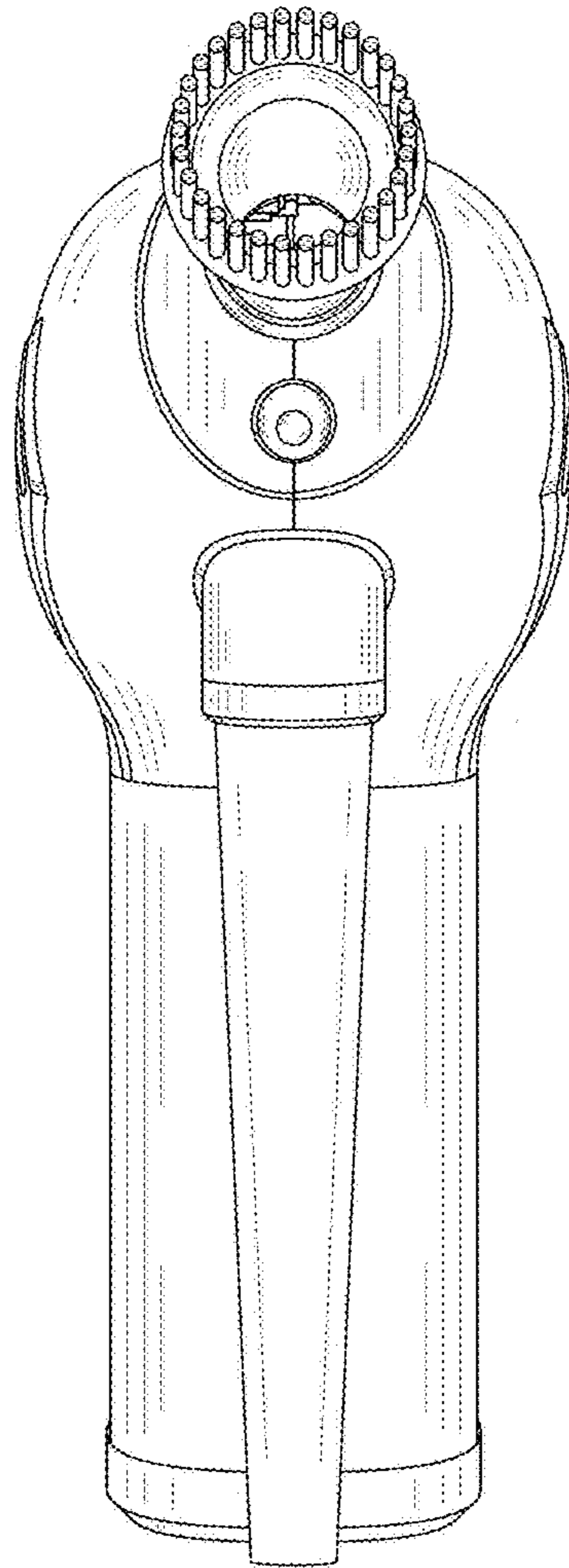


FIG. 1

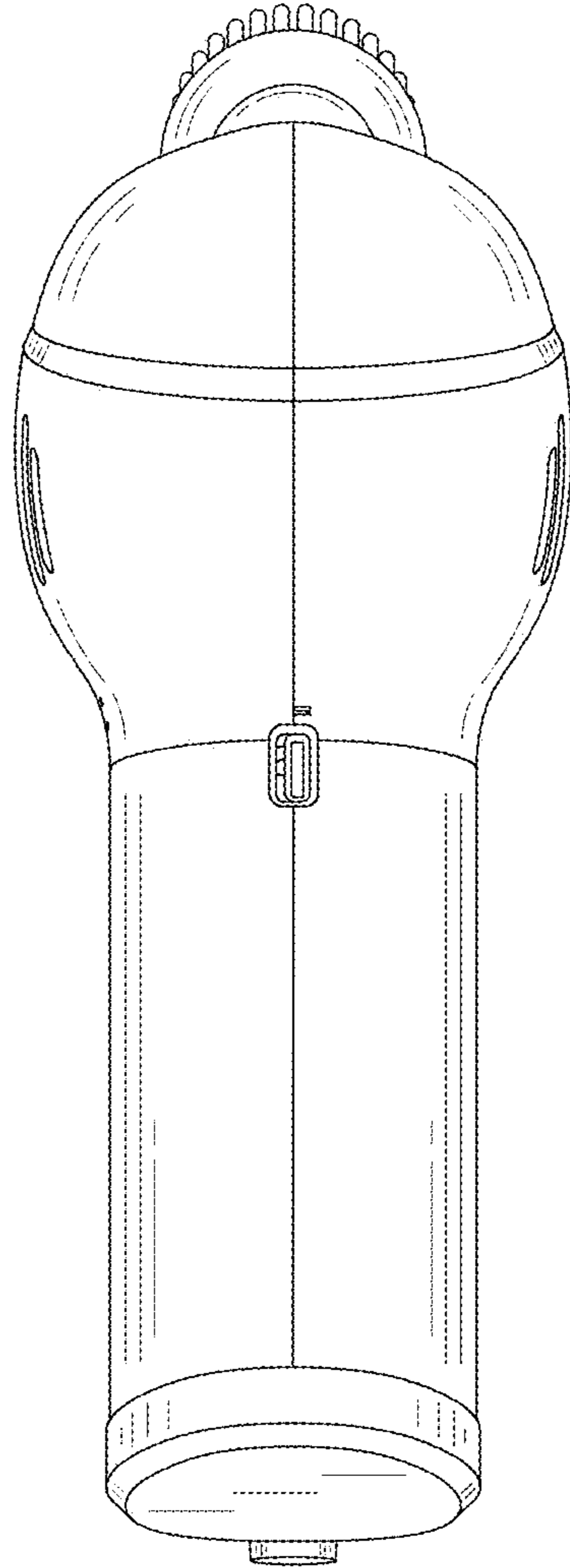


FIG. 2

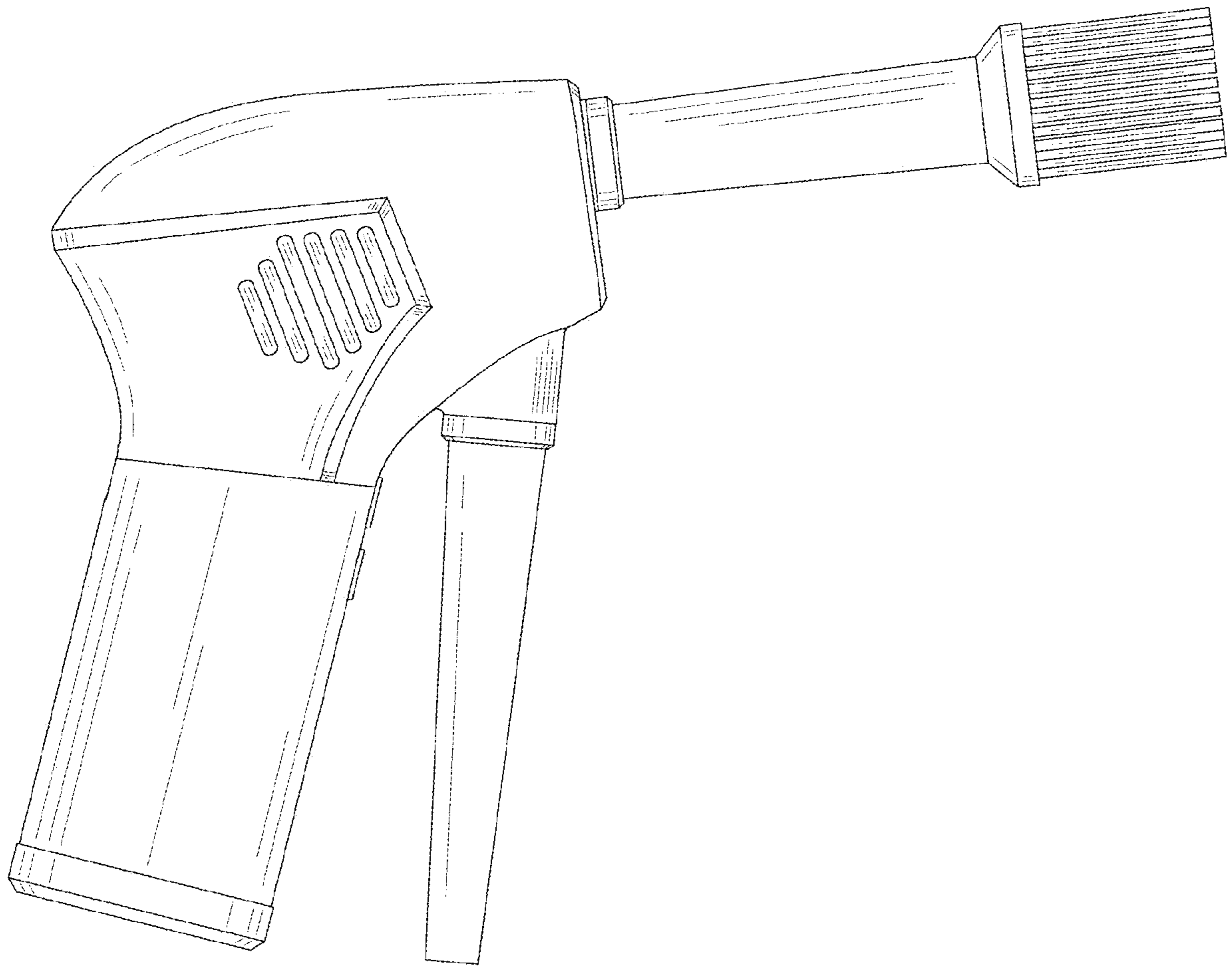


FIG. 3

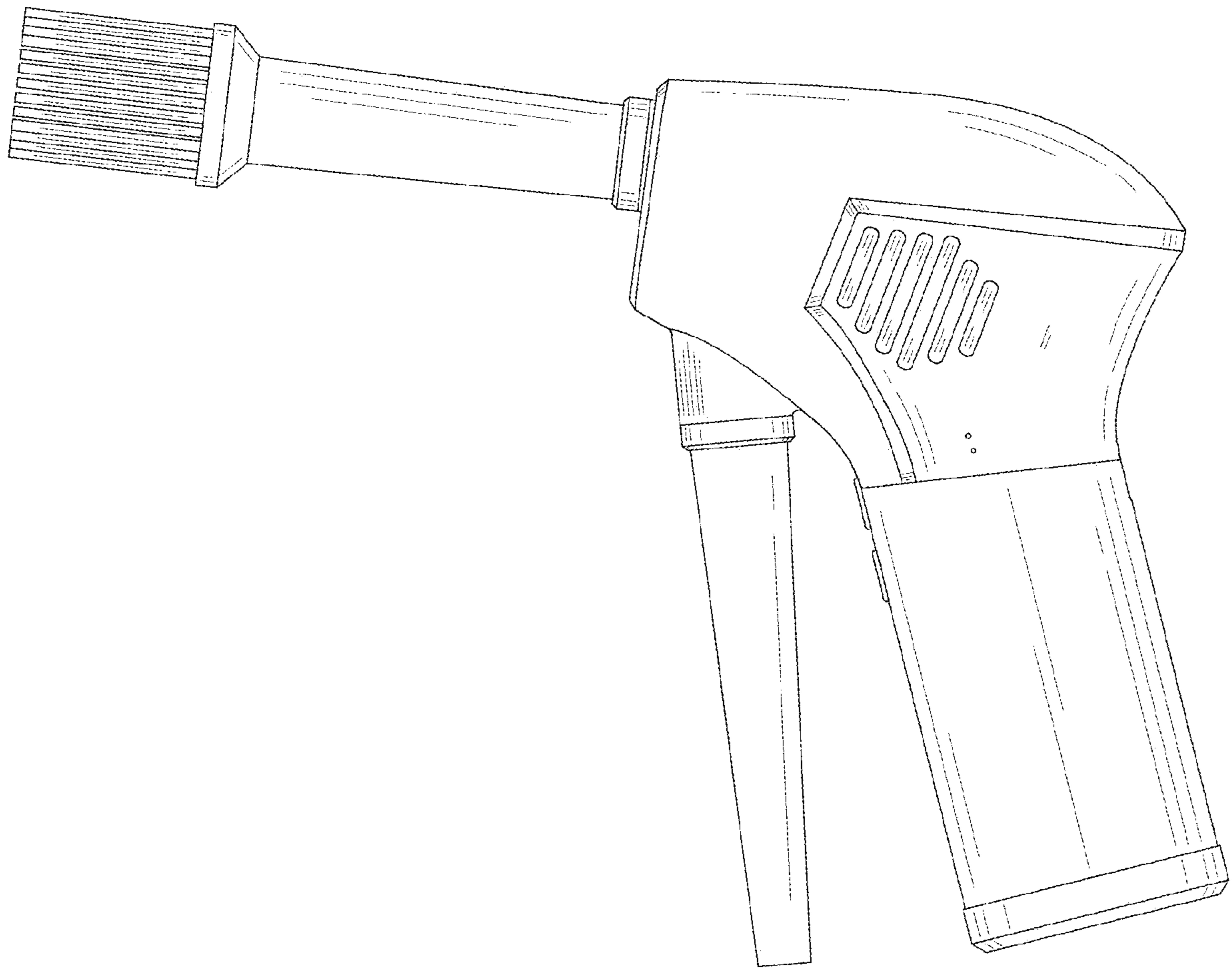


FIG. 4

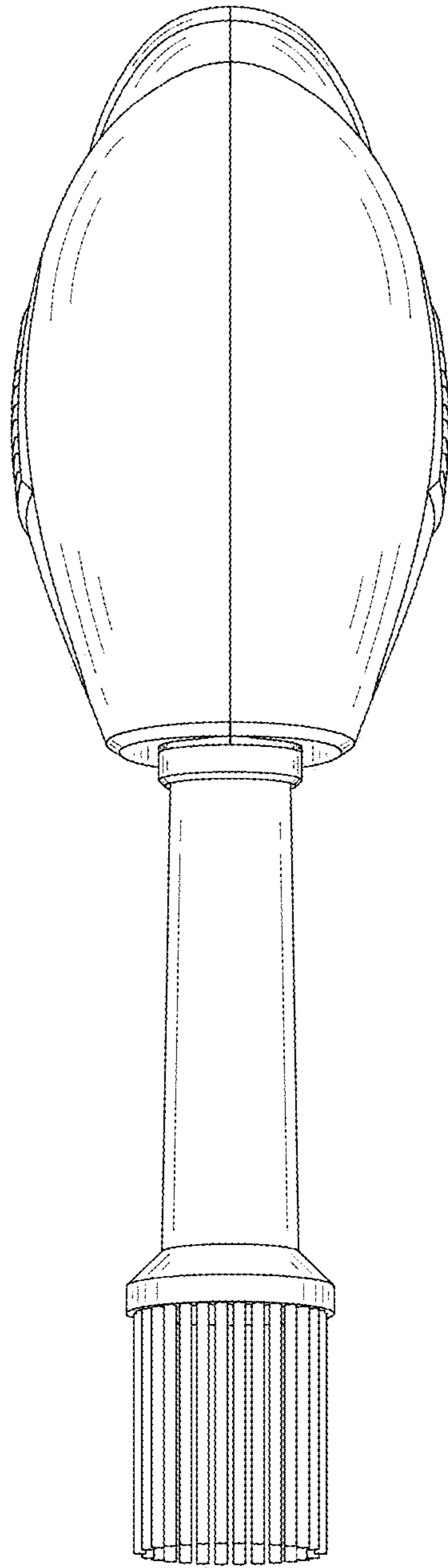


FIG. 5

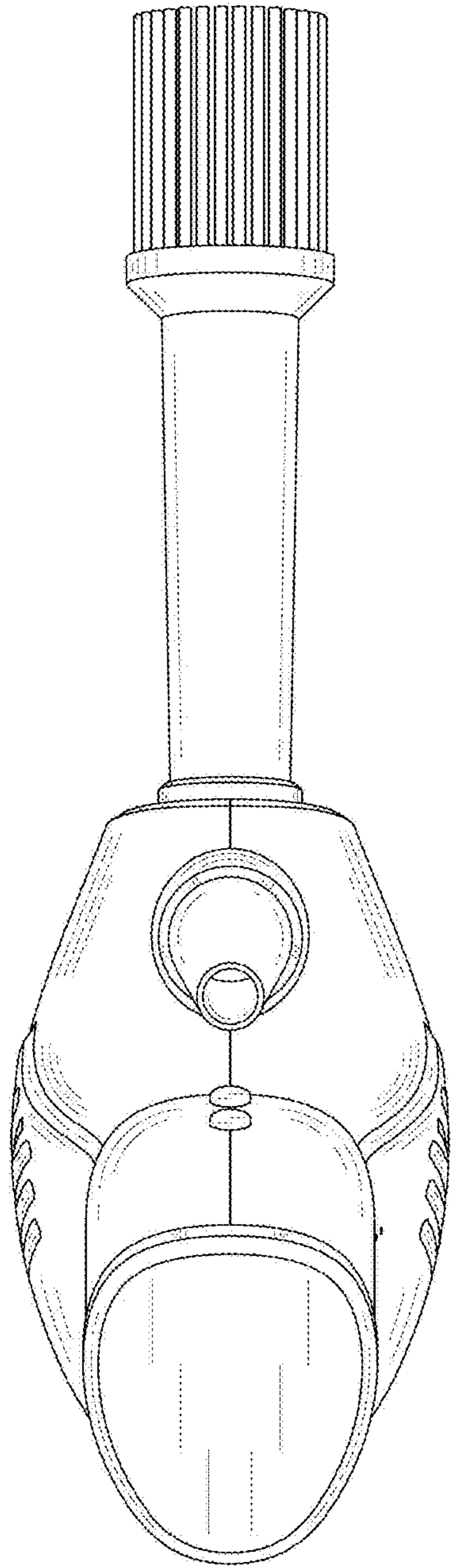


FIG. 6



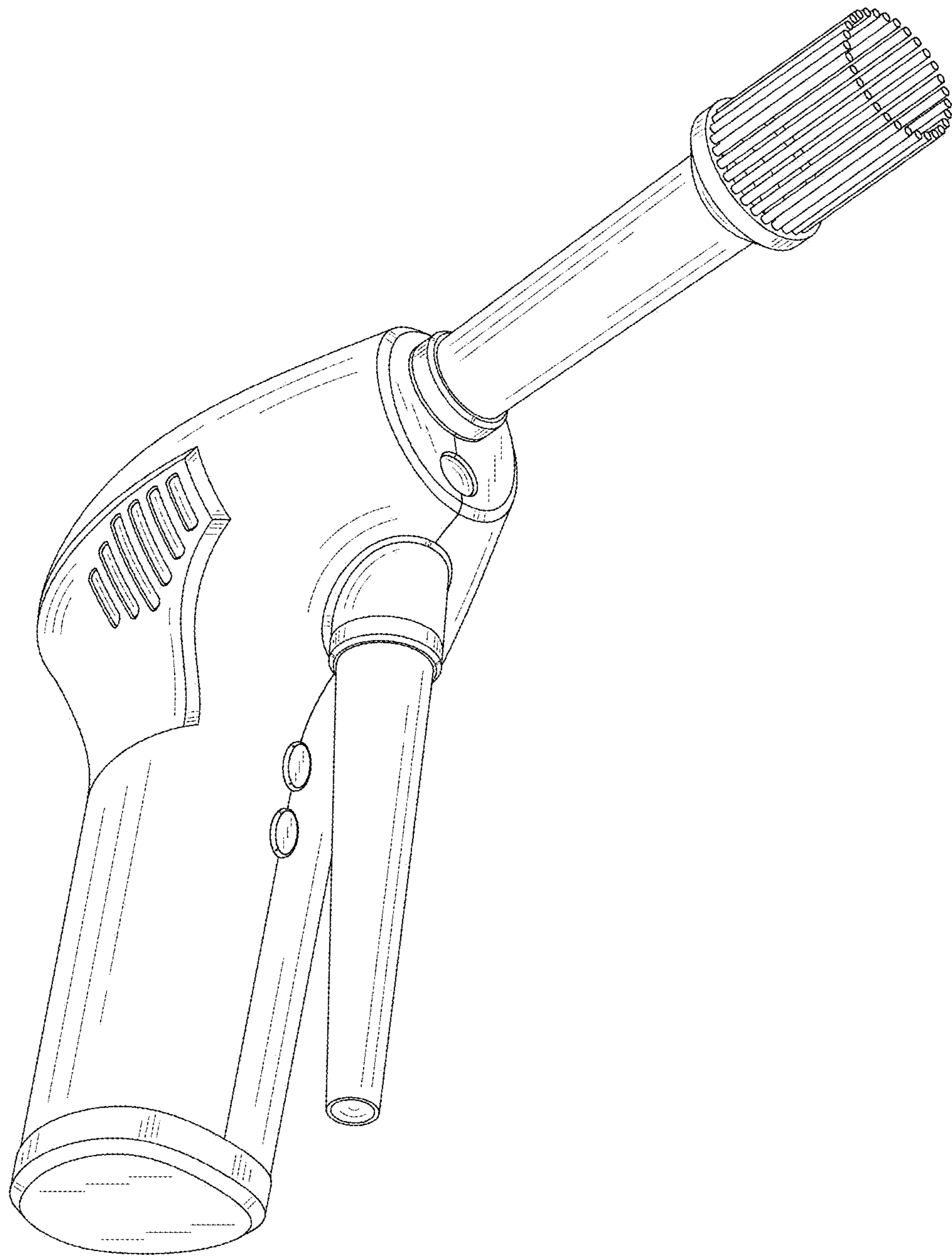


FIG. 7

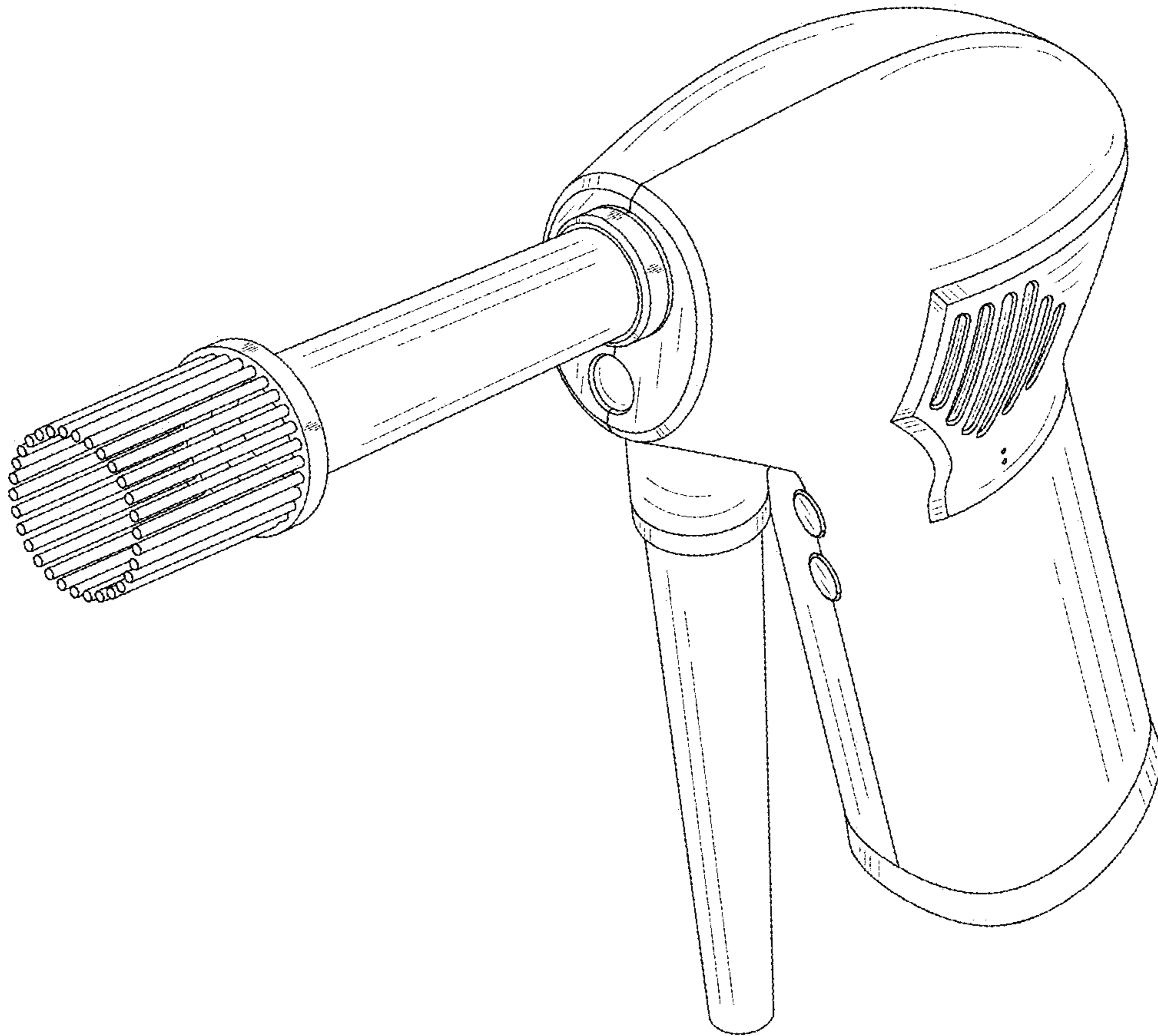


FIG. 8