



US00D963970S

(12) **United States Design Patent** (10) **Patent No.:** **US D963,970 S**  
**Lee et al.** (45) **Date of Patent:** **\*\* Sep. 13, 2022**

(54) **INDOOR WALL FOR THE BUILT-IN HOME APPLIANCES**

FOREIGN PATENT DOCUMENTS

(71) Applicant: **LG ELECTRONICS INC.**, Seoul (KR)

CN 304119485 \* 4/2017

(72) Inventors: **Bumsang Lee**, Seoul (KR); **Hyunju Ahn**, Seoul (KR); **Sesook Oh**, Seoul (KR)

OTHER PUBLICATIONS

LG Reveals Upgraded LG Styler Clothing Care System—Weboo <https://www.weboo.co/lg-reveals-upgraded-lg-styler-clothing-care-system/> Sep. 2015 (Year: 2015).\*

(73) Assignee: **LG ELECTRONICS INC.**, Seoul (KR)

(Continued)

(\*\*) Term: **15 Years**

*Primary Examiner* — Leanne Was-Englehart

(21) Appl. No.: **29/736,799**

(74) *Attorney, Agent, or Firm* — Birch, Stewart, Kolasch & Birch, LLP

(22) Filed: **Jun. 3, 2020**

(30) **Foreign Application Priority Data**

(57) **CLAIM**

Dec. 4, 2019 (KR) ..... 30-2019-0058538

The ornamental design for an indoor wall for the built-in home appliances, as shown and described.

(51) **LOC (13) Cl.** ..... **32-01**

(52) **U.S. Cl.**  
USPC ..... **D32/6; D25/58**

(58) **Field of Classification Search**  
USPC ..... D6/315, 552, 657–664; D25/58, 138, D25/199; D32/5–10, 25, 28  
CPC ..... D06F 58/10; D06F 58/12; D06F 58/20; D06F 58/203; D06F 73/02  
See application file for complete search history.

**DESCRIPTION**

(56) **References Cited**

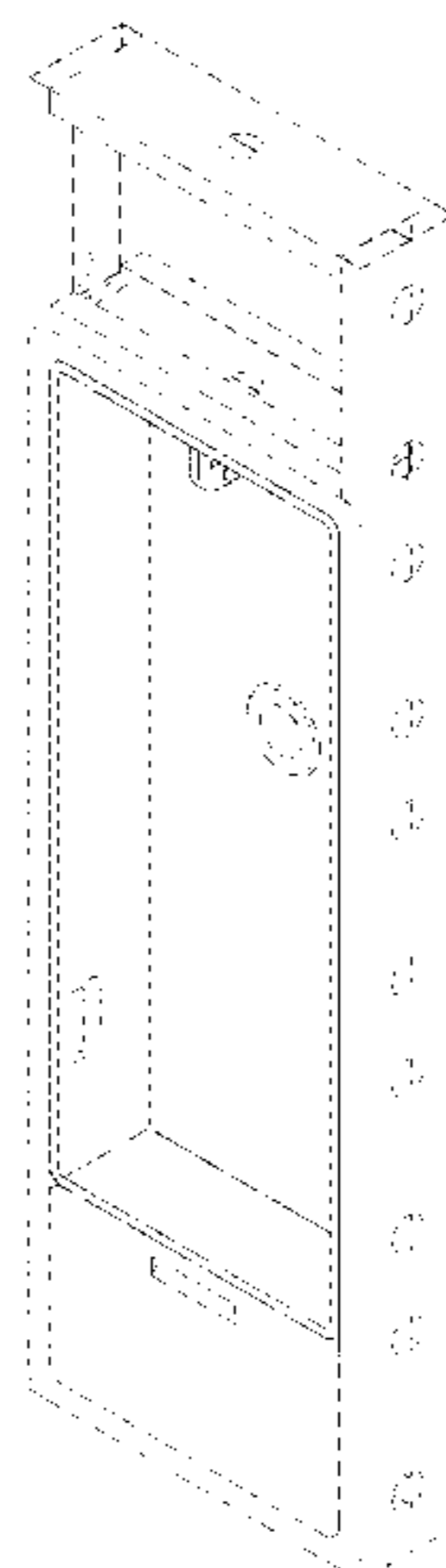
U.S. PATENT DOCUMENTS

8,037,626 B2 \* 10/2011 Moon ..... D06F 58/10 38/14  
8,215,133 B2 \* 7/2012 Kim ..... D06F 58/203 68/5 C  
D671,282 S \* 11/2012 Jeon ..... D32/10  
D672,574 S \* 12/2012 Wilson, Jr. .... D6/663  
8,424,141 B2 \* 4/2013 Yoo ..... D06F 58/203 8/149.3  
8,484,868 B2 \* 7/2013 Kim ..... D06F 58/12 38/14

FIG. 1 is a top perspective view of the indoor wall for the built-in home appliances showing our new design; FIG. 2 is a bottom perspective view thereof; FIG. 3 is a front view thereof; FIG. 4 is a rear view thereof; FIG. 5 is a left side view thereof where the right side view is a mirror image; FIG. 6 is a top plan view thereof where the bottom plan view is a mirror image; and, FIG. 7 is a reference view showing the state of use that the clothes management apparatus has been separated from the frame by using the handles at both sides of the inside of this design. The broken lines depict portions of the indoor wall for the built-in home appliances that form no part of the claimed design.

(Continued)

**1 Claim, 7 Drawing Sheets**



(56)

**References Cited**

U.S. PATENT DOCUMENTS

D732,773 S \* 6/2015 Chung ..... D32/25  
 D732,775 S \* 6/2015 Chung ..... D32/25  
 D743,127 S \* 11/2015 Chung ..... D32/25  
 D805,702 S \* 12/2017 Lee ..... D32/9  
 D824,124 S \* 7/2018 Lee ..... D32/6  
 D828,656 S \* 9/2018 Chung ..... D32/6  
 D870,319 S \* 12/2019 Albarran ..... D25/58  
 D895,912 S \* 9/2020 Kim ..... D32/10  
 RE48,255 E \* 10/2020 Lim ..... D06F 58/10  
 D915,011 S \* 3/2021 Heo ..... D32/10  
 D918,497 S \* 5/2021 Seo ..... D32/6  
 D922,355 S \* 6/2021 Lee ..... D14/217  
 D935,115 S \* 11/2021 Kim ..... D32/6  
 2007/0170823 A1 \* 7/2007 Stannis ..... A47B 81/06  
 312/7.2  
 2015/0159315 A1 \* 6/2015 Lim ..... D06F 71/36  
 38/3  
 2018/0135236 A1 \* 5/2018 Lim ..... D06F 73/02  
 2018/0135237 A1 \* 5/2018 Yoon ..... D06F 71/36  
 2019/0024288 A1 \* 1/2019 Nam ..... D06F 37/26

2019/0368117 A1 \* 12/2019 Kim ..... D06F 58/10  
 2020/0080245 A1 \* 3/2020 Kim ..... F04D 1/006  
 2021/0040675 A1 \* 2/2021 Park ..... F24F 11/30  
 2021/0140095 A1 \* 5/2021 Kim ..... D06F 71/34  
 2021/0156071 A1 \* 5/2021 Cho ..... D06F 58/20  
 2021/0180233 A1 \* 6/2021 Park ..... D06F 39/04  
 2021/0180237 A1 \* 6/2021 Choi ..... D06F 58/203  
 2021/0348320 A1 \* 11/2021 Park ..... D06F 58/22

OTHER PUBLICATIONS

LG Styler <https://web.archive.org/web/20200316155736/https://www.lg.com/us/styler/lg-S3RFBN-styler> Available Mar. 16, 2020 (Year: 2020).  
 S3RERB Styler 10 Spec Sheet <https://www.lg.com/us/support/products/documents/S3RERB%20Styler%2010%20Spec%20Sheet.pdf> Dated Aug. 30, 2016 (Year: 2016).  
 The Ultimate Laundry Room\_ Smarter & More Advanced \_ LG USA <https://web.archive.org/web/20181003063049/https://www.lg.com/us/laundry/ultimate-laundry-room> Available Oct. 3, 2018 (Year: 2015).\*

\* cited by examiner

FIG. 1

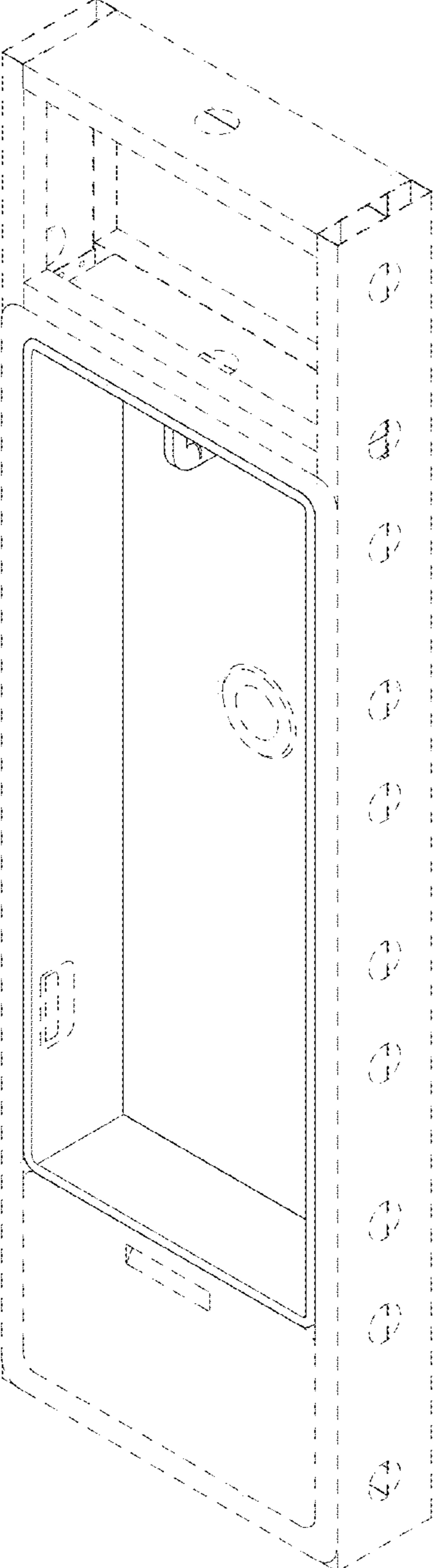


FIG. 2

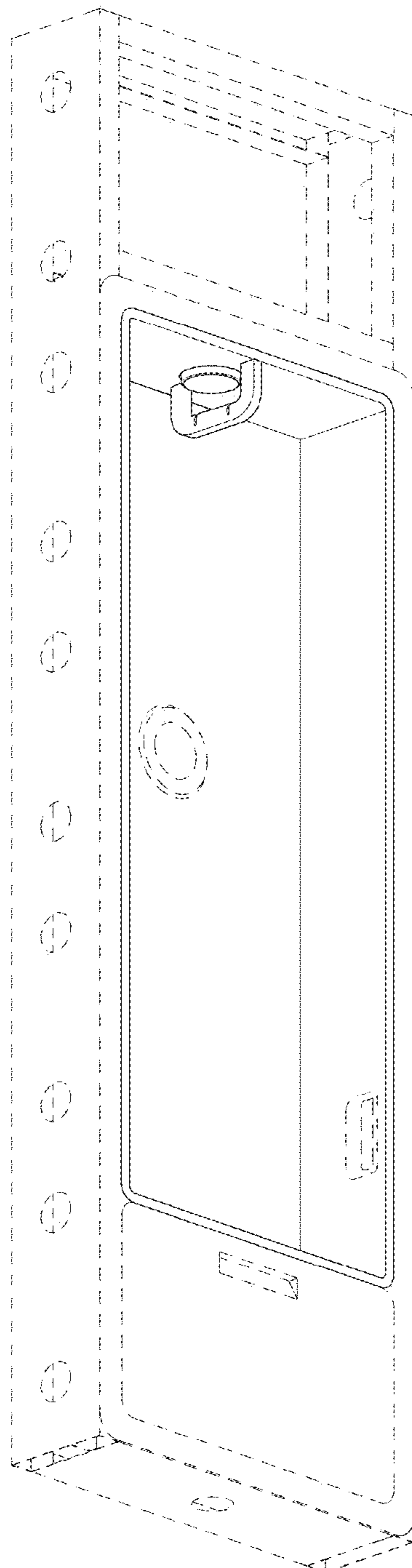


FIG. 3

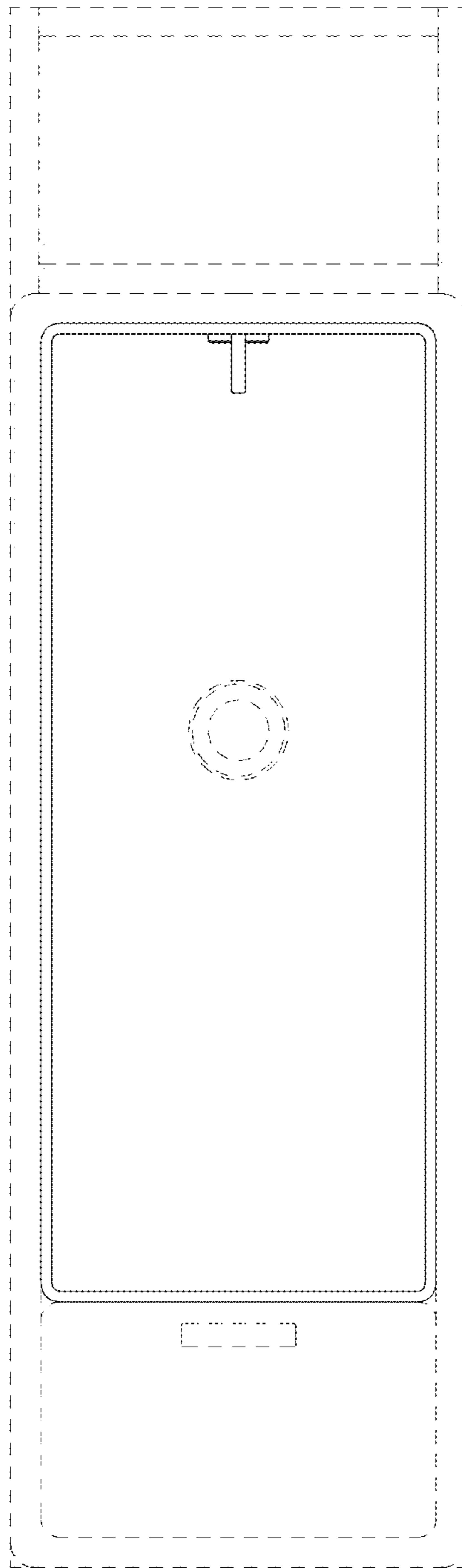


FIG. 4

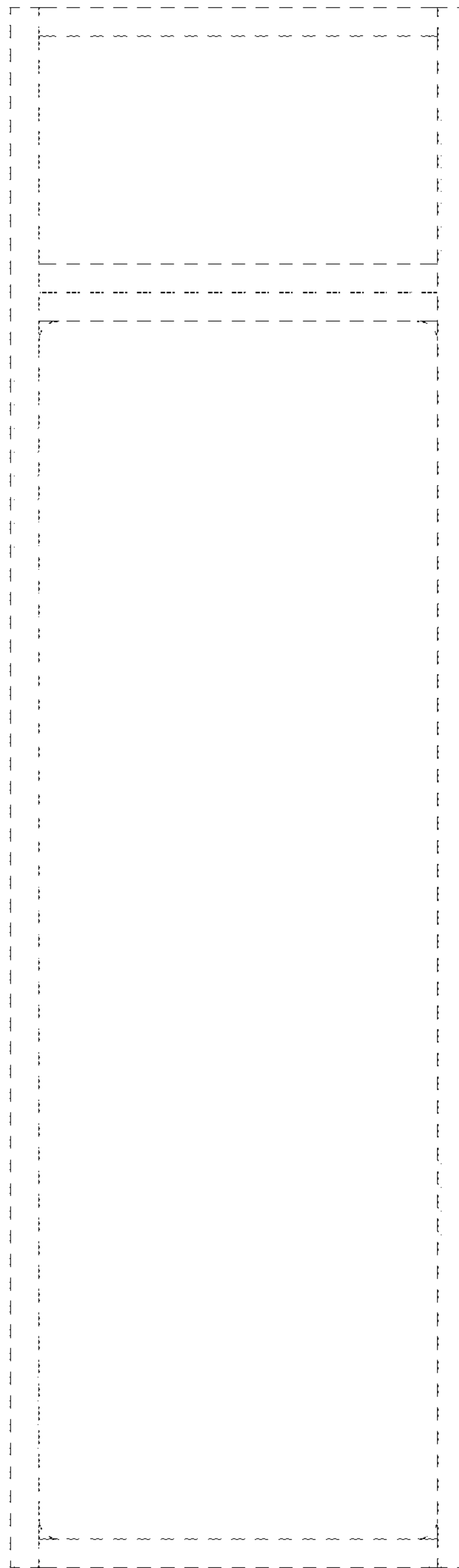


FIG. 5

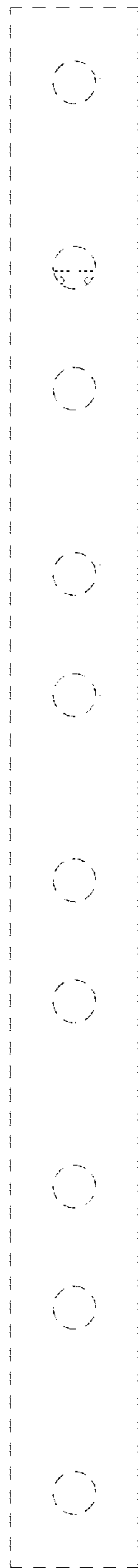


FIG. 6





FIG. 7

